

LINTEL & EMBED FRAMING PLAN - ALL AREAS
SCALE: .06" = 1'-0"

MARK	SHAPES*	SIZES	MIN. BRG. EACH W/	REMARKS
L-1	JL	(3) L6x3-1/2x3/8	8"	
L-2	I	W8x18 w/ PL 3/8x11	12"	PLATE TO BE 1" LESS THAN EXIST. WALL WIDTH 1/2" EACH SIDE
L-3	JL	(3) L3-1/2x3-1/2x5/16	8"	
L-4	JL	(2) L6x3-1/2x3/8	8"	
L-5	5 1/2" 5 3/4"	W8x15 w/ PL 3/8x11	8"	PLATE TO BE 1" LESS THAN EXIST. WALL WIDTH 1/2" EACH SIDE
L-6	JL	(2) L6x3-1/2x 3/8 (1) L6x3-1/2x3/8 W/BAR 1/4x1-1/2	8"	
L-7	JL	(2) L4x3-1/2x 5/16 (1) L4x3-1/2x5/16 W/BAR 1/4x1-1/2	8"	OMIT BARS AT WINDOWS IN ROOM 700
L-8	EO EQ	W12x22 w/PL 5/16x7	12"	
L-9	4 3/8" 8 3/8"	W8x18 w/PL 3/8x13	12"	

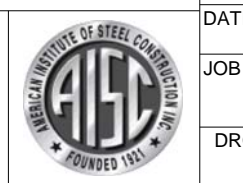
NOTE:
ALL EXTERIOR WALL LINTELS ARE GALVANIZED

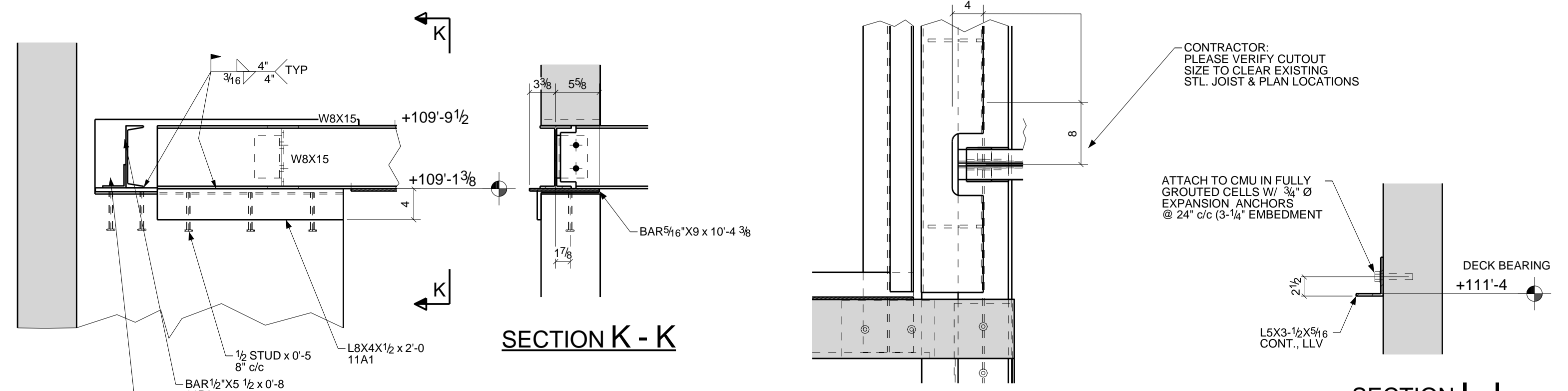
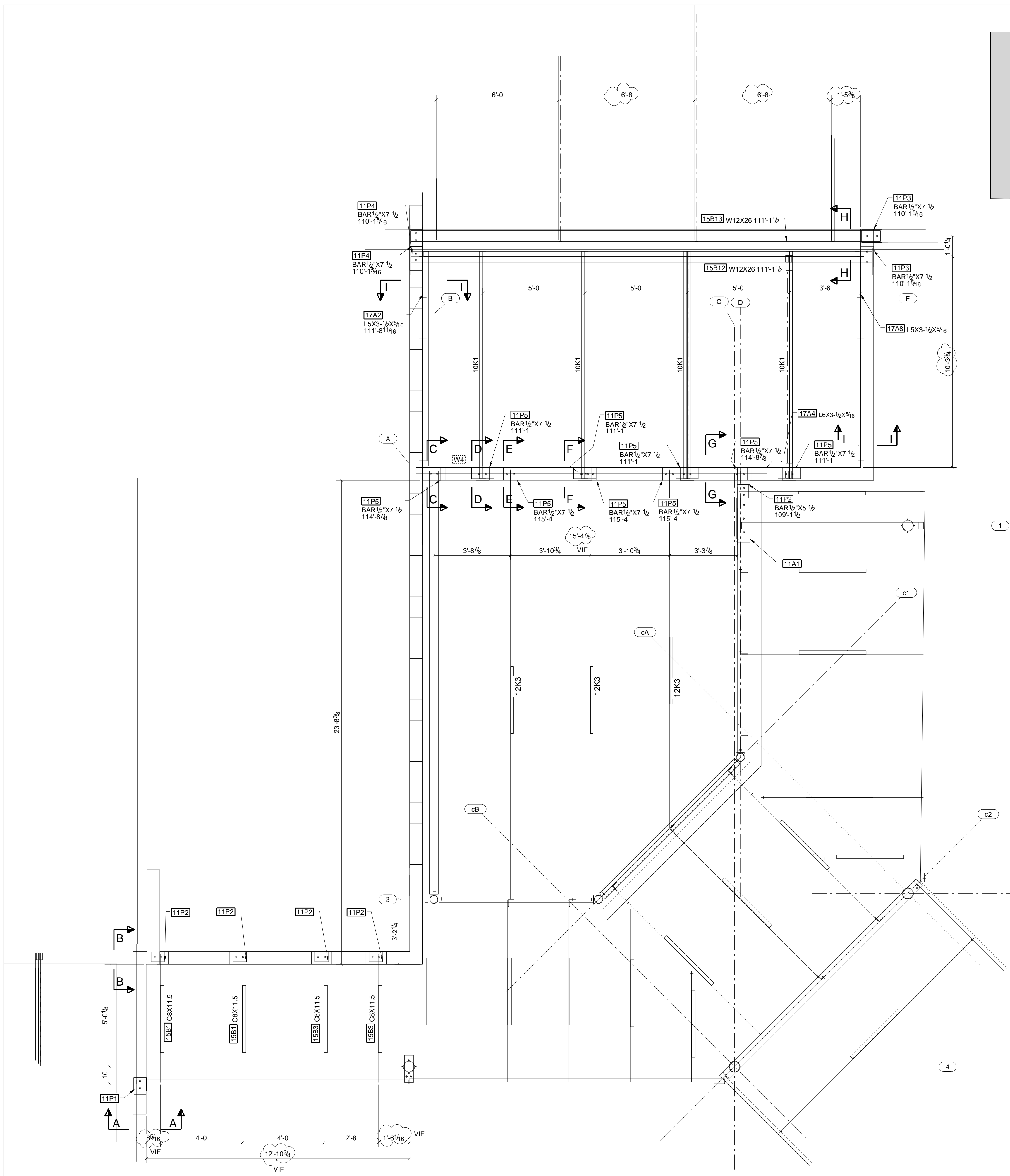
WORK THESE DRAWINGS WITH:
 -
 -
 E:\EngineeringJobs\TITANGENT_FILES\TAN-001_ROSS_MIDDLE_SCHOOL\TAN-001_SUBMITTALS\TAN-001_RELEASED\ROSS_10-10_FABRICATION_EMBEDS_Binder1.pdf
 -
 -
 FOR EMBED DETAILS

This project shall be erected in accordance with Section 7 of the AISC Code of Standard Practice, which includes 7.14 Correction of Errors, that states the following:
 The corrections of minor misfits by moderate reaming, grinding, welding or cutting, and the drawing of elements into line with drill pins, shall be considered to be normal erection operations. Errors that cannot be corrected using the foregoing means, or that require major changes in member or connection configuration, shall be promptly reported to the owner's representatives for design and construction, and the fabricator by the erector, to enable the responsible entity to either correct the error or approve the most efficient and economical method of correction to be used by others.
 All field welds to be made with E70xx low hydrogen electrodes

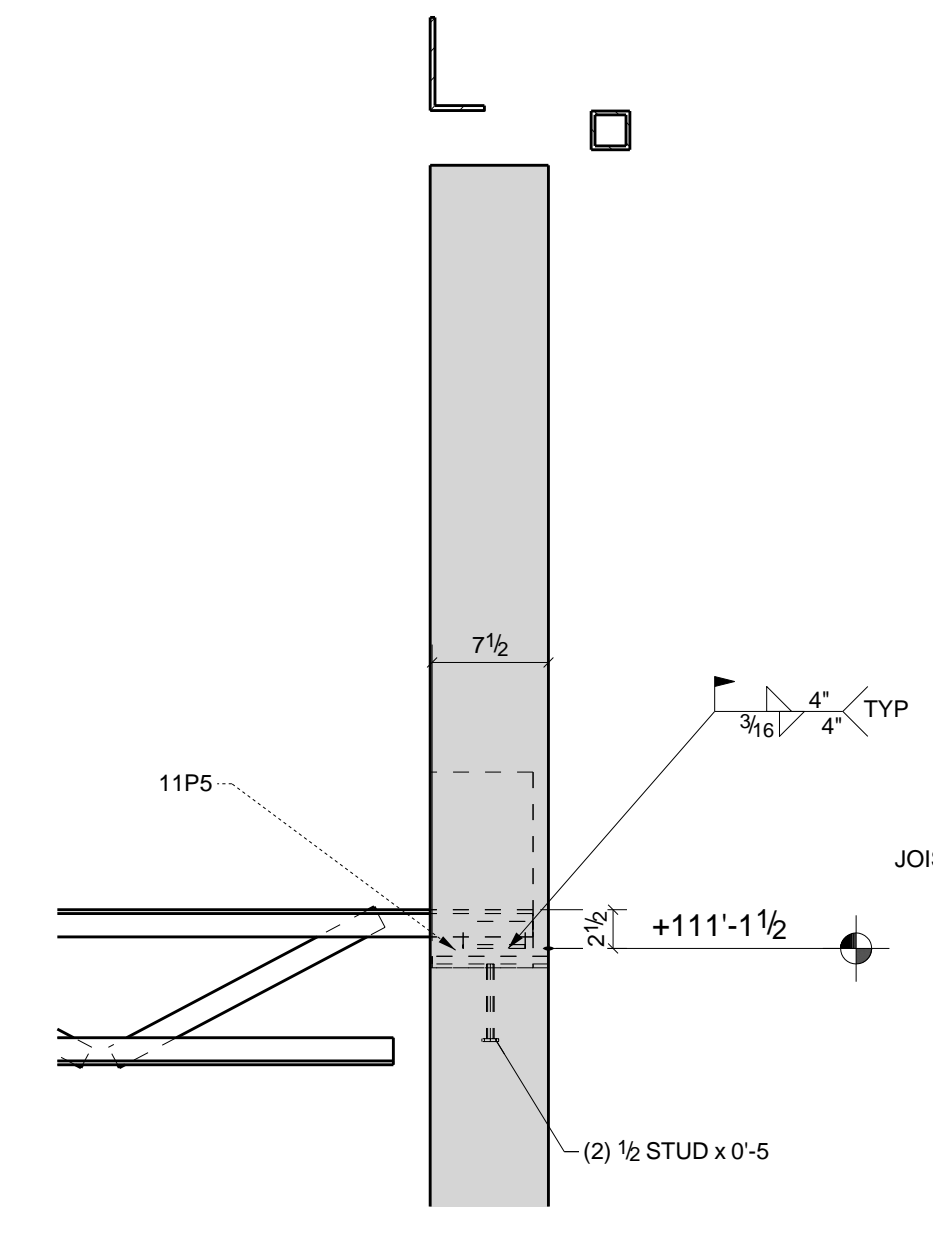
0	For Fabrication F&F	6/24/10	TMc	TH
A	For Approval	05/13/10	TMc	
REV.	DESCRIPTION	DATE	DWN	CHK
GENERAL NOTES				
MATERIAL: A992 / A36 UN		ELECTRODES: E70XX LH		REF. DRG.
HOLES: 13/16 DIA. UN		CONNS: -		A006, A101-A104
SURFACE PREP. AND PAINT:		SHOP		
SSPC-SP-2		APPROVAL		
GREY PRIMER DEVOE NA-195 (U.N.)				
DESCRIPTION: LINTEL & EMBED FRAMING PLAN - ALL AREAS				
PROJ. NAME	Ross Middle School Addition/Remodel	DRAWN BY	TMc	
LOCATION	Ross Local School District - Hamilton, OH	DATE	05/09/2010	
CONTRACTOR	Endeavor	ARCH/ENG.	SHP	
		DATE	05/08/2010	
		JOB No.	10-11	
		DRG. No.	E1	
		REV.	0	

Avenue Fabricating Inc.
 1281 Clough Pike
 Batavia, OH 45103
 (513) 752-1911

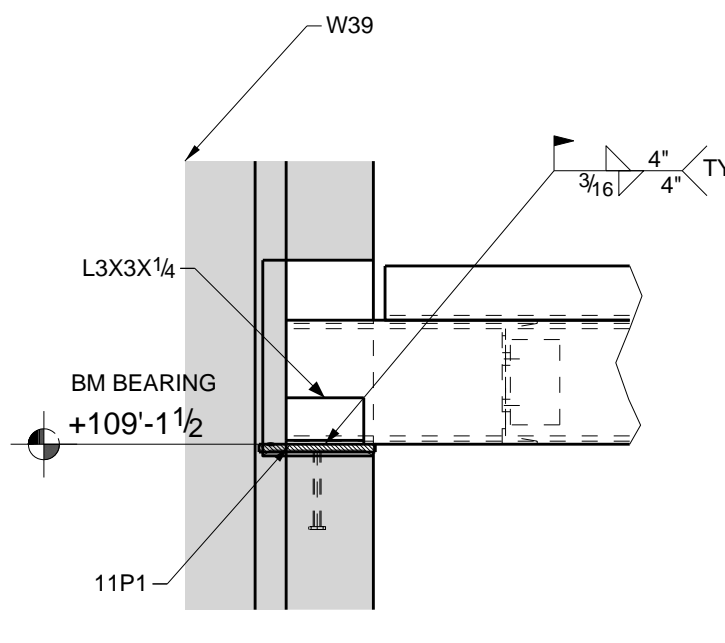




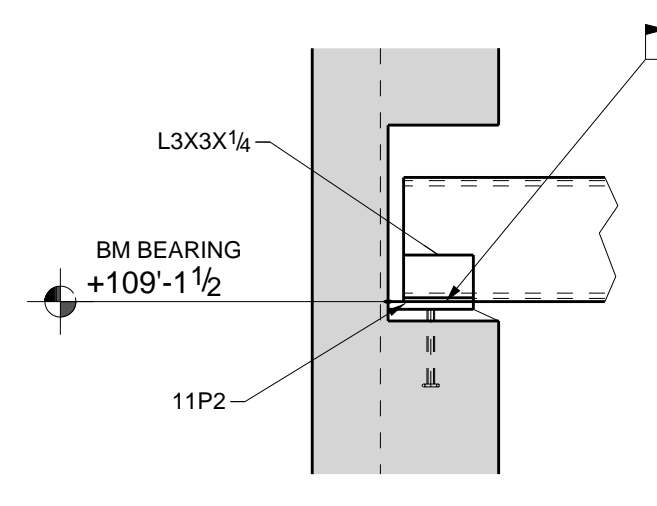
SECTION G - G



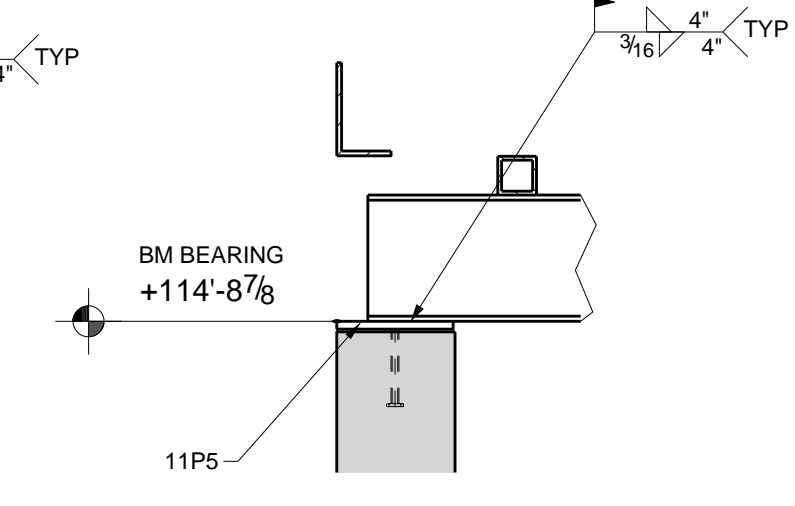
SECTION D - D



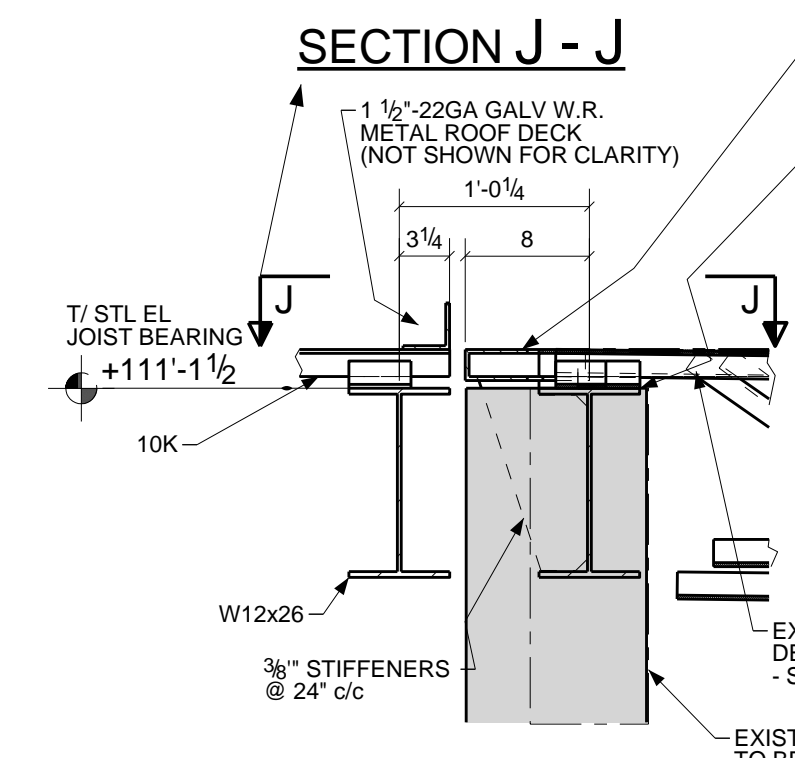
SECTION A - A



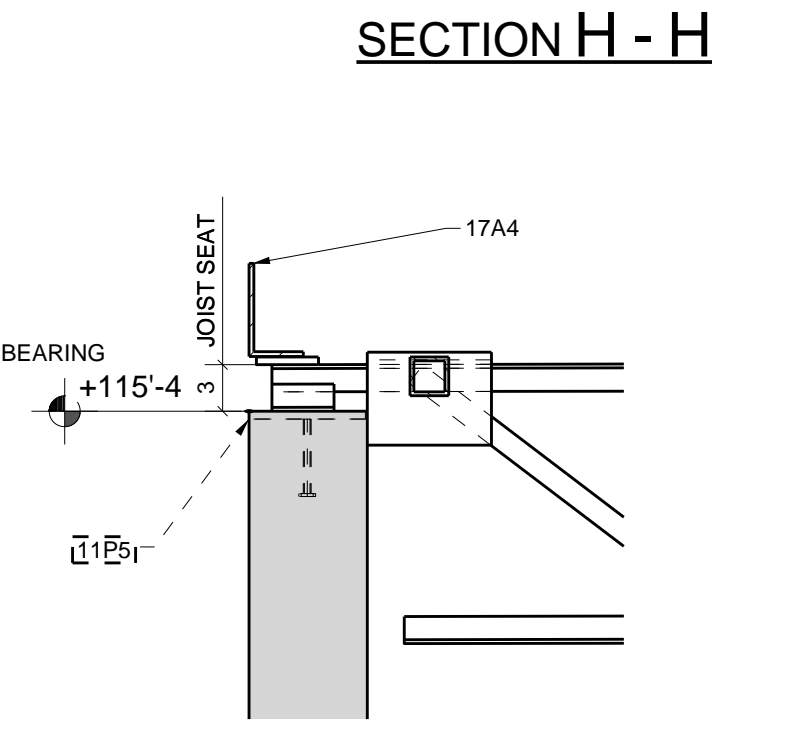
SECTION B - B



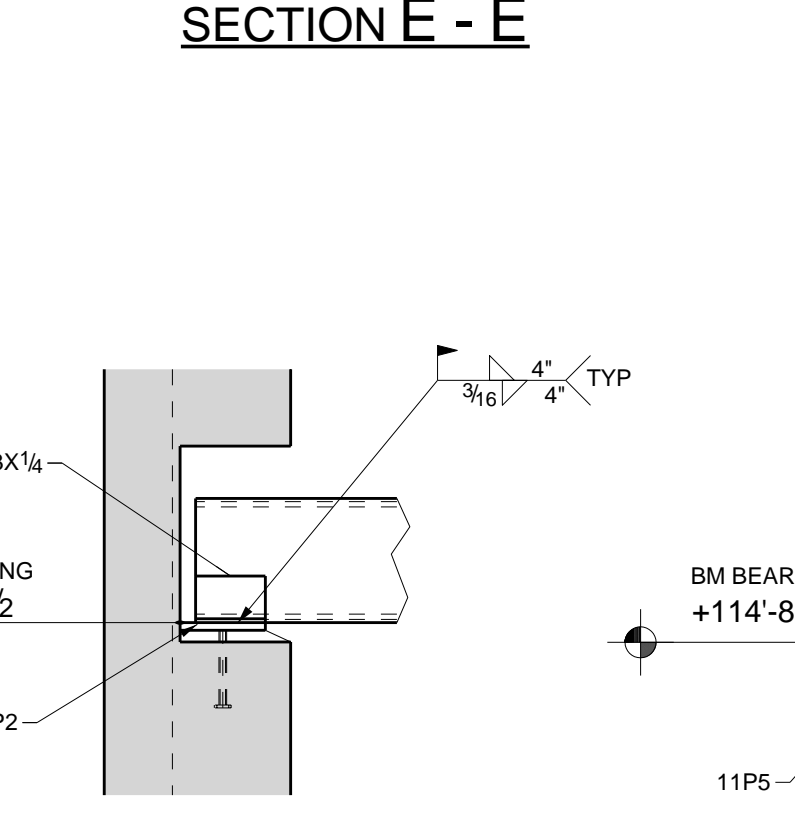
SECTION C - C



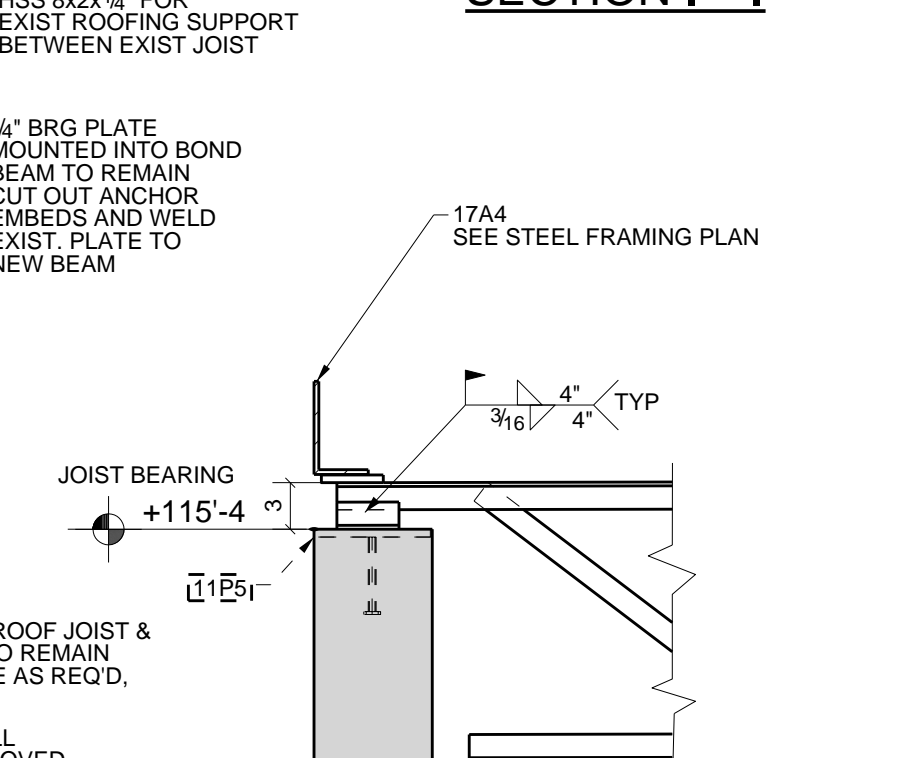
SECTION J - J



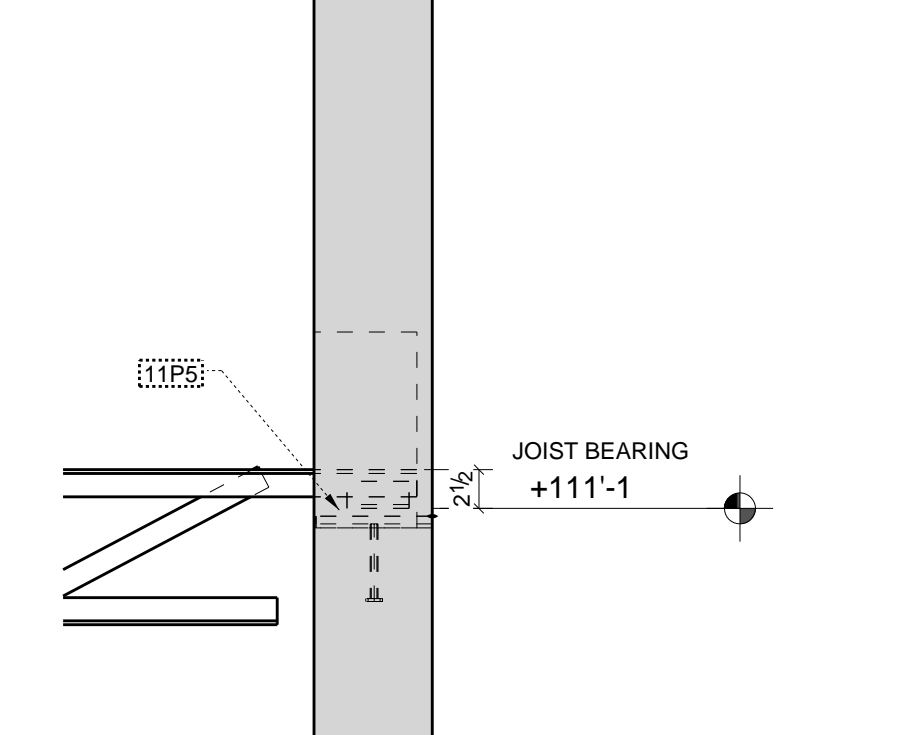
SECTION H - H



SECTION E - E



SECTION I - I

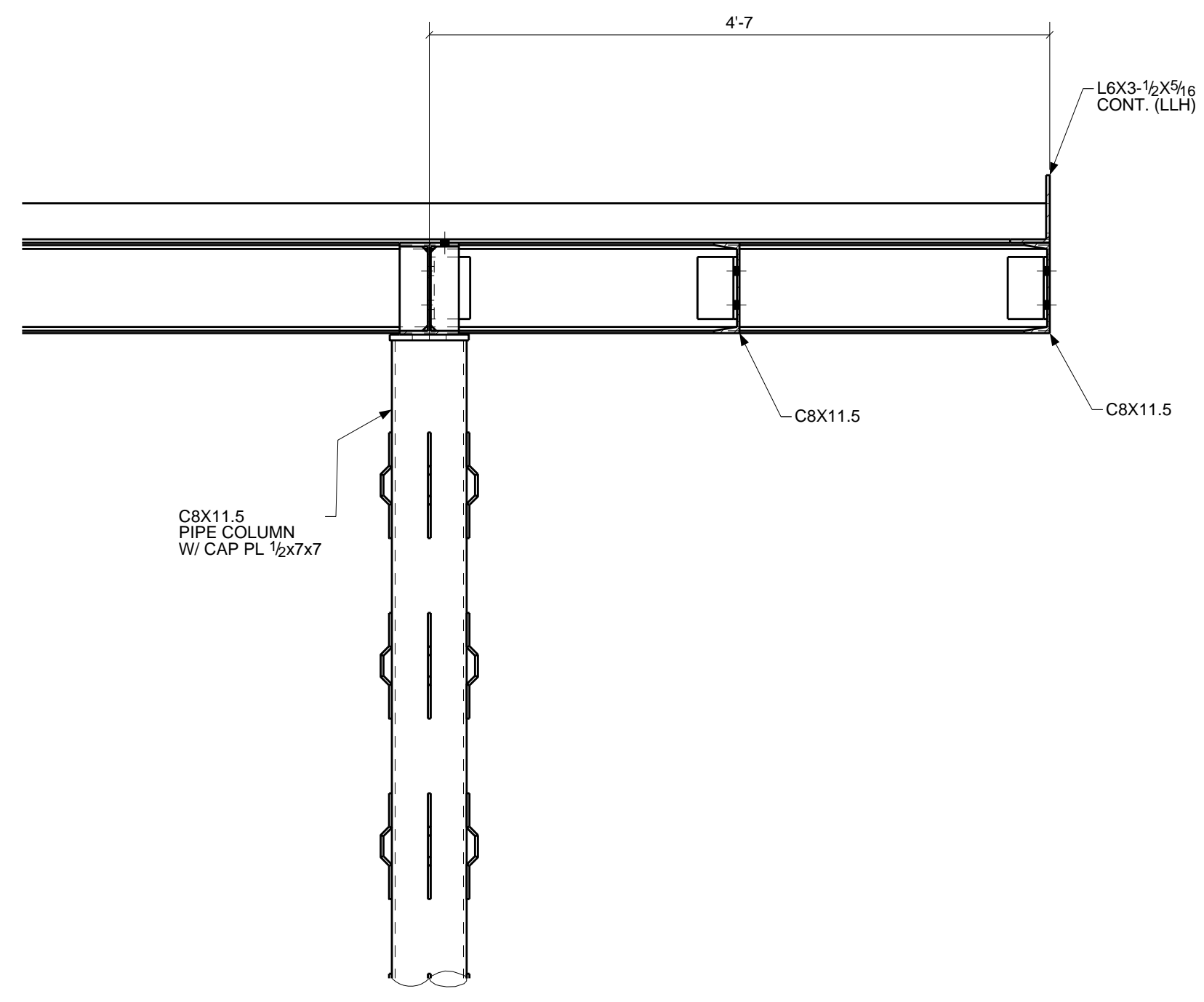
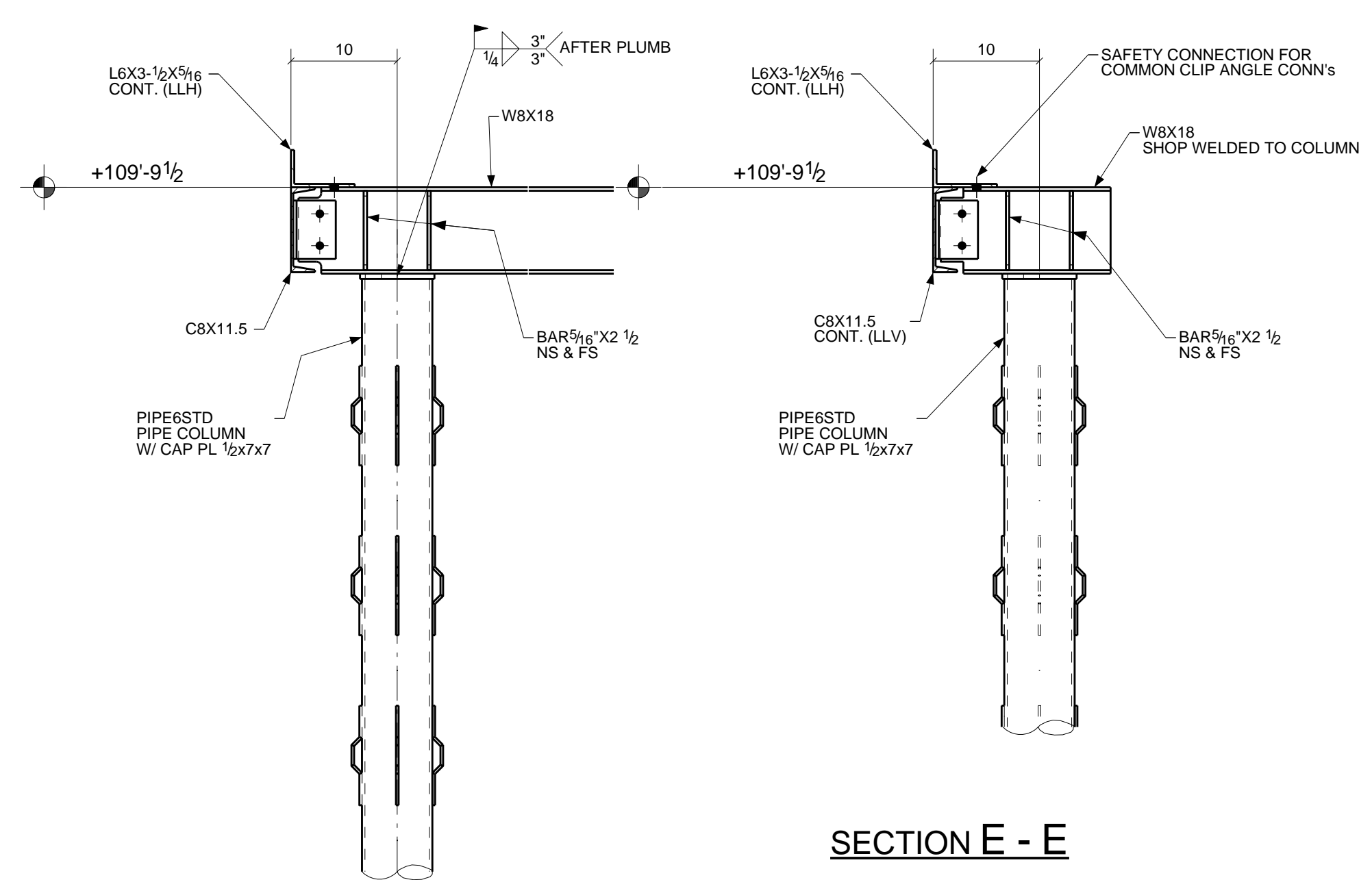
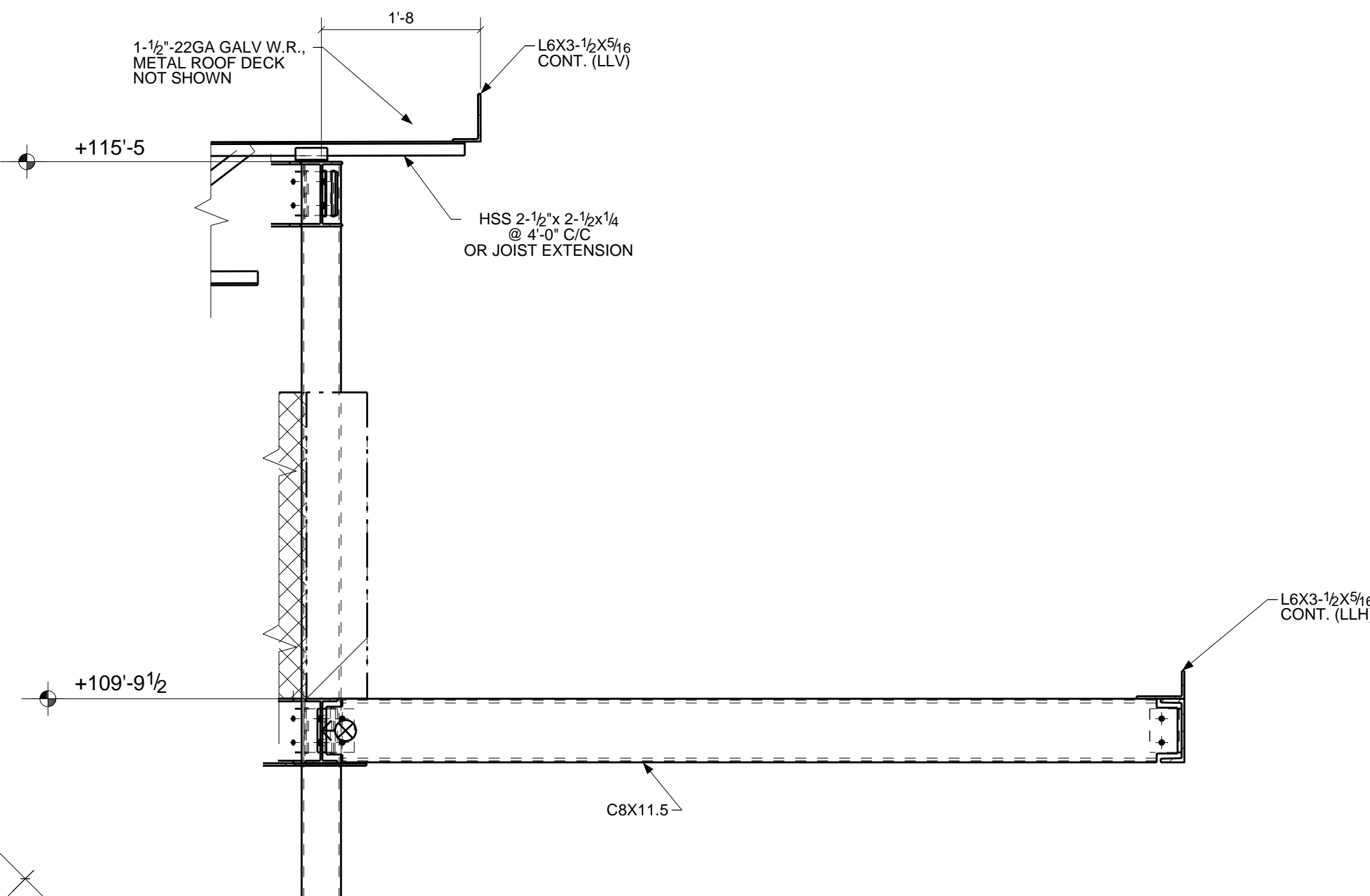
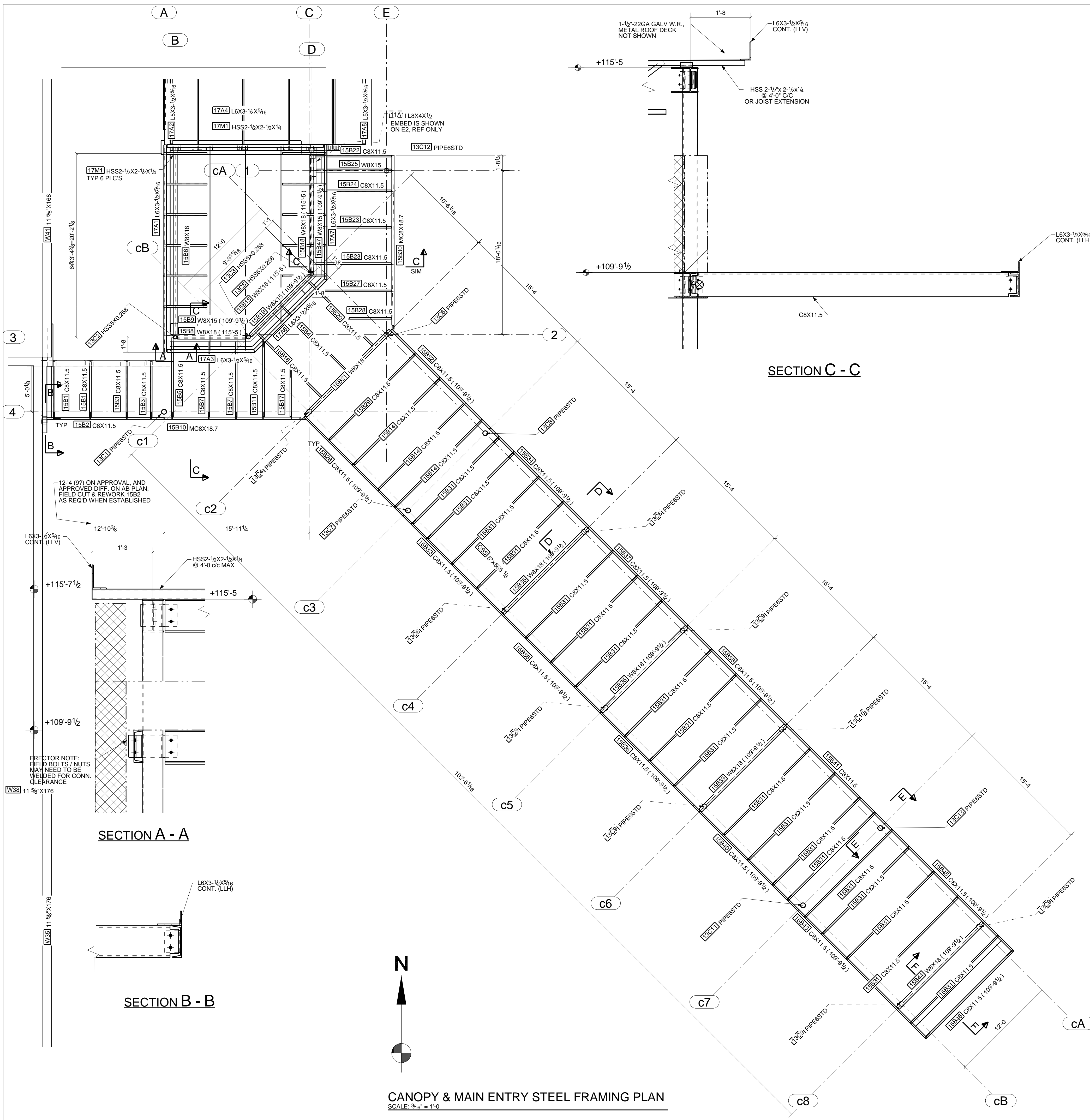


SECTION F - F

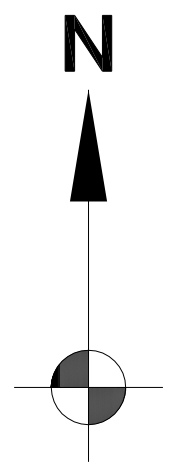
NOTE:
SEE DRAWINGS E1 & AB1 FOR TYPICAL NOTES USED THROUGHOUT.

REV.	DESCRIPTION	DATE	DWN	CHK
0	For Fabrication F&F	6/24/10	TMc	TH
A	For Approval	05/13/10	TMc	

GENERAL NOTES			
MATERIAL: A992 / A36 U/N	ELECTRODES: E70XX LH	REF. DRG.	
HOLES: 13/16 DIA. U/N	CONNS: -	--	
SURFACE PREP. AND PAINT:			
SSPC-SP-2			
GREY PRIMER DEVOE NA-195 (U.N.)			
DESCRIPTION: EMBEDDED ITEMS @ MAIN ENTRY			
PROJ. NAME	Ross Middle School Addition/Remodel	DRAWN BY	TMc
LOCATION	Ross Local School District - Hamilton, OH	DATE	05/10/2010
CONTRACTOR	Endeavor	ARCH/ENG.	SHP
Avenue Fabricating Inc.		DATE	05/08/2010
1281 Clough Pike		JOB No.	10-11
Batavia, OH 45103		DRG. No.	E2
(513) 752-1911		REV.	0

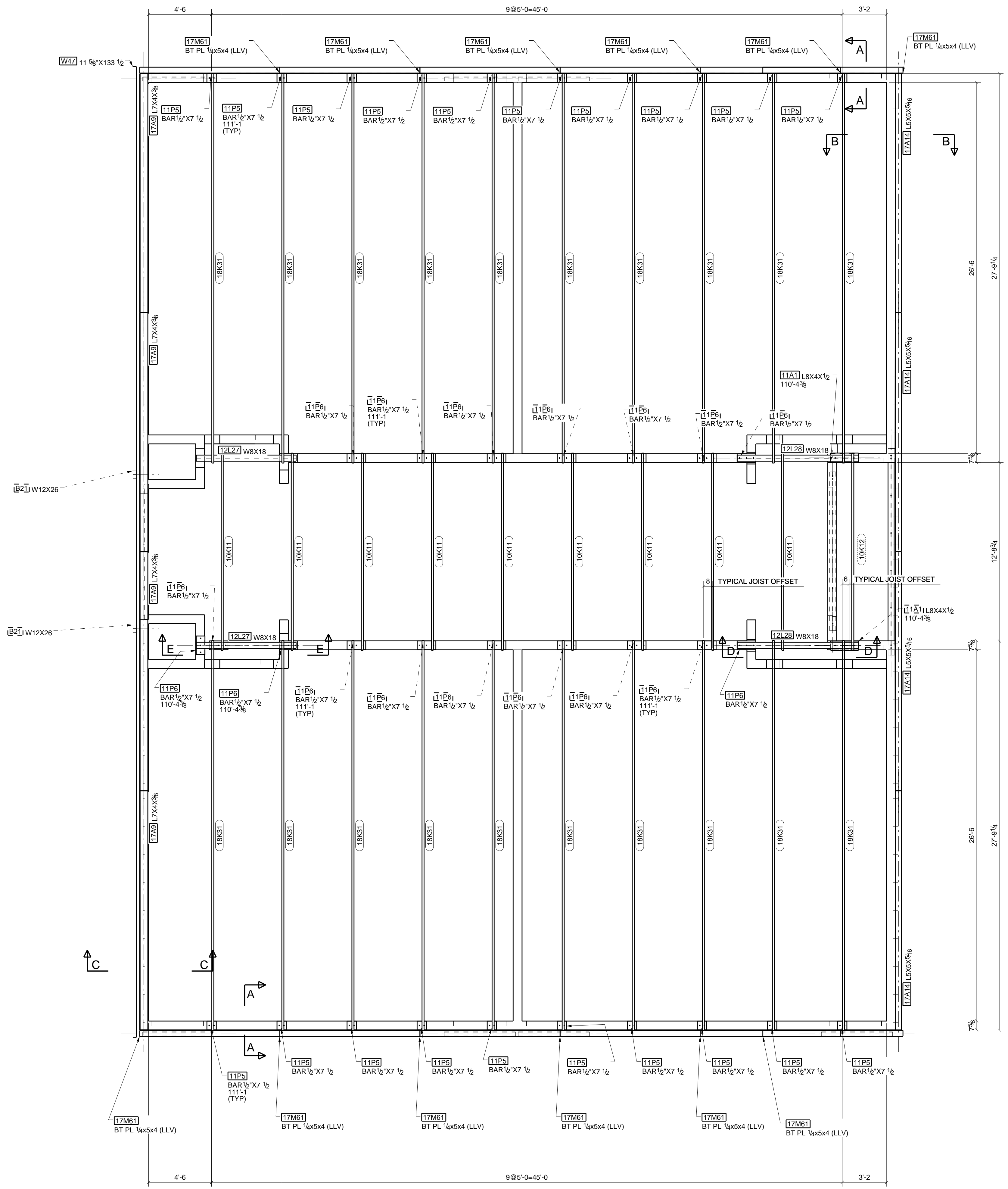


- NOTE:
- SEE DRAWINGS E1 & AB1 FOR TYPICAL NOTES USED THROUGHOUT. -

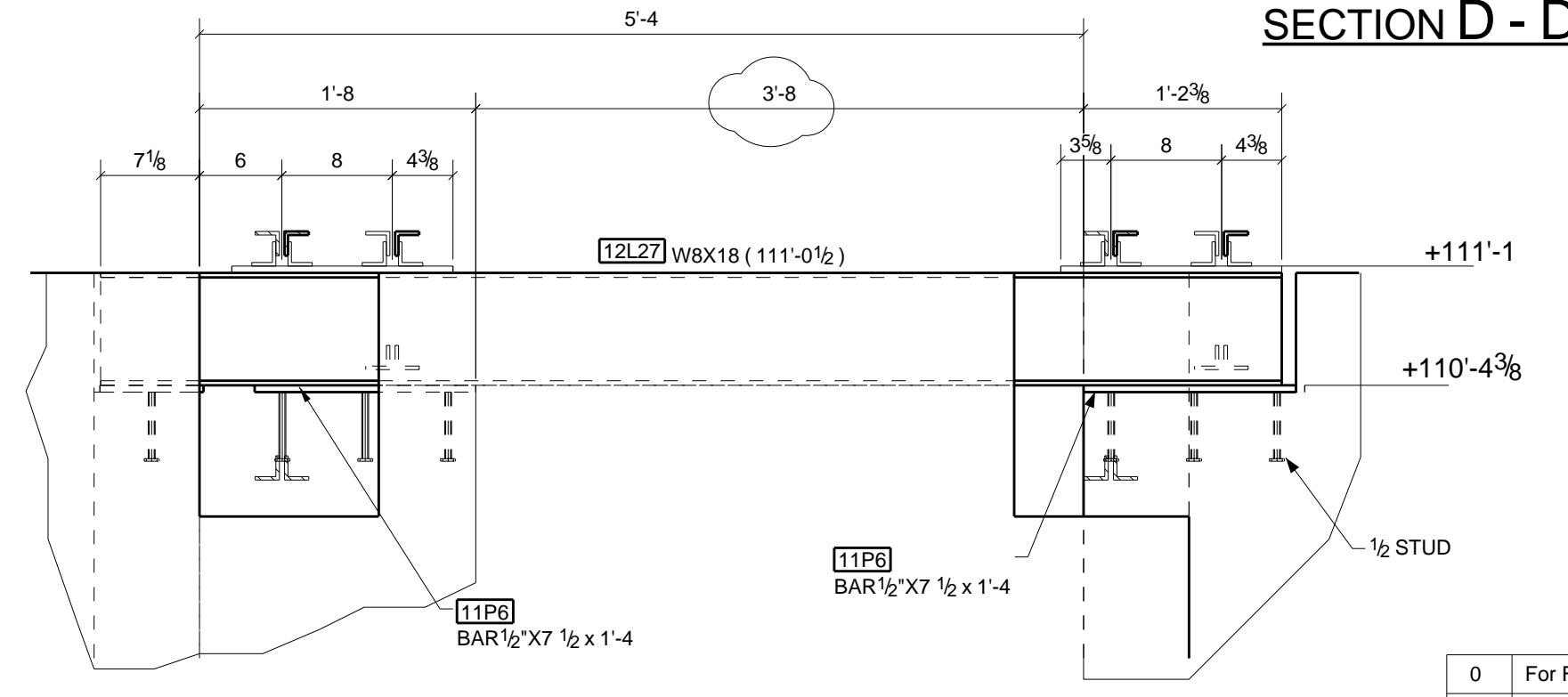
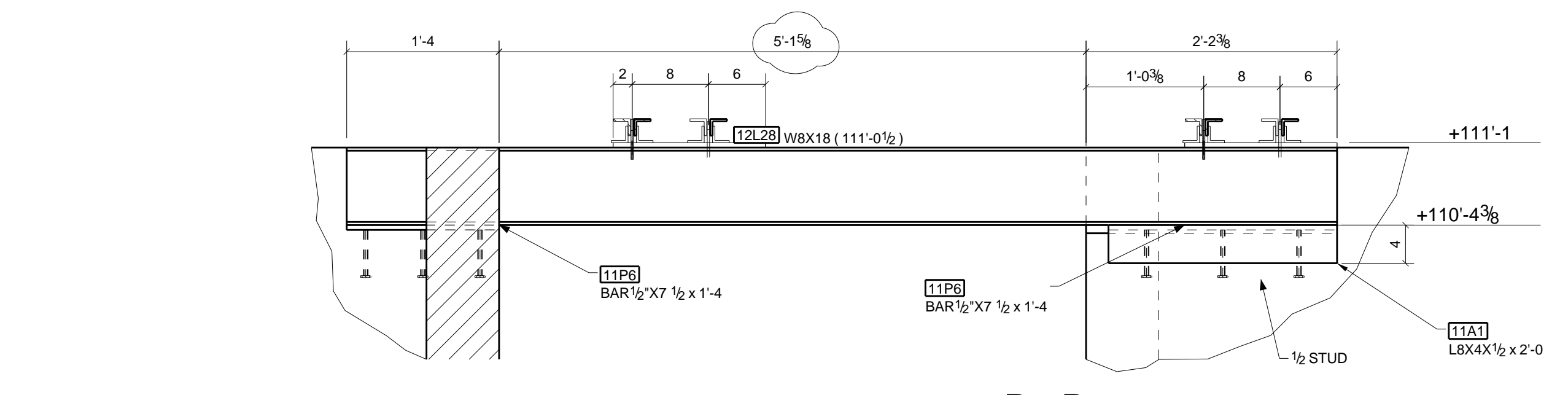
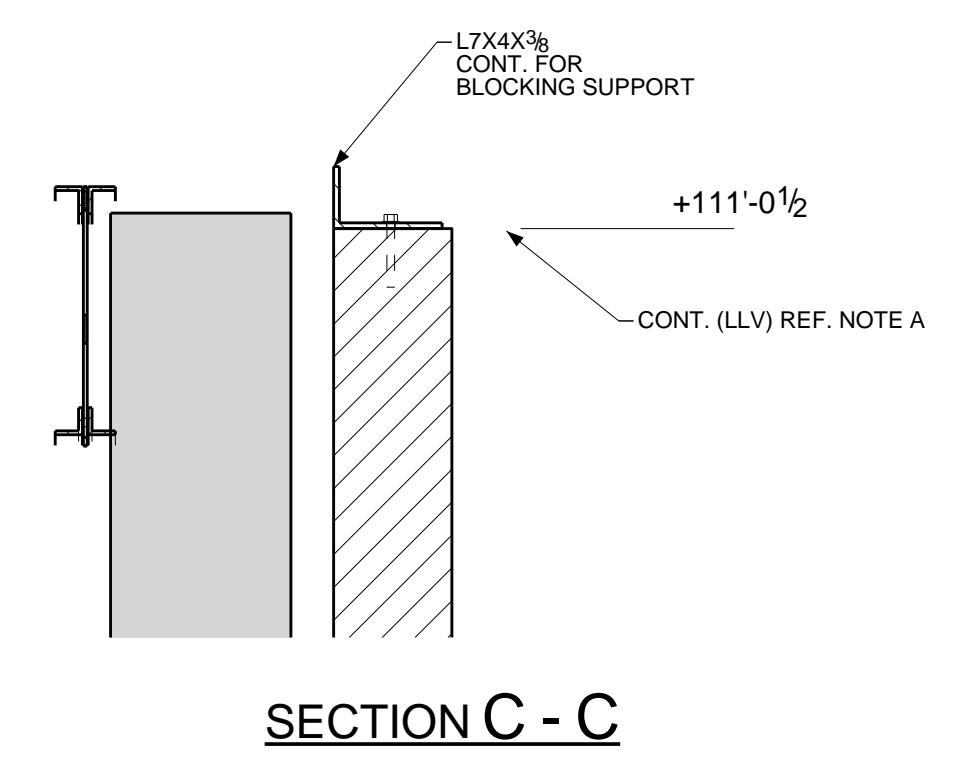
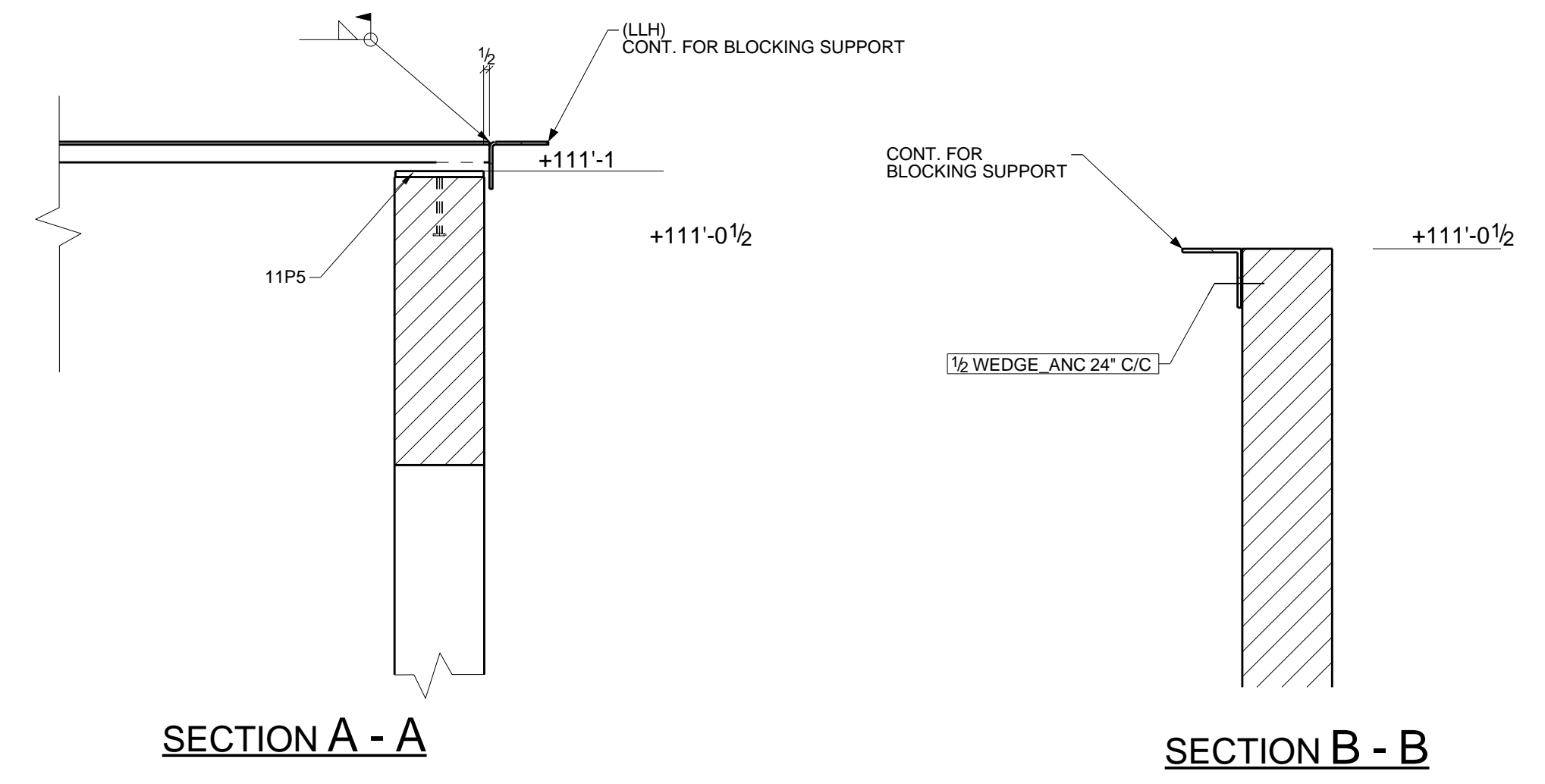


CANOPY & MAIN ENTRY STEEL FRAMING PLAN
SCALE: 3/8" = 1'-0"

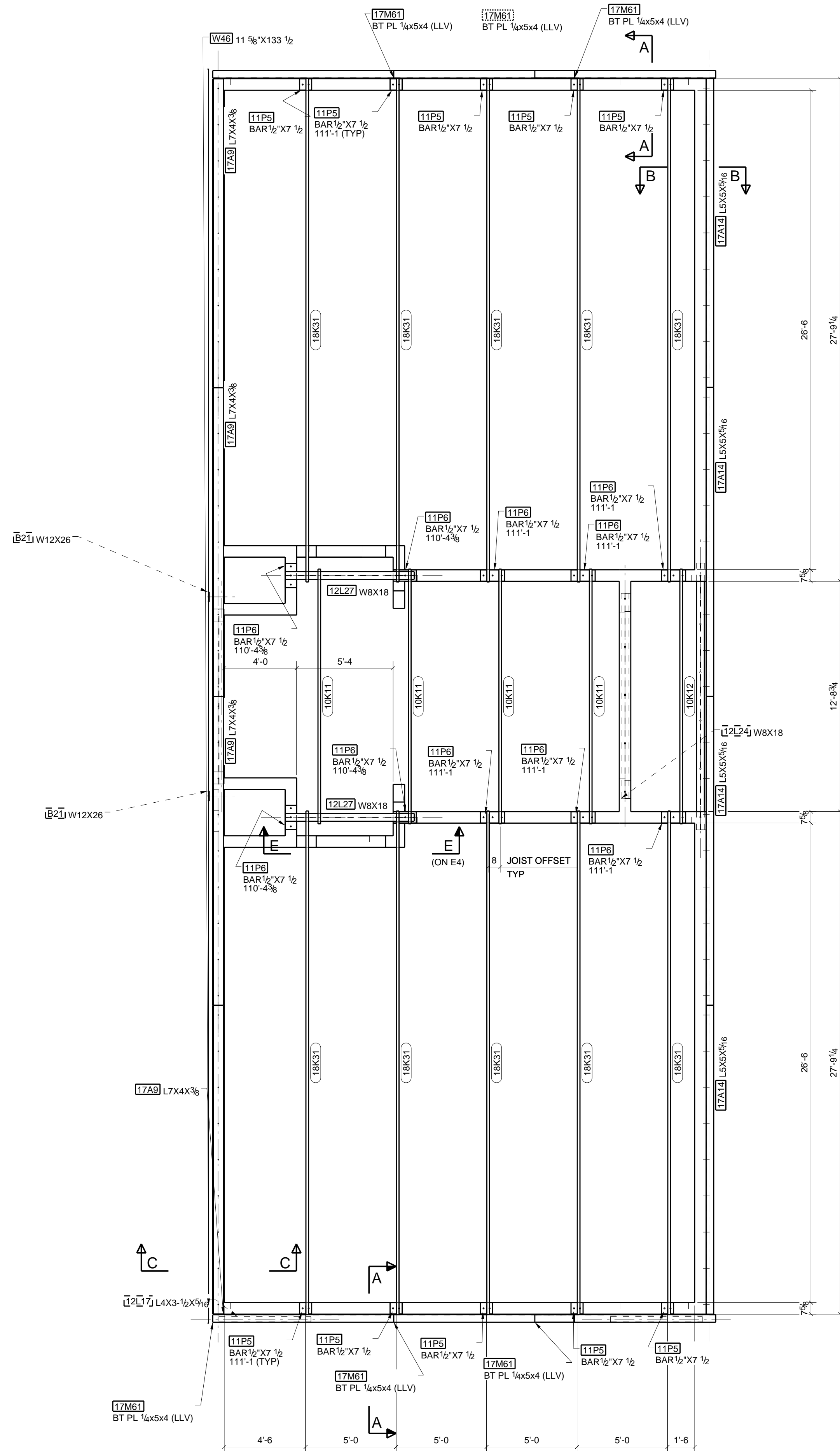
0	For Fabrication F&F	6/24/10	TMc	TH
A	For Approval	05/13/10	TMc	
REV.	DESCRIPTION	DATE	DWN	CHK
GENERAL NOTES				
MATERIAL: A992 / A36 U/N	ELECTRODES: E70XX LH	REF. DRG.		
HOLE: 13/16 DIA. U/N	CONNS: -	ELEV'S 109'-9-1	SHOP	
SURFACE PREP. AND PAINT:	SSPC-SP-2 GREY PRIMER DEVCO NA-195 (U.N.)		APPROVAL	
DESCRIPTION: ROOF FRAMING PLAN - MAIN ENTRY & CANOPY				
PROJ. NAME	Ross Middle School Addition/Remodel	DATE	04/27/2010	
LOCATION	Ross Local School District - Hamilton, OH	CHKD. BY		
CONTRACTOR	Endeavor	ARCH./ENG.	SHP	
DRAWN BY				
JOB No. 10-11				
DATE				
1281 Clough Pike				
Batavia, OH 45103				
(513) 752-1911				
DRG. No.	E3	REV.	0	



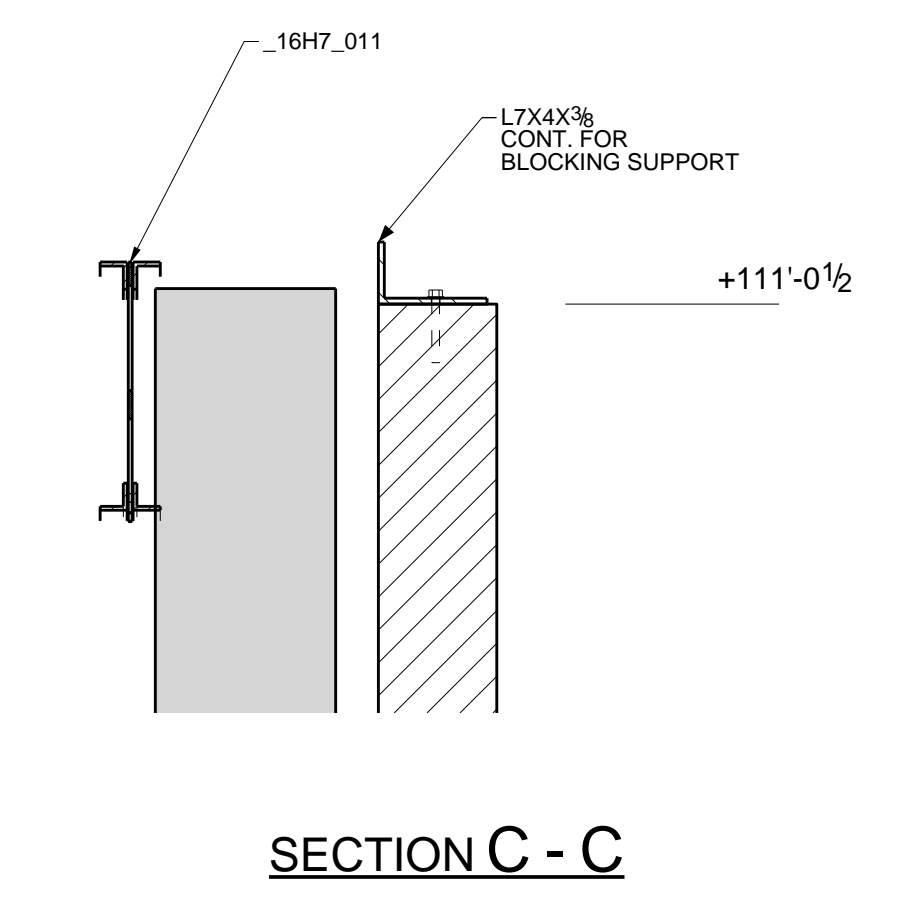
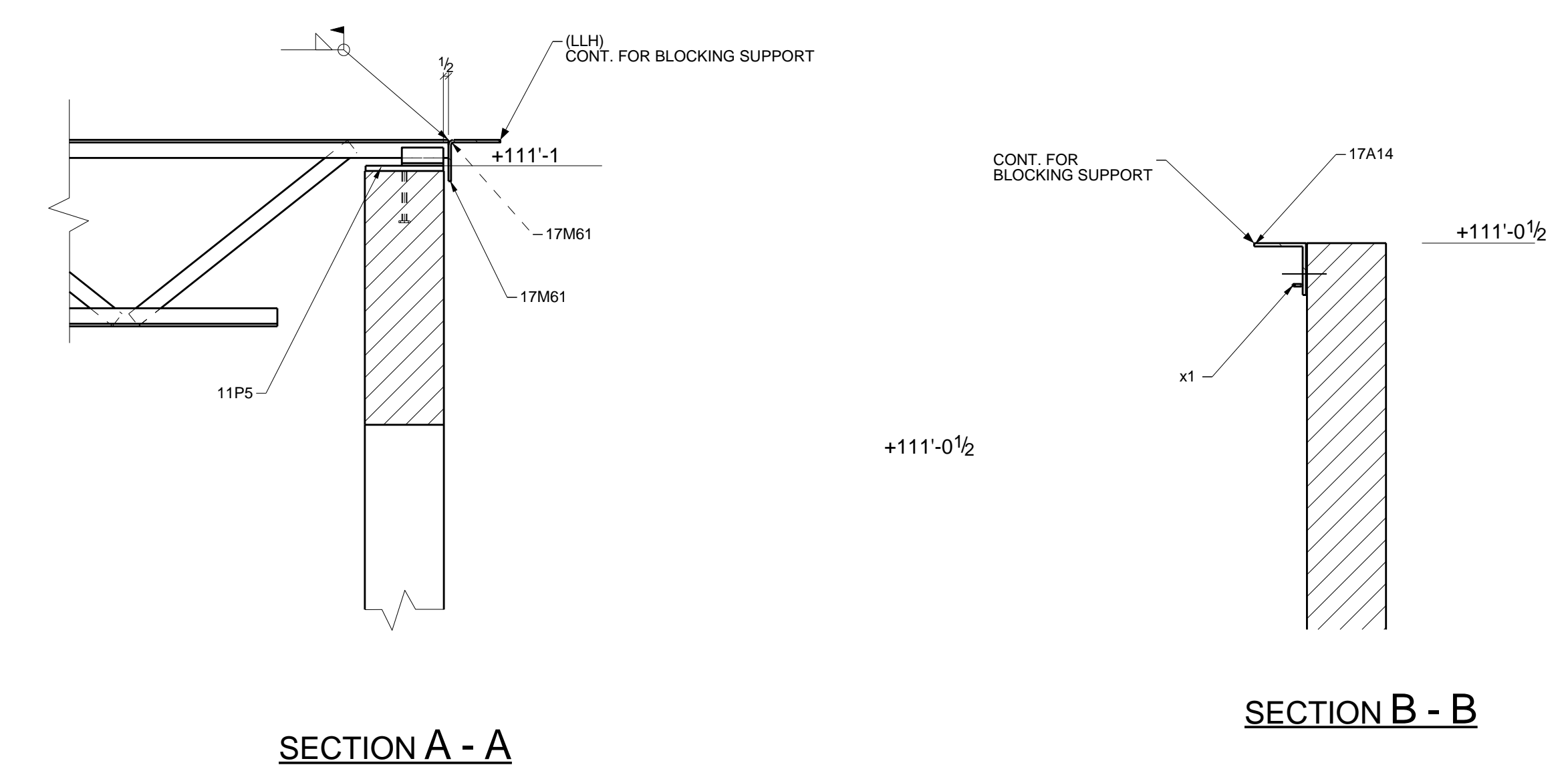
ROOF FRAMING PLAN AREA D ~ ALTERNATE 2




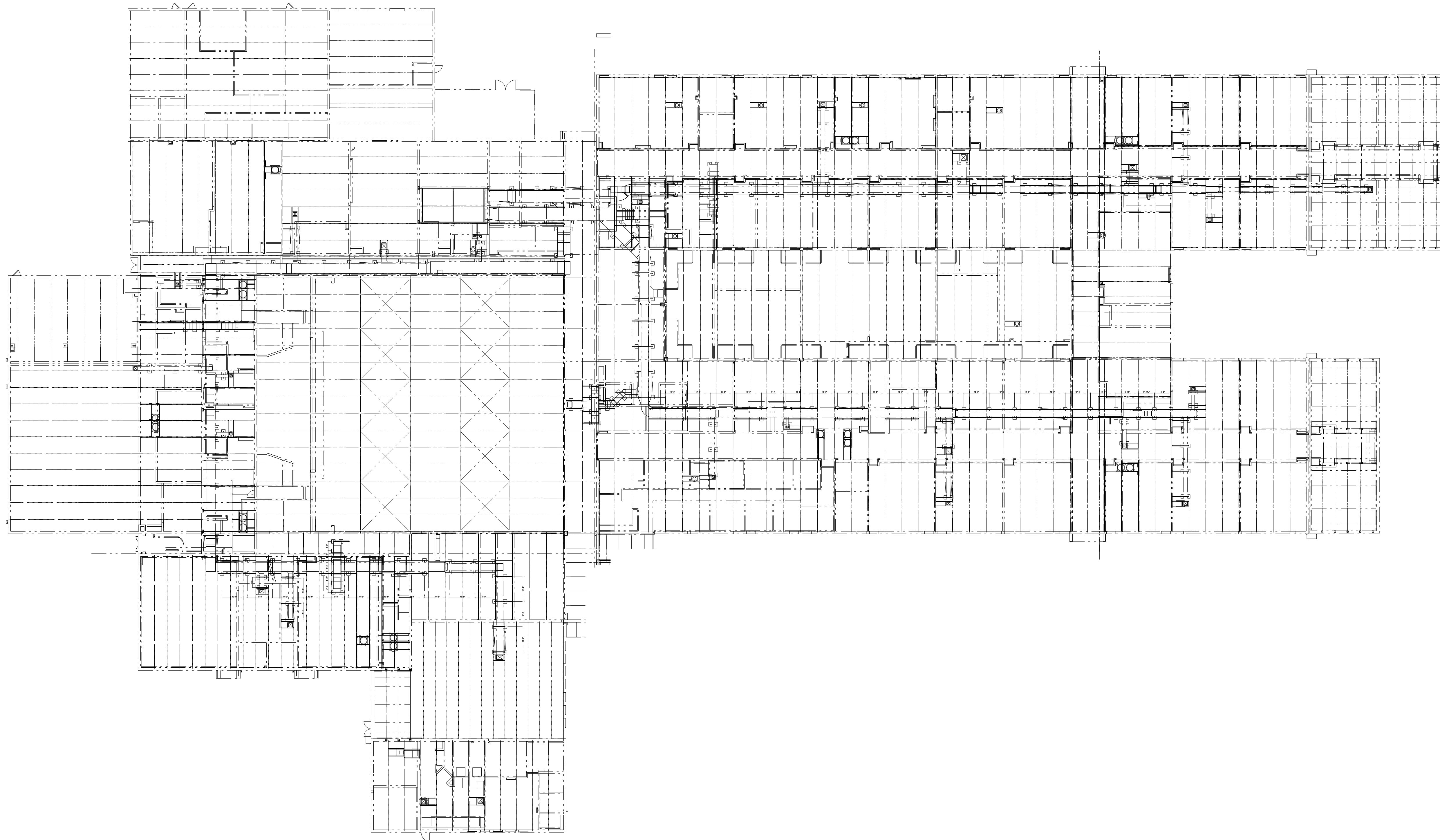
0	For Fabrication F&F	6/24/10	TMc	TH
A	For Approval	05/13/10	TMc	
REV.	DESCRIPTION	DATE	DWN	CHK
GENERAL NOTES				
MATERIAL: A992 / A36 UN		ELECTRODES: E70XX LH		REF. DRG.
HOLES: 13/16 DIA. UN		CONNS: -		
SURFACE PREP. AND PAINT:		SHOP		
SSPC-SP-2		APPROVAL		
GREY PRIMER DEVCO NA-195 (U.N.)				
DESCRIPTION: ROOF FRAMING PLAN AREA D ~ ALT. 2				
PROJ. NAME: Ross Middle School Addition/Remodel		DRAWN BY: TMc		
LOCATION: Ross Local School District - Hamilton, OH		DATE: 05/14/2010		
CONTRACTOR: Endeavor		ARCH./ENG.: SHP		
Avenue Fabricating Inc.		DATE:		
1281 Clough Pike		JOB No.:		
Batavia, OH 45103		10-11		
(513) 752-1911		DRG. No. E4		
		REV. 0		



ROOF FRAMING PLAN AREA D ~ ALTERNATE 1



0	For Fabrication F&F	6/24/10	TMc	TH
A	For Approval	05/13/10	TMc	
REV.	DESCRIPTION	DATE	DWN	CHK
GENERAL NOTES				
MATERIAL: A992 / A36 UN		ELECTRODES: E70XX LH	REF. DRG.	JOB USE
HOLES: 13/16 DIA. UN		CONNS: -		SHOP
SURFACE PREP. AND PAINT:				APPROVAL
SSPC-SP-2				
GREY PRIMER DEVOE NA-195 (U.N.)				
DESCRIPTION: ROOF FRAMING PLAN AREA D ~ ALT. 1				
PROJ. NAME	Ross Middle School Addition/Remodel	DRAWN BY	TMc	
LOCATION	Ross Local School District - Hamilton, OH	DATE	05/14/2010	
CONTRACTOR	Endeavor ARCH./ENG. SHP	CHKD. BY	TAN	
		DATE		
Avenue Fabricating Inc. 1281 Clough Pike Batavia, OH 45103 (513) 752-1911				JOB No. 10-11 DRG. No. E5 REV. 0



OVERALL ROOF PLAN
1:256

REFERENCE STRUCTURAL FRAMING DRAWINGS S300-S303;S401-S402.

*TYPICAL DUCT SUPPORT FRAME NOTE: (Applies to all Roof Framing Sheets)

DUCT SUPPORT FRAMES AND LOCATIONS ARE SHOWN DIAGRAMMATICALLY ON PLANS

SUPPORT FRAME LOCATIONS MUST BE FIELD VERIFIED AND BE PLACED DIRECTLY ABOVE AN EXISTING OR NEW STRUCTURAL MEMBER (TYPICAL). *

THE EXISTING STRUCTURE HAS BEEN ANALYZED FOR THE ADDITIONAL LOADS ASSOCIATED WITH THE NEW EQUIPMENT IN THE LOCATIONS SHOWN ON THIS PLAN. ANY DEVIATION FROM THIS LAYOUT SHALL BE BROUGHT TO THE ATTENTION OF THE STRUCTURAL ENGINEER AND RE-ANALYZED AS REQUIRED. COSTS ASSOCIATED WITH THESE CHANGES INCLUDING RE-ENGINEERING OR ADDITIONAL REINFORCING COSTS SHALL BE ABSORBED BY THE CONTRACTOR.

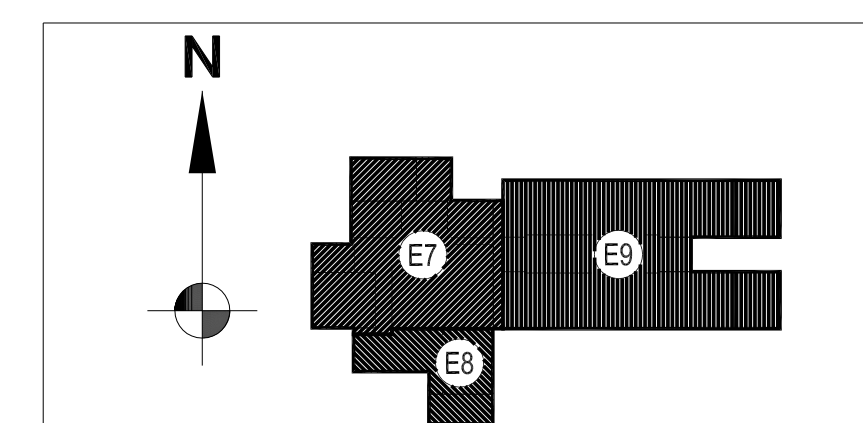
FABRICATOR TO GENERAL CONTRACTOR / APPROVER:

IT IS THE INTENT OF THESE PLANS TO SHOW ALL REQUIRED NEW FRAMING LOCATIONS AND SIZES BELOW THE ROOF DECK. THE TYPICAL CONDITIONS FOR SUPPORTING THE DUCT SUPPORT FRAMES ON NEW AND OR EXISTING STRUCTURE ARE DEPICTED FROM THE DESIGN DRAWINGS. MINOR VARIATIONS ARE TO BE EXPECTED.

ALL EXISTING CONDITIONS SHOWN HERE ARE FROM COORDINATING AVAILABLE EXISTING DRAWINGS WITH THE CONTRACT DRAWINGS - THE DETAILS ARE FOR PLACEMENT, CONNECTION METHODS AND EXACT CONDITIONS OF EXISTING MEMBERS ARE TO BE FIELD VERIFIED PRIOR TO SHOP MATERIAL FABRICATION OF CUT STICK LENGTHS TO THE EXTENT THAT MORE MATERIAL THAN IS SHOWN SHALL BE REQUIRED. ADDITIONAL FIELD CUTTING WILL BE NECESSARY TO FIT WITH THE EXISTING ROOF MEMBERS.

SEE SHEETS E6 THROUGH E8 FOR APPROXIMATE DIMENSIONAL LOCATIONS OF SUPPORT MEMBERS. COORDINATION TO HVAC DUCT SUPPORT FRAMES & REQUIREMENTS MUST BE FIELD VERIFIED WITH THE SUPPORT FRAME SUPPLIER. DISCREPANCIES MAY BE MADE TO APPROVAL & FIELD COPIES OF THESE DRAWINGS TO FACILITATE A RECORD FOR SAID COORDINATION.

THE GENERAL LOCATION OF THE STRUCTURAL STEEL FOR HVAC SUPPORT FRAMES HAS BEEN ESTABLISHED BASED ON DIAGRAMMATIC DESIGN DRAWING LOCATIONS OF DUCTWORK, EQUIPMENT, PIPING, ETC. AND PRIOR TO FABRICATION THE GENERAL CONTRACTOR SHOULD REVIEW QUANTITIES & CONDITIONS SHOWN HEREIN & COORDINATE WITH APPLICABLE TRADES.



KEY PLAN FOR ENLARGED PLAN DRAWING AREAS
NOTE: SEE DRAWING E6 FOR GENERAL NOTES & ADDITIONAL REFERENCE

REV.	DESCRIPTION	DATE	DWN	CHK
A	For Approval	06/18/10	TMc	TAN
GENERAL NOTES				
MATERIAL: A992 / A36 U/N		ELECTRODES: E70XX LH	REF. DRG.	JOB USE
HOLES: 13/16 DIA. U/N		CONN'S: -		SHOP
SURFACE PREP. AND PAINT:				APPROVAL
SSPC-SP-2				
GREY PRIMER DEVOE NA-195 (U.N.)				
DESCRIPTION: EXISTING ROOF FRAMING PLAN - REINFORCING STEEL				
PROJ. NAME	Ross Middle School Addition/Remodel	DRAWN BY	TMc	
LOCATION	Ross Local School District - Hamilton, OH	DATE	06/15/2010	
CONTRACTOR	Endeavor	ARCH./ENG.	SHP	CHKD. BY
				TAN
				DATE
				JOB No.
				10-11
				DRG. No.
				E6
				REV.
				A

Avenue Fabricating Inc.
1281 Clough Pike
Batavia, OH 45103
(513) 752-1911





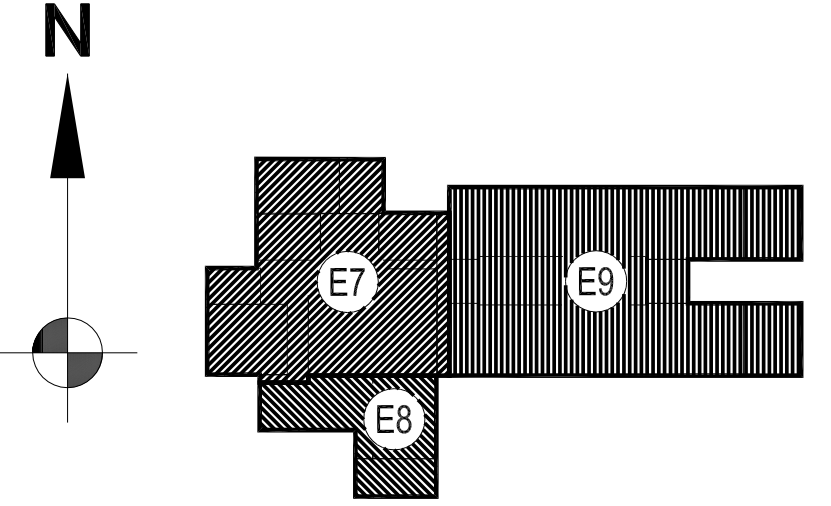
REFERENCE DIMENSIONS FOR BRG PLATES
MEASURED FROM NORTH WALL BLDG. LINE
ACTUAL LOCATIONS WILL VARY DUE TO ANY
EXISTING CONDITIONS OR HVAC COORDINATION

W14'S TO BE PLACED TIGHT TO EXISTING
ROOF DECK. LOCATIONS TO BE COORDINATED
W/ MEP DWG'S & HVAC SUPPLIER.


DATUM

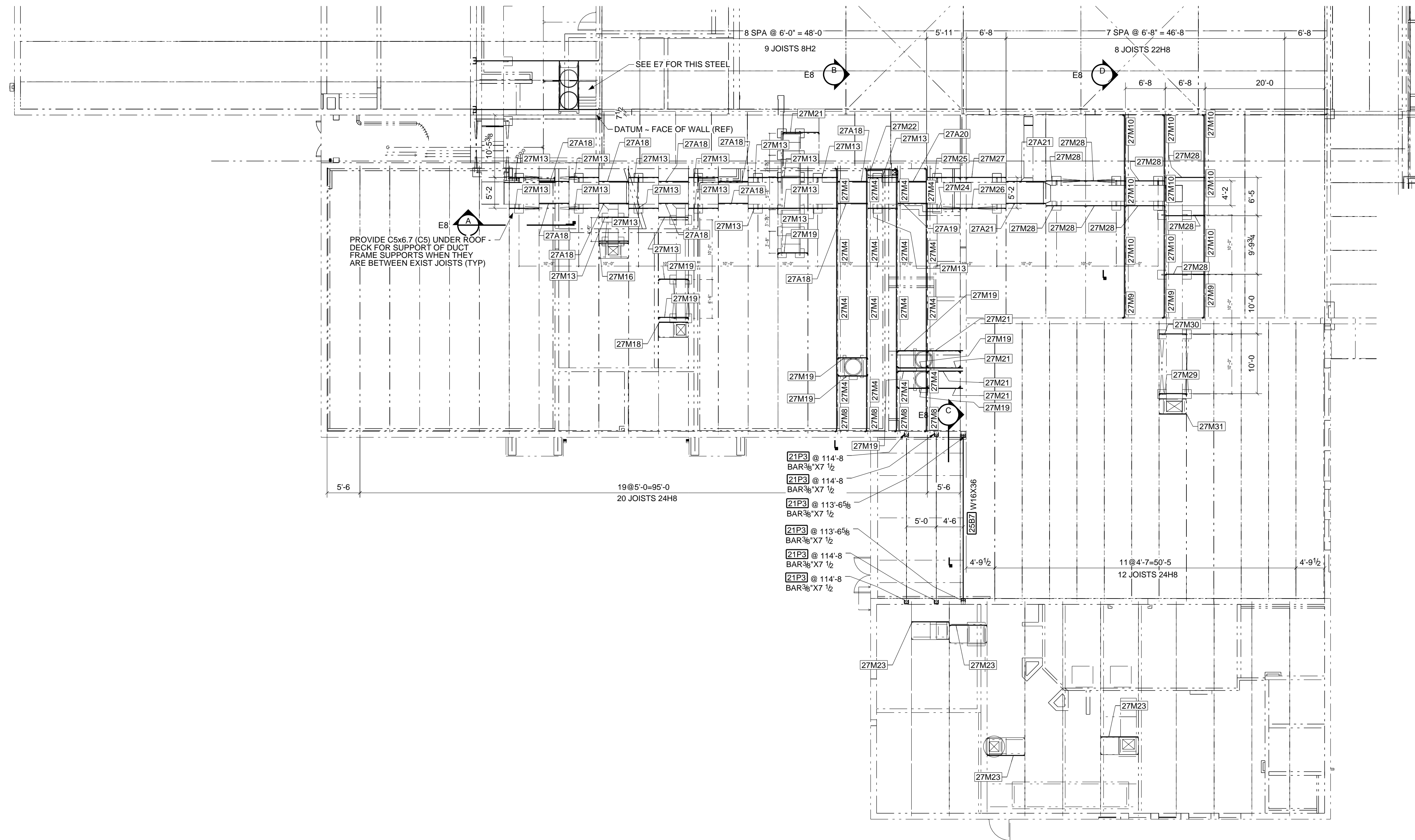
DETAIL F
E10

ROOF PLAN AREA A
1:128

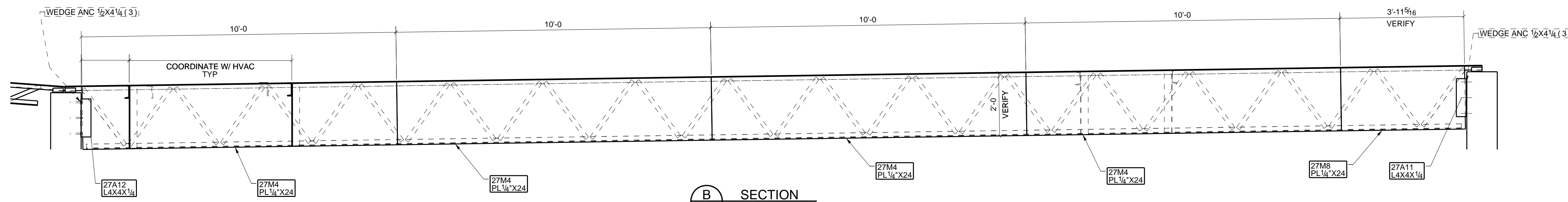
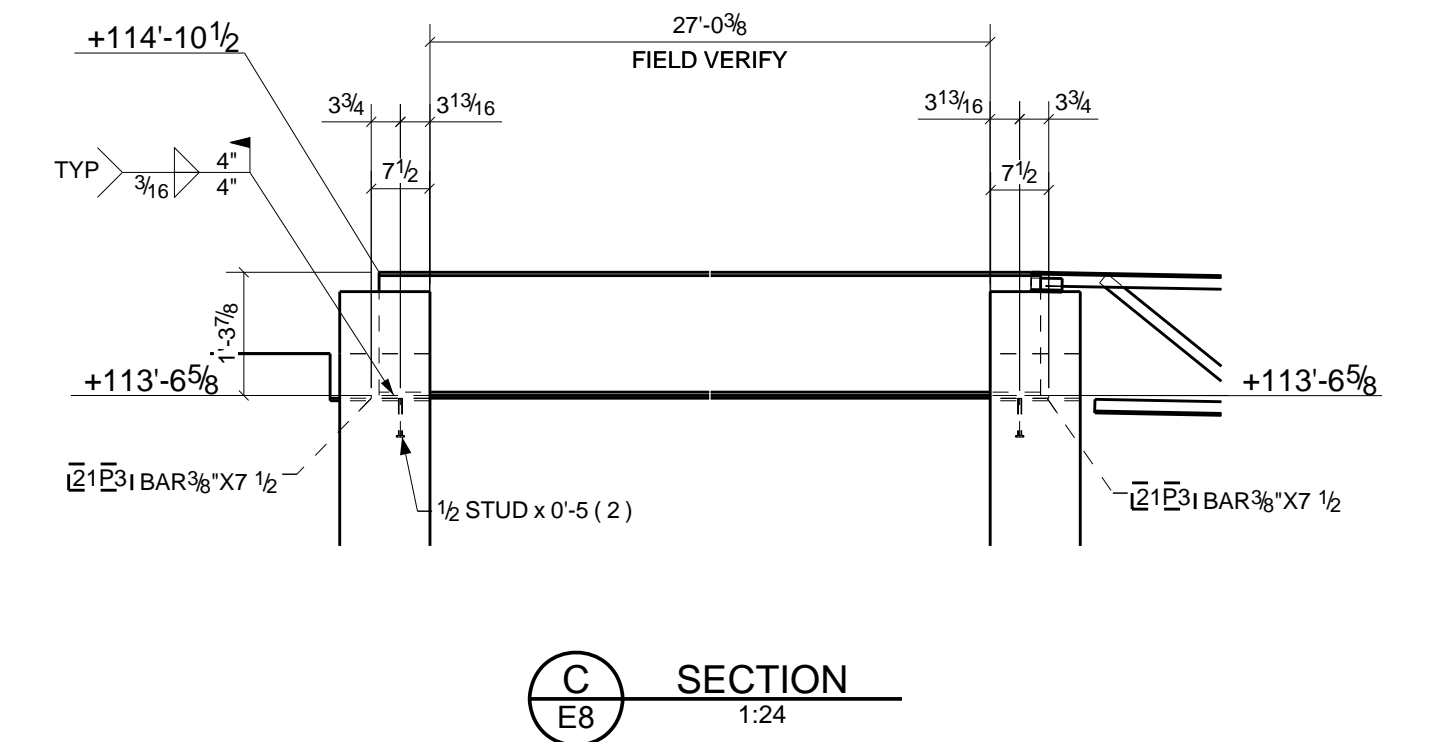
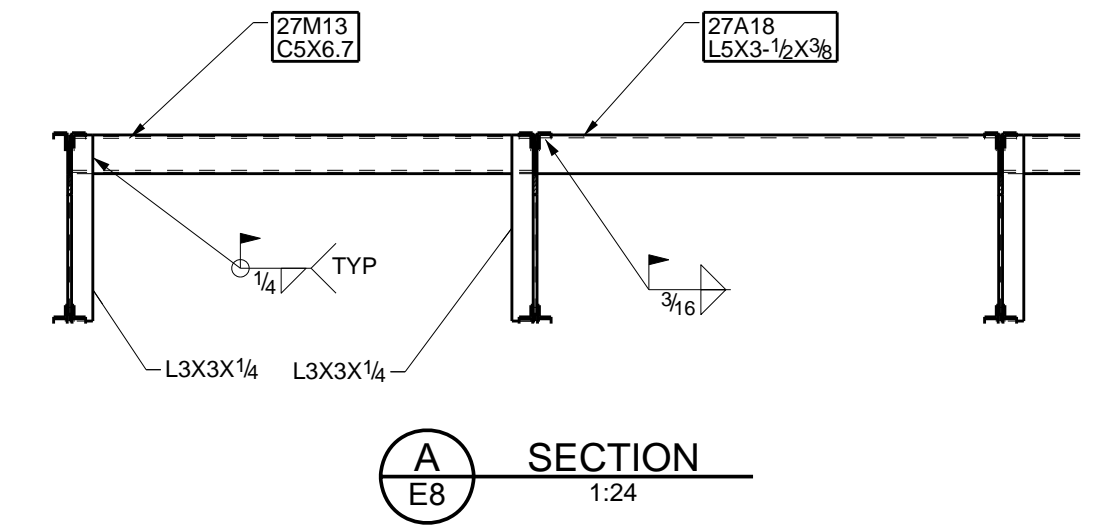


KEY PLAN FOR ENLARGED PLAN DRAWING AREAS
NOTE: SEE DRAWING E6 FOR GENERAL NOTES & ADDITIONAL REFERENCE

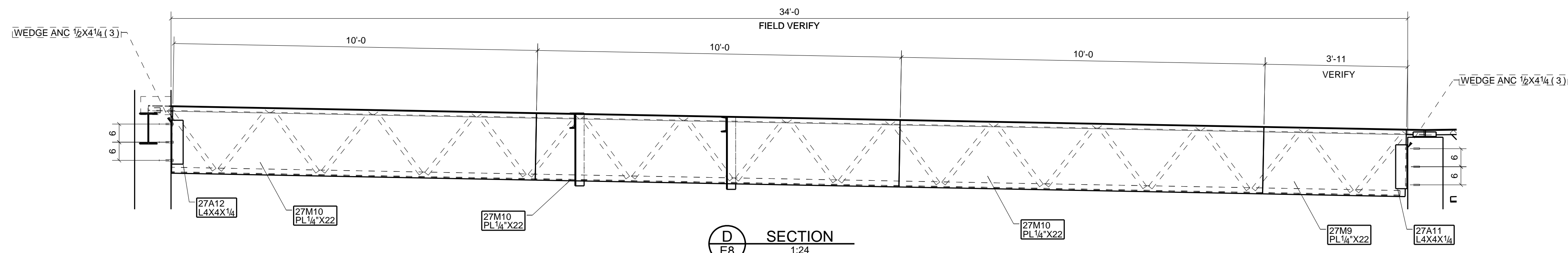
A	For Approval	06/18/10	TMc	TAN
REV.	DESCRIPTION	DATE	DWN	CHK
GENERAL NOTES				
MATERIAL: A992 / A36 UN		ELECTRODES: E70XX LH	REF. DRG.	
HOLES: 13/16 DIA. UN		CONNS: -	SHOP	
SURFACE PREP: AND PAINT:		APPROVAL		
SSPC-SP-2 GREY PRIMER DEVCOE NA-195 (U.N.)				
DESCRIPTION: EXIST. ROOF PLAN - REINFORCING STEEL AREA-A				
PROJ. NAME	Ross Middle School Addition/Remodel		DRAWN BY	TMc
LOCATION	Ross Local School District - Hamilton, OH		DATE	09/15/2010
CONTRACTOR	Endeavor	ARCH./ENG.	SHp	CHKD. BY TAN
Avenue Fabricating Inc. 1281 Clough Pike Batavia, OH 45103 (513) 752-1911				



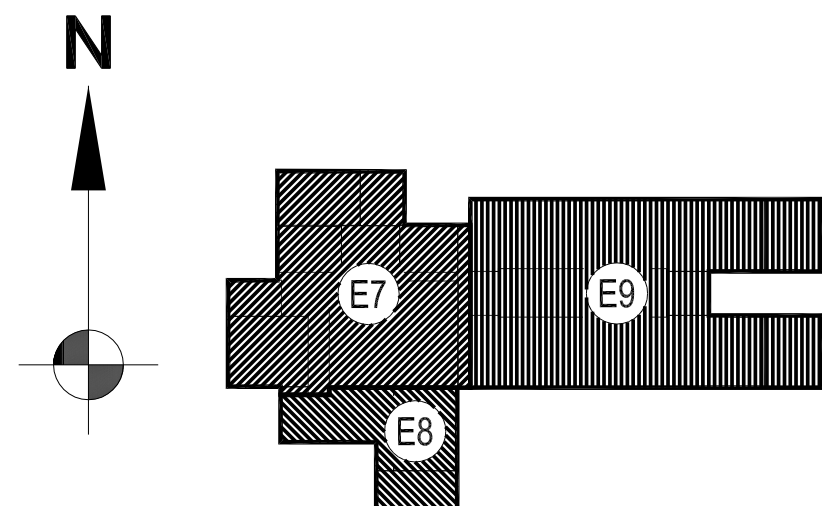
ROOF PLAN AREA B
1:128



SECTION
B
E8
1:24

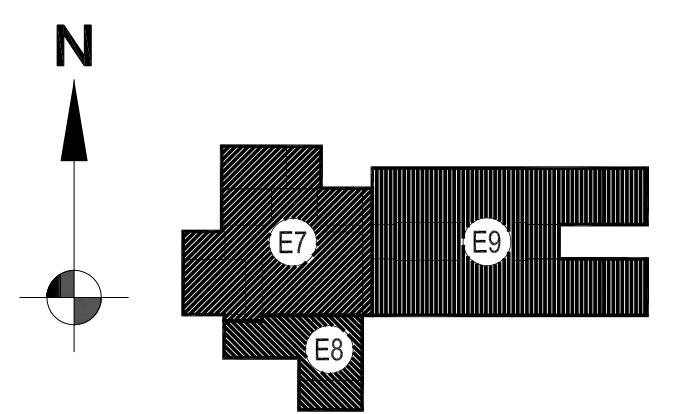
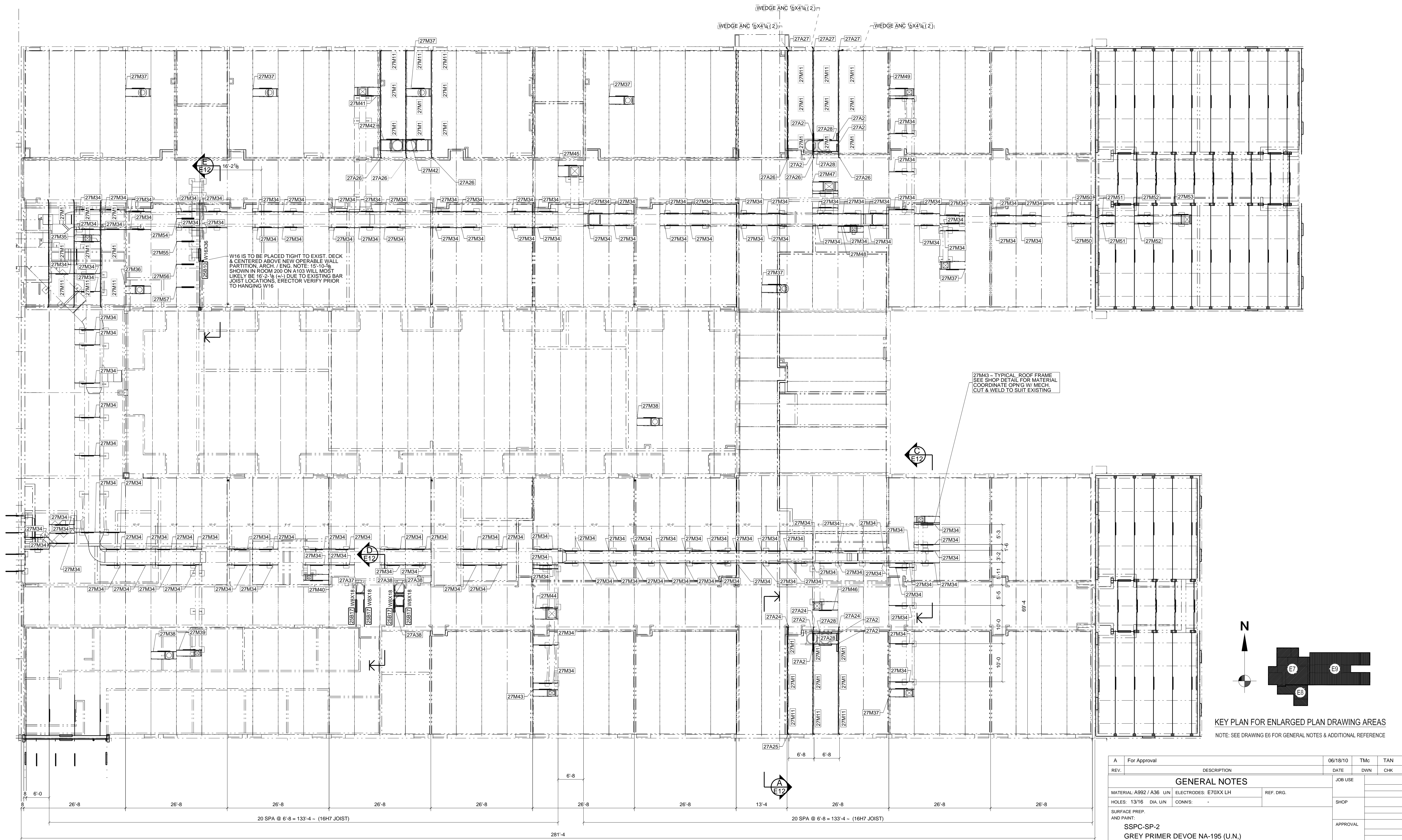


SECTION
D
E8
1:24



KEY PLAN FOR ENLARGED PLAN DRAWING AREAS
NOTE: SEE DRAWING E6 FOR GENERAL NOTES & ADDITIONAL REFERENCE

REV.	DESCRIPTION	DATE	TMC	TAN
A	For Approval	06/18/10	TMC	TAN
GENERAL NOTES				
MATERIAL: A992 / A36 U.N.		ELECTRODES: E70XX LH	REF. DRG.	JOB USE
HOLES: 13/16 DIA. UN.		CONN'S: -		SHOP
SURFACE PREP. AND PAINT:				APPROVAL
SSPC-SP-2				
GREY PRIMER DEVCO NA-195 (U.N.)				
DESCRIPTION: EXIST. ROOF PLAN - REINFORCING STEEL AREA-B				
PROJ. NAME	Ross Middle School Addition/Remodel	DRAWN BY	TMC	
LOCATION	Ross Local School District - Hamilton, OH	DATE	09/15/2010	
CONTRACTOR	Endeavor	ARCH./ENG.	SHP	CHKD. BY
				TAN
				DATE
				10-11
				DRG. No. E8
				REV. A

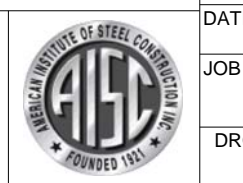


KEY PLAN FOR ENLARGED PLAN DRAWING AREAS
NOTE: SEE DRAWING E6 FOR GENERAL NOTES & ADDITIONAL REFERENCE

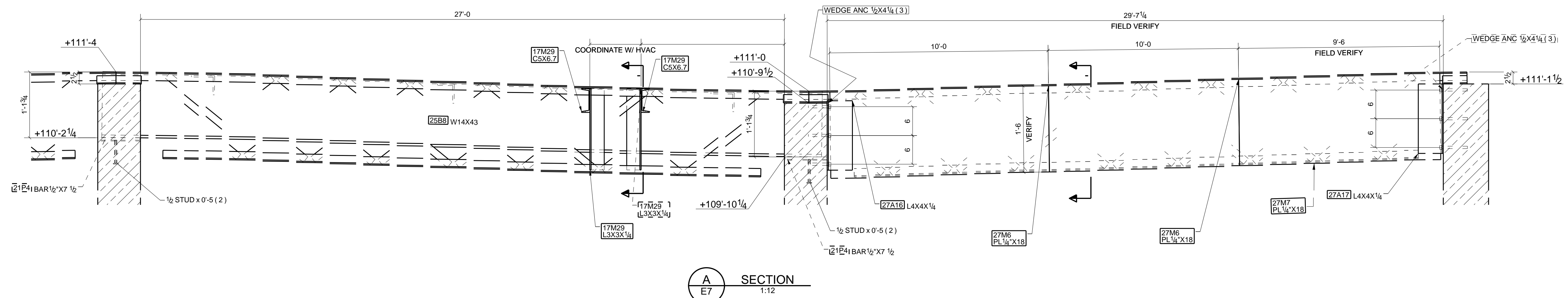
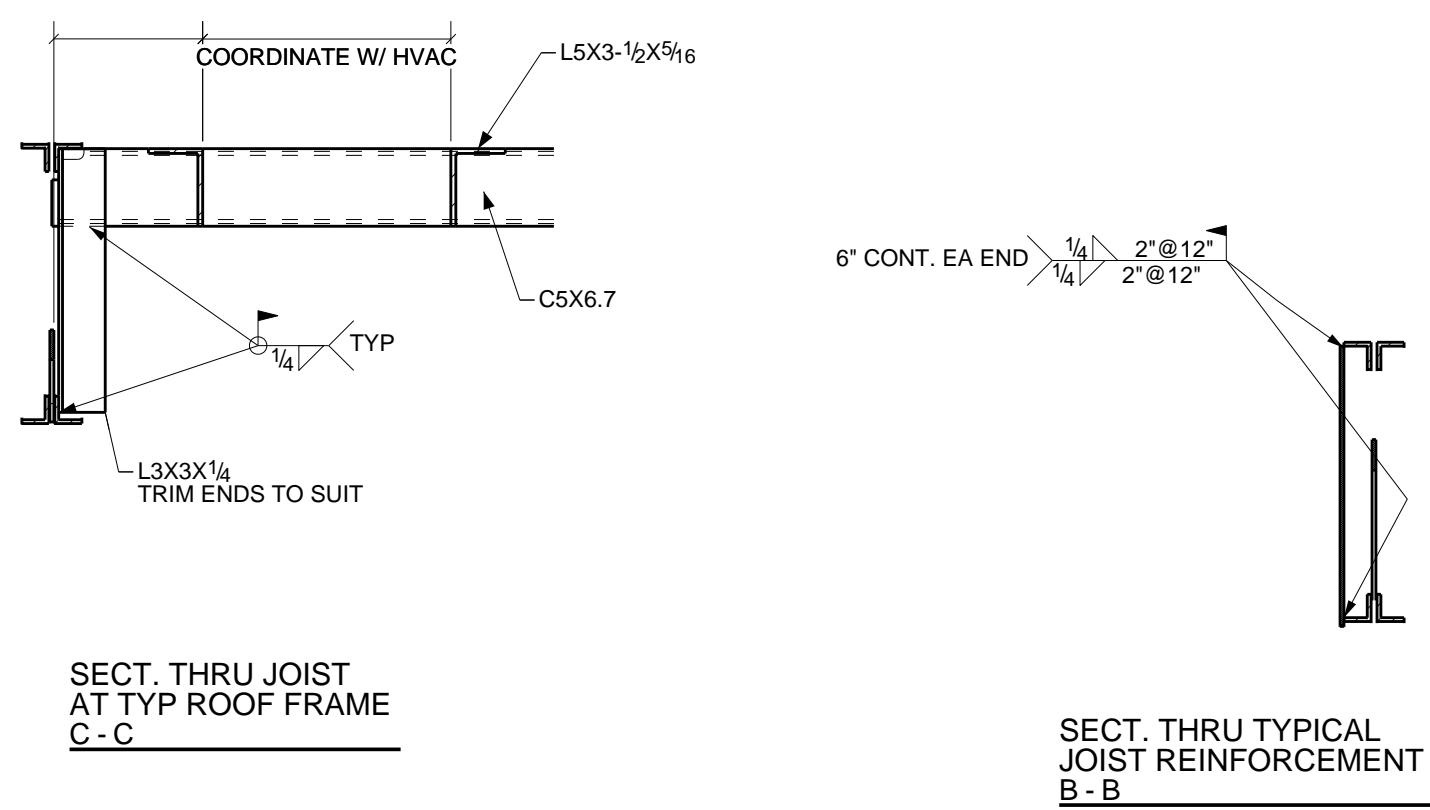
ROOF PLAN AREA C & D
1:128

REV.	DESCRIPTION	DATE	TMc	TAN
A	For Approval	06/18/10	TMc	TAN

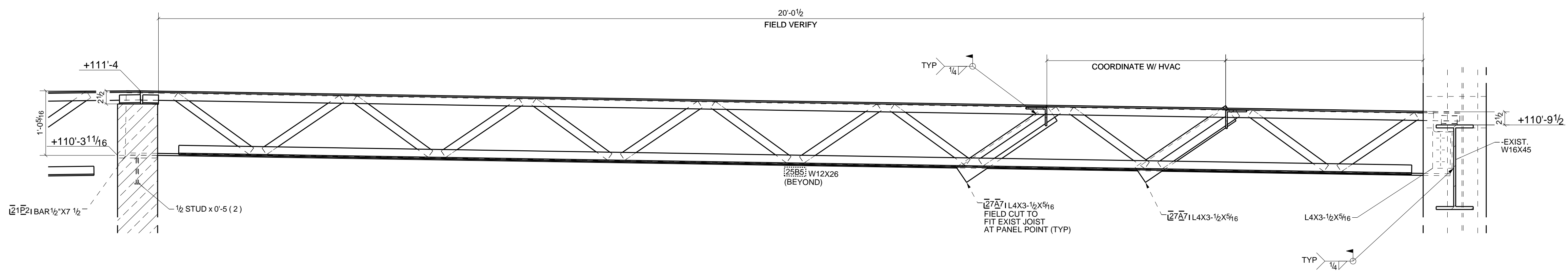
GENERAL NOTES		JOB USE
MATERIAL: A992 / A36 UN	ELECTRODES: E70XX LH	REF. DRG.
HOLES: 13/16 DIA. UN	CONNS: -	SHOP
SURFACE PREP. AND PAINT:		APPROVAL
SSPC-SP-2		
GREY PRIMER DEVOE NA-195 (U.N.)		
DESCRIPTION: EXIST. ROOF PLAN - REINFORCING STEEL AREA-C & D		
PROJ. NAME	Ross Middle School Addition/Remodel	DRAWN BY
LOCATION	Ross Local School District - Hamilton, OH	TMc
CONTRACTOR	Endeavor	DATE
ARCH/ENG.	SHP	06/15/2010
		CHKD. BY
		TAN
		DATE
		JOB No.
		10-11
		DRG. No.
		E9
		REV.
		A



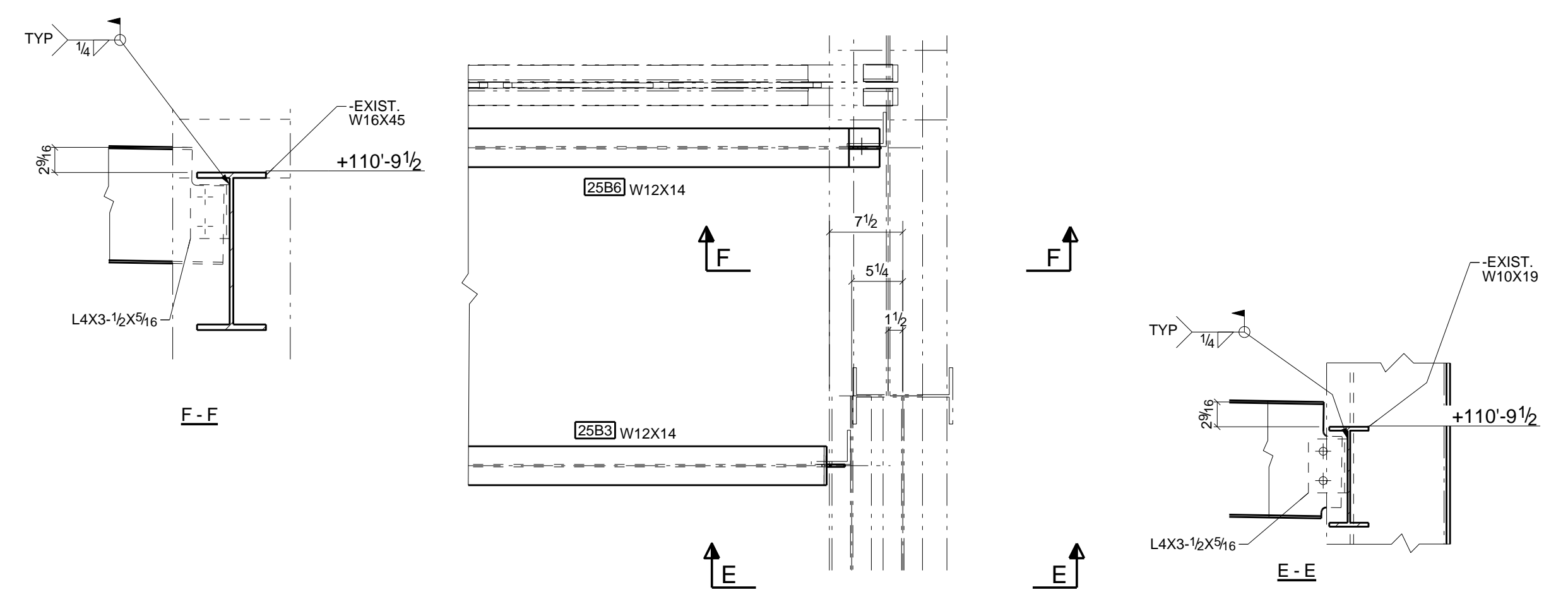
Avenue Fabricating Inc.
1281 Clough Pike
Batavia, OH 45103
(513) 752-1911



A
SECTION
E7
1:12

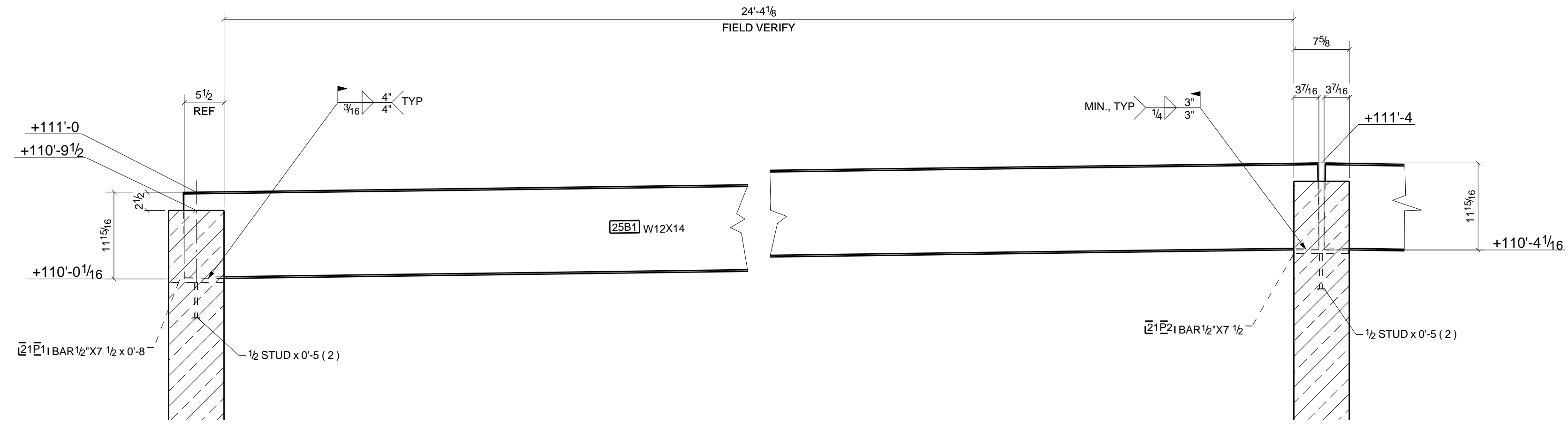


B
SECTION
E7
1:12

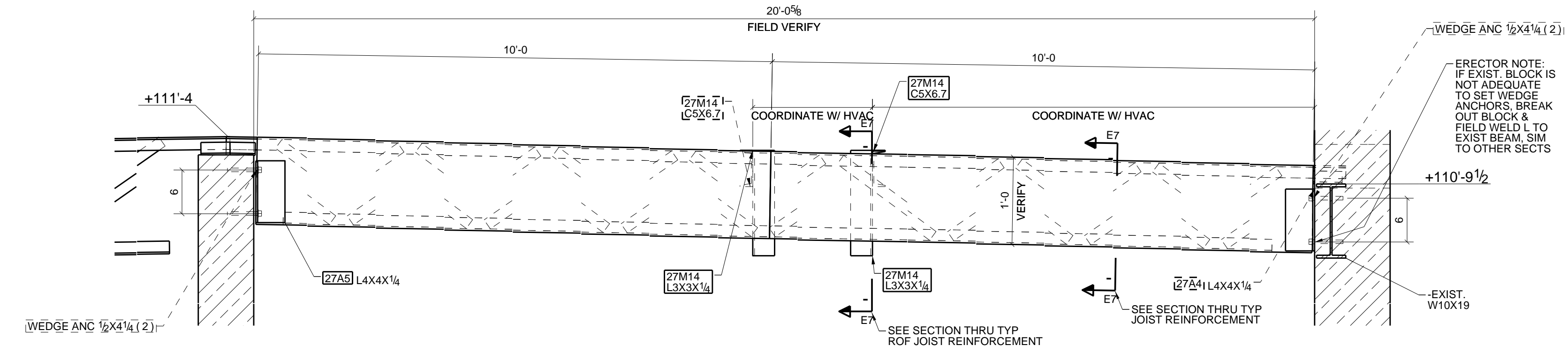


F
DETAIL
E7
1:12

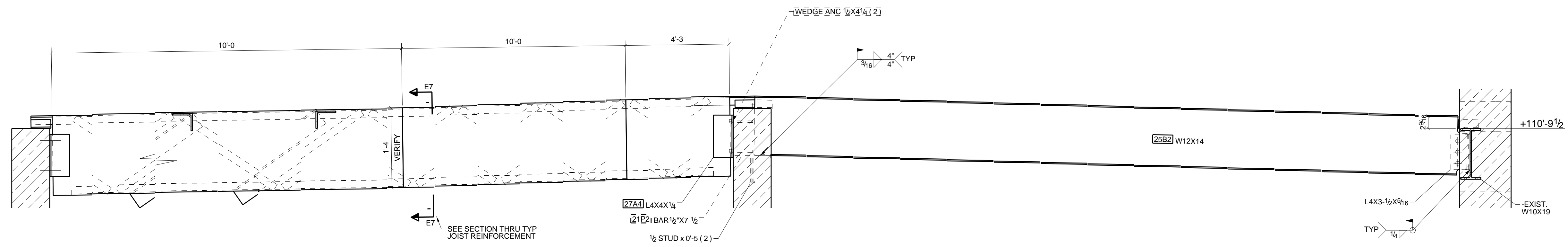
A	For Approval	06/18/10	TMc	TAN
REV.	DESCRIPTION	DATE	DWN	CHK
GENERAL NOTES				
MATERIAL: A992 / A36 UN		ELECTRODES: E70XX LH	REF. DRG.	JOB USE
HOLES: 13/16 DIA. UN		CONNS: -		SHOP
SURFACE PREP. AND PAINT:				APPROVAL
SSPC-SP-2 GREY PRIMER DEVCOE NA-195 (U.N.)				
DESCRIPTION: EXIST. ROOF - REINFORCING STEEL SECTIONS				
PROJ. NAME	Ross Middle School Addition/Remodel	DRAWN BY	TMc	
LOCATION	Ross Local School District - Hamilton, OH	DATE	05/18/2010	
CONTRACTOR	Endeavor	ARCH./ENG.	SHP	CHKD. BY TAN
Avenue Fabricating Inc. 1281 Clough Pike Batavia, OH 45103 (513) 752-1911		DATE		
		JOB No.	10-11	REV. A



C SECTION
E7 1:12

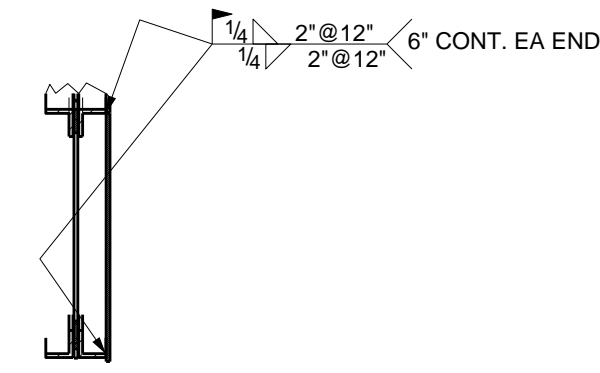
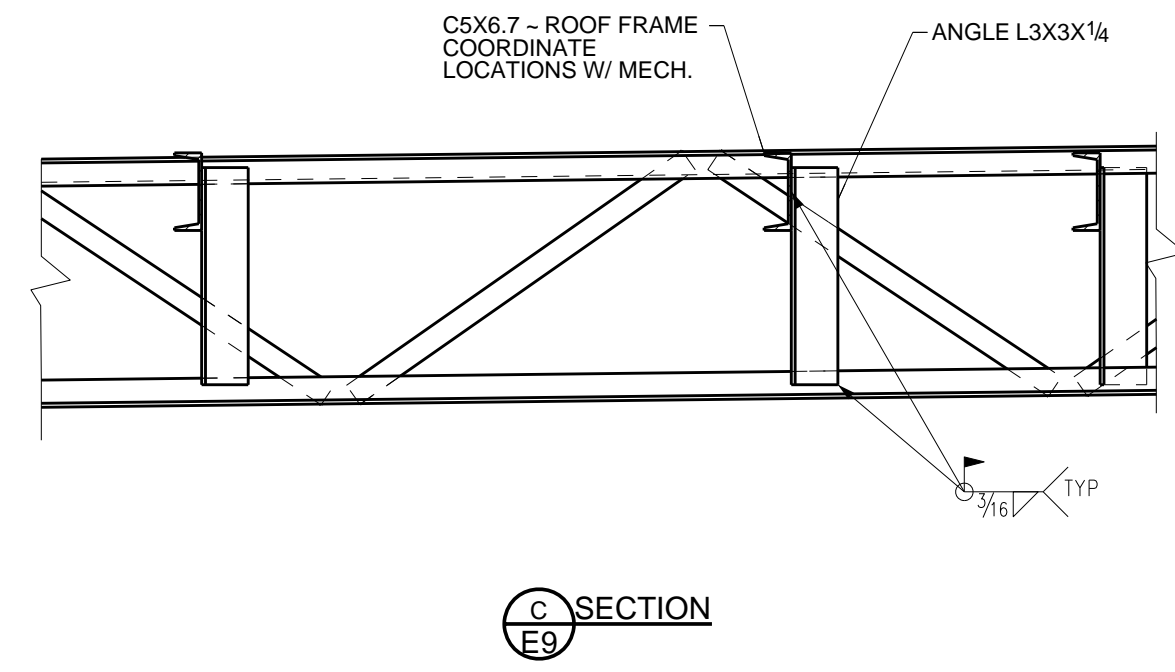


D SECTION
E7 1:12

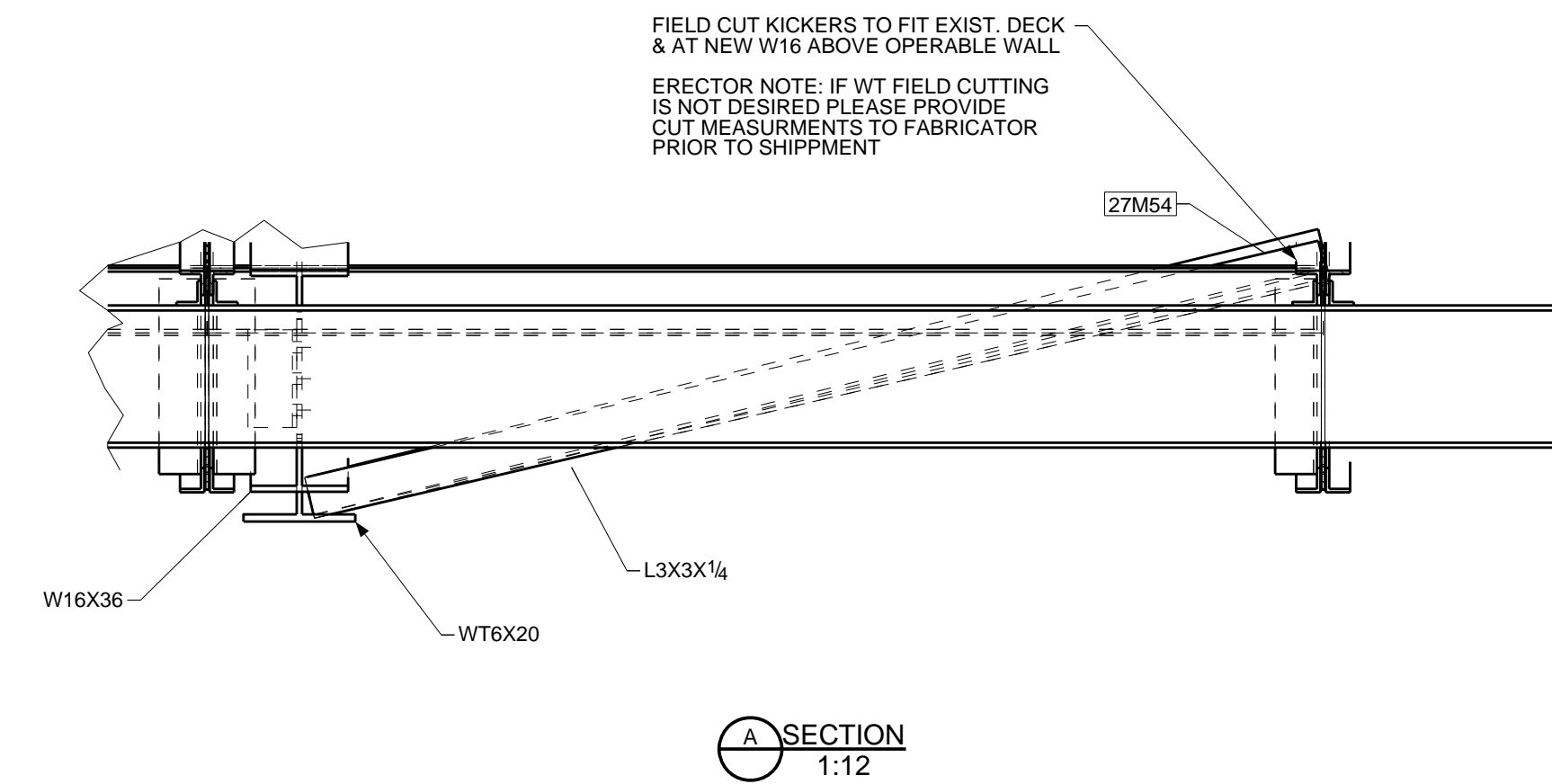
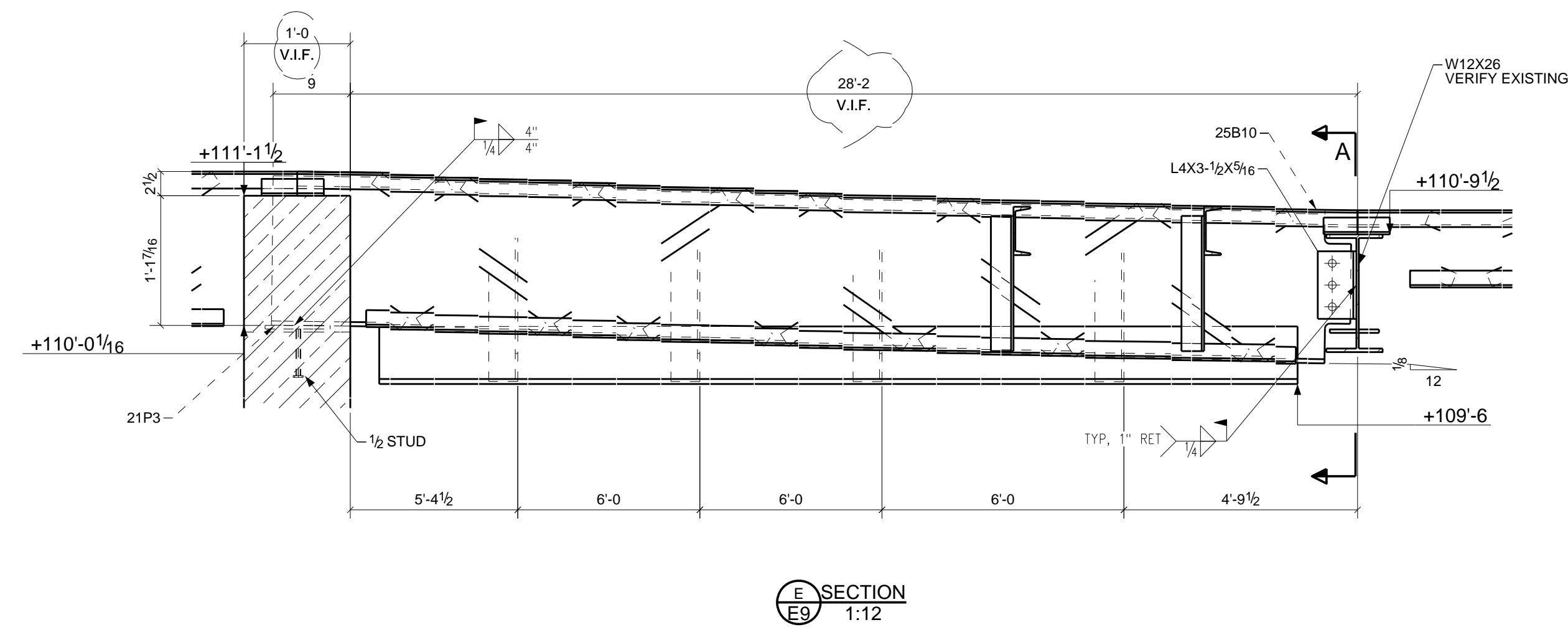
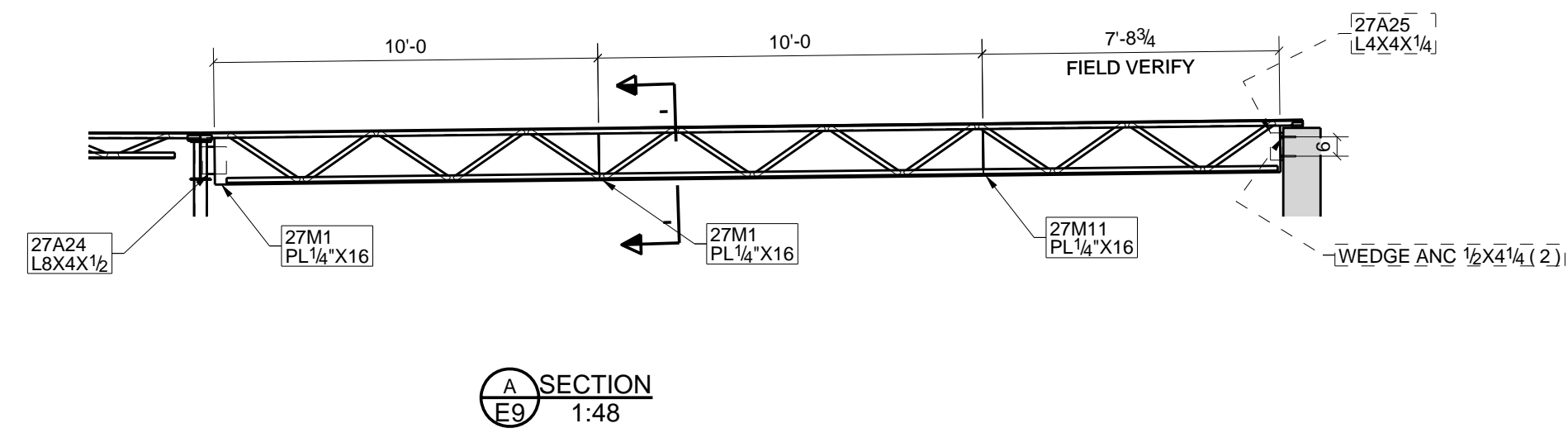
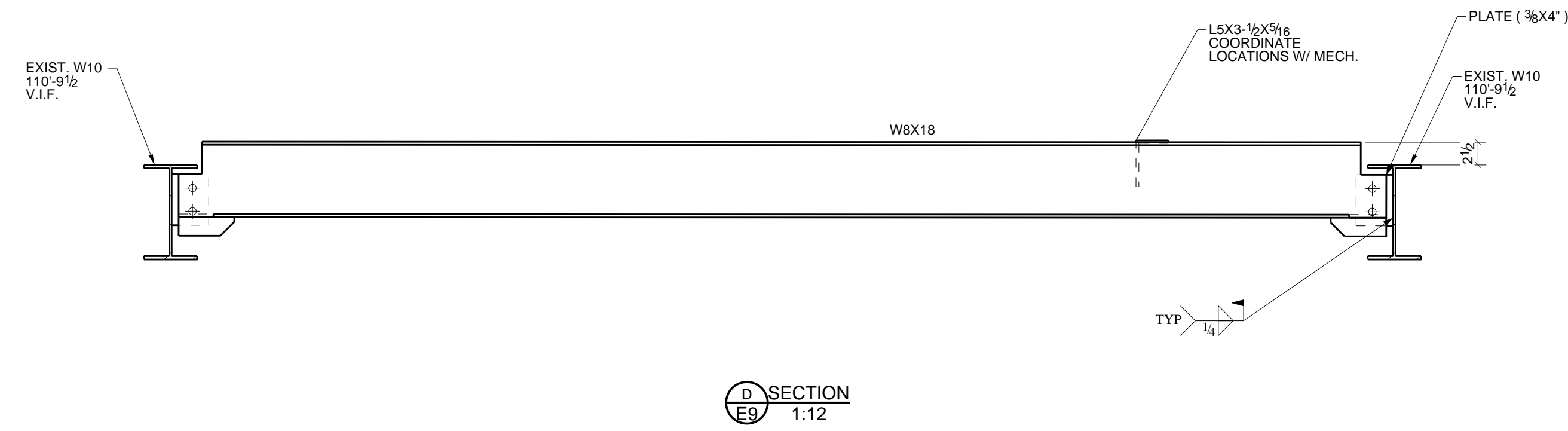


E SECTION
E7 1:12

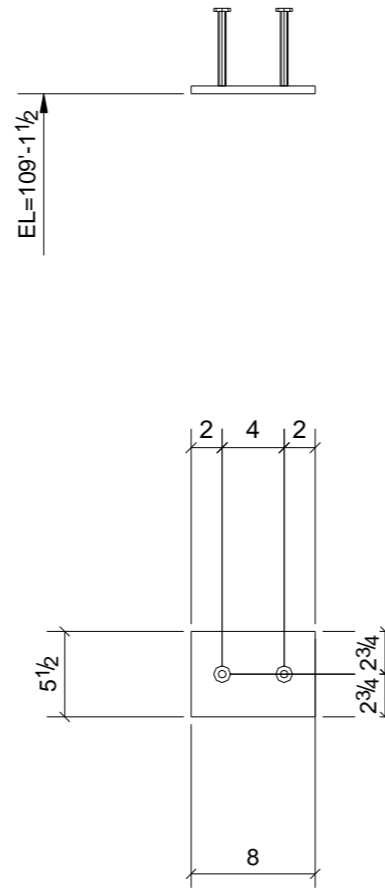
REV.	DESCRIPTION	DATE	TMc	TAN
A	For Approval	06/18/10	TMc	TAN
GENERAL NOTES				
MATERIAL: A992 / A36 U/N		ELECTRODES: E70XX LH	REF. DRG.	JOB USE
HOLES: 13/16 DIA. U/N		CONNS: -		SHOP
SURFACE PREP. AND PAINT:				APPROVAL
SSPC-SP-2				
GREY PRIMER DEVCOE NA-195 (U.N.)				
DESCRIPTION: EXIST. ROOF - REINFORCING STEEL SECTIONS				DRAWN BY
PROJ. NAME Ross Middle School Addition/Remodel		LOCATION Ross Local School District - Hamilton, OH		TMc
CONTRACTOR Endeavor		ARCH/ENG. SHP		DATE
Avenue Fabricating Inc.				JOB No.
1281 Clough Pike				10-11
Batavia, OH 45103				REV.
(513) 752-1911				E11 A



SECT. THRU JOIST



REV.	DESCRIPTION	DATE	TMc	TAN
A	For Approval	06/18/10	TMc	TAN
GENERAL NOTES				
MATERIAL: A992 / A36 U/N		ELECTRODES: E70XX LH	REF. DRG.	JOB USE
HOLES: 13/16 DIA. U/N		CONN'S: -		SHOP
SURFACE PREP. AND PAINT:		SSPC-SP-2		APPROVAL
		GREY PRIMER DEVOE NA-195 (U.N.)		
DESCRIPTION: EXIST. ROOF - REINFORCING STEEL SECTIONS				
PROJ. NAME: Ross Middle School Addition/Remodel			DRAWN BY: TMc	
LOCATION: Ross Local School District - Hamilton, OH			DATE: 05/18/2010	
CONTRACTOR: Endeavor ARCH./ENG. SHP			CHKD. BY: TAN	
Avenue Fabricating Inc. 1281 Clough Pike Batavia, OH 45103 (513) 752-1911			DATE	
			JOB No. 10-11	
			DRG. No. E12	REV. A



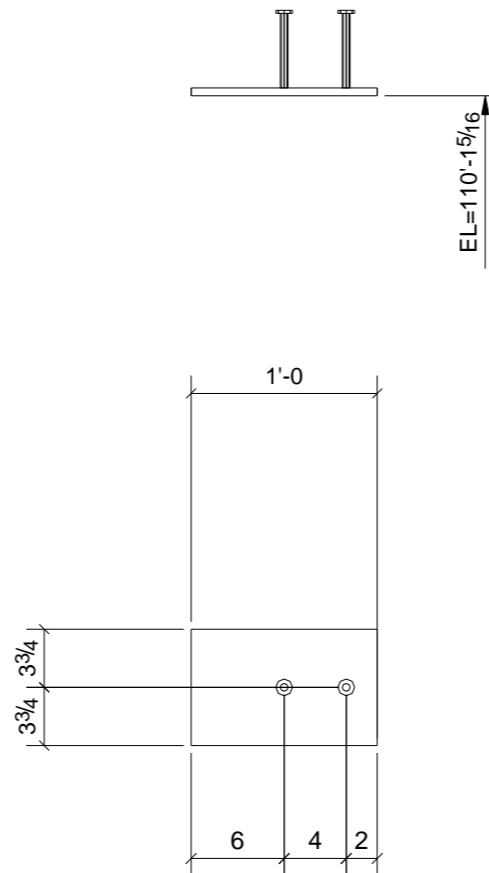
FINISH: NO PAINT

5 - EMBEDS - 11P2

BILL OF MATERIAL

SHIP	MARK	NO PCS	DESCRIPTION	LENGTH	PIECE MARK	REMARKS
5	11P2	5	BAR 1/2" X 5 1/2"	0'-8"		SQ-2 A36 NO PAINT
		10	STUD 1/2" DIA	0'-5"		

A	For Approval	05/13/10	TMc	
0	For Fabrication F&F	6/09/10	TMc	TH
REV.	DESCRIPTION	DATE	DWN	CHK
GENERAL NOTES			JOB USE	
MATERIAL: A992 / A36	ELECTRODES: E70XX LH	REF. DRG.	SHOP	
HOLES: 13/16 DIA. U/N	CONN'S.: -		APPROVAL	
SURFACE PREP. SSPC-SP-2 AND PAINT: GREY PRIMER DEVOE NA-195 (U.N.)				
DESCRIPTION: EMBED PLATE				
PROJECT NAME Ross Middle School Addition/Remodel LOCATION Ross Local School District - Hamilton, O				
CONTRACTOR Endeavor				
Avenue Fabricating Inc. 1281 Clough Pike Batavia, OH 45103 (513) 752-1911		DRAWN BY TMc	DATE 05/12/2010	
		CHKD. BY TAN/TH	DATE 06/09/2010	
		JOB No. 10-10	DRG. No. 11P2	REV. 2



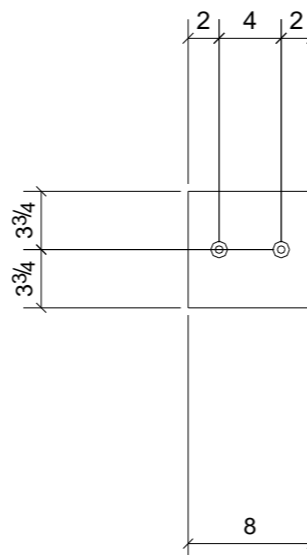
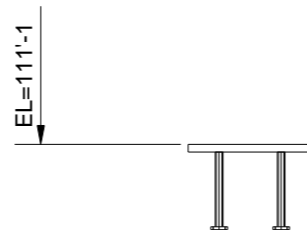
FINISH: NO PAINT

4 - EMBEDS - 11P4

BILL OF MATERIAL

SHIP	MARK	NO PCS	DESCRIPTION	LENGTH	PIECE MARK	REMARKS
4	11P4	4	BAR 1/2" X 7 1/2"	1'-0"		SQ-2 A36 NO PAINT
		8	STUD 1/2" DIA	0'-5"		

A	For Approval	05/13/10	TMc	
0	For Fabrication F&F	6/09/10	TMc	TH
REV.	DESCRIPTION	DATE	DWN	CHK
GENERAL NOTES			JOB USE	
MATERIAL: A992 / A36	ELECTRODES: E70XX LH	REF. DRG.	SHOP	
HOLES: 13/16 DIA. U/N	CONN'S.: -		APPROVAL	
SURFACE PREP. SSPC-SP-2 AND PAINT: GREY PRIMER DEVOE NA-195 (U.N.)				
DESCRIPTION: EMBED PLATE				
PROJECT NAME Ross Middle School Addition/Remodel LOCATION Ross Local School District - Hamilton, O				
CONTRACTOR Endeavor				
Avenue Fabricating Inc. 1281 Clough Pike Batavia, OH 45103 (513) 752-1911			DRAWN BY	DATE
			TMc	05/12/2010
			CHKD. BY	DATE
TAN/TH	06/09/2010	JOB No.	DRG. No.	REV.
10-10	11P4			2



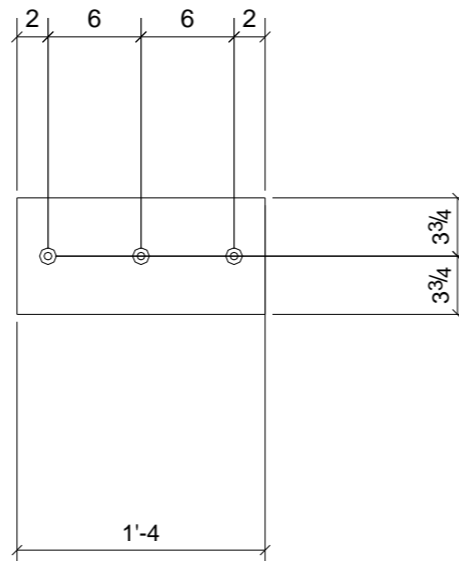
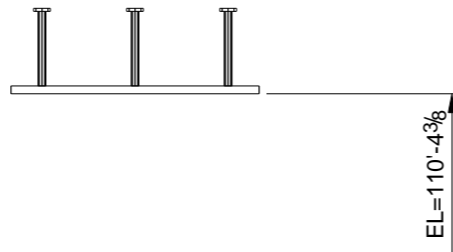
FINISH: NO PAINT

40 - EMBEDS - 11P5

BILL OF MATERIAL

SHIP	MARK	NO PCS	DESCRIPTION	LENGTH	PIECE MARK	REMARKS
40	11P5	40	BAR 1/2" X 7 1/2"	0'-8"		SQ-2 A36 NO PAINT
		80	STUD 1/2" DIA	0'-5"		

A	For Approval	05/13/10	TMc	
0	For Fabrication F&F	6/09/10	TMc	TH
REV.	DESCRIPTION	DATE	DWN	CHK
GENERAL NOTES			JOB USE	
MATERIAL: A992 / A36	ELECTRODES: E70XX LH	REF. DRG.	SHOP	
HOLES: 13/16 DIA. U/N	CONN'S.: -		APPROVAL	
SURFACE PREP. SSPC-SP-2 AND PAINT: GREY PRIMER DEVOE NA-195 (U.N.)				
DESCRIPTION: EMBED PLATE				
PROJECT NAME Ross Middle School Addition/Remodel LOCATION Ross Local School District - Hamilton, O				
CONTRACTOR Endeavor				
Avenue Fabricating Inc. 1281 Clough Pike Batavia, OH 45103 (513) 752-1911		DRAWN BY TMc	DATE 05/12/2010	
		CHKD. BY TAN/TH	DATE 06/09/2010	
		JOB No. 10-10	DRG. No. 11P5	REV. 2



FINISH: NO PAINT

29 - EMBEDS - 11P6

A	For Approval	05/13/10	TMc	
0	For Fabrication F&F	6/09/10	TMc	TH
REV.	DESCRIPTION	DATE	DWN	CHK

GENERAL NOTES

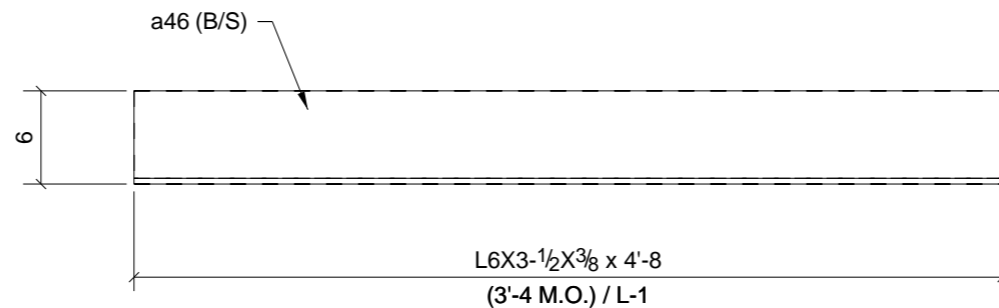
MATERIAL: A992 / A36		ELECTRODES: E70XX LH	REF. DRG.	JOB USE
HOLES: 13/16 DIA. U/N		CONN'S.: -		SHOP
SURFACE PREP. SSPC-SP-2				APPROVAL
AND PAINT: GREY PRIMER DEVOE NA-195 (U.N.)				
DESCRIPTION: EMBED PLATE				
PROJECT NAME: Ross Middle School Addition/Remodel				
LOCATION: Ross Local School District - Hamilton, O				
CONTRACTOR: Endeavor				

BILL OF MATERIAL

SHIP	MARK	NO PCS	DESCRIPTION	LENGTH	PIECE MARK	REMARKS
29	11P6	29	BAR 1/2" X 7 1/2"	1'-4"		SQ-2 A36 NO PAINT
		87	STUD 1/2" DIA	0'-5"		

Avenue Fabricating Inc.
 1281 Clough Pike
 Batavia, OH 45103
 (513) 752-1911

DRAWN BY TMc	DATE 05/12/2010
CHKD. BY TAN/TH	DATE 06/09/2010
JOB No. 10-10	DRG. No. 11P6
	REV. 2



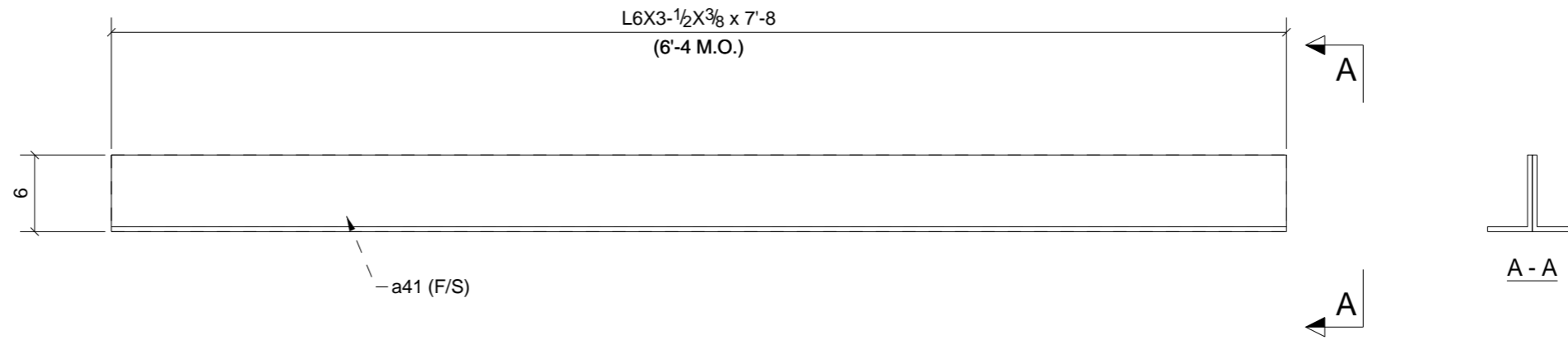
6 - LINTELS - 12L1

(3 ANGLES EACH LENGTH)

BILL OF MATERIAL

SHIP	MARK	NO PCS	DESCRIPTION	LENGTH	PIECE MARK	REMARKS
6	12L1	6	L6X3-1/2X3/8	4'-8"		SQ-2 A36 1 S/C STD PRIMER
		12	L6X3-1/2X3/8	4'-8"	a46	A36 1 S/C STD PRIMER

A	For Approval	05/13/10	TMc	
0	For Fabrication F&F	6/09/10	TMc	TH
REV.	DESCRIPTION	DATE	DWN	CHK
GENERAL NOTES			JOB USE	
MATERIAL: A992 / A36	ELECTRODES: E70XX LH	REF. DRG.		
HOLES: 13/16 DIA. U/N	CONN'S.: -	SHOP		
SURFACE PREP. SSPC-SP-2			APPROVAL	
AND PAINT: GREY PRIMER DEVOE NA-195 (U.N.)				
DESCRIPTION: LINTEL				
PROJECT NAME Ross Middle School Addition/Remodel				
LOCATION Ross Local School District - Hamilton, O				
CONTRACTOR Endeavor				
Avenue Fabricating Inc.			DRAWN BY	DATE
1281 Clough Pike			TMc	05/12/2010
Batavia, OH 45103			CHKD. BY	DATE
(513) 752-1911			TAN/TH	06/09/2010
JOB No.		DRG. No.	REV.	
10-10		12L1	3	



2 - LINTELS - 12L11

(2 ANGLES EACH LENGTH)

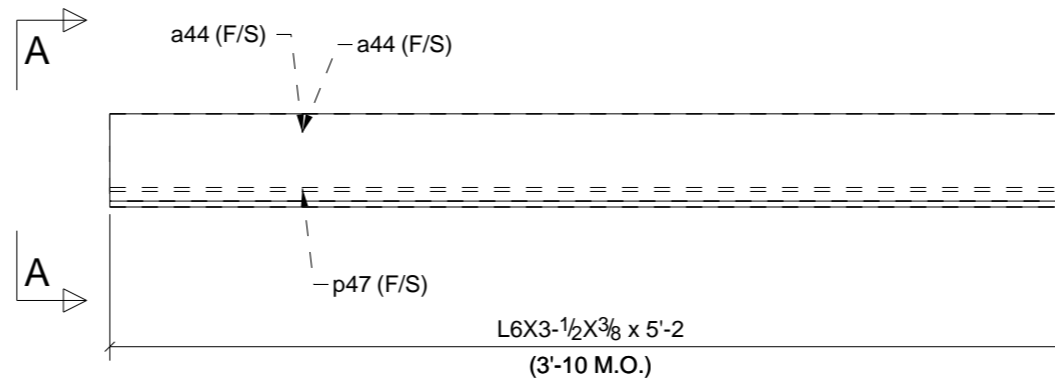
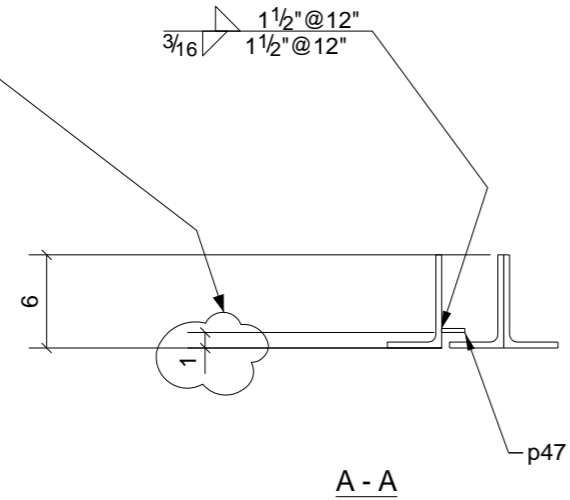
REV.	A	For Approval	05/13/10	TMc	
	0	For Fabrication F&F	6/09/10	TMc	TH
REV.		DESCRIPTION	DATE	DWN	CHK

GENERAL NOTES			JOB USE		
MATERIAL: A992 / A36	ELECTRODES: E70XX LH	REF. DRG.	SHOP		
HOLES: 13/16 DIA. U/N	CONN'S.: -		APPROVAL		
SURFACE PREP. SSPC-SP-2					
AND PAINT: GREY PRIMER DEVOE NA-195 (U.N.)					
DESCRIPTION: LINTEL					
PROJECT NAME Ross Middle School Addition/Remodel					
LOCATION Ross Local School District - Hamilton, O					
CONTRACTOR Endeavor					

BILL OF MATERIAL						
SHIP	MARK	NO PCS	DESCRIPTION	LENGTH	PIECE MARK	REMARKS
2	12L11	2	L6X3-1/2X3/8	7'-8"		SQ-2 A36 1 S/C STD PRIMER
		2	L6X3-1/2X3/8	7'-8"	a41	A36 1 S/C STD PRIMER

Avenue Fabricating Inc. 1281 Clough Pike Batavia, OH 45103 (513) 752-1911		DRAWN BY TMc	DATE 05/12/2010
		CHKD. BY TAN/TH	DATE 06/09/2010
		JOB No. 10-10	DRG. No. 12L11

APPROVER:
PLEASE VERIFY
OR PROVIDE



FINISH: GALVANIZED

ONE - LINTEL - 12L12

A	For Approval	05/13/10	TMc	
0	For Fabrication F&F	6/09/10	TMc	TH
REV.	DESCRIPTION	DATE	DWN	CHK

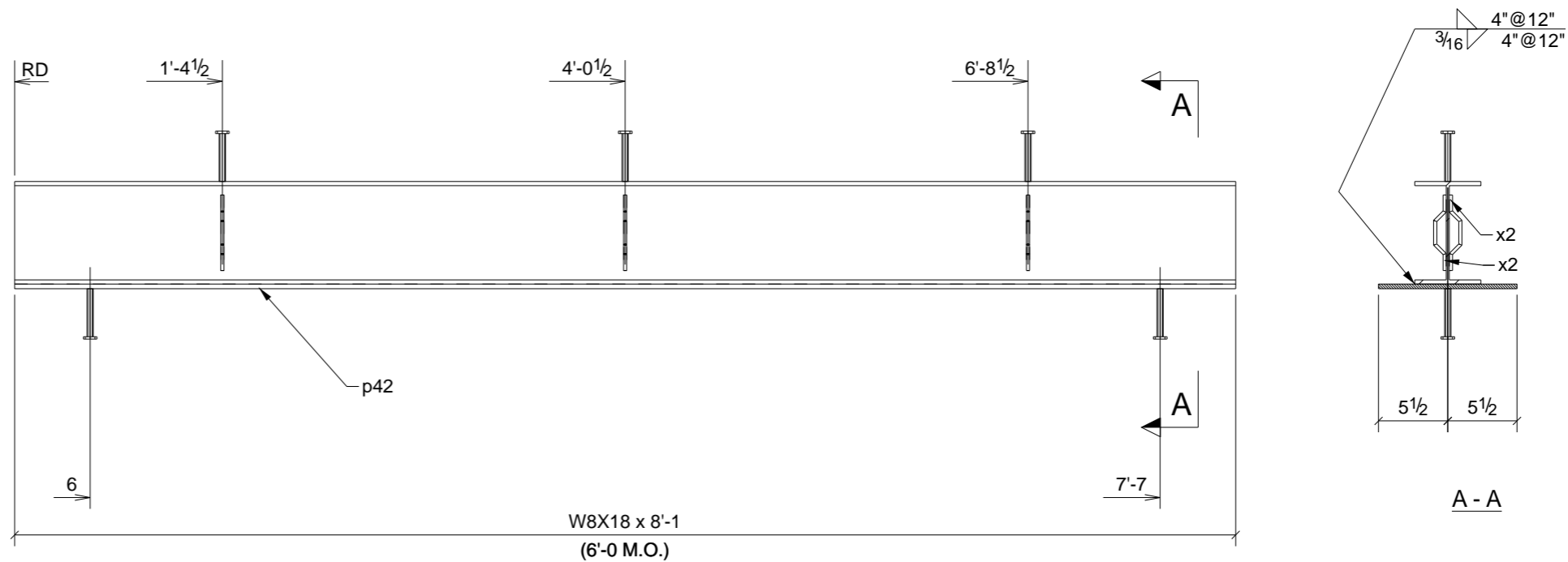
GENERAL NOTES			JOB USE
MATERIAL: A992 / A36	ELECTRODES: E70XX LH	REF. DRG.	SHOP
HOLES: 13/16 DIA. U/N	CONN'S.: -		APPROVAL
SURFACE PREP. SSPC-SP-2 AND PAINT: GREY PRIMER DEVOE NA-195 (U.N.)			
DESCRIPTION: LINTEL			
PROJECT NAME Ross Middle School Addition/Remodel LOCATION Ross Local School District - Hamilton, O			
CONTRACTOR Endeavor			

BILL OF MATERIAL

SHIP	MARK	NO PCS	DESCRIPTION	LENGTH	PIECE MARK	REMARKS
1	12L12	1	L6X3-1/2X3/8	5'-2"		SQ-2 A36 GALVANIZED
		2	L6X3-1/2X3/8	5'-2"	a44	A36 GALVANIZED
		1	BAR1/4"X1 1/2"	5'-2"	p47	A36

Avenue Fabricating Inc.
1281 Clough Pike
Batavia, OH 45103
(513) 752-1911

DRAWN BY TMc	DATE 05/12/2010
CHKD. BY TAN/TH	DATE 06/09/2010
JOB No. 10-10	DRG. No. 12L12
	REV. 2

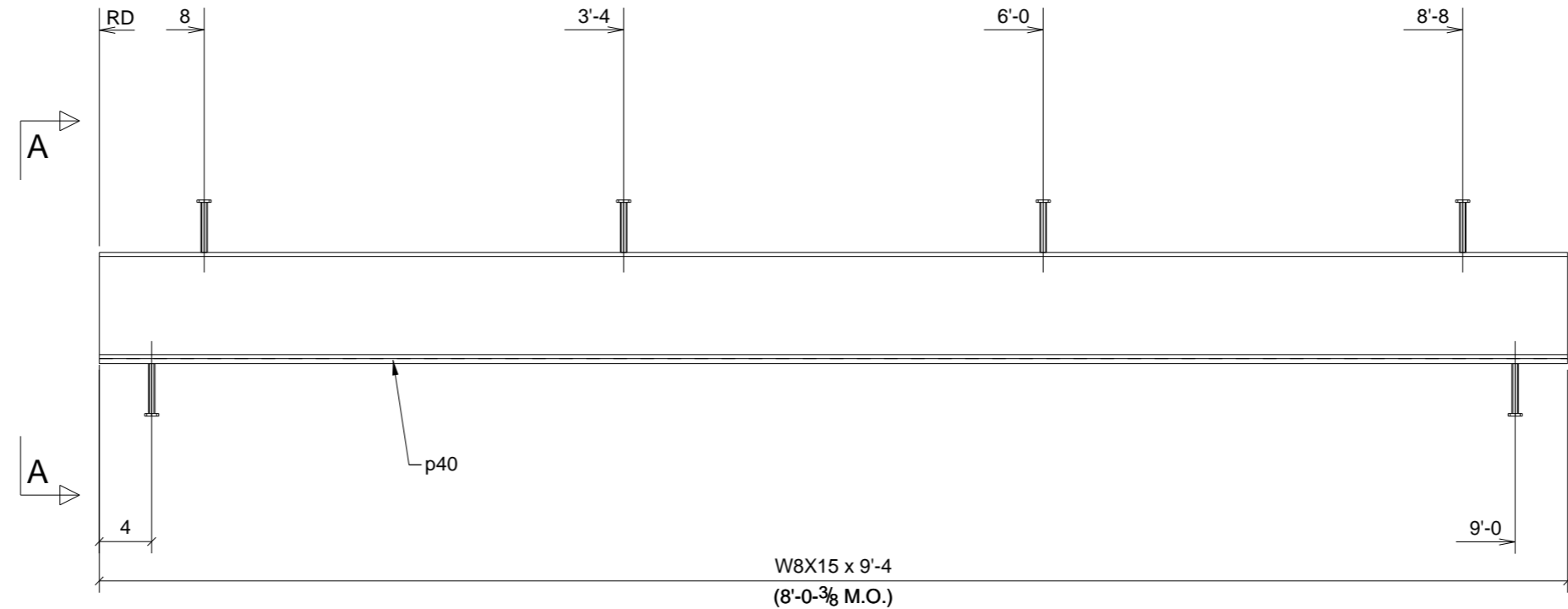
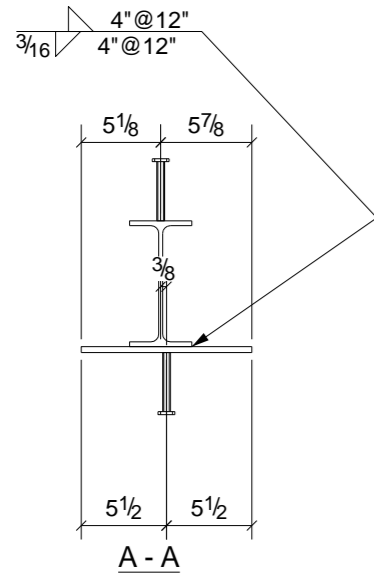


ONE - LINTEL - 12L13

A	For Approval	05/13/10	TMc	
0	For Fabrication F&F	6/09/10	TMc	TH
REV.	DESCRIPTION	DATE	DWN	CHK
GENERAL NOTES			JOB USE	
MATERIAL: A992 / A36		ELECTRODES: E70XX LH	REF. DRG.	
HOLES: 13/16 DIA. U/N		CONN'S.: -	SHOP	
SURFACE PREP. SSPC-SP-2			APPROVAL	
AND PAINT: GREY PRIMER DEVOE NA-195 (U.N.)				
DESCRIPTION: LINTEL				
PROJECT NAME		Ross Middle School Addition/Remodel		
LOCATION		Ross Local School District - Hamilton, O		
CONTRACTOR		Endeavor		
Avenue Fabricating Inc. 1281 Clough Pike Batavia, OH 45103 (513) 752-1911		DRAWN BY		DATE
		TMc		05/12/2010
		CHKD. BY		DATE
		TAN/TH		06/09/2010
JOB No.		DRG. No.	REV.	
10-10		12L13	2	

BILL OF MATERIAL

SHIP	MARK	NO PCS	DESCRIPTION	LENGTH	PIECE MARK	REMARKS
1	12L13	1	W8X18	8'-1"		SQ-2 A36 1 S/C STD PRIMER
		1	BAR3/8"X11"	8'-1"	p42	A36 1 S/C STD PRIMER
		6	H&B #359	0'-6 3/16"	x2	A36
		5	STUD 1/2" DIA	0'-4"		



FINISH: GALVANIZED

ONE - LINTEL - 12L14

A	For Approval	05/13/10	TMc	
0	For Fabrication F&F	6/09/10	TMc	TH
REV.	DESCRIPTION	DATE	DWN	CHK

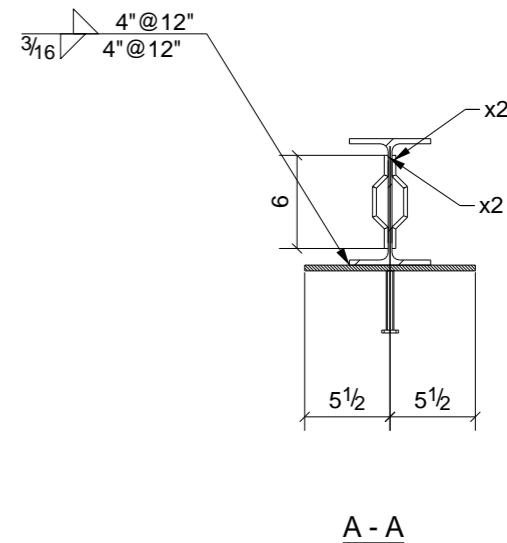
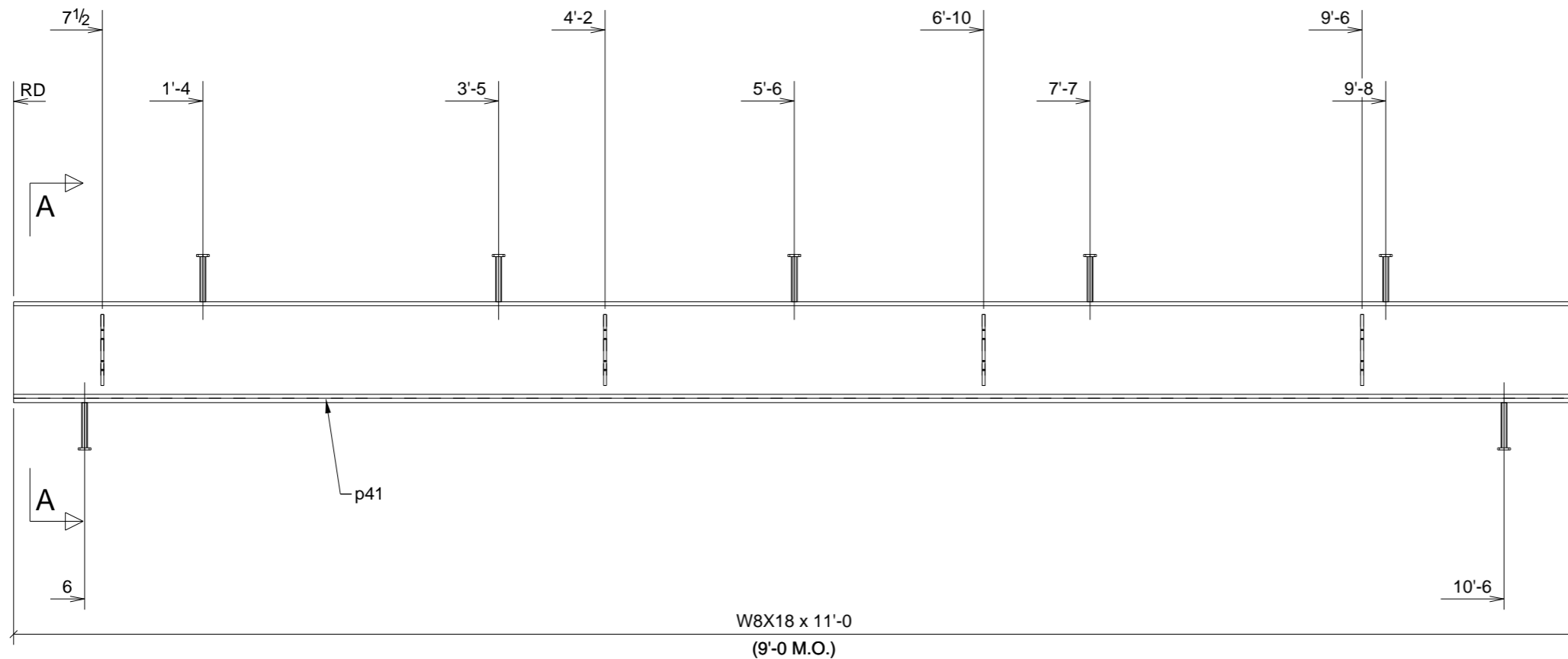
GENERAL NOTES			JOB USE
MATERIAL: A992 / A36	ELECTRODES: E70XX LH	REF. DRG.	SHOP
HOLES: 13/16 DIA. U/N	CONN'S.: -		APPROVAL
SURFACE PREP. SSPC-SP-2 AND PAINT: GREY PRIMER DEVOE NA-195 (U.N.)			
DESCRIPTION: LINTEL			
PROJECT NAME Ross Middle School Addition/Remodel LOCATION Ross Local School District - Hamilton, O			
CONTRACTOR Endeavor			

BILL OF MATERIAL

SHIP	MARK	NO PCS	DESCRIPTION	LENGTH	PIECE MARK	REMARKS
1	12L14	1	W8X15	9'-4"		SQ-2 A36 GALVANIZED
		1	BAR3/8"X11"	9'-4"	p40	A36 GALVANIZED
		6	STUD 1/2" DIA	0'-4"		

Avenue Fabricating Inc.
1281 Clough Pike
Batavia, OH 45103
(513) 752-1911

DRAWN BY TMc	DATE 05/12/2010
CHKD. BY TAN/TH	DATE 06/09/2010
JOB No. 10-10	DRG. No. 12L14
	REV. 2

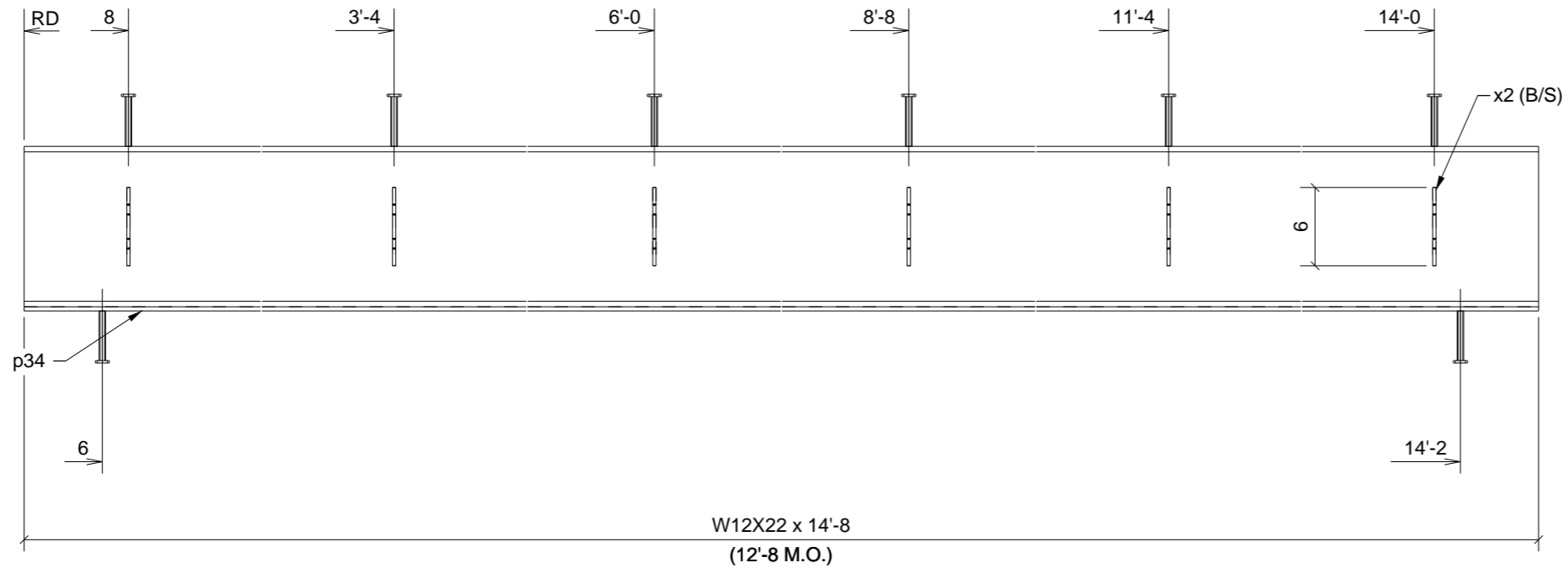


ONE - LINTEL - 12L15

A	For Approval	05/13/10	TMc	
0	For Fabrication F&F	6/09/10	TMc	TH
REV.	DESCRIPTION	DATE	DWN	CHK
GENERAL NOTES			JOB USE	
MATERIAL: A992 / A36	ELECTRODES: E70XX LH	REF. DRG.	SHOP	
HOLES: 13/16 DIA. U/N	CONN'S.: -		APPROVAL	
SURFACE PREP. SSPC-SP-2 AND PAINT: GREY PRIMER DEVOE NA-195 (U.N.)				
DESCRIPTION: LINTEL				
PROJECT NAME		Ross Middle School Addition/Remodel		
LOCATION		Ross Local School District - Hamilton, O		
CONTRACTOR		Endeavor		
<p style="text-align: center;">Avenue Fabricating Inc. 1281 Clough Pike Batavia, OH 45103 (513) 752-1911</p>		DRAWN BY	DATE	
		TMc	05/12/2010	
		CHKD. BY	DATE	
TAN/TH	06/09/2010			
JOB No.	DRG. No.	REV.		
10-10	12L15	2		

BILL OF MATERIAL

SHIP	MARK	NO PCS	DESCRIPTION	LENGTH	PIECE MARK	REMARKS
1	12L15	1	W8X18	11'-0"		SQ-2 A36 1 S/C STD PRIMER
		1	BAR3/8"X11"	11'-0"	p41	A36 1 S/C STD PRIMER
		8	H&B #359	0'-6 3/16"	x2	A36
		7	STUD 1/2" DIA	0'-4"		

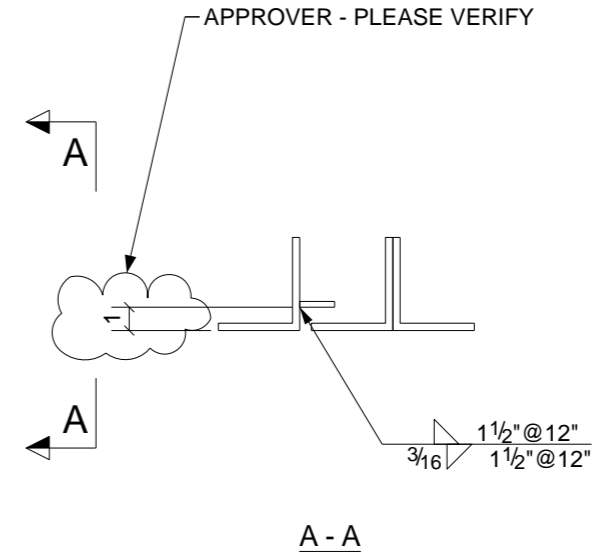
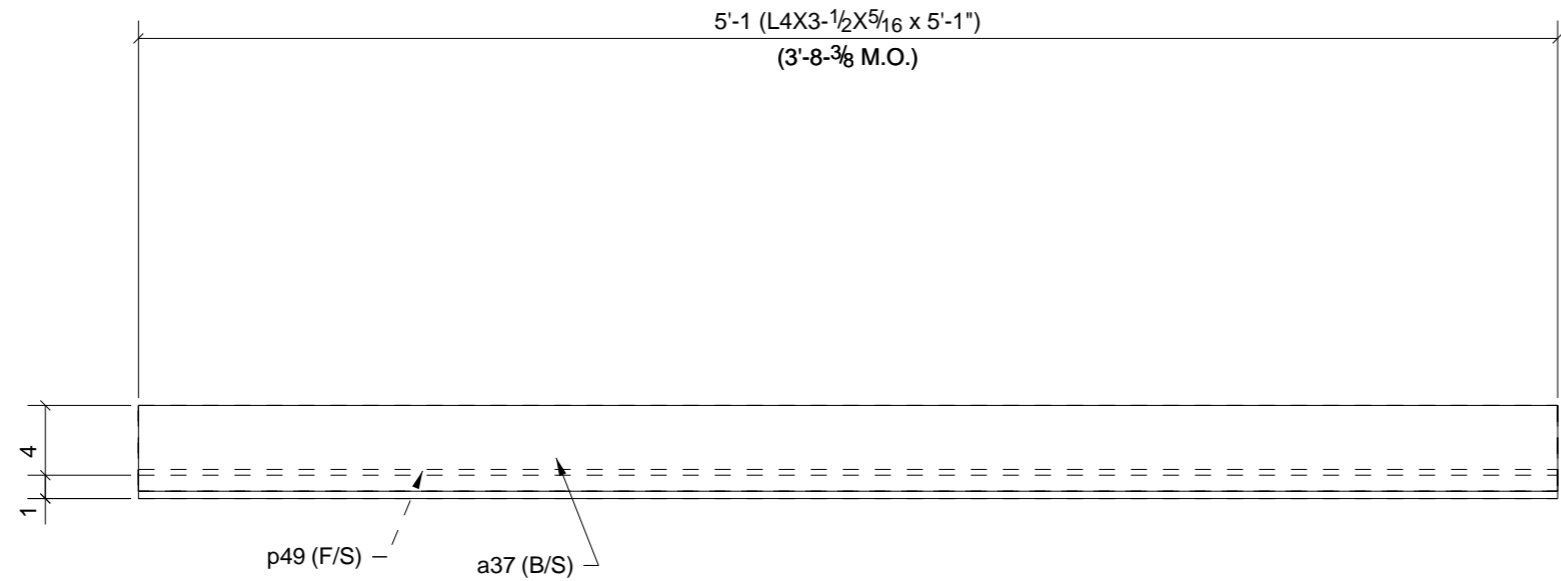


ONE - LINTEL - 12L16

A	For Approval	05/13/10	TMc	
0	For Fabrication F&F	6/09/10	TMc	TH
REV.	DESCRIPTION	DATE	DWN	CHK
GENERAL NOTES			JOB USE	
MATERIAL: A992 / A36	ELECTRODES: E70XX LH	REF. DRG.	SHOP	
HOLES: 13/16 DIA. U/N	CONN'S.: -		APPROVAL	
SURFACE PREP. SSPC-SP-2 AND PAINT: GREY PRIMER DEVOE NA-195 (U.N.)				
DESCRIPTION: LINTEL				
PROJECT NAME		Ross Middle School Addition/Remodel		
LOCATION		Ross Local School District - Hamilton, O		
CONTRACTOR		Endeavor		
Avenue Fabricating Inc. 1281 Clough Pike Batavia, OH 45103 (513) 752-1911		DRAWN BY	DATE	
		TMc	05/12/2010	
		CHKD. BY	DATE	
TAN/TH	06/09/2010			
JOB No.	DRG. No.	REV.		
10-10	12L16	2		

BILL OF MATERIAL

SHIP	MARK	NO PCS	DESCRIPTION	LENGTH	PIECE MARK	REMARKS
1	12L16	1	W12X22	14'-8"		SQ-2 A992 1 S/C STD PRIMER
		1	BAR5/16"X7"	14'-8"	p34	A36
		12	H&B #359	0'-6 3/16"	x2	A36
		8	STUD 1/2" DIA	0'-4"		



14 - LINTELS - 12L18

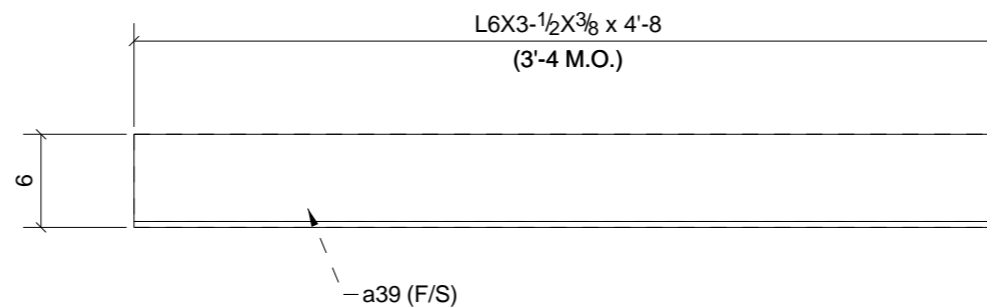
BILL OF MATERIAL

SHIP	MARK	NO PCS	DESCRIPTION	LENGTH	PIECE MARK	REMARKS
14	12L18	14	L4X3-1/2X5/16	5'-1"		SQ-2 A36 GALVANIZED
		28	L4X3-1/2X5/16	5'-1"	a37	A36 GALVANIZED
		14	BAR1/4"X1 1/2"	5'-1"	p49	A36

A	For Approval	05/13/10	TMc	
0	For Fabrication F&F	6/09/10	TMc	TH
REV.	DESCRIPTION	DATE	DWN	CHK

GENERAL NOTES			JOB USE
MATERIAL: A992 / A36	ELECTRODES: E70XX LH	REF. DRG.	SHOP
HOLES: 13/16 DIA. U/N	CONN'S.: -		APPROVAL
SURFACE PREP. SSPC-SP-2 AND PAINT: GREY PRIMER DEVOE NA-195 (U.N.)			
DESCRIPTION: LINTEL			
PROJECT NAME Ross Middle School Addition/Remodel LOCATION Ross Local School District - Hamilton, O			
CONTRACTOR Endeavor			

Avenue Fabricating Inc. 1281 Clough Pike Batavia, OH 45103 (513) 752-1911		DRAWN BY TMc	DATE 05/12/2010
		CHKD. BY TAN/TH	DATE 06/09/2010
		JOB No. 10-10	DRG. No. 12L18



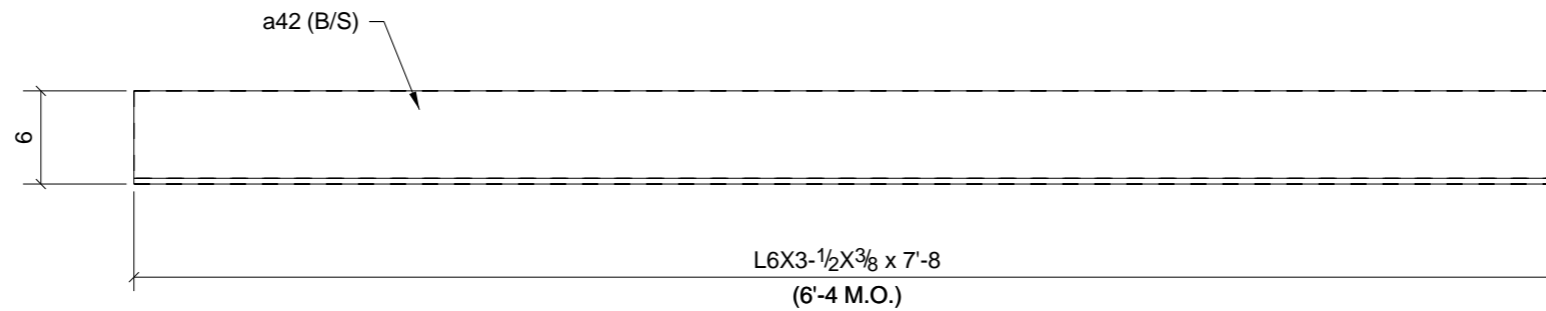
4 - LINTELS - 12L19

(2 ANGLES EACH LENGTH)

BILL OF MATERIAL

SHIP	MARK	NO PCS	DESCRIPTION	LENGTH	PIECE MARK	REMARKS
4	12L19	4	L6X3-1/2X3/8	4'-8"		SQ-2 A36 1 S/C STD PRIMER
		4	L6X3-1/2X3/8	4'-8"	a39	A36 1 S/C STD PRIMER

A	For Approval	05/13/10	TMc	
0	For Fabrication F&F	6/09/10	TMc	TH
REV.	DESCRIPTION	DATE	DWN	CHK
GENERAL NOTES			JOB USE	
MATERIAL: A992 / A36	ELECTRODES: E70XX LH	REF. DRG.	SHOP	
HOLES: 13/16 DIA. U/N	CONN'S.: -		APPROVAL	
SURFACE PREP. SSPC-SP-2 AND PAINT: GREY PRIMER DEVOE NA-195 (U.N.)				
DESCRIPTION: LINTEL				
PROJECT NAME Ross Middle School Addition/Remodel LOCATION Ross Local School District - Hamilton, O				
CONTRACTOR Endeavor				
Avenue Fabricating Inc. 1281 Clough Pike Batavia, OH 45103 (513) 752-1911			DRAWN BY TMc	DATE 05/12/2010
			CHKD. BY TAN/TH	DATE 06/09/2010
			JOB No. 10-10	DRG. No. 12L19 REV. 2



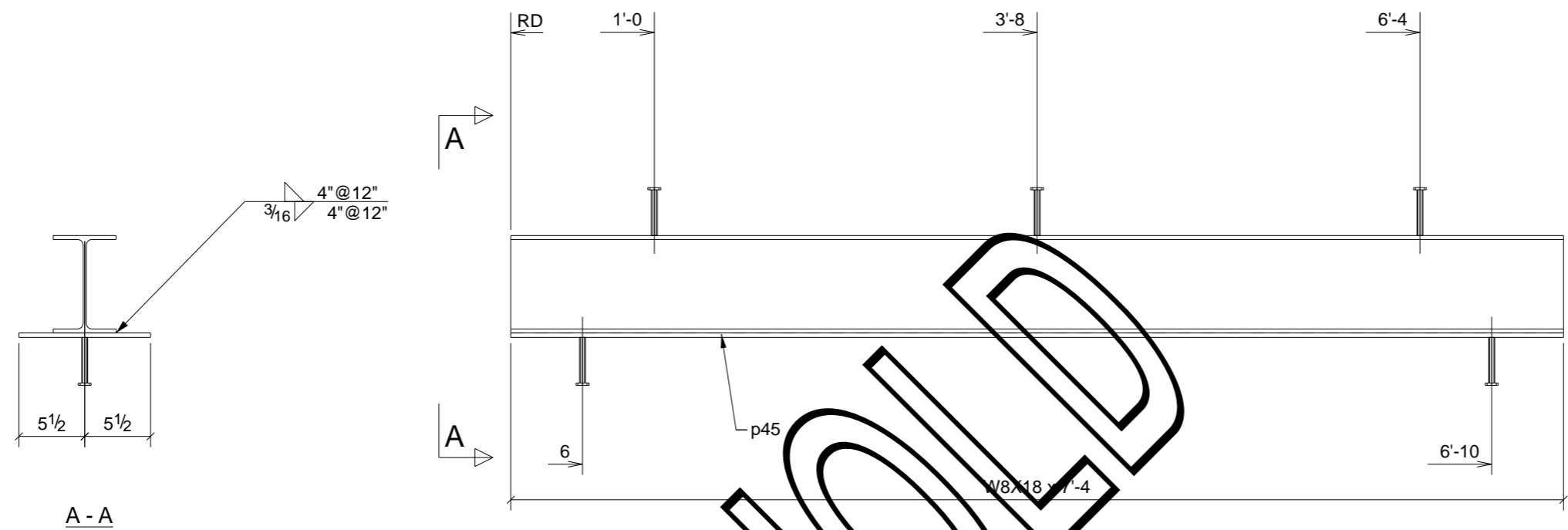
ONE - LINTEL - 12L2

BILL OF MATERIAL

SHIP	MARK	NO PCS	DESCRIPTION	LENGTH	PIECE MARK	REMARKS
1	12L2	1	L6X3-1/2X3/8	7'-8"		SQ-2 A36 1 S/C STD PRIMER
		2	L6X3-1/2X3/8	7'-8"	a42	A36 1 S/C STD PRIMER

A	For Approval	05/13/10	TMc	
0	For Fabrication F&F	6/09/10	TMc	TH
REV.	DESCRIPTION	DATE	DWN	CHK
GENERAL NOTES			JOB USE	
MATERIAL: A992 / A36	ELECTRODES: E70XX LH	REF. DRG.	SHOP	
HOLES: 13/16 DIA. U/N	CONN'S.: -		APPROVAL	
SURFACE PREP. SSPC-SP-2 AND PAINT: GREY PRIMER DEVOE NA-195 (U.N.)				
DESCRIPTION: LINTEL				
PROJECT NAME Ross Middle School Addition/Remodel LOCATION Ross Local School District - Hamilton, O				
CONTRACTOR Endeavor				
Avenue Fabricating Inc. 1281 Clough Pike Batavia, OH 45103 (513) 752-1911			DRAWN BY	DATE
			TMc	05/12/2010
			CHKD. BY	DATE
TAN/TH	06/09/2010	JOB No.	DRG. No.	REV.
10-10	12L2	10-10	12L2	3

RFI #	INFORMATION
DATE:	STATUS:
DESC.	



ONE - LINTEL - 12L20

A	For Approval	05/13/10	TMc	
0	For Fabrication F&F	6/09/10	TMc	TH
REV.	DESCRIPTION	DATE	DWN	CHK

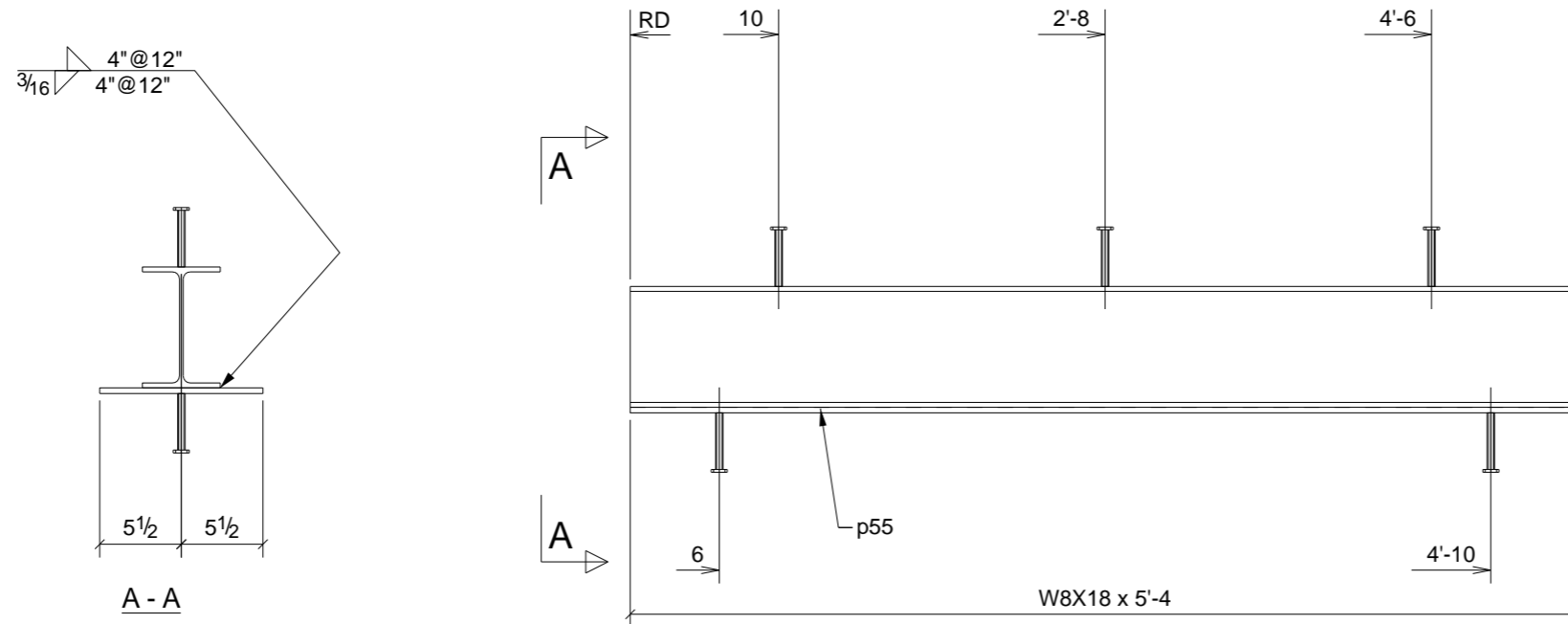
GENERAL NOTES			JOB USE
MATERIAL: A992 / A36	ELECTRODES: E70XX LH	REF. DRG.	SHOP
HOLES: 13/16 DIA. U/N	CONN'S.: -		APPROVAL
SURFACE PREP. SSPC-SP-2 AND PAINT: GREY PRIMER DEVOE NA-195 (U.N.)			
DESCRIPTION: LINTEL			
PROJECT NAME Ross Middle School Addition/Remodel LOCATION Ross Local School District - Hamilton, O			
CONTRACTOR Endeavor			

BILL OF MATERIAL

SHIP	MARK	NO PCS	DESCRIPTION	LENGTH	PIECE MARK	REMARKS
1	12L20	1	W8X18	7'-4"		SQ-2 A36 1 S/C STD PRIMER
		1	BAR3/8"X11"	7'-4"	p45	A36 1 S/C STD PRIMER
		5	STUD 1/2" DIA	0'-4"		

Avenue Fabricating Inc.
1281 Clough Pike
Batavia, OH 45103
(513) 752-1911

DRAWN BY TMc	DATE 05/12/2010
CHKD. BY TAN/TH	DATE 06/09/2010
JOB No. 10-10	DRG. No. 12L20
	REV. 2



ONE - LINTEL - 12L21

A	For Approval	05/13/10	TMc	
0	For Fabrication F&F	6/09/10	TMc	TH
REV.	DESCRIPTION	DATE	DWN	CHK

GENERAL NOTES			JOB USE
MATERIAL: A992 / A36	ELECTRODES: E70XX LH	REF. DRG.	SHOP
HOLES: 13/16 DIA. U/N	CONN'S.: -		APPROVAL
SURFACE PREP. SSPC-SP-2 AND PAINT: GREY PRIMER DEVOE NA-195 (U.N.)			
DESCRIPTION: LINTEL			
PROJECT NAME Ross Middle School Addition/Remodel LOCATION Ross Local School District - Hamilton, O			
CONTRACTOR Endeavor			

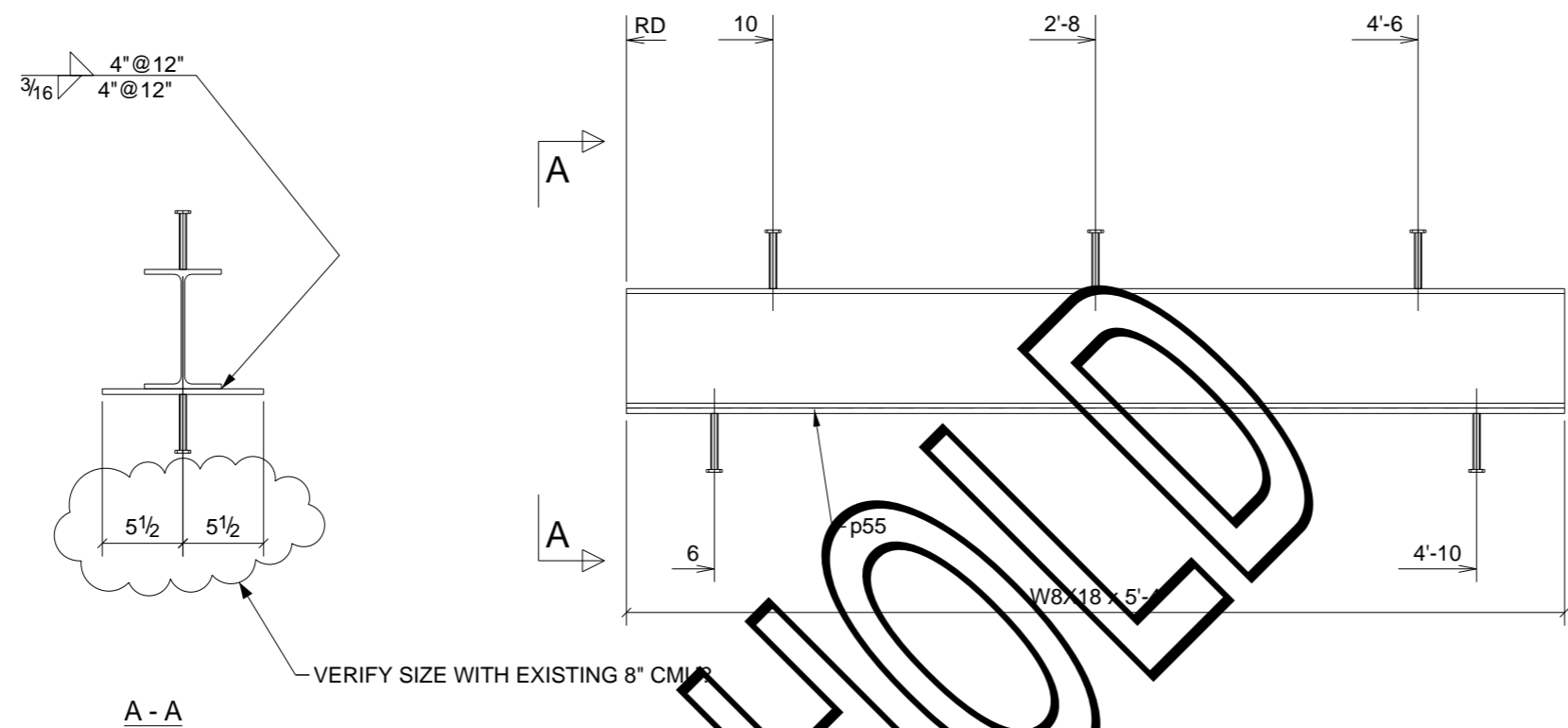
BILL OF MATERIAL

SHIP	MARK	NO PCS	DESCRIPTION	LENGTH	PIECE MARK	REMARKS
1	12L21	1	W8X18	5'-4"		SQ-2 A36 1 S/C STD PRIMER
		1	BAR3/8"X11"	5'-4"	p55	A36 1 S/C STD PRIMER
		5	STUD 1/2" DIA	0'-4"		

Avenue Fabricating Inc.
1281 Clough Pike
Batavia, OH 45103
(513) 752-1911

DRAWN BY TMc	DATE 05/12/2010
CHKD. BY TAN/TH	DATE 06/09/2010
JOB No. 10-10	DRG. No. 12L21
	REV. 2

RFI #	INFORMATION
DATE:	STATUS:
DESC.	



ONE - LINTEL - 12L21

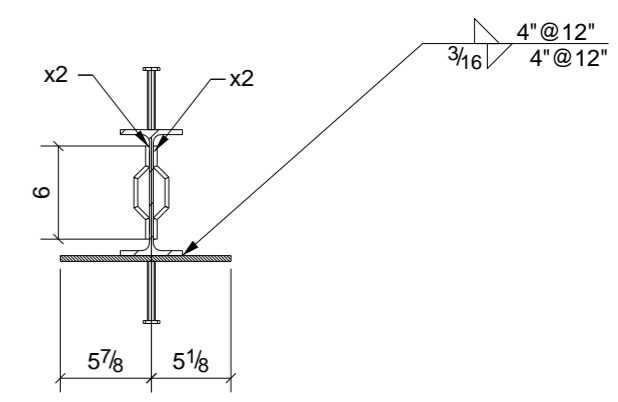
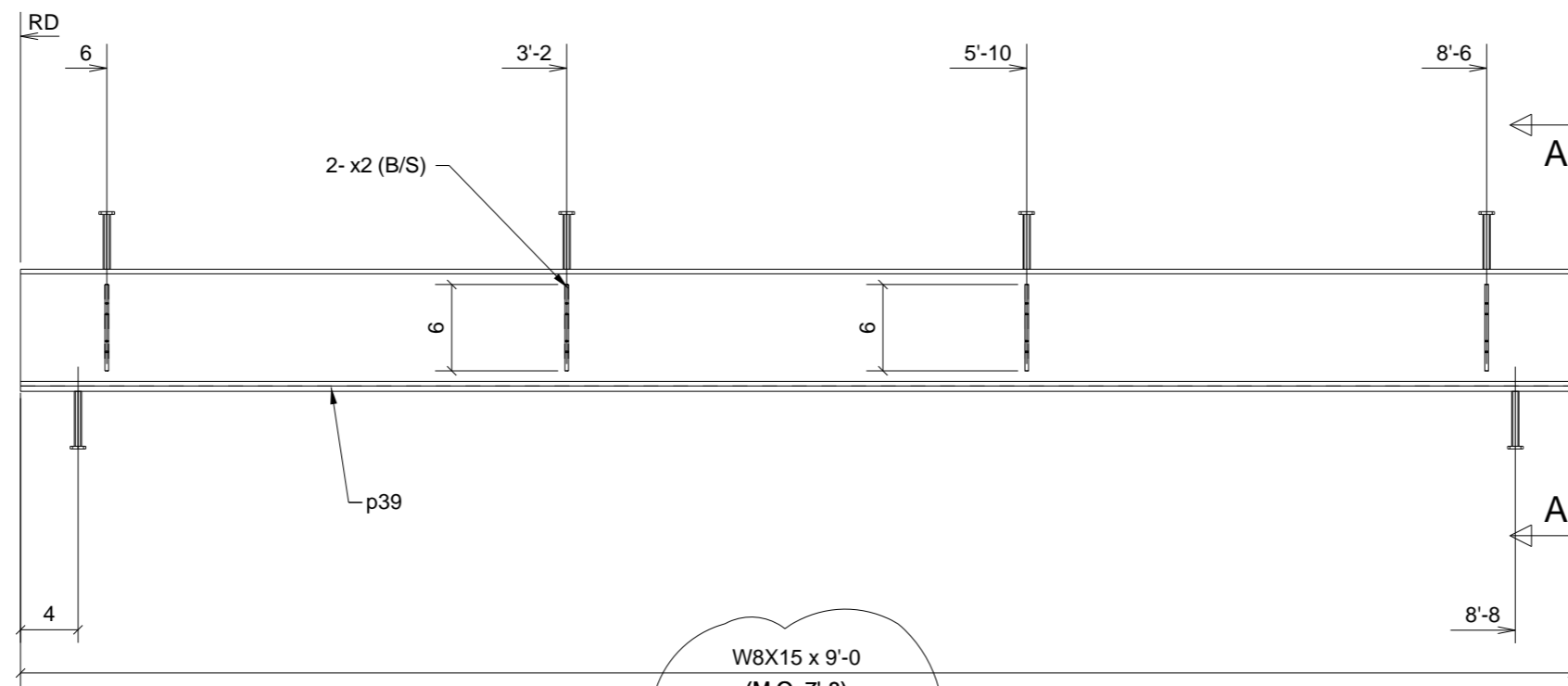
A	For Approval	05/13/10	TMc	
0	For Fabrication F&F	6/09/10	TMc	TH
REV.	DESCRIPTION	DATE	DWN	CHK

GENERAL NOTES			JOB USE
MATERIAL: A992 / A36	ELECTRODES: E70XX LH	REF. DRG.	SHOP
HOLES: 13/16 DIA. U/N	CONN'S.: -		APPROVAL
SURFACE PREP. SSPC-SP-2 AND PAINT: GREY PRIMER DEVOE NA-195 (U.N.)			
DESCRIPTION: LINTEL			
PROJECT NAME Ross Middle School Addition/Remodel LOCATION Ross Local School District - Hamilton, O			
CONTRACTOR Endeavor			

BILL OF MATERIAL						
SHIP	MARK	NO PCS	DESCRIPTION	LENGTH	PIECE MARK	REMARKS
1	12L21	1	W8X18	5'-4"		SQ-2 A36 1 S/C STD PRIMER
		1	BAR3/8"X11"	5'-4"	p55	A36 1 S/C STD PRIMER
		5	STUD 1/2" DIA	0'-4"		

Avenue Fabricating Inc.
1281 Clough Pike
Batavia, OH 45103
(513) 752-1911

DRAWN BY TMc	DATE 05/12/2010
CHKD. BY TAN/TH	DATE 06/09/2010
JOB No. 10-10	DRG. No. 12L21
	REV. 2



A - A

ONE LINTEL IS ON HOLD UNTIL SIZE IS VERIFIED WITH RELOCATED WINDOW, REF: RFI ON E1

W8X15 x 9'-0
(M.O. 7'-8)

FINISH: GALVANIZED

2 - LINTELS - 12L22

A	For Approval	05/13/10	TMc	
0	For Fabrication F&F	6/09/10	TMc	TH
REV.	DESCRIPTION	DATE	DWN	CHK

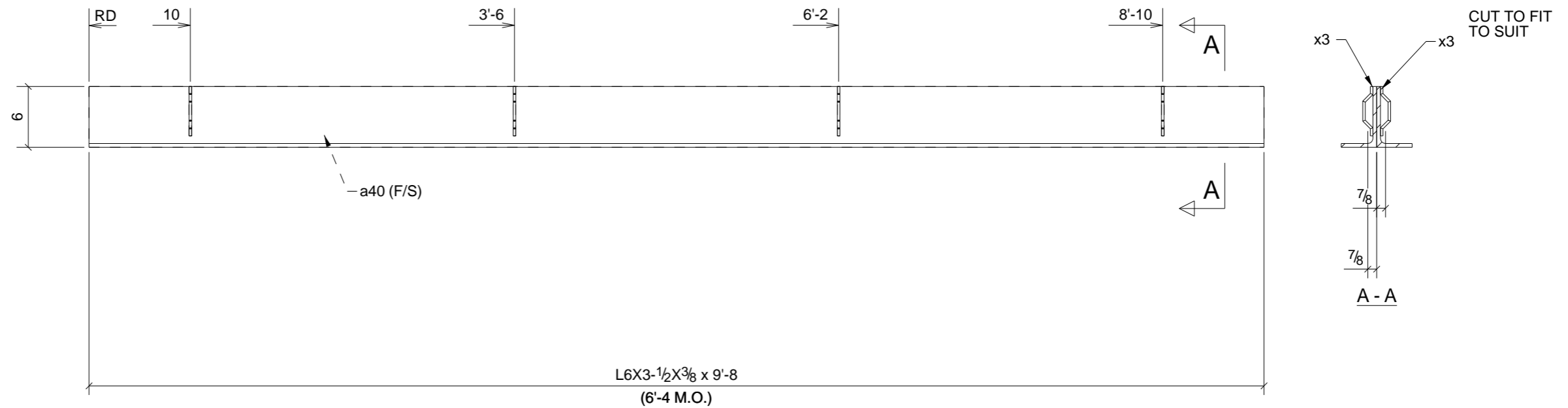
GENERAL NOTES			JOB USE
MATERIAL: A992 / A36	ELECTRODES: E70XX LH	REF. DRG.	SHOP
HOLES: 13/16 DIA. U/N	CONN'S.: -		APPROVAL
SURFACE PREP: SSPC-SP-2 AND PAINT: GREY PRIMER DEVOE NA-195 (U.N.)			

DESCRIPTION:	LINTEL
PROJECT NAME	Ross Middle School Addition/Remodel
LOCATION	Ross Local School District - Hamilton, O
CONTRACTOR	Endeavor

BILL OF MATERIAL

SHIP	MARK	NO PCS	DESCRIPTION	LENGTH	PIECE MARK	REMARKS
2	12L22	2	W8X15	9'-0"		SQ-2 A36 GALVANIZED
		2	BAR3/8"X11"	9'-0"	p39	A36 GALVANIZED
		16	H&B #359	0'-6 3/16"	x2	A36
		12	STUD 1/2" DIA	0'-4"		

<p>Avenue Fabricating Inc. 1281 Clough Pike Batavia, OH 45103 (513) 752-1911</p>		DRAWN BY	DATE
		TMc	05/12/2010
		CHKD. BY	DATE
		TAN/TH	06/09/2010
JOB No.	DRG. No.	REV.	
10-10	12L22	2	



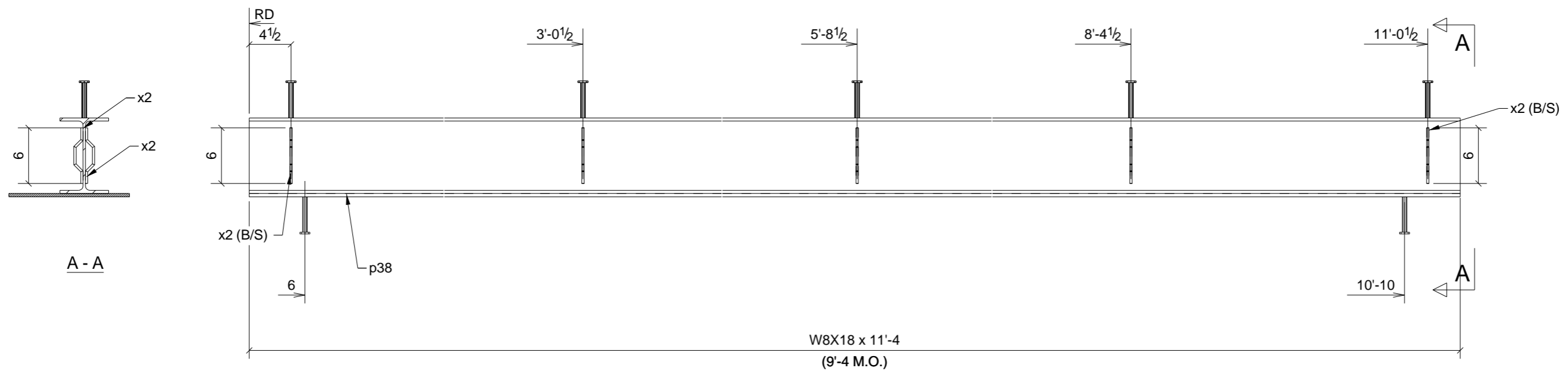
2 - LINTELS - 12L23

A	For Approval	05/13/10	TMc	
0	For Fabrication F&F	6/09/10	TMc	TH
REV.	DESCRIPTION	DATE	DWN	CHK

GENERAL NOTES			JOB USE	
MATERIAL: A992 / A36	ELECTRODES: E70XX LH	REF. DRG.	SHOP	
HOLES: 13/16 DIA. U/N	CONN'S.: -		APPROVAL	
SURFACE PREP. SSPC-SP-2 AND PAINT: GREY PRIMER DEVOE NA-195 (U.N.)				
DESCRIPTION: LINTEL				
PROJECT NAME Ross Middle School Addition/Remodel LOCATION Ross Local School District - Hamilton, O				
CONTRACTOR Endeavor				

BILL OF MATERIAL						
SHIP	MARK	NO PCS	DESCRIPTION	LENGTH	PIECE MARK	REMARKS
2	12L23	2	L6X3-1/2X3/8	9'-8"		SQ-2 A36 1 S/C STD PRIMER
		2	L6X3-1/2X3/8	9'-8"	a40	A36 1 S/C STD PRIMER
		16	H&B #359	0'-5 1/16"	x3	A36

Avenue Fabricating Inc. 1281 Clough Pike Batavia, OH 45103 (513) 752-1911		DRAWN BY TMc	DATE 05/12/2010
		CHKD. BY TAN/TH	DATE 06/09/2010
		JOB No. 10-10	DRG. No. 12L23



2 - LINTELS - 12L24

A	For Approval	05/13/10	TMc	
0	For Fabrication F&F	6/09/10	TMc	TH
REV.	DESCRIPTION	DATE	DWN	CHK

GENERAL NOTES

MATERIAL: A992 / A36	ELECTRODES: E70XX LH	REF. DRG.	JOB USE
HOLES: 13/16 DIA. U/N	CONN'S.: -		SHOP
SURFACE PREP. SSPC-SP-2 AND PAINT: GREY PRIMER DEVOE NA-195 (U.N.)			APPROVAL

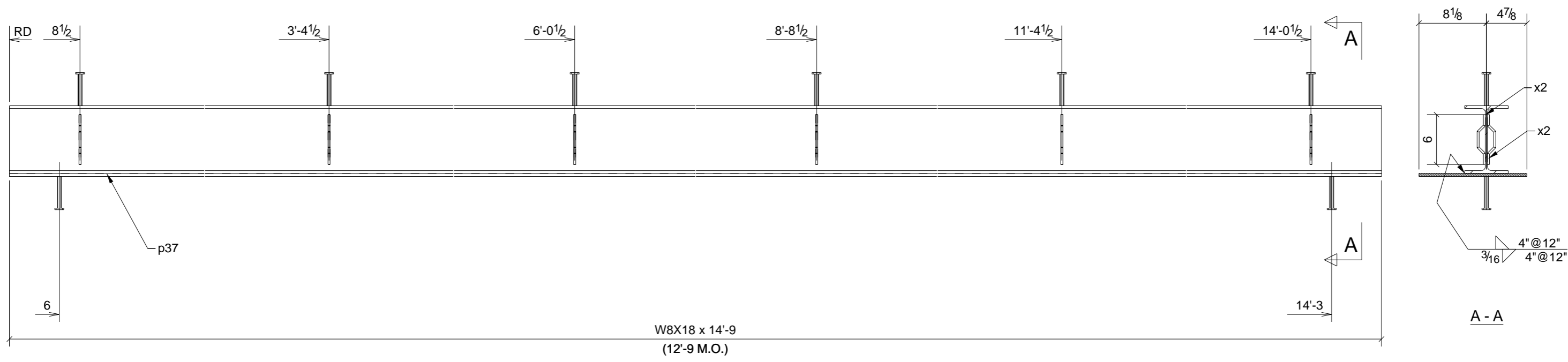
DESCRIPTION:	LINTEL
PROJECT NAME	Ross Middle School Addition/Remodel
LOCATION	Ross Local School District - Hamilton, O
CONTRACTOR	Endeavor

BILL OF MATERIAL

SHIP	MARK	NO PCS	DESCRIPTION	LENGTH	PIECE MARK	REMARKS
2	12L24	2	W8X18	11'-4"		SQ-2 A992 GALVANIZED
		2	PL3/8"X13"	11'-4"	p38	A36 GALVANIZED
		20	H&B #359	0'-6 3/16"	x2	A36
		24	STUD 1/2" DIA	0'-4"		

Avenue Fabricating Inc.
 1281 Clough Pike
 Batavia, OH 45103
 (513) 752-1911

DRAWN BY	TMc	DATE	05/12/2010
CHKD. BY	TAN/TH	DATE	06/09/2010
JOB No.	10-10	DRG. No.	12L24
		REV.	2



W8X18 x 14'-9
(12'-9 M.O.)

FINISH: GALVANIZED

2 - LINTELS - 12L25

A	For Approval	05/13/10	TMc	
0	For Fabrication F&F	6/09/10	TMc	TH
REV.	DESCRIPTION	DATE	DWN	CHK

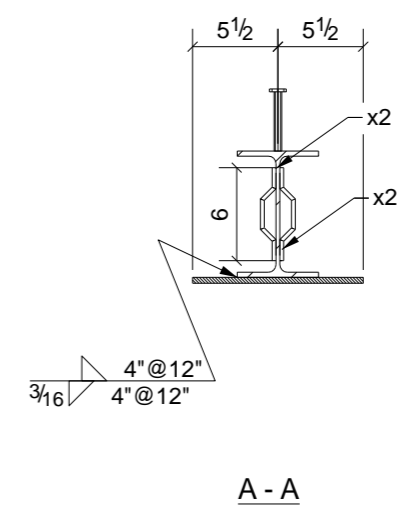
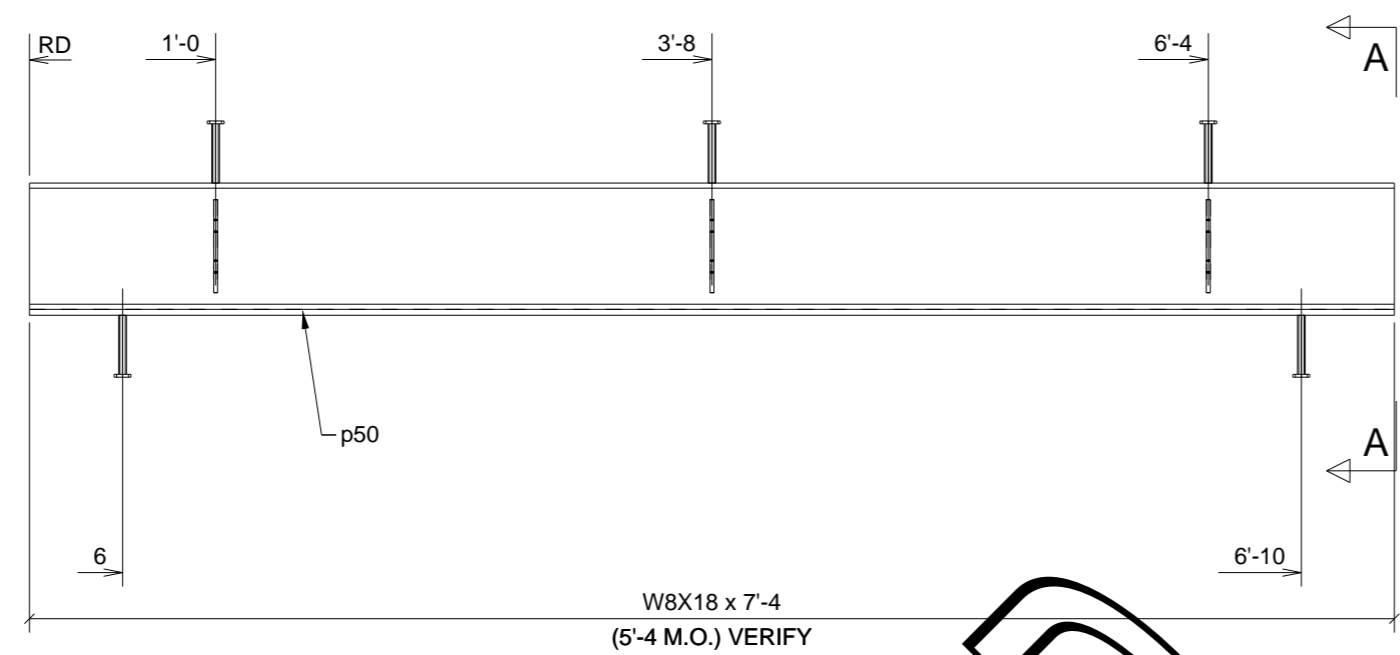
GENERAL NOTES			JOB USE
MATERIAL: A992 / A36	ELECTRODES: E70XX LH	REF. DRG.	SHOP
HOLES: 13/16 DIA. U/N	CONN'S.: -		APPROVAL
SURFACE PREP. SSPC-SP-2 AND PAINT: GREY PRIMER DEVOE NA-195 (U.N.)			

DESCRIPTION:	LINTEL
PROJECT NAME	Ross Middle School Addition/Remodel
LOCATION	Ross Local School District - Hamilton, O
CONTRACTOR	Endeavor

BILL OF MATERIAL						
SHIP	MARK	NO PCS	DESCRIPTION	LENGTH	PIECE MARK	REMARKS
2	12L25	2	W8X18	14'-9"		SQ-2 A992 GALVANIZED
		2	PL3/8"X13"	14'-9"	p37	A36 GALVANIZED
		24	H&B #359	0'-6 3/16"	x2	A36
		16	STUD 1/2" DIA	0'-4"		

Avenue Fabricating Inc. 1281 Clough Pike Batavia, OH 45103 (513) 752-1911			DRAWN BY	DATE
			TMc	05/12/2010
			CHKD. BY	DATE
			TAN/TH	06/09/2010
JOB No.	DRG. No.	REV.		
10-10	12L25	2		

RFI #	INFORMATION
DATE:	STATUS:
DESC.	



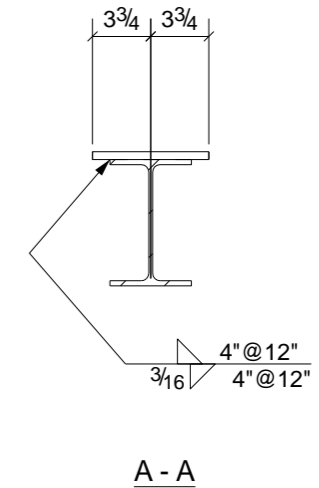
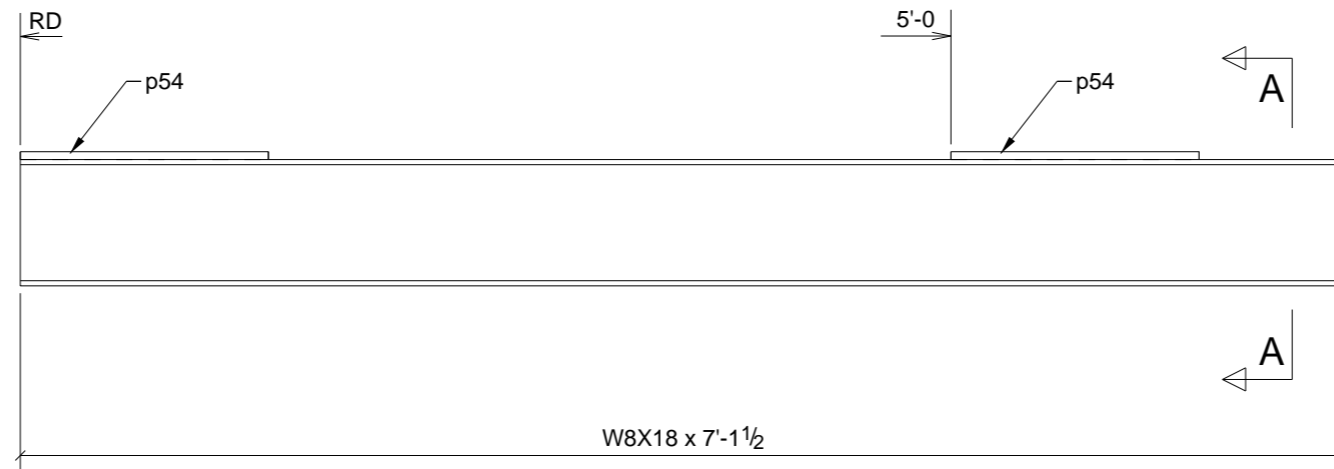
HOLD

ONE - LINTEL - 12L26

A	For Approval	05/13/10	TMc
REV.	DESCRIPTION	DATE	DWN
GENERAL NOTES			JOB USE
MATERIAL: A992 / A36	ELECTRODES: E70XX LH	REF. DRG.	SHOP
HOLES: 13/16 DIA. U/N	CONN'S.: -		APPROVAL
SURFACE PREP. SSPC-SP-2 AND PAINT: GREY PRIMER DEVOE NA-195 (U.N.)			
DESCRIPTION: LINTEL			
PROJECT NAME		Ross Middle School Addition/Remodel	
LOCATION		Ross Local School District - Hamilton, O	
CONTRACTOR		Endeavor	
Avenue Fabricating Inc. 1281 Clough Pike Batavia, OH 45103 (513) 752-1911		DRAWN BY TMc	DATE 05/13/2010
		CHKD. BY TAN	DATE
		JOB No. 10-10	DRG. No. 12L26
		REV. 1	

BILL OF MATERIAL

SHIP	MARK	NO PCS	DESCRIPTION	LENGTH	PIECE MARK	REMARKS
1	12L26	1	W8X18	7'-4"		SQ-2 A36 1 S/C STD PRIMER
		1	BAR3/8"X11"	7'-4"	p50	A36 1 S/C STD PRIMER
		6	H&B #359	0'-6 3/16"	x2	A36
		5	STUD 1/2" DIA	0'-4"		



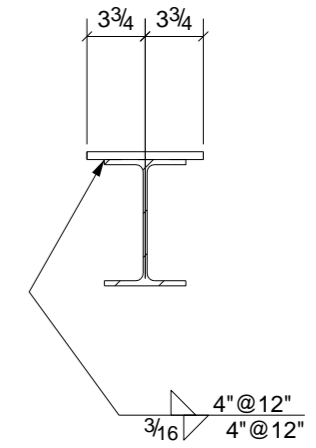
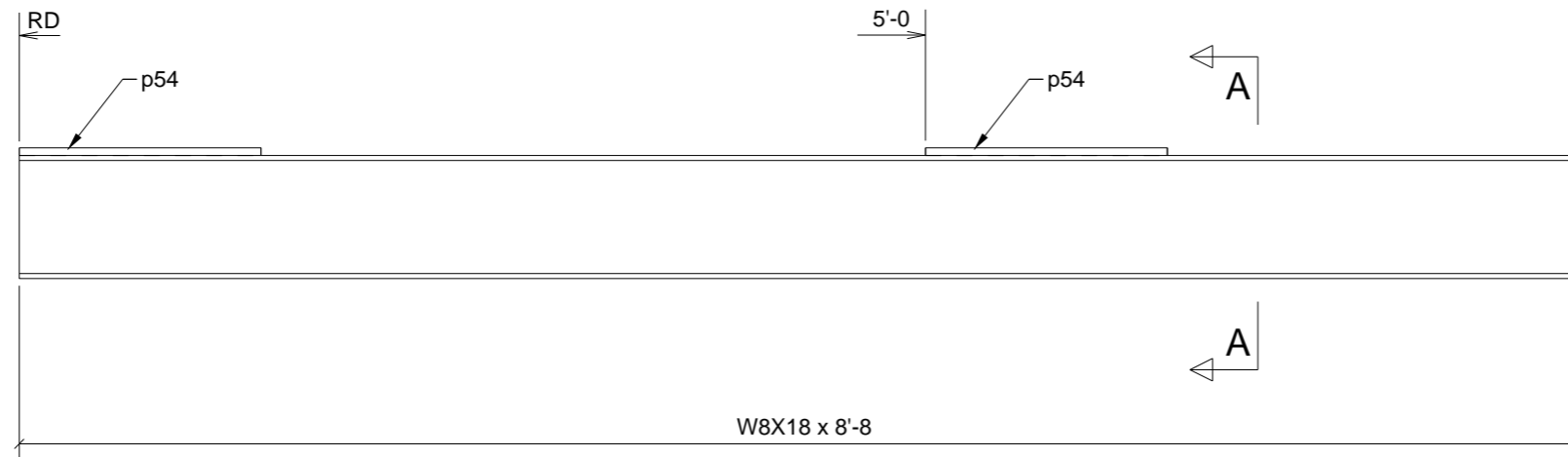
4 - LINTELS - 12L27

FINISH: 1 S/C STD PRIMER

A	For Approval	05/13/10	TMc	
0	For Fabrication F&F	6/09/10	TMc	TH
REV.	DESCRIPTION	DATE	DWN	CHK
GENERAL NOTES			JOB USE	
MATERIAL: A992 / A36	ELECTRODES: E70XX LH	REF. DRG.	SHOP	
HOLES: 13/16 DIA. U/N	CONN'S.: -		APPROVAL	
SURFACE PREP. SSPC-SP-2 AND PAINT: GREY PRIMER DEVOE NA-195 (U.N.)				
DESCRIPTION: LINTEL				
PROJECT NAME Ross Middle School Addition/Remodel LOCATION Ross Local School District - Hamilton, O				
CONTRACTOR Endeavor				
Avenue Fabricating Inc. 1281 Clough Pike Batavia, OH 45103 (513) 752-1911			DRAWN BY TMc	DATE 05/12/2010
			CHKD. BY TAN	DATE 06/09/2010
			JOB No. 10-10	DRG. No. 12L27 REV. 2

BILL OF MATERIAL

SHIP	MARK	NO PCS	DESCRIPTION	LENGTH	PIECE MARK	REMARKS
4	12L27	4	W8X18	7'-1 1/2"		SQ-2 A992 1 S/C STD PRIMER
		8	BAR1/2"X7 1/2"	1'-4"	p54	A36



A - A

2 - LINTELS - 12L28

FINISH: 1 S/C STD PRIMER

A	For Approval	05/13/10	TMc	
0	For Fabrication F&F	6/09/10	TMc	TH
REV.	DESCRIPTION	DATE	DWN	CHK

GENERAL NOTES

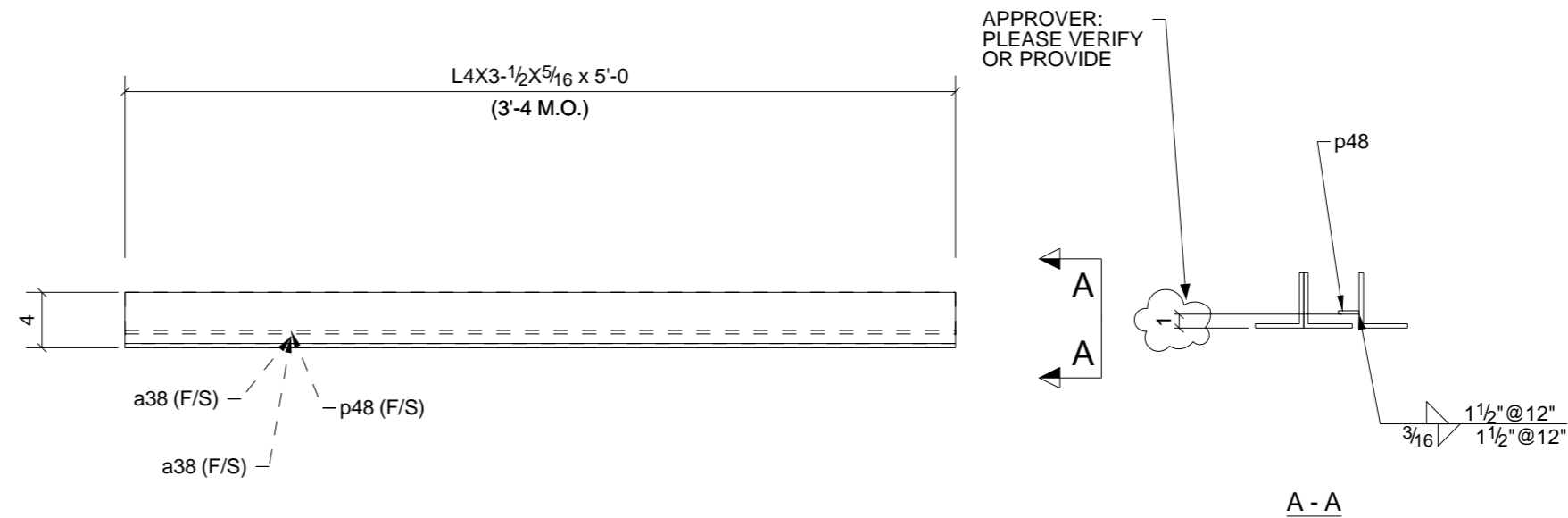
MATERIAL: A992 / A36	ELECTRODES: E70XX LH	REF. DRG.	JOB USE
HOLES: 13/16 DIA. U/N	CONN'S.: -		SHOP
SURFACE PREP. SSPC-SP-2 AND PAINT: GREY PRIMER DEVOE NA-195 (U.N.)			APPROVAL
DESCRIPTION: LINTEL			
PROJECT NAME: Ross Middle School Addition/Remodel			
LOCATION: Ross Local School District - Hamilton, O			
CONTRACTOR: Endeavor			

BILL OF MATERIAL

SHIP	MARK	NO PCS	DESCRIPTION	LENGTH	PIECE MARK	REMARKS
2	12L28	2	W8X18	8'-8"		SQ-2 A992 1 S/C STD PRIMER
		4	BAR1/2"X7 1/2"	1'-4"	p54	A36

Avenue Fabricating Inc.
 1281 Clough Pike
 Batavia, OH 45103
 (513) 752-1911

DRAWN BY TMc	DATE 05/12/2010
CHKD. BY TAN	DATE 06/09/2010
JOB No. 10-10	DRG. No. 12L28
	REV. 2



3 - LINTELS - 12L29

A	For Approval (SUBMITTED AS 12L3)	05/13/10	TMc	
0	For Fabrication F&F	6/09/10	TMc	TH
REV.	DESCRIPTION	DATE	DWN	CHK

GENERAL NOTES			JOB USE
MATERIAL: A992 / A36	ELECTRODES: E70XX LH	REF. DRG.	SHOP
HOLES: 13/16 DIA. U/N	CONN'S.: -		APPROVAL
SURFACE PREP. SSPC-SP-2 AND PAINT: GREY PRIMER DEVOE NA-195 (U.N.)			
DESCRIPTION: LINTEL			
PROJECT NAME Ross Middle School Addition/Remodel LOCATION Ross Local School District - Hamilton, O			
CONTRACTOR Endeavor			

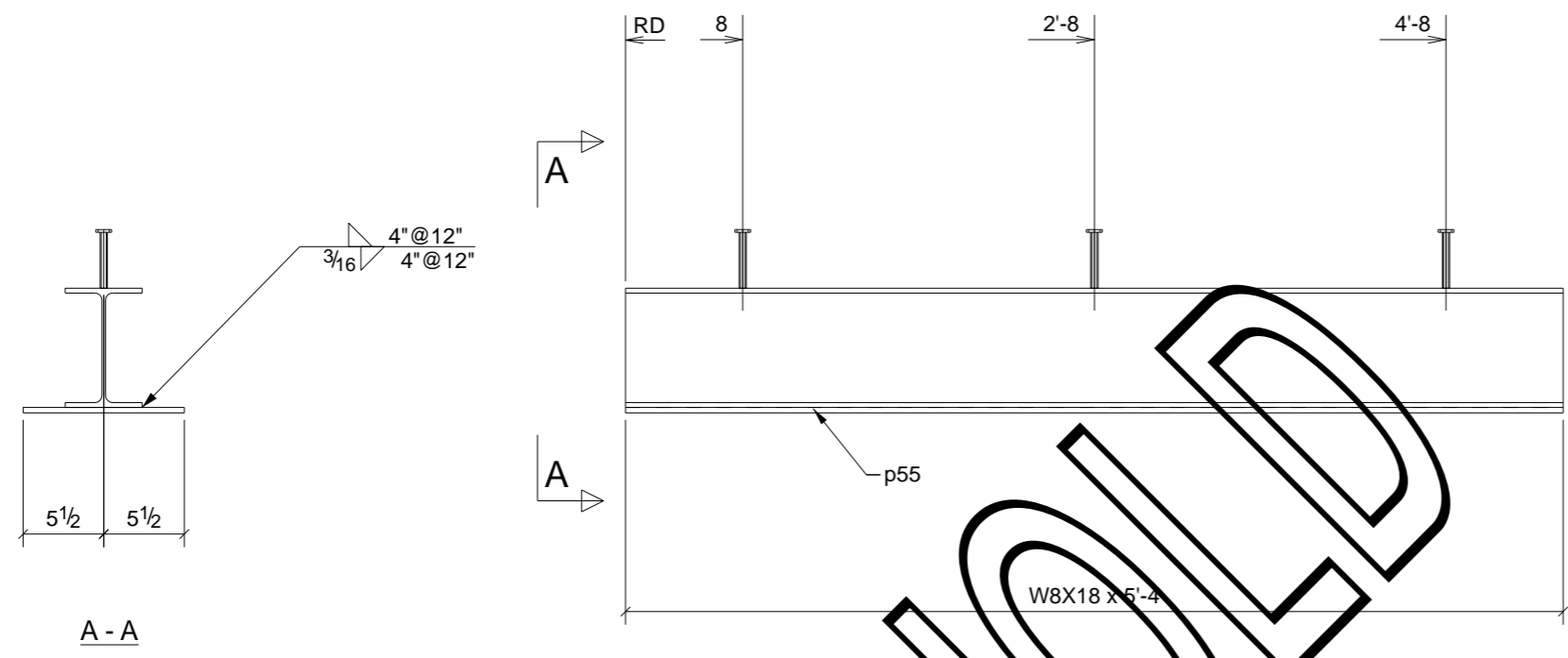
BILL OF MATERIAL

SHIP	MARK	NO PCS	DESCRIPTION	LENGTH	PIECE MARK	REMARKS
3	12L29	3	L4X3-1/2X5/16	5'-0"		SQ-2 A36 GALVANIZED
		6	L4X3-1/2X5/16	5'-0"	a38	A36 GALVANIZED
		3	BAR1/4"X1 1/2"	5'-0"	p48	A36

Avenue Fabricating Inc.
1281 Clough Pike
Batavia, OH 45103
(513) 752-1911

DRAWN BY TMc	DATE 06/09/2010
CHKD. BY TAN	DATE 06/09/2010
JOB No. 10-10	DRG. No. 12L29
	REV. 2

RFI #	INFORMATION
DATE:	STATUS:
DESC.	



ONE - LINTEL - 12L3

HOLD

A	For Approval (SUBMITTED AS 12L19)	05/13/10	TMc	
0	For Fabrication F&F	6/09/10	TMc	TH
REV.	DESCRIPTION	DATE	DWN	CHK

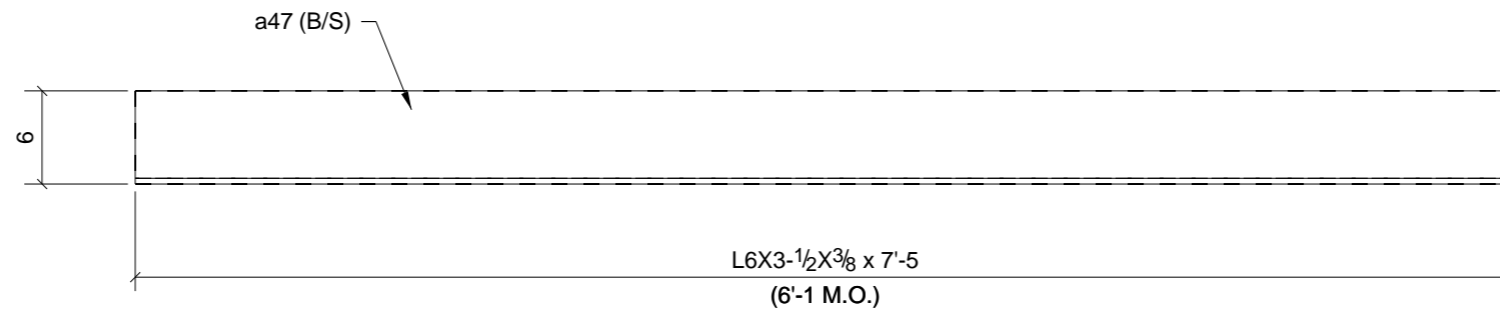
GENERAL NOTES			JOB USE	
MATERIAL: A992 / A36	ELECTRODES: E70XX LH	REF. DRG.		
HOLES: 13/16 DIA. U/N	CONN'S.: -	SHOP		
SURFACE PREP. SSPC-SP-2			APPROVAL	
AND PAINT: GREY PRIMER DEVOE NA-195 (U.N.)				
DESCRIPTION: LINTEL				
PROJECT NAME Ross Middle School Addition/Remodel				
LOCATION Ross Local School District - Hamilton, O				
CONTRACTOR Endeavor				

BILL OF MATERIAL

SHIP	MARK	NO PCS	DESCRIPTION	LENGTH	PIECE MARK	REMARKS
1	12L3	1	W8X18	5'-4"		SQ-2 A36 1 S/C STD PRIMER
		1	BAR3/8"X11"	5'-4"	p55	A36 1 S/C STD PRIMER
		3	STUD 1/2" DIA	0'-4"		

Avenue Fabricating Inc.
 1281 Clough Pike
 Batavia, OH 45103
 (513) 752-1911

DRAWN BY TMc	DATE 06/09/2010
CHKD. BY TAN/TH	DATE 06/09/2010
JOB No. 10-10	DRG. No. 12L3
	REV. 2

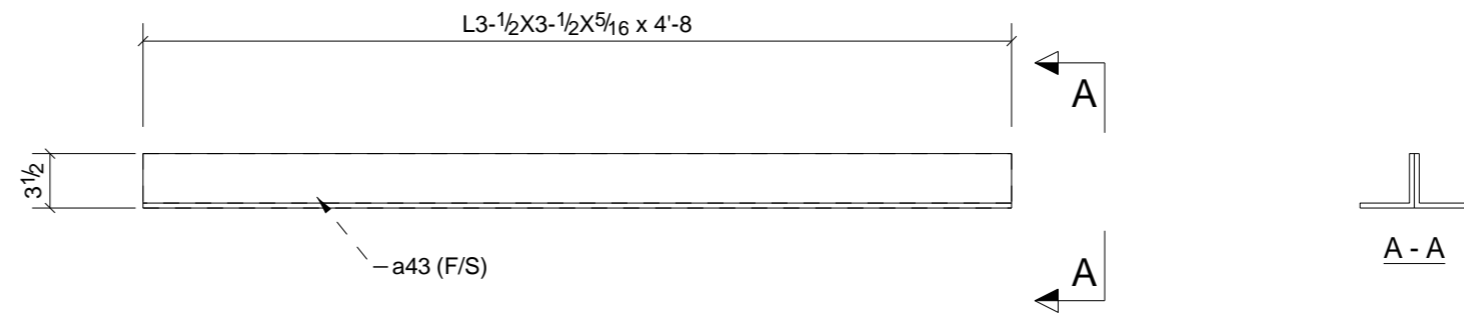


ONE - LINTEL - 12L4

BILL OF MATERIAL

SHIP	MARK	NO PCS	DESCRIPTION	LENGTH	PIECE MARK	REMARKS
1	12L4	1	L6X3-1/2X3/8	7'-5"		SQ-2 A36 1 S/C STD PRIMER
		2	L6X3-1/2X3/8	7'-5"	a47	A36 1 S/C STD PRIMER

A	For Approval	05/13/10	TMc	
0	For Fabrication F&F	6/09/10	TMc	TH
REV.	DESCRIPTION	DATE	DWN	CHK
GENERAL NOTES			JOB USE	
MATERIAL: A992 / A36	ELECTRODES: E70XX LH	REF. DRG.	SHOP	
HOLES: 13/16 DIA. U/N	CONN'S.: -		APPROVAL	
SURFACE PREP. SSPC-SP-2 AND PAINT: GREY PRIMER DEVOE NA-195 (U.N.)				
DESCRIPTION: LINTEL				
PROJECT NAME Ross Middle School Addition/Remodel LOCATION Ross Local School District - Hamilton, O				
CONTRACTOR Endeavor				
Avenue Fabricating Inc. 1281 Clough Pike Batavia, OH 45103 (513) 752-1911			DRAWN BY TMc	DATE 05/12/2010
			CHKD. BY TAN/TH	DATE 06/09/2010
			JOB No. 10-10	DRG. No. 12L4 REV. 2



17 - LINTELS - 12L5

(2 ANGLES EACH LINTEL)

A	For Approval	05/13/10	TMc	
0	For Fabrication F&F	6/09/10	TMc	TH
REV.	DESCRIPTION	DATE	DWN	CHK

GENERAL NOTES

MATERIAL: A992 / A36	ELECTRODES: E70XX LH	REF. DRG.	JOB USE
HOLES: 13/16 DIA. U/N	CONN'S.: -		SHOP
SURFACE PREP. SSPC-SP-2 AND PAINT: GREY PRIMER DEVOE NA-195 (U.N.)			APPROVAL

DESCRIPTION: LINTEL
 PROJECT NAME: Ross Middle School Addition/Remodel
 LOCATION: Ross Local School District - Hamilton, O
 CONTRACTOR: Endeavor

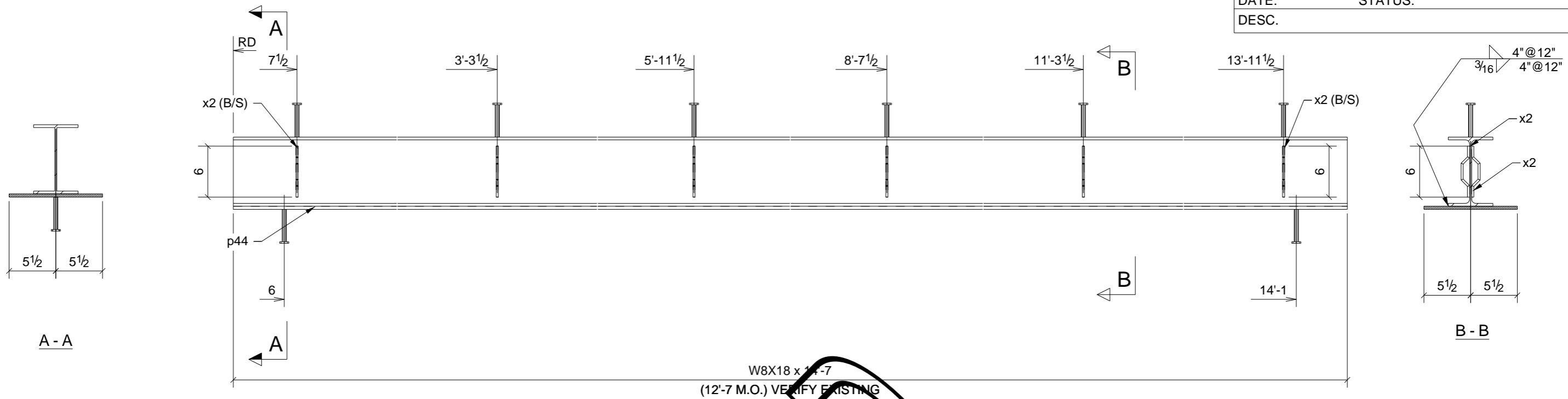
Avenue Fabricating Inc.
 1281 Clough Pike
 Batavia, OH 45103
 (513) 752-1911

DRAWN BY TMc	DATE 05/12/2010
CHKD. BY TAN/TH	DATE 06/09/2010
JOB No. 10-10	DRG. No. 12L5
	REV. 2

BILL OF MATERIAL

SHIP	MARK	NO PCS	DESCRIPTION	LENGTH	PIECE MARK	REMARKS
17	12L5	17	L3-1/2X3-1/2X5/16	4'-8"		SQ-2 A36 1 S/C STD PRIMER
		17	L3-1/2X3-1/2X5/16	4'-8"	a43	A36 1 S/C STD PRIMER

RFI #	INFORMATION
DATE:	STATUS:
DESC.	



HOLD

ONE - LINTEL - 12L6

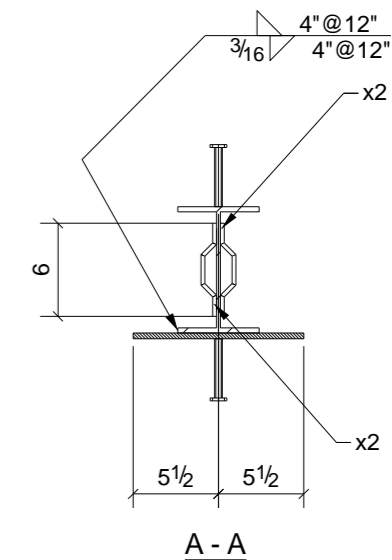
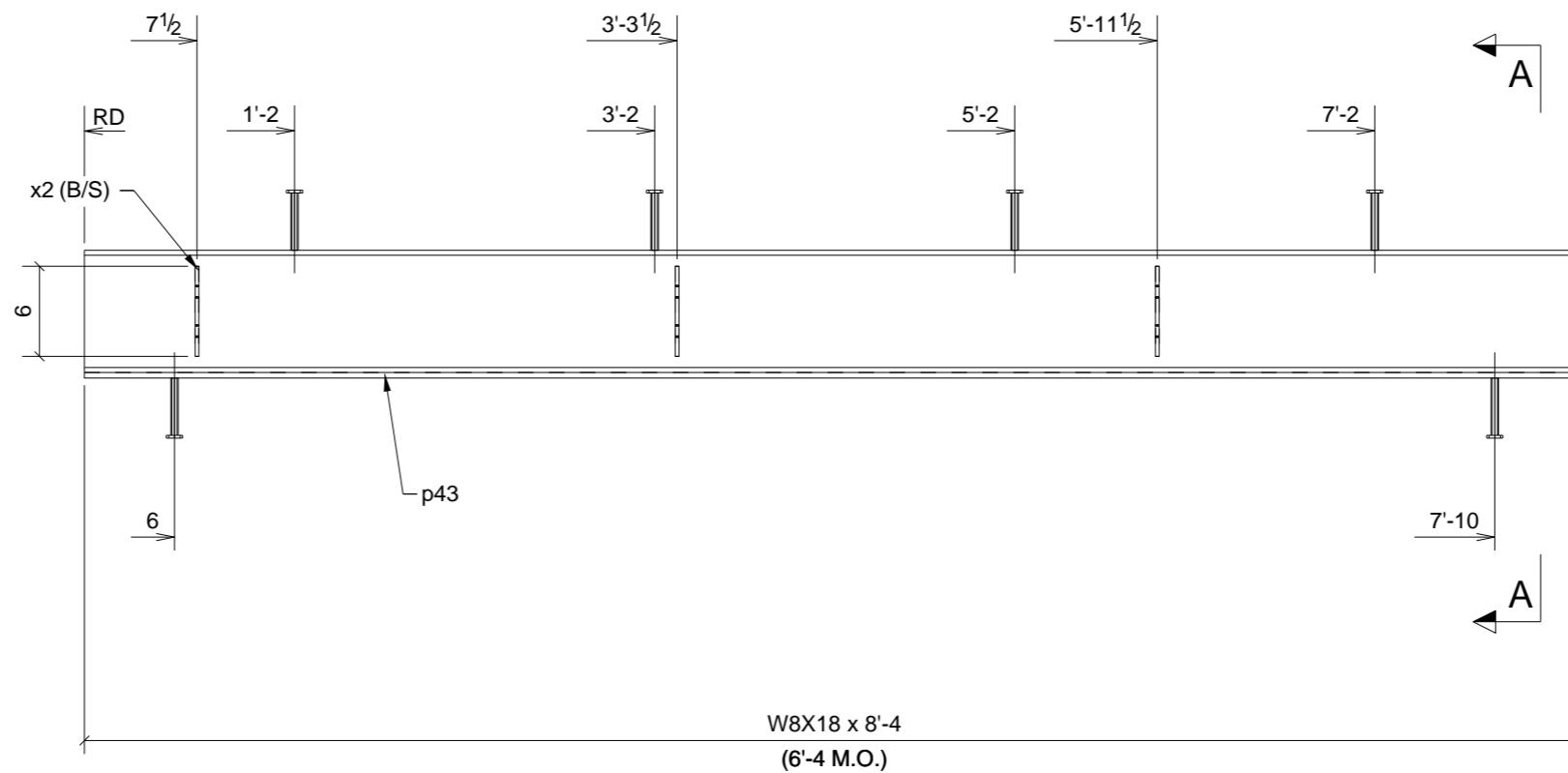
A	For Approval	05/13/10	TMc	
0	For Fabrication F&F	6/09/10	TMc	TH
REV.	DESCRIPTION	DATE	DWN	CHK

GENERAL NOTES			JOB USE	
MATERIAL: A992 / A36	ELECTRODES: E70XX LH	REF. DRG.	SHOP	
HOLES: 13/16 DIA. U/N	CONN'S.: -			
SURFACE PREP. SSPC-SP-2 AND PAINT: GREY PRIMER DEVOE NA-195 (U.N.)			APPROVAL	

DESCRIPTION:	LINTEL
PROJECT NAME	Ross Middle School Addition/Remodel
LOCATION	Ross Local School District - Hamilton, O
CONTRACTOR	Endeavor

BILL OF MATERIAL						
SHIP	MARK	NO PCS	DESCRIPTION	LENGTH	PIECE MARK	REMARKS
1	12L6	1	W8X18	14'-7"		SQ-2 A36 1 S/C STD PRIMER
		1	BAR3/8"X11"	14'-7"	p44	A36 1 S/C STD PRIMER
		12	H&B #359	0'-6 3/16"	x2	A36
		8	STUD 1/2" DIA	0'-4"		

Avenue Fabricating Inc. 1281 Clough Pike Batavia, OH 45103 (513) 752-1911			DRAWN BY TMc	DATE 05/12/2010
			CHKD. BY TAN/TH	DATE 06/09/2010
			JOB No. 10-10	DRG. No. 12L6 REV. 2



ONE - LINTEL - 12L7

A	For Approval	05/13/10	TMc	
0	For Fabrication F&F	6/09/10	TMc	TH
REV.	DESCRIPTION	DATE	DWN	CHK

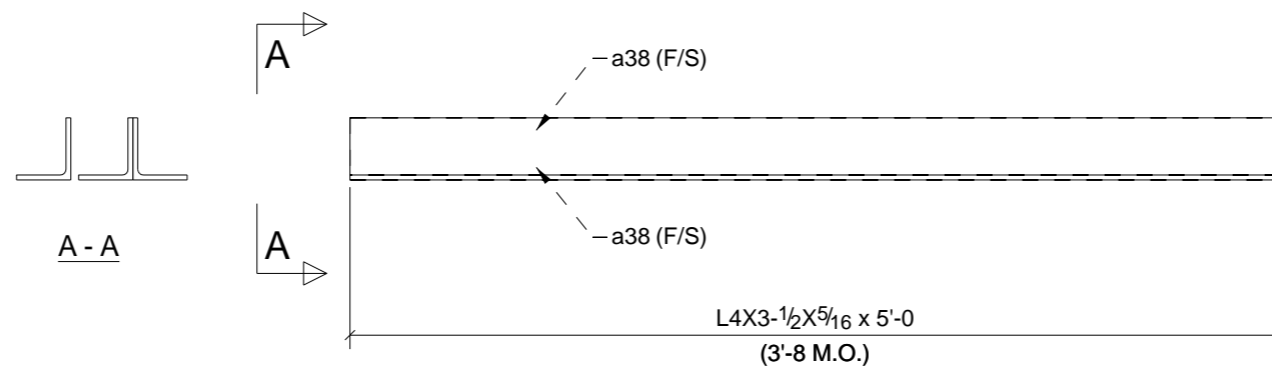
GENERAL NOTES			JOB USE
MATERIAL: A992 / A36	ELECTRODES: E70XX LH	REF. DRG.	SHOP
HOLES: 13/16 DIA. U/N	CONN'S.: -		APPROVAL
SURFACE PREP. SSPC-SP-2 AND PAINT: GREY PRIMER DEVOE NA-195 (U.N.)			

DESCRIPTION:	LINTEL
PROJECT NAME	Ross Middle School Addition/Remodel
LOCATION	Ross Local School District - Hamilton, O
CONTRACTOR	Endeavor

BILL OF MATERIAL

SHIP	MARK	NO PCS	DESCRIPTION	LENGTH	PIECE MARK	REMARKS
1	12L7	1	W8X18	8'-4"		SQ-2 A36 1 S/C STD PRIMER
		1	BAR3/8"X11"	8'-4"	p43	A36 1 S/C STD PRIMER
		6	H&B #359	0'-6 3/16"	x2	A36
		6	STUD 1/2" DIA	0'-4"		

Avenue Fabricating Inc. 1281 Clough Pike Batavia, OH 45103 (513) 752-1911		DRAWN BY	DATE
		TMc	05/12/2010
		CHKD. BY	DATE
		TAN/TH	06/09/2010
JOB No.	DRG. No.	REV.	
10-10	12L7	2	



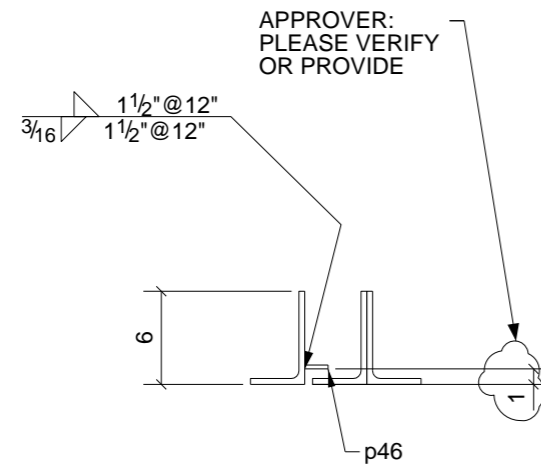
5 - LINTELS - 12L8

(3 ANGLES EACH LENGTH)

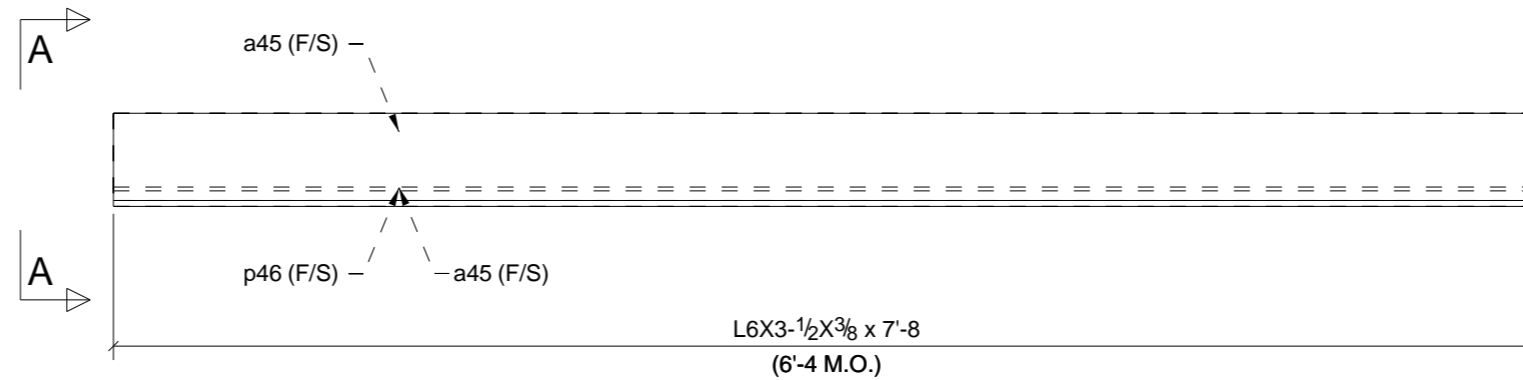
BILL OF MATERIAL

SHIP	MARK	NO PCS	DESCRIPTION	LENGTH	PIECE MARK	REMARKS
5	12L8	5	L4X3-1/2X5/16	5'-0"		SQ-2 A36 GALVANIZED
		10	L4X3-1/2X5/16	5'-0"	a38	A36 GALVANIZED

A	For Approval (SUBMITTED AS 12L10)	05/13/10	TMc	
0	For Fabrication F&F	6/09/10	TMc	TH
REV.	DESCRIPTION	DATE	DWN	CHK
GENERAL NOTES			JOB USE	
MATERIAL: A992 / A36	ELECTRODES: E70XX LH	REF. DRG.		
HOLES: 13/16 DIA. U/N	CONN'S.: -	SHOP		
SURFACE PREP. SSPC-SP-2			APPROVAL	
AND PAINT: GREY PRIMER DEVOE NA-195 (U.N.)				
DESCRIPTION: LINTEL				
PROJECT NAME Ross Middle School Addition/Remodel				
LOCATION Ross Local School District - Hamilton, O				
CONTRACTOR Endeavor				
Avenue Fabricating Inc.			DRAWN BY	DATE
1281 Clough Pike			TMc	05/12/2010
Batavia, OH 45103			CHKD. BY	DATE
(513) 752-1911			TAN/TH	06/09/2010
JOB No.		DRG. No.	REV.	
10-10		12L8	2	



APPROVER:
PLEASE VERIFY
OR PROVIDE



A - A

ONE - LINTEL - 12L9

A	For Approval	05/13/10	TMc	
0	For Fabrication F&F	6/09/10	TMc	TH
REV.	DESCRIPTION	DATE	DWN	CHK

GENERAL NOTES

MATERIAL: A992 / A36	ELECTRODES: E70XX LH	REF. DRG.	JOB USE
HOLES: 13/16 DIA. U/N	CONN'S.: -		SHOP
SURFACE PREP. SSPC-SP-2 AND PAINT: GREY PRIMER DEVOE NA-195 (U.N.)			APPROVAL
DESCRIPTION: LINTEL			
PROJECT NAME Ross Middle School Addition/Remodel LOCATION Ross Local School District - Hamilton, O			
CONTRACTOR Endeavor			

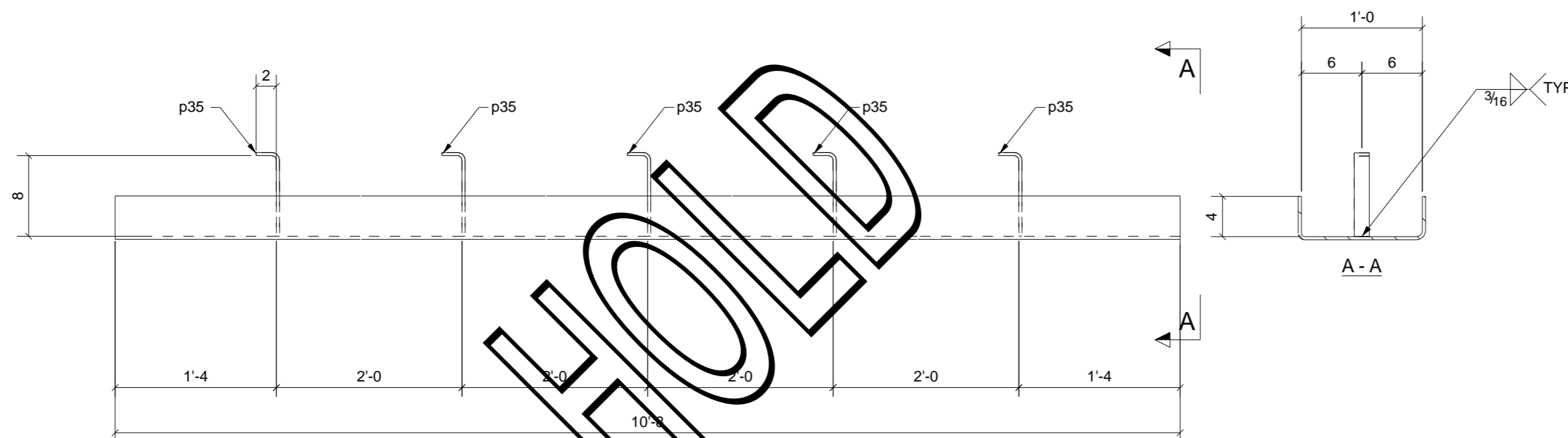
BILL OF MATERIAL

SHIP	MARK	NO PCS	DESCRIPTION	LENGTH	PIECE MARK	REMARKS
1	12L9	1	L6X3-1/2X3/8	7'-8"		SQ-2 A36 GALVANIZED
		2	L6X3-1/2X3/8	7'-8"	a45	A36 GALVANIZED
		1	BAR1/4"X1 1/2"	7'-8"	p46	A36

Avenue Fabricating Inc.
1281 Clough Pike
Batavia, OH 45103
(513) 752-1911

DRAWN BY TMc	DATE 05/12/2010
CHKD. BY TAN/TH	DATE 06/09/2010
JOB No. 10-10	DRG. No. 12L9
	REV. 2

RFI #	INFORMATION
DATE:	STATUS:
DESC.	



HOLD

2 - BENT PLATES - 11MP1

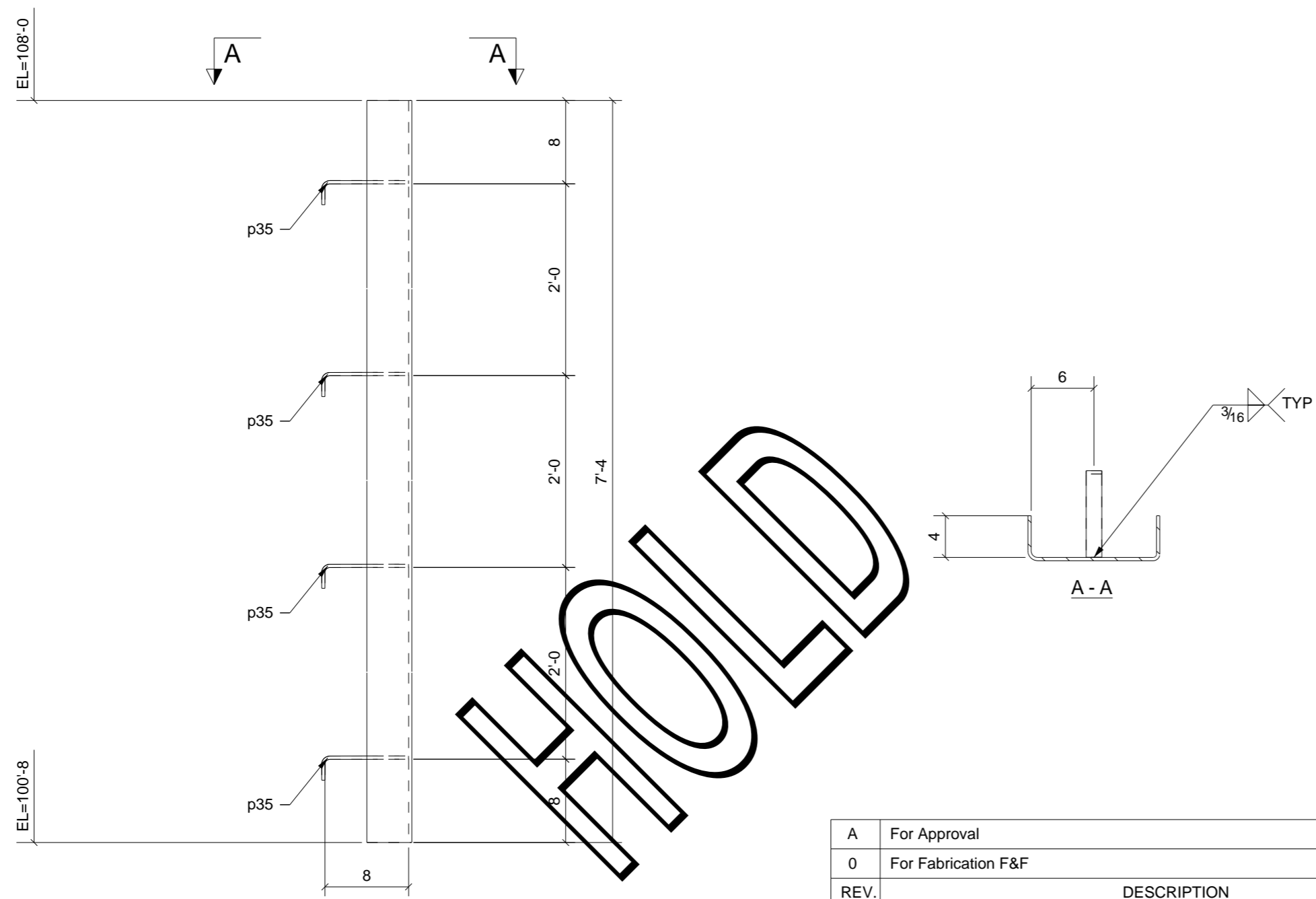
PHASE				
1	2	3	4	5
2	0	0	0	0

A	For Approval	05/13/10	TMc	
0	For Fabrication F&F	6/24/10	TMc	TH
REV.	DESCRIPTION	DATE	DWN	CHK
GENERAL NOTES				
MATERIAL: A992 / A36		ELECTRODES: E70XX LH	REF. DRG.	
HOLES: 13/16 DIA. U/N		CONN'S.: -	JOB USE	
SURFACE PREP: SSPC-SP-2		AND PAINT: GREY PRIMER DEVOE NA-195 (U.N.)		
DESCRIPTION: DOOR JAMB		SHOP		
PROJECT NAME: Ross Middle School Addition/Remodel		APPROVAL		
LOCATION: Ross Local School District - Hamilton, O				
CONTRACTOR: Endeavor				
Avenue Fabricating Inc. 1281 Clough Pike Batavia, OH 45103 (513) 752-1911		DRAWN BY	DATE	
		TMc	05/12/2010	
		CHKD. BY	DATE	
TAN	06/24/2010			
JOB No.	DRG. No.	REV.		
10-11	11MP1	2		

BILL OF MATERIAL

SHIP	MARK	NO PCS	DESCRIPTION	LENGTH	PIECE MARK	REMARKS
2	11MP1	2	PL5/16"X20 9/16"	10'-8"		SQ-2 A36 GALVANIZED
		10	BAR5/16"X1 1/2"	0'-10 5/16"	p35	A36

RFI #	INFORMATION
DATE:	STATUS:
DESC.	



2 - BENT PLATES - 11MP3

PHASE				
1	2	3	4	5
2	0	0	0	0

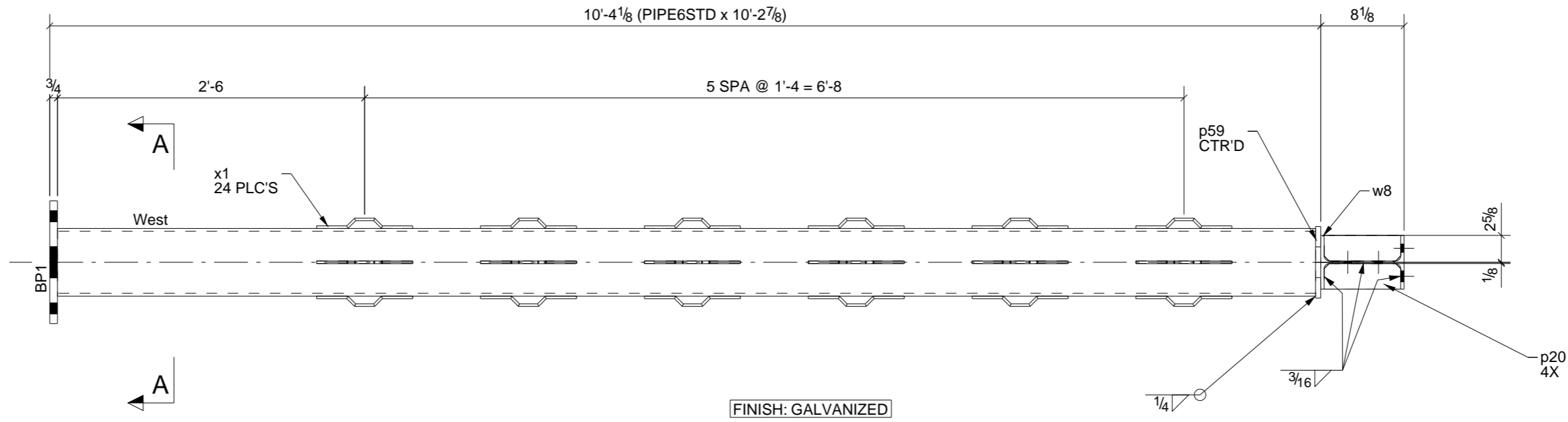
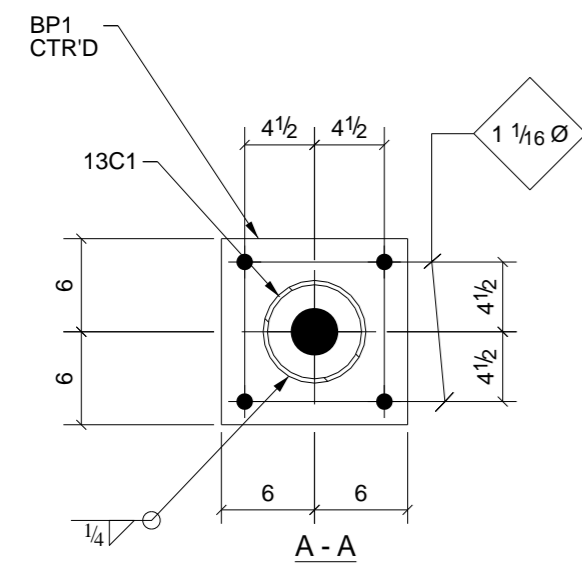
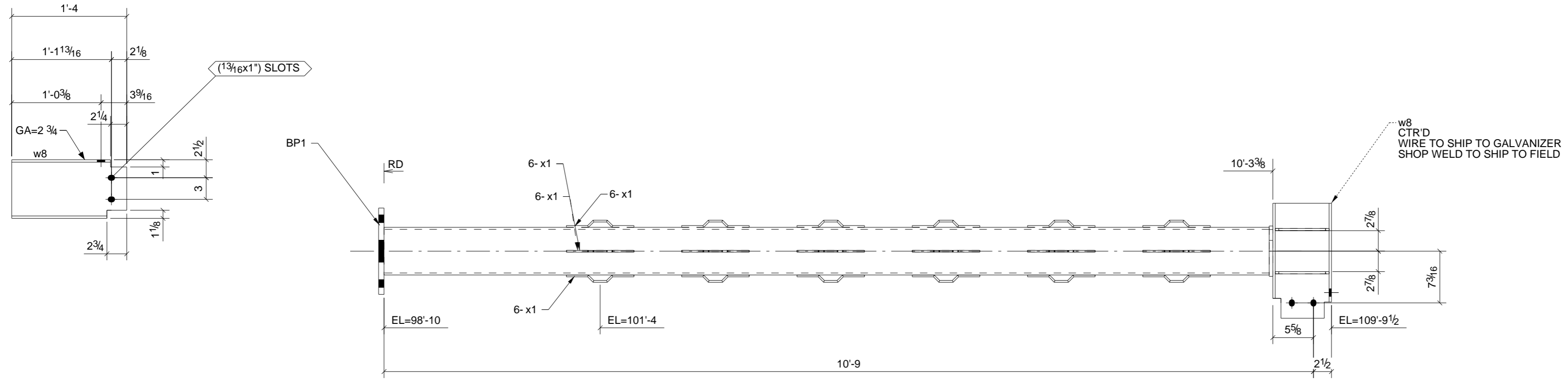
A	For Approval	05/13/10	TMc	
0	For Fabrication F&F	6/24/10	TMc	TH
REV.	DESCRIPTION	DATE	DWN	CHK
GENERAL NOTES				
MATERIAL: A992 / A36		ELECTRODES: E70XX LH	REF. DRG.	
HOLES: 13/16 DIA. U/N		CONN'S.: -	JOB USE	
SURFACE PREP: SSPC-SP-2		AND PAINT: GREY PRIMER DEVOE NA-195 (U.N.)		
DESCRIPTION: DOOR JAMB		SHOP		
PROJECT NAME: Ross Middle School Addition/Remodel		APPROVAL		
LOCATION: Ross Local School District - Hamilton, O				
CONTRACTOR: Endeavor				
Avenue Fabricating Inc. 1281 Clough Pike Batavia, OH 45103 (513) 752-1911		DRAWN BY: TMc	DATE: 06/27/2010	
		CHKD. BY: TAN	DATE: 06/24/2010	
		JOB No: 10-11	DRG. No: 11MP3	REV: 2

BILL OF MATERIAL

SHIP	MARK	NO PCS	DESCRIPTION	LENGTH	PIECE MARK	REMARKS
2	11MP3	2	PL5/16"X20 9/16"	7'-4"		SQ-2 A36 GALVANIZED
		8	BAR5/16"X1 1/2"	0'-10 5/16"	p35	A36

GRID LOCATION	BOTTOM ELEVATION
<CB/B	98'-9"1/4

(A-4)



PHASE				
1	2	3	4	5
1	0	0	0	0

ONE - COLUMN - 13C1

(A-4)

BILL OF MATERIAL

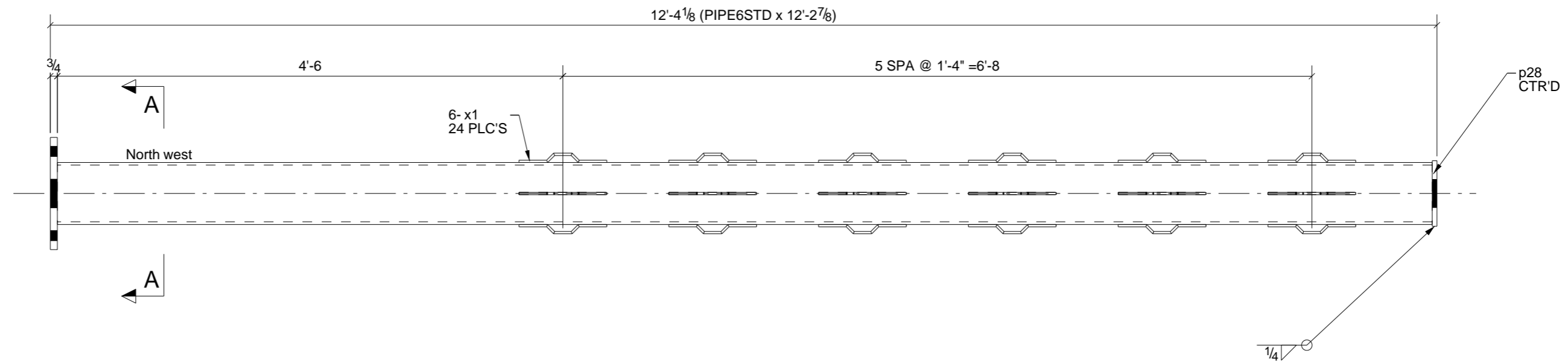
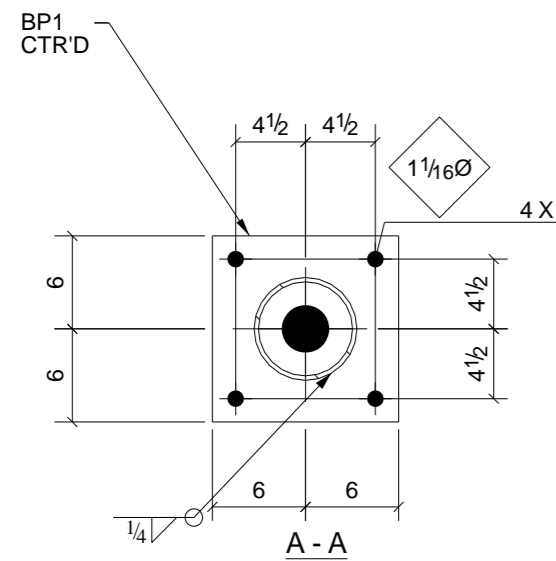
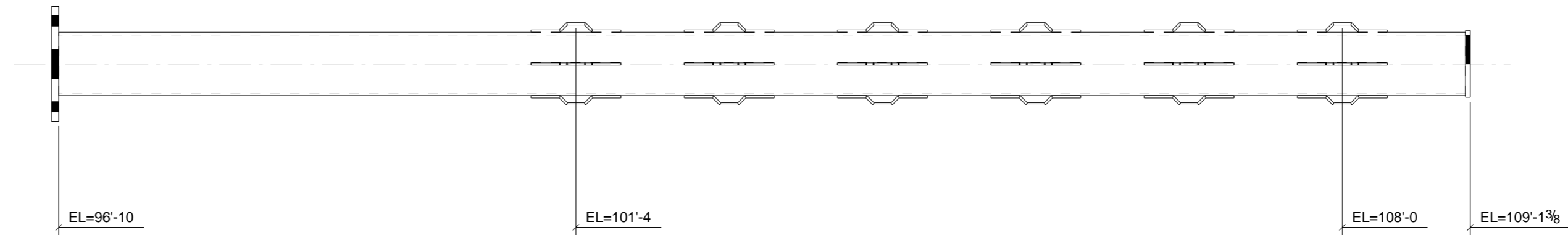
SHIP	MARK	NO PCS	DESCRIPTION	LENGTH	PIECE MARK	REMARKS
1	13C1	1	PIPE6STD	10'-2 7/8"		SQ-2 A53 GALVANIZED
		1	BAR3/4"X12"	1'-0"	BP1	A36 GALVANIZED
		4	BAR5/16"X2 1/2"	0'-7 1/2"	p20	A36
		1	BAR1/2"X7"	0'-7"	p59	A36
		1	W8X18	1'-4"	w8	A992
		24	H&B #359	0'-9 9/16"	x1	A36

A	For Approval	05/13/10	TMc	
0	For Fabrication F&F	6/24/10	TMc	TH
REV.	DESCRIPTION	DATE	DWN	CHK

GENERAL NOTES

MATERIAL: A992 / A36	ELECTRODES: E70XX LH	REF. DRG.	JOB USE	
HOLES: 13/16 DIA. U/N	CONN'S.: -		SHOP	
SURFACE PREP. SSPC-SP-2 AND PAINT: GREY PRIMER DEVOE NA-195 (U.N.)			APPROVAL	
DESCRIPTION: COLUMN				
PROJECT NAME: Ross Middle School Addition/Remodel				
LOCATION: Ross Local School District - Hamilton, O				
CONTRACTOR: Endeavor				
Avenue Fabricating Inc. 1281 Clough Pike Batavia, OH 45103 (513) 752-1911			DRAWN BY TMc	DATE 05/13/2010
			CHKD. BY TAN	DATE 06/24/2010
			JOB No. 10-11	DRG. No. 13C1
				REV. 2

GRID LOCATION	BOTTOM ELEVATION
cA/c6	96'-9"1/4



PHASE				
1	2	3	4	5
1	0	0	0	0

ONE - COLUMN - 13C10

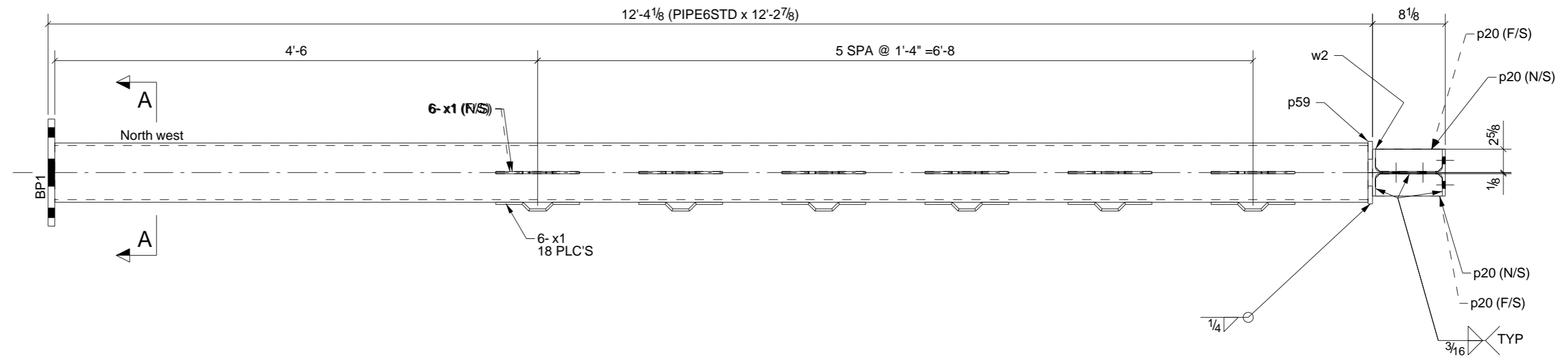
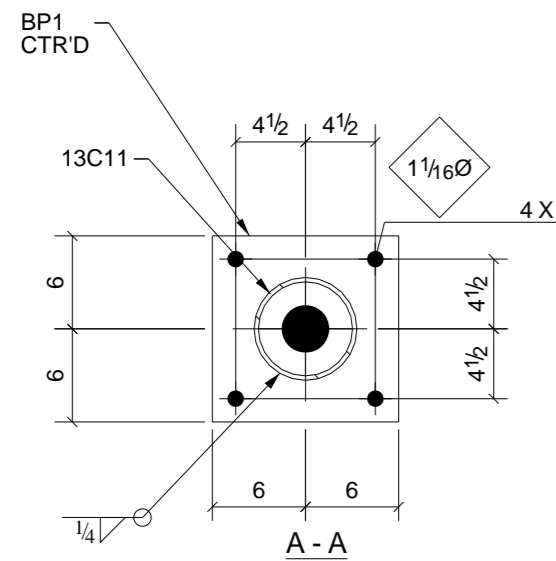
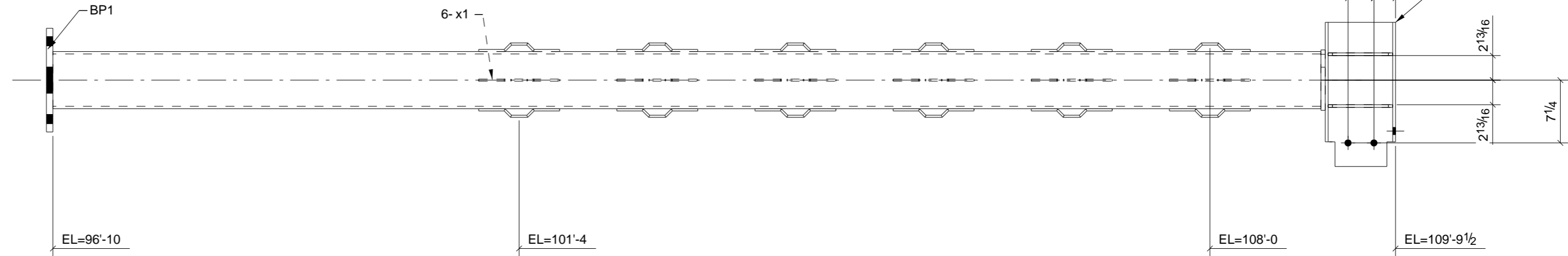
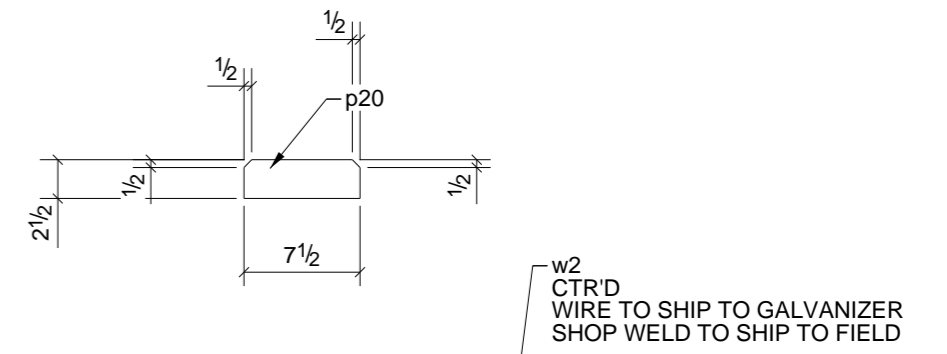
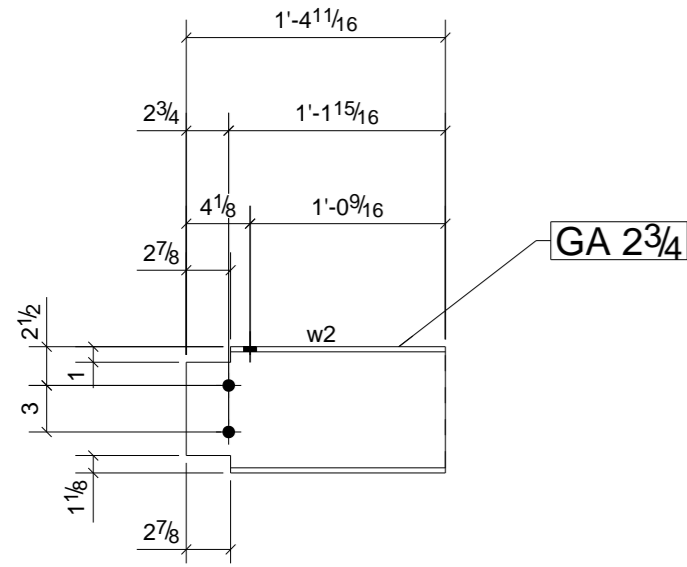
FINISH: GALVANIZED

BILL OF MATERIAL

SHIP	MARK	NO PCS	DESCRIPTION	LENGTH	PIECE MARK	REMARKS
1	13C10	1	PIPE6STD	12'-2 7/8"		SQ-2 A53 GALVANIZED
		1	BAR3/4"X12"	1'-0"	BP1	A36 GALVANIZED
		1	BAR1/2"X7"	0'-7"	p28	A36
		24	H&B #359	0'-9 9/16"	x1	A36

A	For Approval	05/13/10	TMc		
0	For Fabrication F&F	6/24/10	TMc	TH	
REV.	DESCRIPTION	DATE	DWN	CHK	
GENERAL NOTES			JOB USE		
MATERIAL: A992 / A36		ELECTRODES: E70XX LH	REF. DRG.		
HOLES: 13/16 DIA. U/N		CONN'S.: -	SHOP		
SURFACE PREP. SSPC-SP-2 AND PAINT: GREY PRIMER DEVOE NA-195 (U.N.)			APPROVAL		
DESCRIPTION: COLUMN					
PROJECT NAME: Ross Middle School Addition/Remodel					
LOCATION: Ross Local School District - Hamilton, O					
CONTRACTOR: Endeavor					
Avenue Fabricating Inc. 1281 Clough Pike Batavia, OH 45103 (513) 752-1911		DRAWN BY: TMc		DATE: 05/13/2010	
		CHKD. BY: TAN		DATE: 06/24/2010	
		JOB No. 10-11		DRG. No. 13C10	REV. 2

GRID LOCATION	BOTTOM ELEVATION
cB/c7	96'-9"1/4



PHASE				
1	2	3	4	5
1	0	0	0	0

ONE - COLUMN - 13C11

FINISH: GALVANIZED

BILL OF MATERIAL

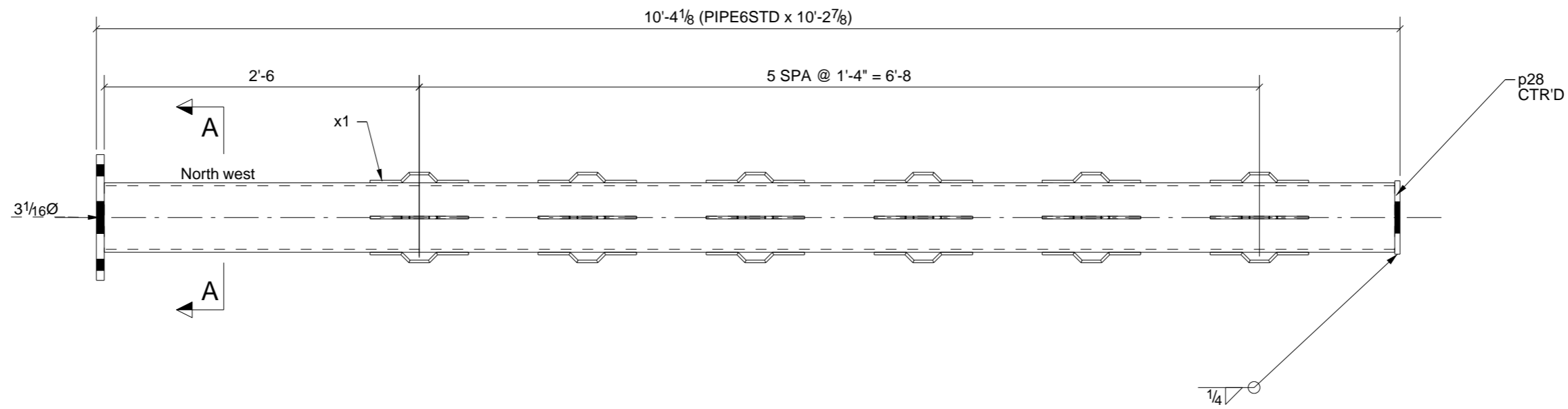
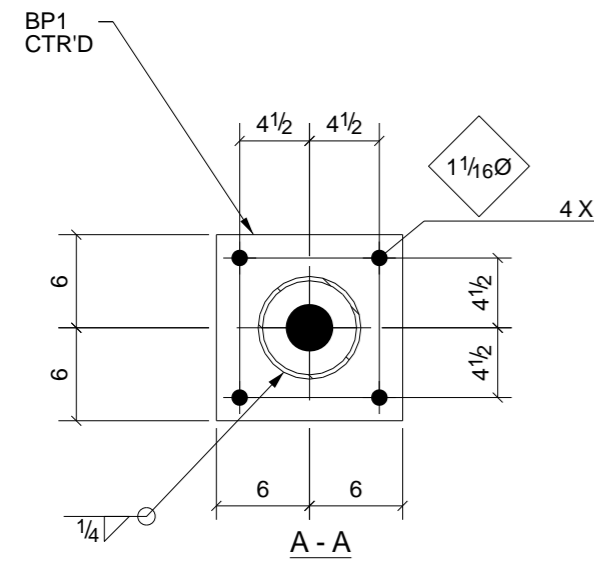
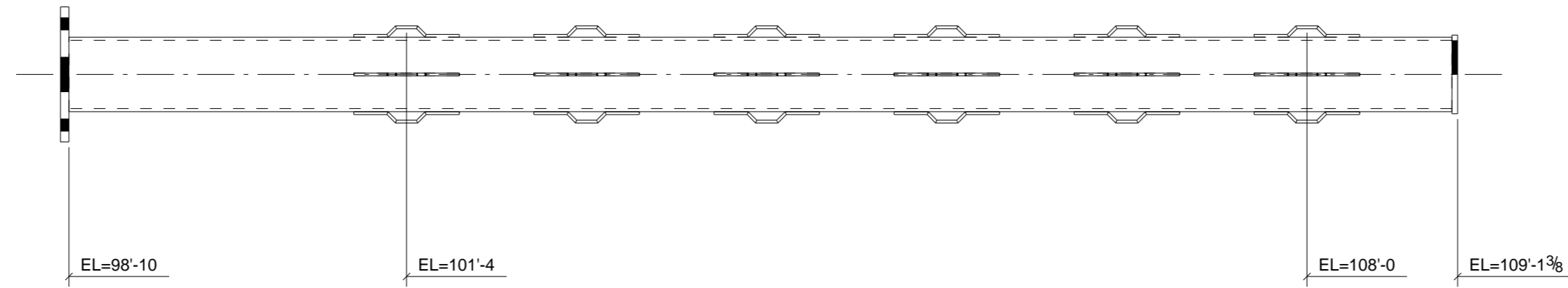
SHIP	MARK	NO PCS	DESCRIPTION	LENGTH	PIECE MARK	REMARKS
1	13C11	1	PIPE6STD	12'-2 7/8"		SQ-2 A53 GALVANIZED
		1	BAR3/4"X12"	1'-0"	BP1	A36 GALVANIZED
		4	BAR5/16"X2 1/2"	0'-7 1/2"	p20	A36
		1	BAR1/2"X7"	0'-7"	p59	A36
		1	W8X18	1'-4 11/16"	w2	A992
		18	H&B #359	0'-9 9/16"	x1	A36

A	For Approval	05/13/10	TMc	
0	For Fabrication F&F	6/24/10	TMc	TH
REV.	DESCRIPTION	DATE	DWN	CHK

GENERAL NOTES

MATERIAL: A992 / A36	ELECTRODES: E70XX LH	REF. DRG.	JOB USE
HOLES: 13/16 DIA. U/N	CONN'S.: -		SHOP
SURFACE PREP. SSPC-SP-2	AND PAINT: GREY PRIMER DEVOE NA-195 (U.N.)		APPROVAL
DESCRIPTION: COLUMN			
PROJECT NAME: Ross Middle School Addition/Remodel			
LOCATION: Ross Local School District - Hamilton, O			
CONTRACTOR: Endeavor			
Avenue Fabricating Inc. 1281 Clough Pike Batavia, OH 45103 (513) 752-1911			DRAWN BY
			TMc
			DATE
			05/13/2010
CHKD. BY	TAN	DATE	06/24/2010
JOB No.	10-11	DRG. No.	13C11
		REV.	2

GRID LOCATION	BOTTOM ELEVATION
cA>/B	98'-9"1/4



PHASE				
1	2	3	4	5
1	0	0	0	0

ONE - COLUMN - 13C12

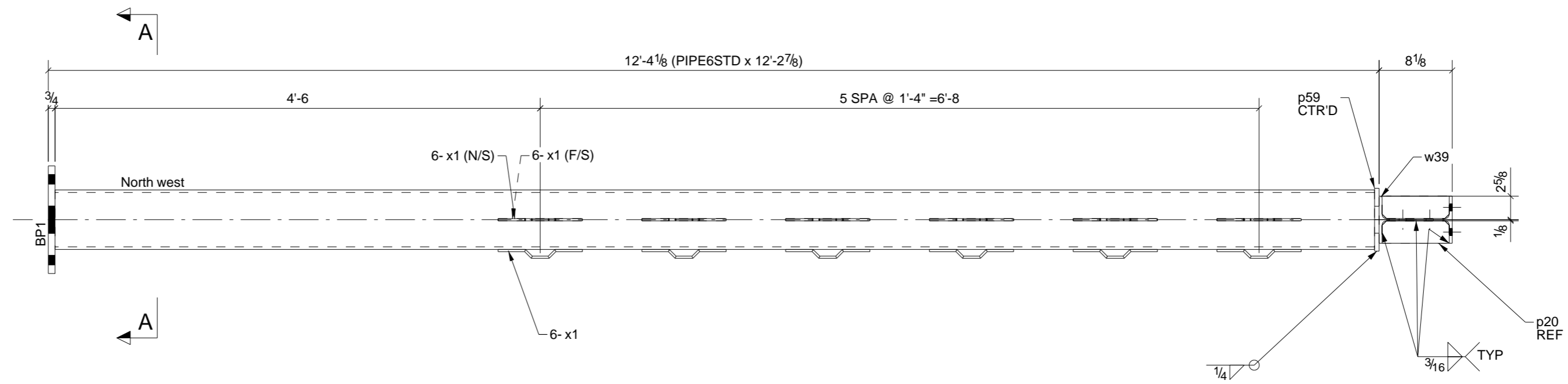
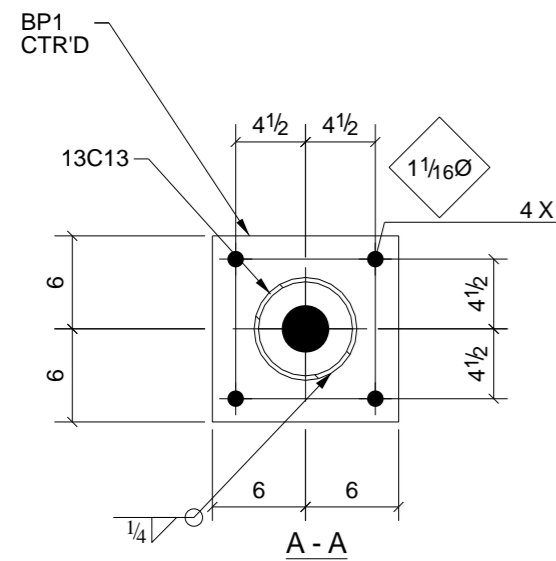
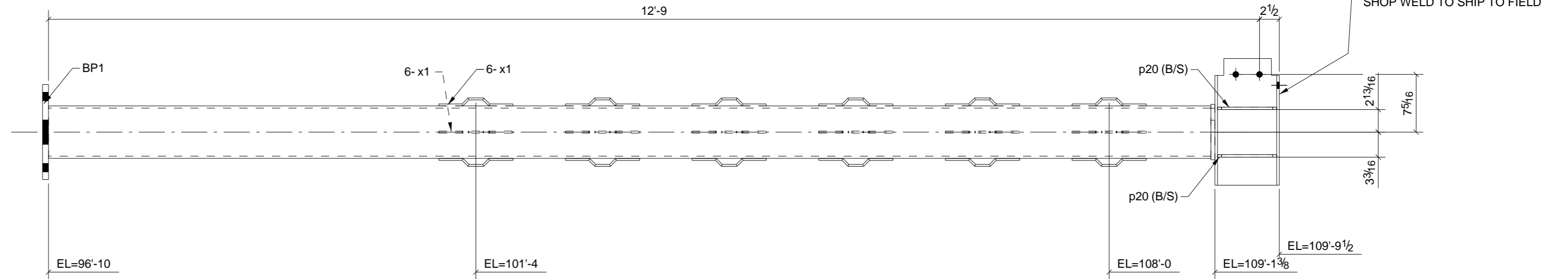
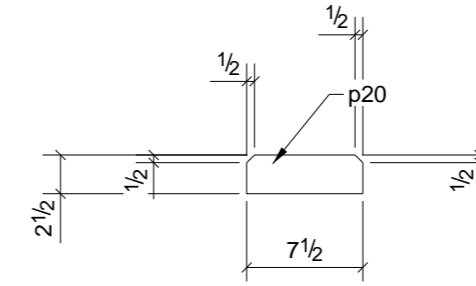
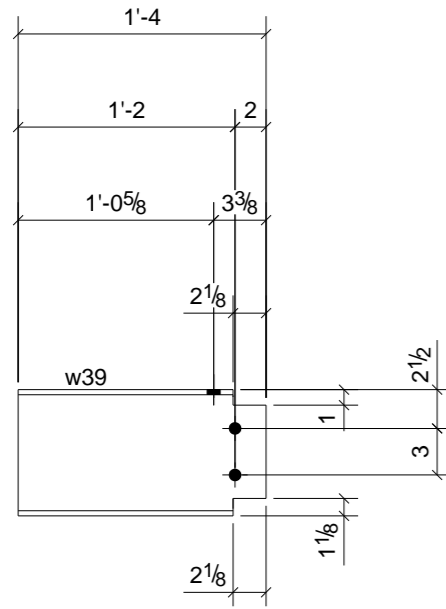
FINISH: GALVANIZED

BILL OF MATERIAL

SHIP	MARK	NO PCS	DESCRIPTION	LENGTH	PIECE MARK	REMARKS
1	13C12	1	PIPE6STD	10'-2 7/8"		SQ-2 A53 GALVANIZED
		1	BAR3/4"X12"	1'-0"	BP1	A36 GALVANIZED
		1	BAR1/2"X7"	0'-7"	p28	A36
		24	H&B #359	0'-9 9/16"	x1	A36

A	For Approval	05/13/10	TMc	
0	For Fabrication F&F	6/24/10	TMc	TH
REV.	DESCRIPTION	DATE	DWN	CHK
GENERAL NOTES				JOB USE
MATERIAL: A992 / A36		ELECTRODES: E70XX LH	REF. DRG.	
HOLES: 13/16 DIA. U/N		CONN'S.: -	SHOP	
SURFACE PREP. SSPC-SP-2			APPROVAL	
AND PAINT: GREY PRIMER DEVOE NA-195 (U.N.)				
DESCRIPTION: COLUMN				
PROJECT NAME		Ross Middle School Addition/Remodel		
LOCATION		Ross Local School District - Hamilton, O		
CONTRACTOR		Endeavor		
Avenue Fabricating Inc. 1281 Clough Pike Batavia, OH 45103 (513) 752-1911		DRAWN BY		DATE
		TMc		05/13/2010
		CHKD. BY		DATE
		TAN		06/24/2010
JOB No.		DRG. No.	REV.	
10-11		13C12	2	

GRID LOCATION	BOTTOM ELEVATION
cA/c7	96'-9"1/4



PHASE				
1	2	3	4	5
1	0	0	0	0

ONE - COLUMN - 13C13

FINISH: GALVANIZED

BILL OF MATERIAL

SHIP	MARK	NO PCS	DESCRIPTION	LENGTH	PIECE MARK	REMARKS
1	13C13	1	PIPE6STD	12'-2 7/8"		SQ-2 A53 GALVANIZED
		1	BAR3/4"X12"	1'-0"	BP1	A36 GALVANIZED
		4	BAR5/16"X2 1/2"	0'-7 1/2"	p20	A36
		1	BAR1/2"X7"	0'-7"	p59	A36
		1	W8X18	1'-4"	w39	A992
		18	H&B #359	0'-9 9/16"	x1	A36

A	For Approval	05/13/10	TMc	
0	For Fabrication F&F	6/24/10	TMc	TH
REV.	DESCRIPTION	DATE	DWN	CHK

GENERAL NOTES

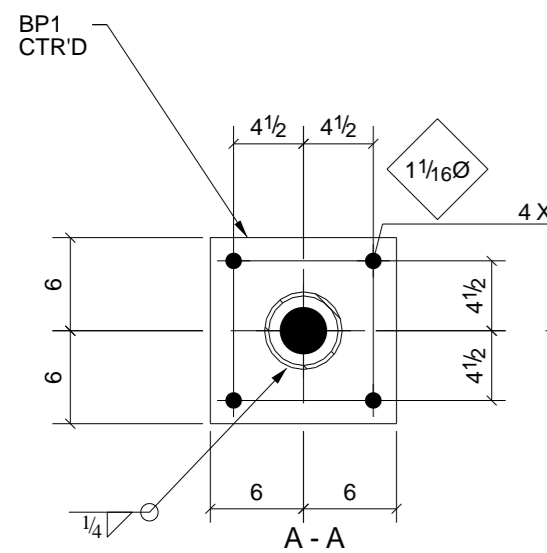
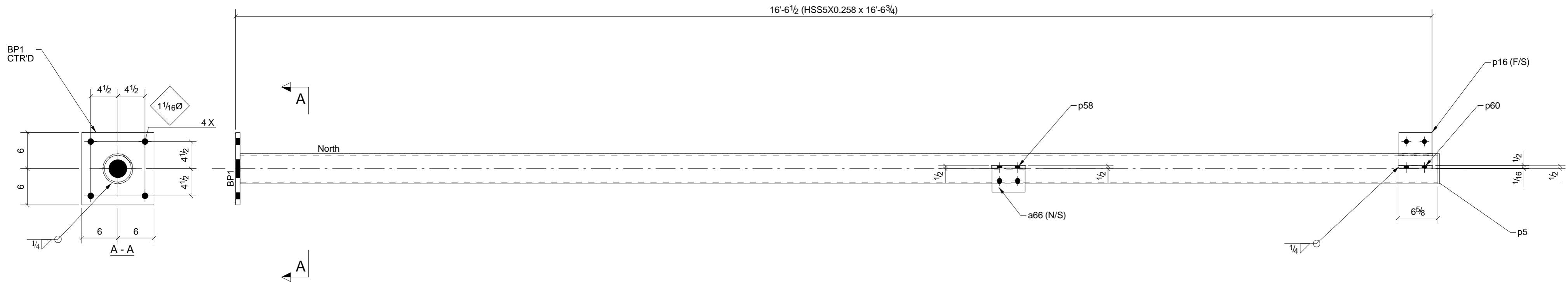
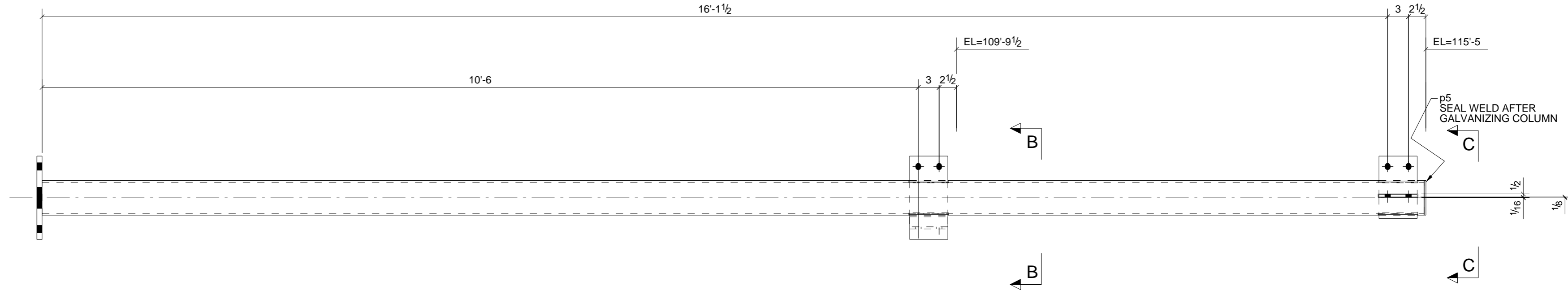
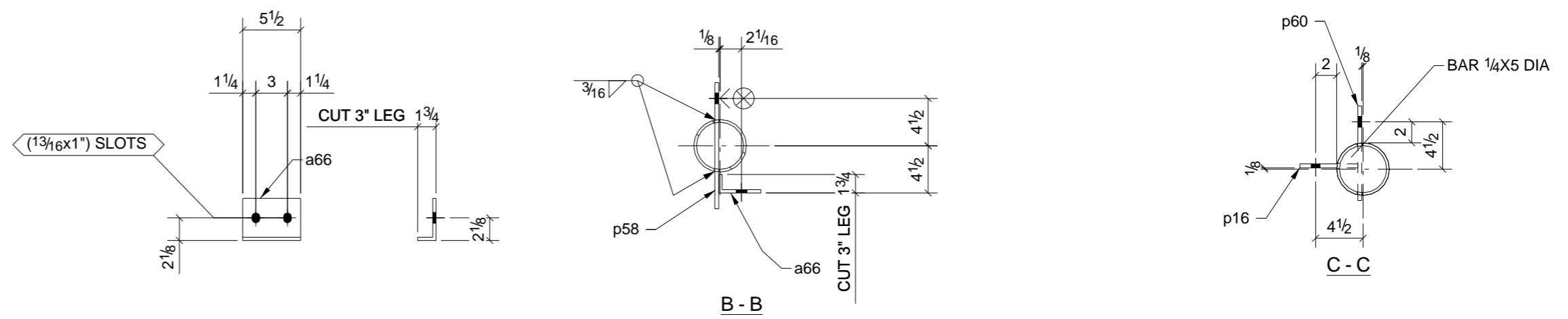
MATERIAL: A992 / A36	ELECTRODES: E70XX LH	REF. DRG.	JOB USE
HOLES: 13/16 DIA. U/N	CONN'S.: -		SHOP
SURFACE PREP. SSPC-SP-2 AND PAINT: GREY PRIMER DEVOE NA-195 (U.N.)			APPROVAL
DESCRIPTION: COLUMN			
PROJECT NAME: Ross Middle School Addition/Remodel			
LOCATION: Ross Local School District - Hamilton, O			
CONTRACTOR: Endeavor			

Avenue Fabricating Inc.
1281 Clough Pike
Batavia, OH 45103
(513) 752-1911

DRAWN BY TMc	DATE 05/13/2010
CHKD. BY TAN	DATE 06/24/2010
JOB No. 10-11	DRG. No. 13C13
	REV. 2

GRID LOCATION	BOTTOM ELEVATION
<cB/B>	98'-9"1/4

(B-3)



PHASE				
1	2	3	4	5
1	0	0	0	0

ONE - COLUMN - 13C2

(B-3)

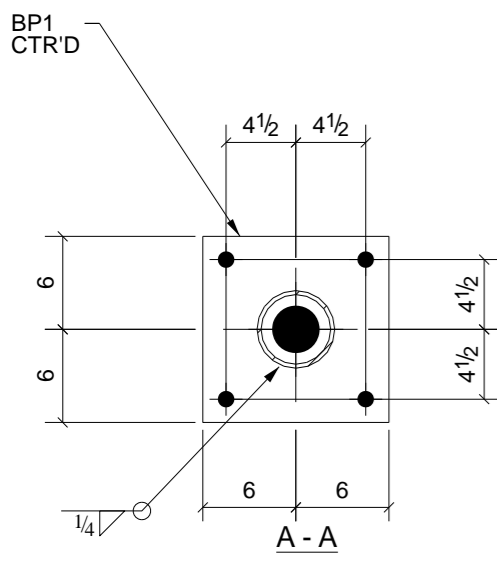
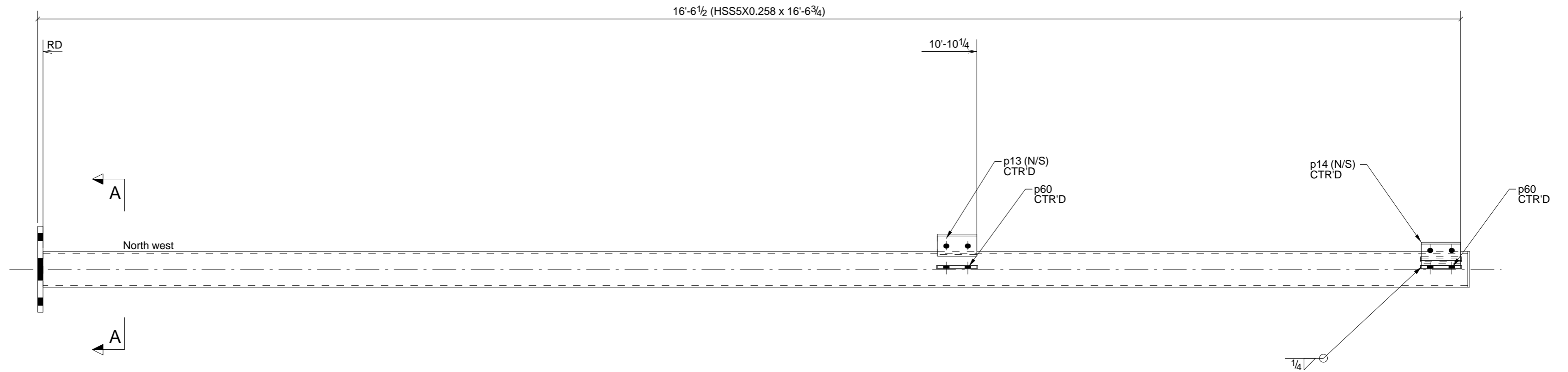
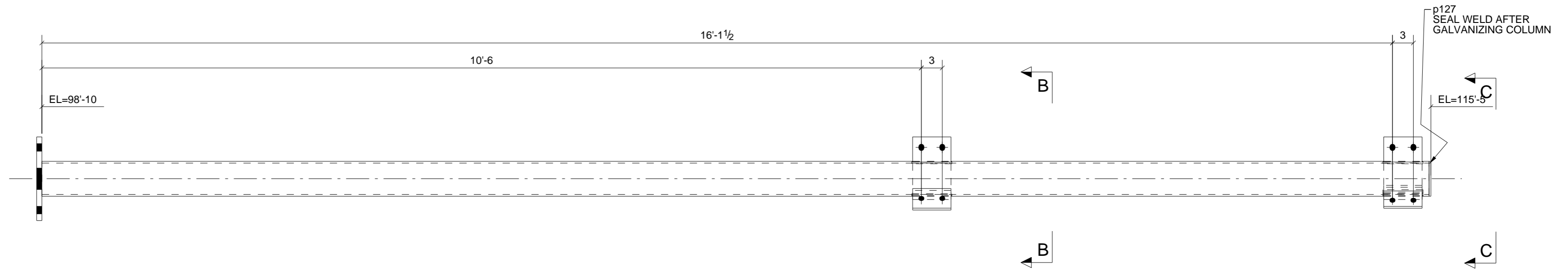
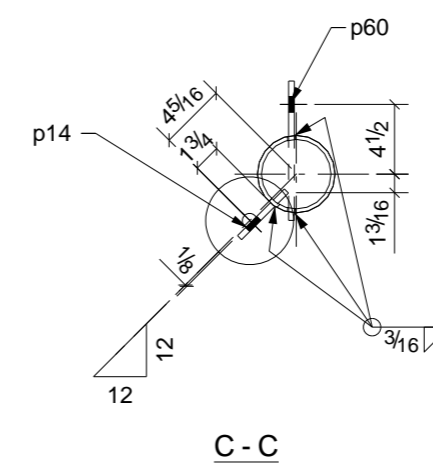
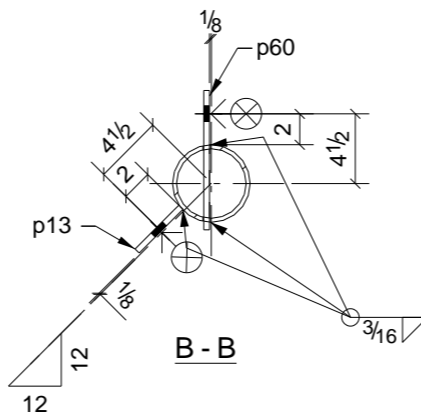
FINISH: GALVANIZED

BILL OF MATERIAL

SHIP	MARK	NO PCS	DESCRIPTION	LENGTH	PIECE MARK	REMARKS
1	13C2	1	HSS5X0.258	16'-6 3/4"		SQ-2 A500-GR.B GALVANIZED
		1	BAR3/4"X12"	1'-0"	BP1	A36 GALVANIZED
		1	L4X3X5/16	0'-5 1/2"	a66	A36
		1	BAR 1/4X5 DIA		p5	A36
		1	BAR3/8"X5 1/2"	0'-5 1/2"	p16	A36
		1	BAR3/8"X5 1/2"	1'-0"	p58	A36
		1	BAR3/8"X5 1/2"	0'-9"	p60	A36

A	For Approval	05/13/10	TMc	
0	For Fabrication F&F	6/24/10	TMc	TH
REV.	DESCRIPTION	DATE	DWN	CHK
GENERAL NOTES				
MATERIAL: A992 / A36		ELECTRODES: E70XX LH		REF. DRG.
HOLES: 13/16 DIA. U/N		CONN'S.: -		
SURFACE PREP. SSPC-SP-2			JOB USE	
AND PAINT: GREY PRIMER DEVOE NA-195 (U.N.)			SHOP	
DESCRIPTION: COLUMN			APPROVAL	
PROJECT NAME		Ross Middle School Addition/Remodel		
LOCATION		Ross Local School District - Hamilton, O		
CONTRACTOR		Endeavor		
Avenue Fabricating Inc. 1281 Clough Pike Batavia, OH 45103 (513) 752-1911		DRAWN BY		DATE
		TMc		05/13/2010
		CHKD. BY		DATE
		TAN		06/24/2010
JOB No.		DRG. No.	REV.	
10-11		13C2	2	

GRID LOCATION	BOTTOM ELEVATION
cB/c1	98'-9"1/4



PHASE				
1	2	3	4	5
1	0	0	0	0

ONE - COLUMN - 13C3

FINISH: GALVANIZED

BILL OF MATERIAL

SHIP	MARK	NO PCS	DESCRIPTION	LENGTH	PIECE MARK	REMARKS
1	13C3	1	HSS5X0.258	16'-6 3/4"		SQ-2 A500-GR.B GALVANIZED
		1	BAR3/4"X12"	1'-0"	BP1	A36 GALVANIZED
		1	PL3/8"X4"	0'-5 1/2"	p13	A36
		1	PL3/8"X4 1/4"	0'-5 1/2"	p14	A36
		2	BAR3/8"X5 1/2"	0'-9"	p60	A36
		1	BAR 1/4X5 DIA	0'-0 1/4"	p127	A36

A	For Approval	05/13/10	TMc	
0	For Fabrication F&F	6/24/10	TMc	TH
REV.	DESCRIPTION	DATE	DWN	CHK

GENERAL NOTES

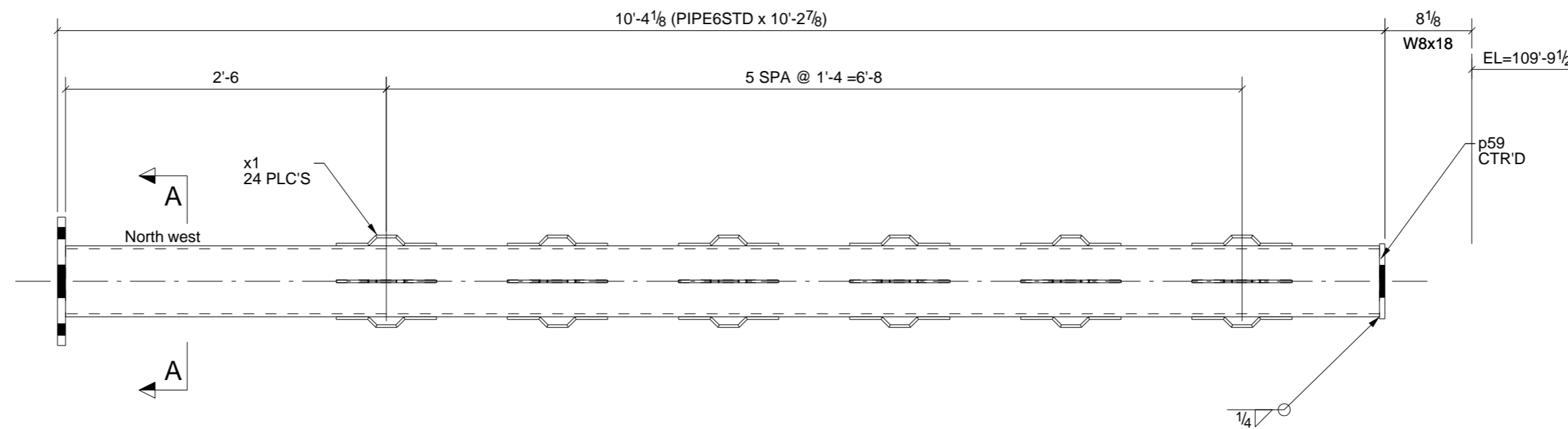
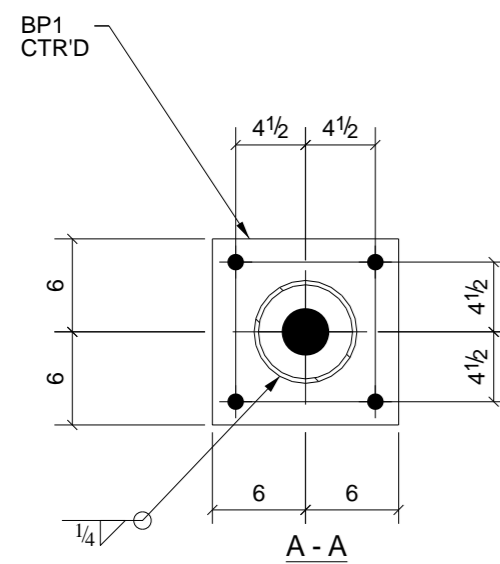
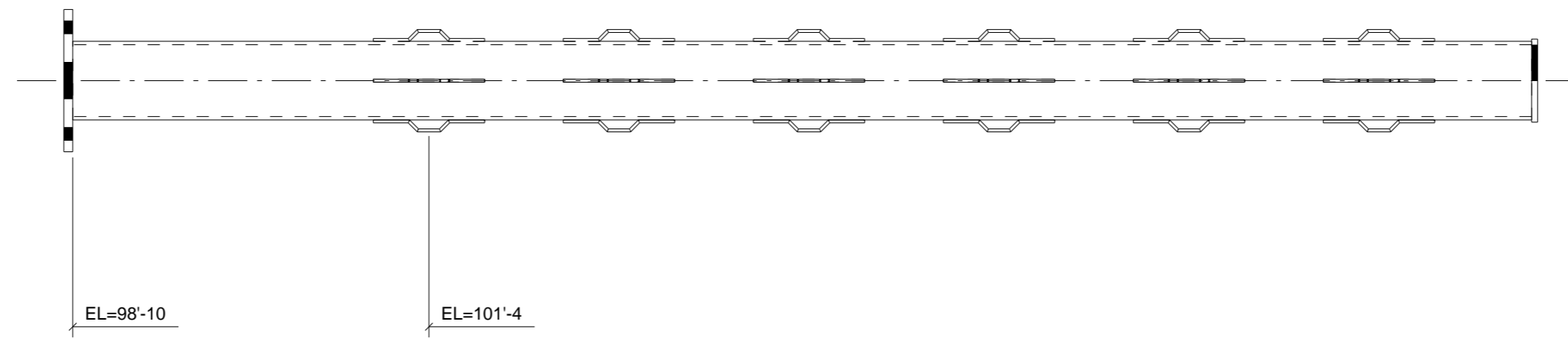
MATERIAL: A992 / A36	ELECTRODES: E70XX LH	REF. DRG.	JOB USE
HOLES: 13/16 DIA. U/N	CONN'S.: -		SHOP
SURFACE PREP. SSPC-SP-2			APPROVAL
AND PAINT: GREY PRIMER DEVOE NA-195 (U.N.)			

DESCRIPTION:	COLUMN
PROJECT NAME	Ross Middle School Addition/Remodel
LOCATION	Ross Local School District - Hamilton, O
CONTRACTOR	Endeavor

Avenue Fabricating Inc.
1281 Clough Pike
Batavia, OH 45103
(513) 752-1911

DRAWN BY	TMc	DATE	05/13/2010
CHKD. BY	TAN	DATE	06/24/2010
JOB No.	10-11	DRG. No.	13C3
		REV.	2

GRID LOCATION	BOTTOM ELEVATION
cB/c2	98'-9"1/4



PHASE				
1	2	3	4	5
1	0	0	0	0

ONE - COLUMN - 13C4

FINISH: GALVANIZED

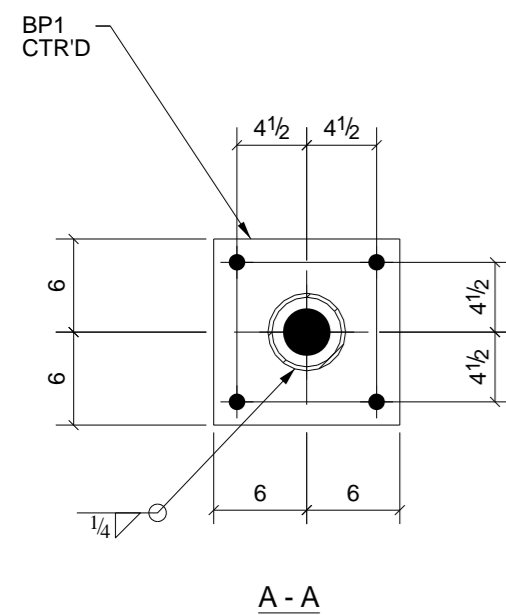
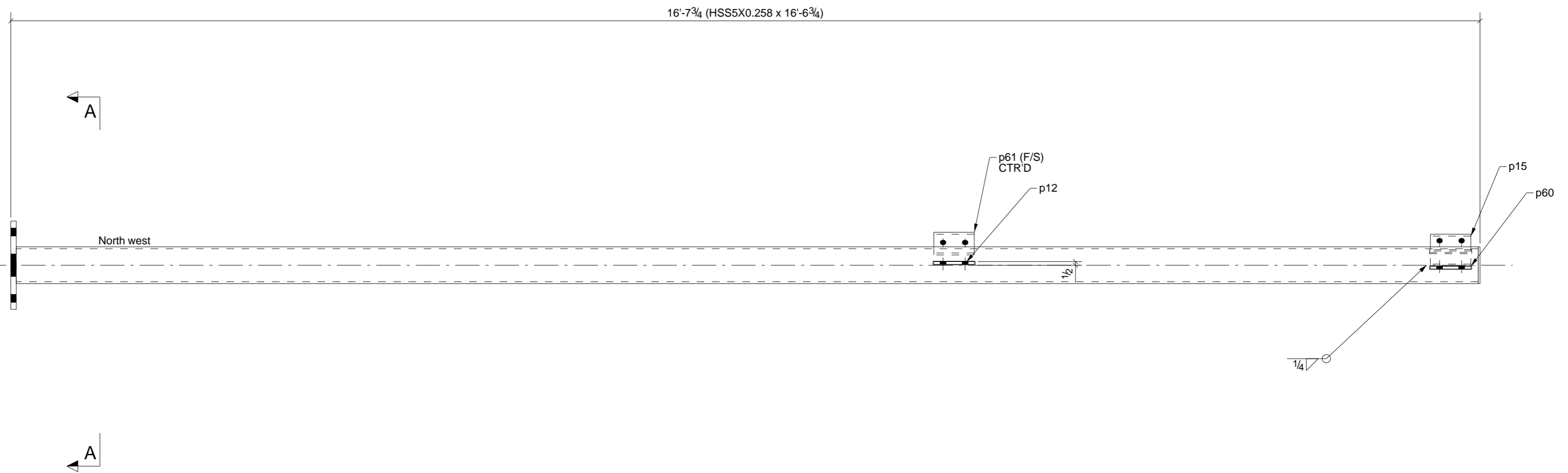
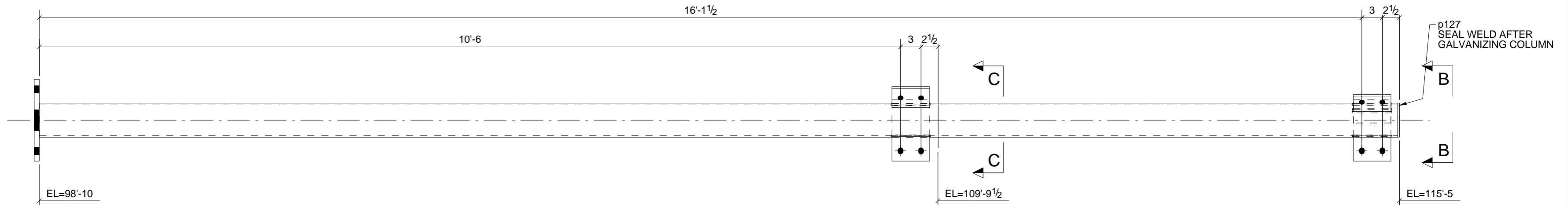
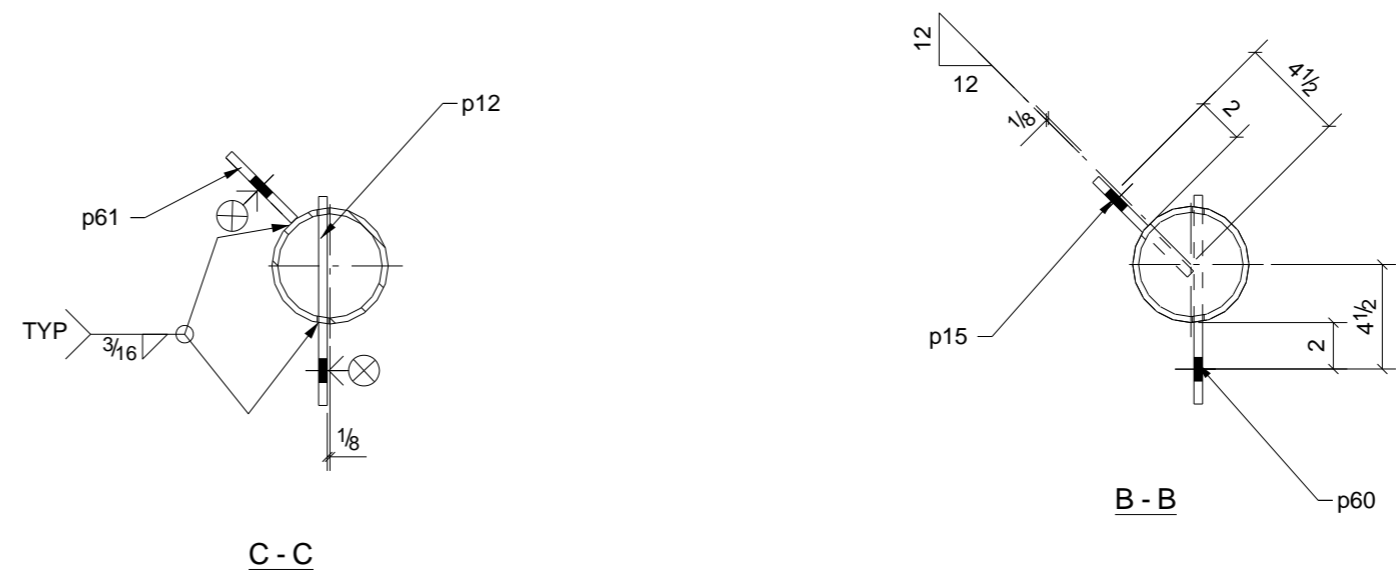
(cB/c2)

BILL OF MATERIAL

SHIP	MARK	NO PCS	DESCRIPTION	LENGTH	PIECE MARK	REMARKS
1	13C4	1	PIPE6STD	10'-2 7/8"		SQ-2 A53 GALVANIZED
		1	BAR3/4"X12"	1'-0"	BP1	A36 GALVANIZED
		1	BAR1/2"X7"	0'-7"	p59	A36
		24	H&B #359	0'-9 9/16"	x1	A36

A	For Approval	05/13/10	TMc		
0	For Fabrication F&F	6/24/10	TMc	TH	
REV.	DESCRIPTION	DATE	DWN	CHK	
GENERAL NOTES				JOB USE	
MATERIAL: A992 / A36		ELECTRODES: E70XX LH	REF. DRG.		
HOLES: 13/16 DIA. U/N		CONN'S.: -	SHOP		
SURFACE PREP. SSPC-SP-2 AND PAINT: GREY PRIMER DEVOE NA-195 (U.N.)			APPROVAL		
DESCRIPTION: COLUMN					
PROJECT NAME: Ross Middle School Addition/Remodel					
LOCATION: Ross Local School District - Hamilton, O					
CONTRACTOR: Endeavor					
Avenue Fabricating Inc. 1281 Clough Pike Batavia, OH 45103 (513) 752-1911		DRAWN BY: TMc		DATE: 05/13/2010	
		CHKD. BY: TAN		DATE: 06/24/2010	
		JOB No. 10-11		DRG. No. 13C4	REV. 2

GRID LOCATION	BOTTOM ELEVATION
cA/c1	98'-9"1/4



PHASE				
1	2	3	4	5
1	0	0	0	0

ONE - COLUMN - 13C5

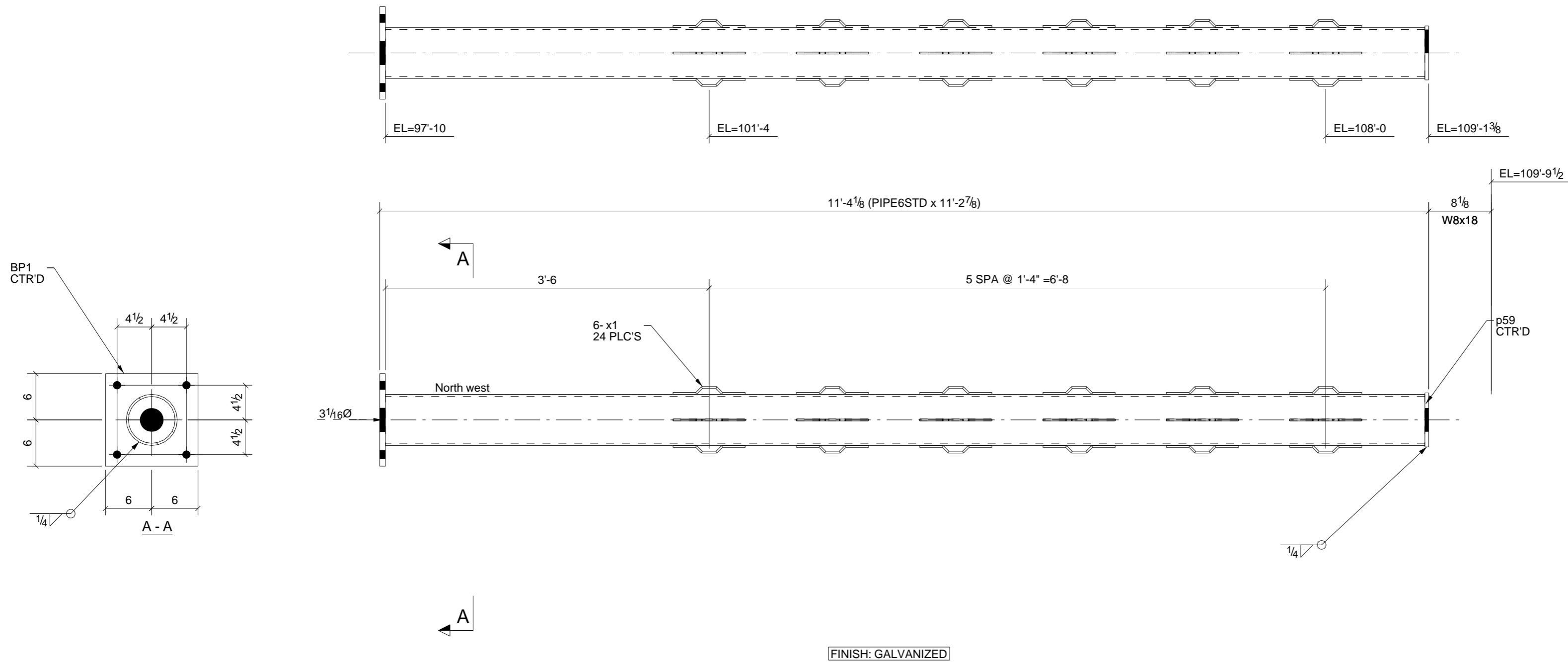
FINISH: GALVANIZED

BILL OF MATERIAL

SHIP	MARK	NO PCS	DESCRIPTION	LENGTH	PIECE MARK	REMARKS
1	13C5	1	HSS5X0.258	16'-6 3/4"		SQ-2 A500-GR.B GALVANIZED
		1	BAR3/4"X12"	1'-0"	BP1	A36 GALVANIZED
		1	BAR3/8"X5 1/2"	0'-9"	p12	A36
		1	BAR3/8"X5 1/2"	0'-5 3/4"	p15	A36
		1	BAR3/8"X5 1/2"	0'-9"	p60	A36
		1	PL3/8"X4"	0'-5 1/2"	p61	A36
		1	BAR 1/4X5 DIA	0'-0 1/4"	p127	A36

A	For Approval	05/13/10	TMc		
0	For Fabrication F&F	6/24/10	TMc	TH	
REV.	DESCRIPTION	DATE	DWN	CHK	
GENERAL NOTES					
MATERIAL: A992 / A36		ELECTRODES: E70XX LH		REF. DRG.	
HOLES: 13/16 DIA. U/N		CONN'S.: -			
SURFACE PREP. SSPC-SP-2		AND PAINT: GREY PRIMER DEVOE NA-195 (U.N.)			
DESCRIPTION: COLUMN		JOB USE			
PROJECT NAME Ross Middle School Addition/Remodel		SHOP			
LOCATION Ross Local School District - Hamilton, O		APPROVAL			
CONTRACTOR Endeavor					
Avenue Fabricating Inc. 1281 Clough Pike Batavia, OH 45103 (513) 752-1911		DRAWN BY TMc		DATE 05/13/2010	
		CHKD. BY TAN		DATE 06/24/2010	
		JOB No. 10-11		DRG. No. 13C5	REV. 2

GRID LOCATION	BOTTOM ELEVATION
cA/c4	97'-9"1/4
cB/c4	97'-9"1/4
cA/c2	97'-9"1/4



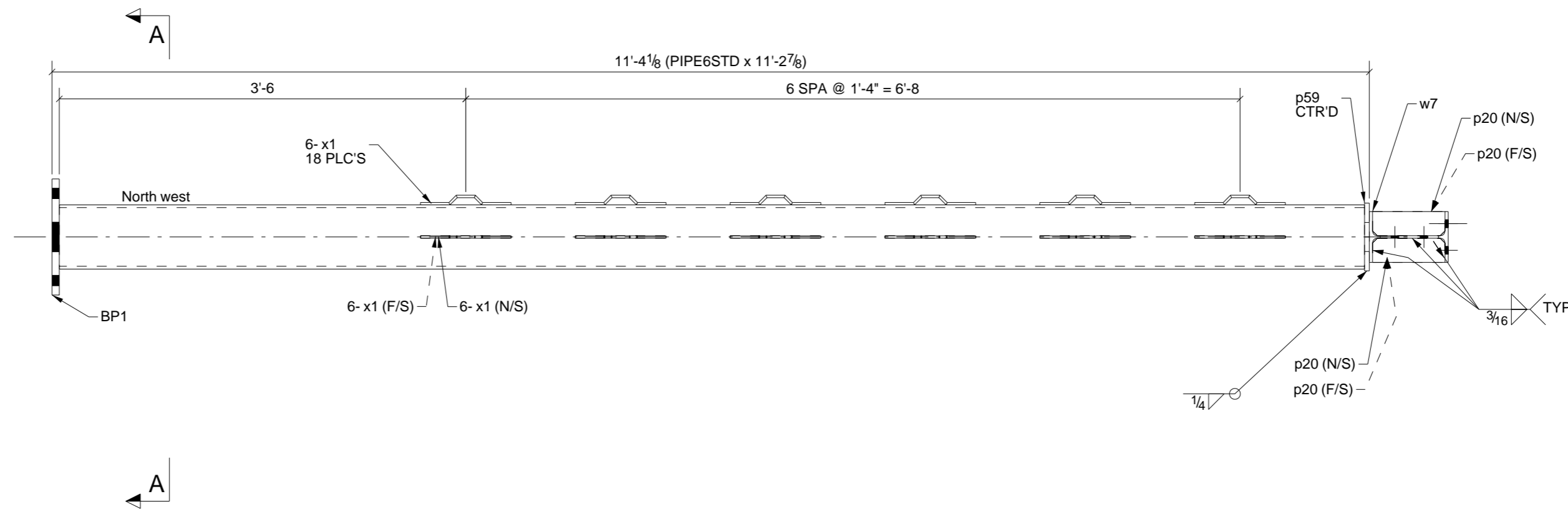
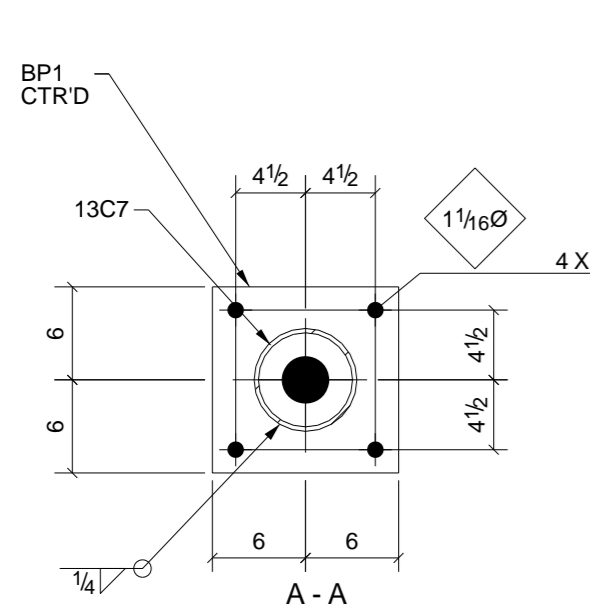
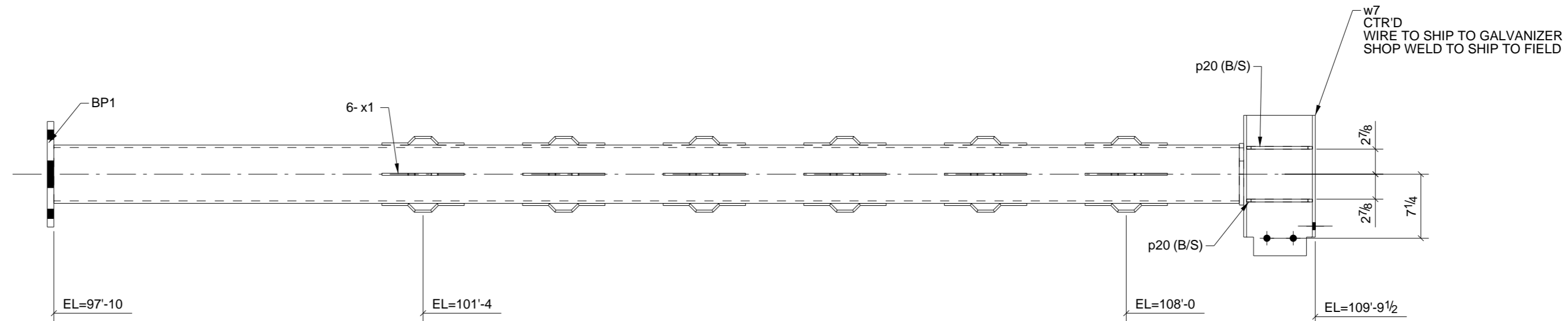
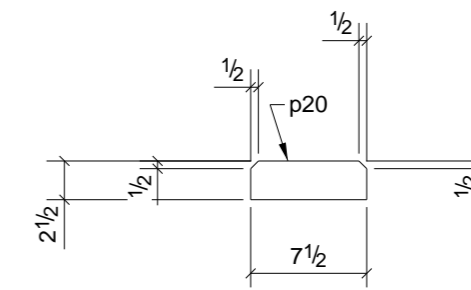
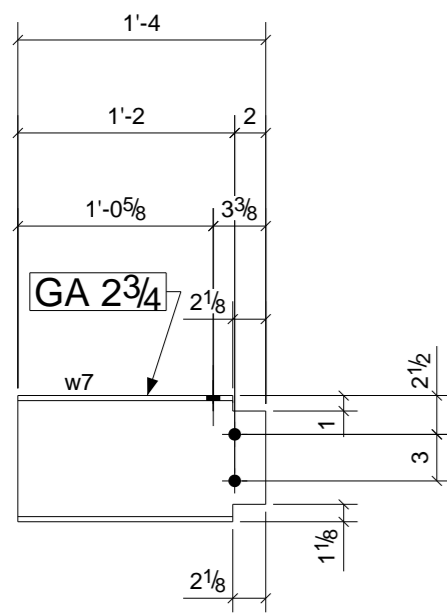
3 - COLUMNS - 13C6

PHASE				
1	2	3	4	5
3	0	0	0	0

BILL OF MATERIAL						
SHIP	MARK	NO PCS	DESCRIPTION	LENGTH	PIECE MARK	REMARKS
3	13C6	3	PIPE6STD	11'-2 7/8"		SQ-2 A53 GALVANIZED
		3	BAR3/4"X12"	1'-0"	BP1	A36 GALVANIZED
		3	BAR1/2"X7"	0'-7"	p59	A36
		72	H&B #359	0'-9 9/16"	x1	A36

A	For Approval	05/13/10	TMc	
0	For Fabrication F&F	6/24/10	TMc	TH
REV.	DESCRIPTION	DATE	DWN	CHK
GENERAL NOTES				JOB USE
MATERIAL: A992 / A36		ELECTRODES: E70XX LH	REF. DRG.	
HOLES: 13/16 DIA. U/N		CONN'S.: -	SHOP	
SURFACE PREP. SSPC-SP-2			APPROVAL	
AND PAINT: GREY PRIMER DEVOE NA-195 (U.N.)				
DESCRIPTION: COLUMN				
PROJECT NAME: Ross Middle School Addition/Remodel				
LOCATION: Ross Local School District - Hamilton, O				
CONTRACTOR: Endeavor				
Avenue Fabricating Inc. 1281 Clough Pike Batavia, OH 45103 (513) 752-1911		DRAWN BY: TMc		DATE: 05/13/2010
		CHKD. BY: TAN		DATE: 06/24/2010
		JOB No. 10-11	DRG. No. 13C6	REV. 2

GRID LOCATION	BOTTOM ELEVATION
cB/c3	97'-9"1/4



PHASE				
1	2	3	4	5
1	0	0	0	0

ONE - COLUMN - 13C7

FINISH: GALVANIZED

BILL OF MATERIAL

SHIP	MARK	NO PCS	DESCRIPTION	LENGTH	PIECE MARK	REMARKS
1	13C7	1	PIPE6STD	11'-2 7/8"		SQ-2 A53 GALVANIZED
		1	BAR3/4"X12"	1'-0"	BP1	A36 GALVANIZED
		4	BAR5/16"X2 1/2"	0'-7 1/2"	p20	A36
		1	BAR1/2"X7"	0'-7"	p59	A36
		1	W8X18	1'-4"	w7	A992
		18	H&B #359	0'-9 9/16"	x1	A36

A	For Approval	05/13/10	TMc	
0	For Fabrication F&F	6/24/10	TMc	TH
REV.	DESCRIPTION	DATE	DWN	CHK

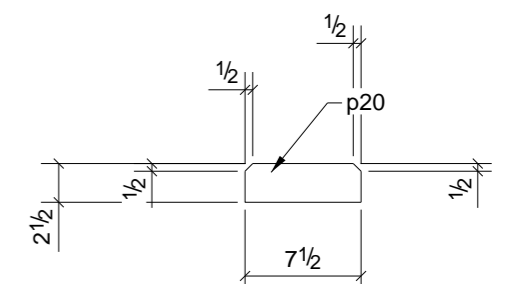
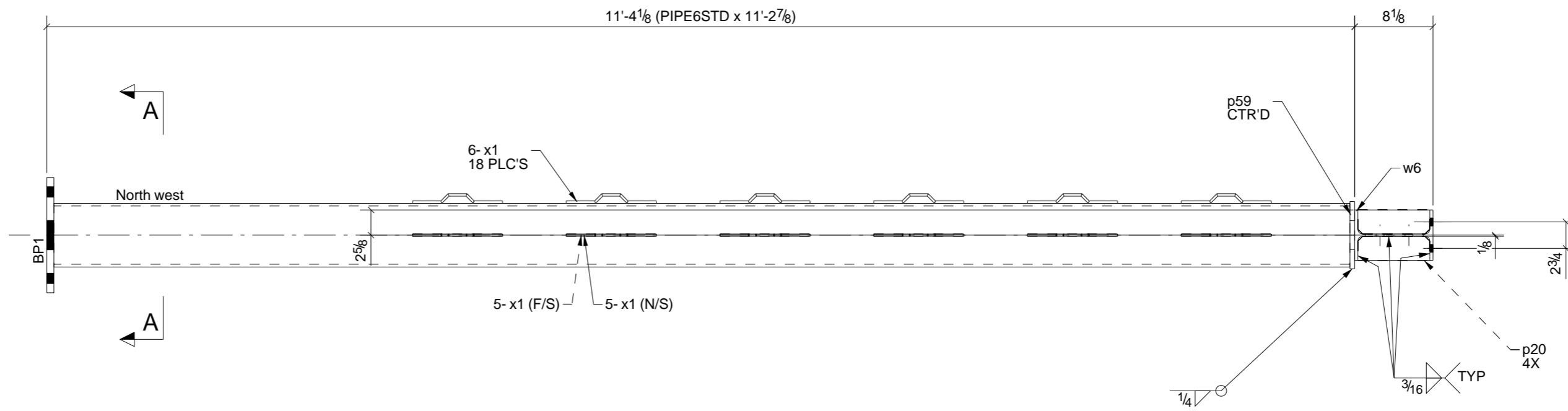
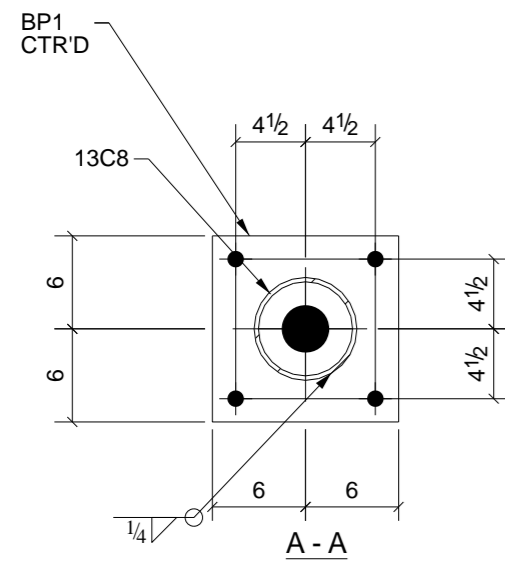
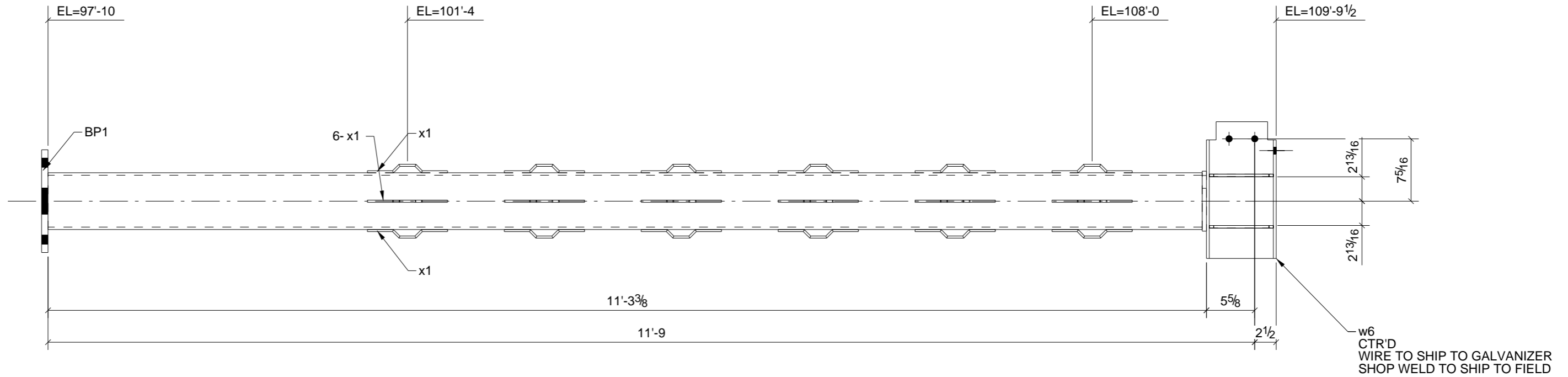
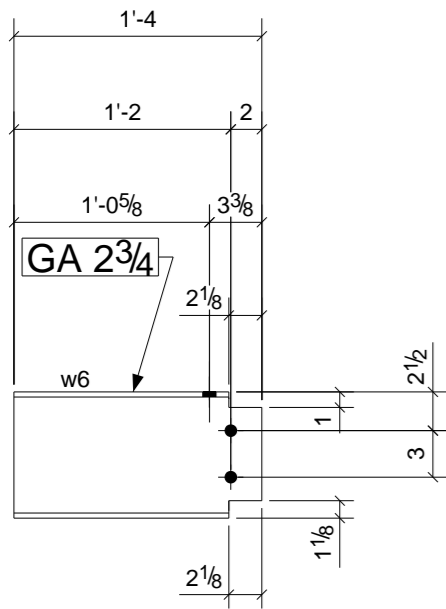
GENERAL NOTES

MATERIAL: A992 / A36	ELECTRODES: E70XX LH	REF. DRG.	JOB USE
HOLES: 13/16 DIA. U/N	CONN'S.: -		SHOP
SURFACE PREP. SSPC-SP-2			APPROVAL
AND PAINT: GREY PRIMER DEVOE NA-195 (U.N.)			
DESCRIPTION: COLUMN			
PROJECT NAME: Ross Middle School Addition/Remodel			
LOCATION: Ross Local School District - Hamilton, O			
CONTRACTOR: Endeavor			

Avenue Fabricating Inc.
1281 Clough Pike
Batavia, OH 45103
(513) 752-1911

DRAWN BY TMc	DATE 05/13/2010
CHKD. BY TAN	DATE 06/24/2010
JOB No. 10-11	DRG. No. 13C7
	REV. 2

GRID LOCATION	BOTTOM ELEVATION
cA/c3	97'-9"1/4



PHASE				
1	2	3	4	5
1	0	0	0	0

ONE - COLUMN - 13C8

FINISH: GALVANIZED

BILL OF MATERIAL

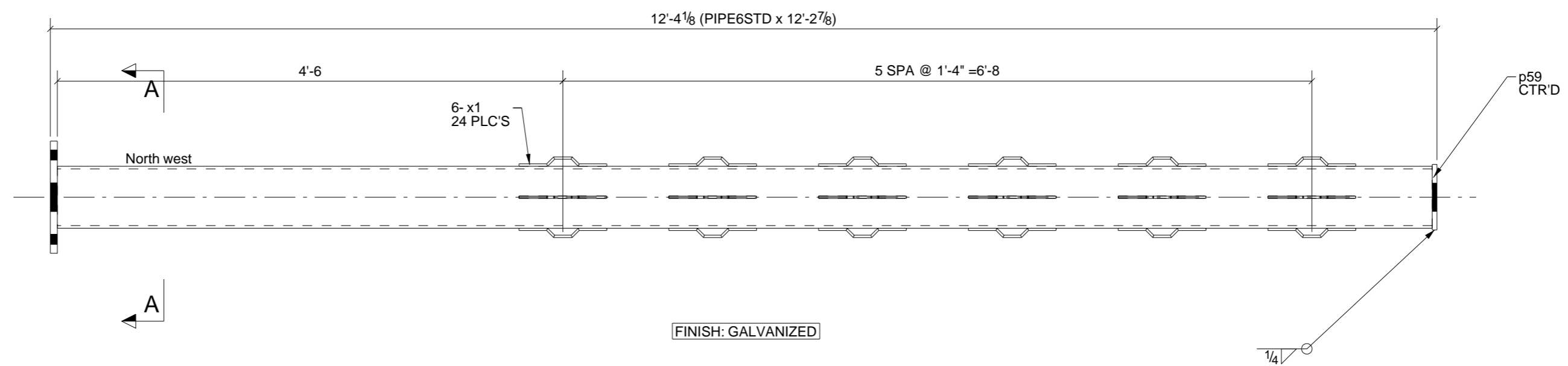
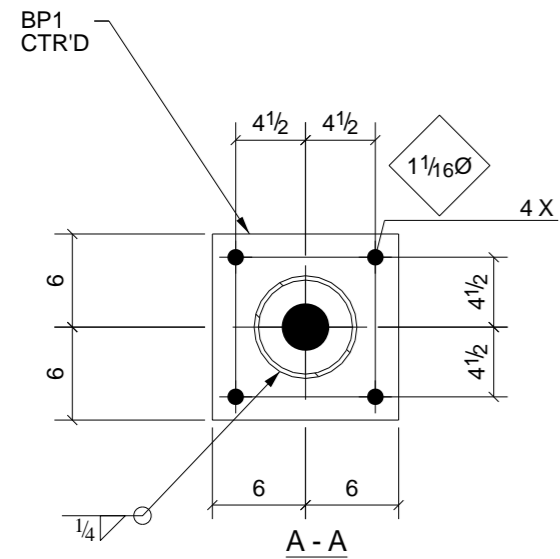
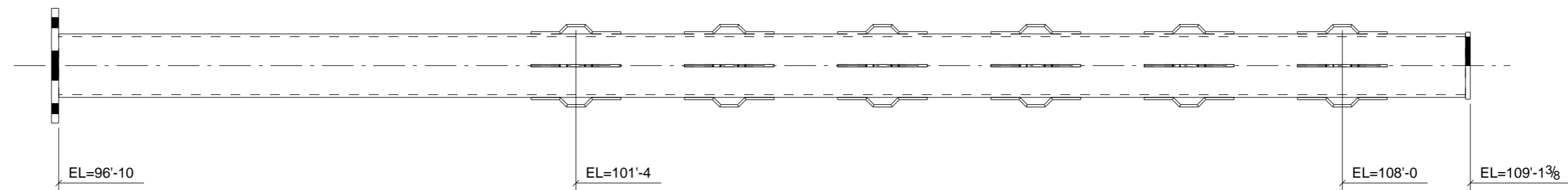
SHIP	MARK	NO PCS	DESCRIPTION	LENGTH	PIECE MARK	REMARKS
1	13C8	1	PIPE6STD	11'-2 7/8"		SQ-2 A53 GALVANIZED
		1	BAR3/4"X12"	1'-0"	BP1	A36 GALVANIZED
		12	BAR5/16"X2 1/2"	0'-7 1/2"	p20	A36
		1	BAR1/2"X7"	0'-7"	p59	A36
		1	W8X18	1'-4"	w6	A992
		18	H&B #359	0'-9 9/16"	x1	A36

A	For Approval	05/13/10	TMc	
0	For Fabrication F&F	6/24/10	TMc	TH
REV.	DESCRIPTION	DATE	DWN	CHK

GENERAL NOTES

MATERIAL: A992 / A36	ELECTRODES: E70XX LH	REF. DRG.	JOB USE
HOLES: 13/16 DIA. U/N	CONN'S.: -		SHOP
SURFACE PREP. SS-SP-2	AND PAINT: GREY PRIMER DEVOE NA-195 (U.N.)		APPROVAL
DESCRIPTION: COLUMN			
PROJECT NAME	Ross Middle School Addition/Remodel		
LOCATION	Ross Local School District - Hamilton, O		
CONTRACTOR	Endeavor		
Avenue Fabricating Inc. 1281 Clough Pike Batavia, OH 45103 (513) 752-1911		DRAWN BY	DATE
		TMc	05/13/2010
		CHKD. BY	DATE
		TAN	06/24/2010
JOB No.	DRG. No.	REV.	
10-11	13C8	2	

GRID LOCATION	BOTTOM ELEVATION
cB/c5	96'-9"1/4
cB/c6	96'-9"1/4
cA/c8	96'-9"1/4
cB/c8	96'-9"1/4
cA/c5	96'-9"1/4



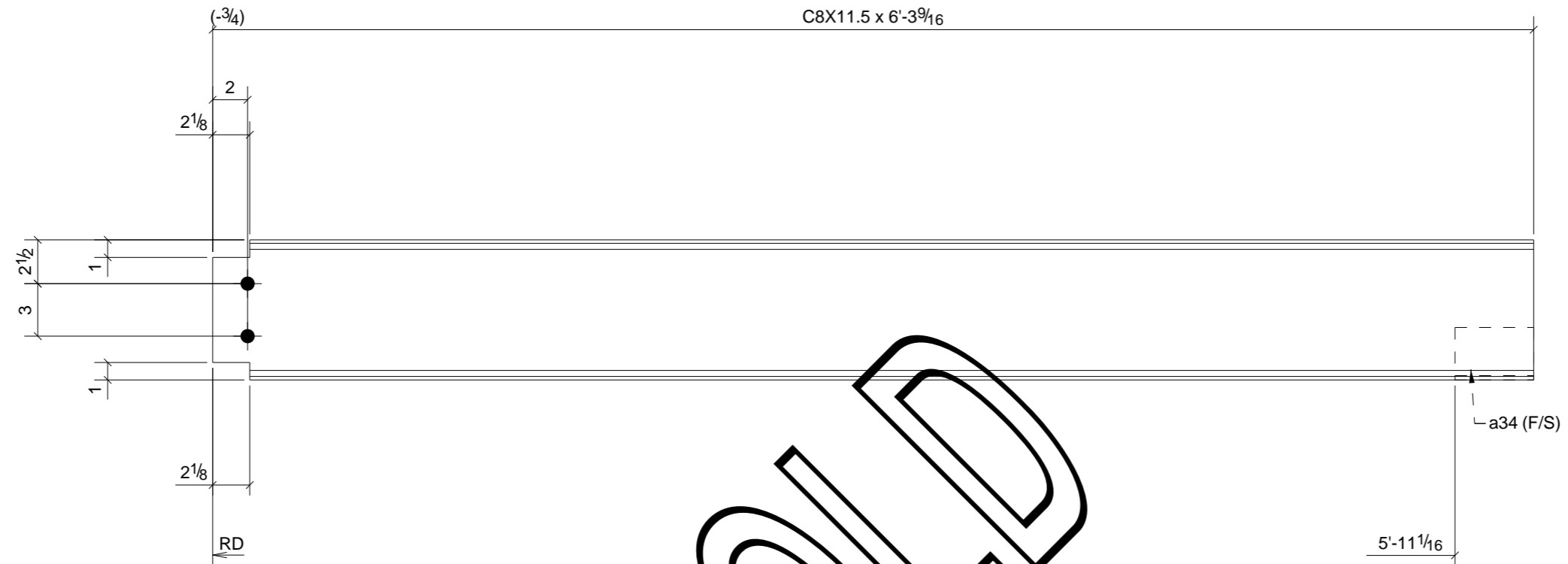
5 - COLUMNS - 13C9

PHASE				
1	2	3	4	5
5	0	0	0	0

BILL OF MATERIAL						
SHIP	MARK	NO PCS	DESCRIPTION	LENGTH	PIECE MARK	REMARKS
5	13C9	5	PIPE6STD	12'-2 7/8"		SQ-2 A53 GALVANIZED
		5	BAR3/4"X12"	1'-0"	BP1	A36 GALVANIZED
		5	BAR1/2"X7"	0'-7"	p59	A36
		120	H&B #359	0'-9 9/16"	x1	A36

A	For Approval	05/13/10	TMc	
0	For Fabrication F&F	6/24/10	TMc	TH
REV.	DESCRIPTION	DATE	DWN	CHK
GENERAL NOTES				JOB USE
MATERIAL: A992 / A36		ELECTRODES: E70XX LH	REF. DRG.	
HOLES: 13/16 DIA. U/N		CONN'S.: -	SHOP	
SURFACE PREP. SS-PC-SP-2			APPROVAL	
AND PAINT: GREY PRIMER DEVOE NA-195 (U.N.)				
DESCRIPTION: COLUMN				
PROJECT NAME		Ross Middle School Addition/Remodel		
LOCATION		Ross Local School District - Hamilton, O		
CONTRACTOR		Endeavor		
Avenue Fabricating Inc. 1281 Clough Pike Batavia, OH 45103 (513) 752-1911		DRAWN BY		DATE
		TMc		05/12/2010
		CHKD. BY		DATE
		TAN		06/24/2010
JOB No.		DRG. No.	REV.	
10-11		13C9	2	

RFI #	INFORMATION
DATE:	STATUS:
DESC.	



HOLD

FINISH GALVANIZED

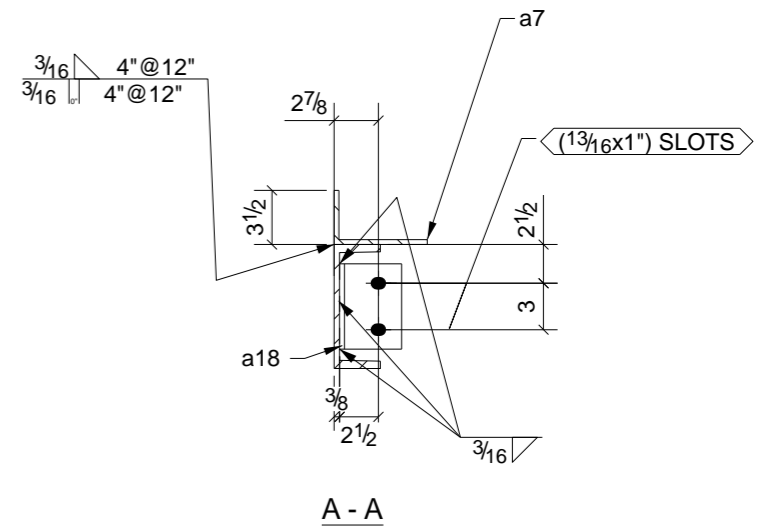
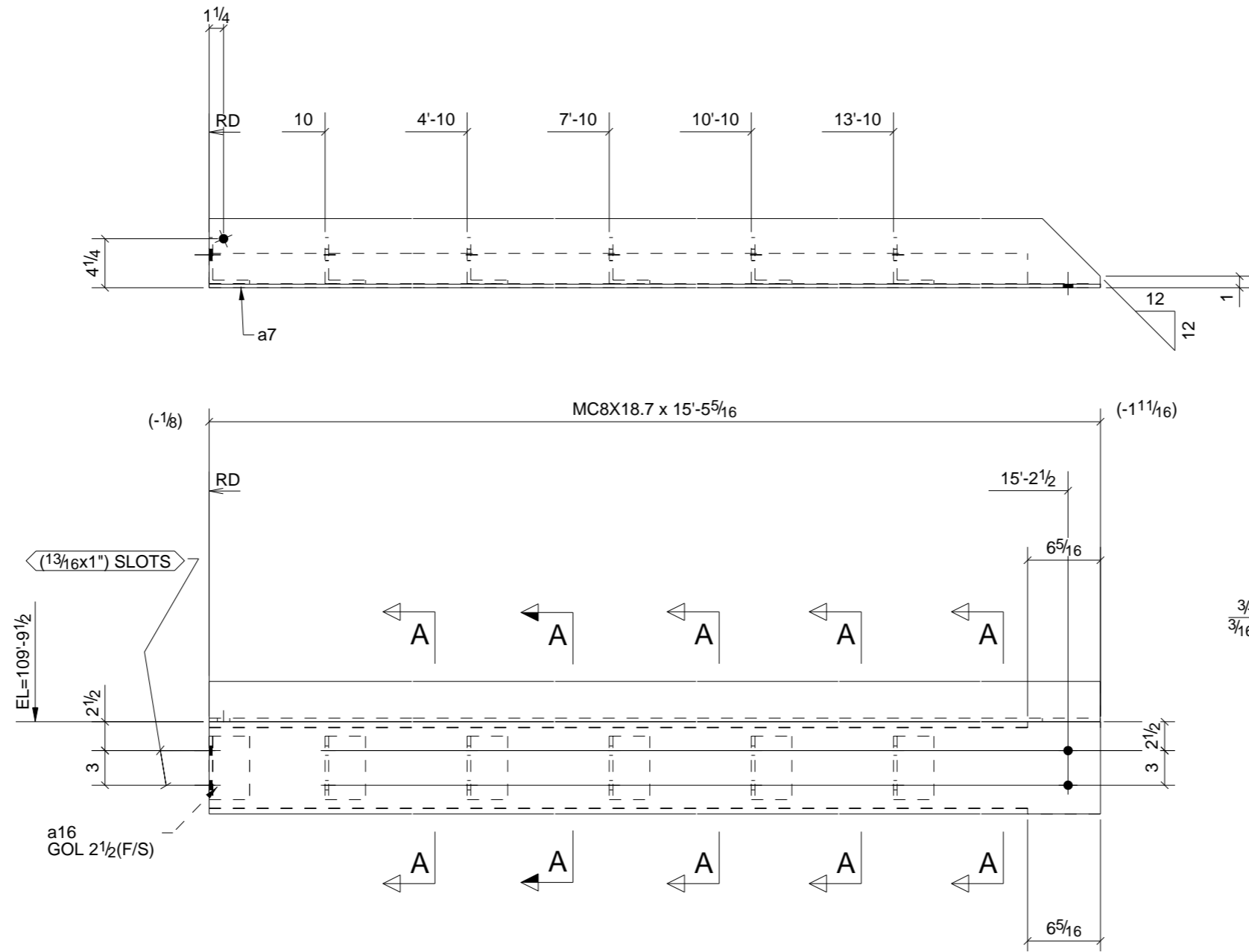
2 - BEAMS - 15B1

PHASE				
1	2	3	4	5
2	0	0	0	0

A	For Approval	05/13/10	TMc	
REV.	DESCRIPTION	DATE	DWN	CHK
GENERAL NOTES			JOB USE	
MATERIAL: A992 / A36	ELECTRODES: E70XX LH	REF. DRG.	SHOP	
HOLES: 13/16 DIA. U/N	CONN'S.: -		APPROVAL	
SURFACE PREP. SSPC-SP-2 AND PAINT: GREY PRIMER DEVOE NA-195 (U.N.)				
DESCRIPTION:	CHANNEL			
PROJECT NAME	Ross Middle School Addition/Remodel			
LOCATION	Ross Local School District - Hamilton, O			
CONTRACTOR	Endeavor			
Avenue Fabricating Inc.		DRAWN BY	DATE	
1281 Clough Pike		TMc	05/14/2010	
Batavia, OH 45103		CHKD. BY	DATE	
(513) 752-1911		TAN	06/24/2010	
		JOB No.	DRG. No.	REV.
		10-11	15B1	1

BILL OF MATERIAL

SHIP	MARK	NO PCS	DESCRIPTION	LENGTH	PIECE MARK	REMARKS
2	15B1	2	C8X11.5	6'-3 9/16"		SQ-2 A36 GALVANIZED
		2	L3X3X1/4	0'-4 1/2"	a34	A36



PHASE				
1	2	3	4	5
1	0	0	0	0

ONE - BEAM - 15B10

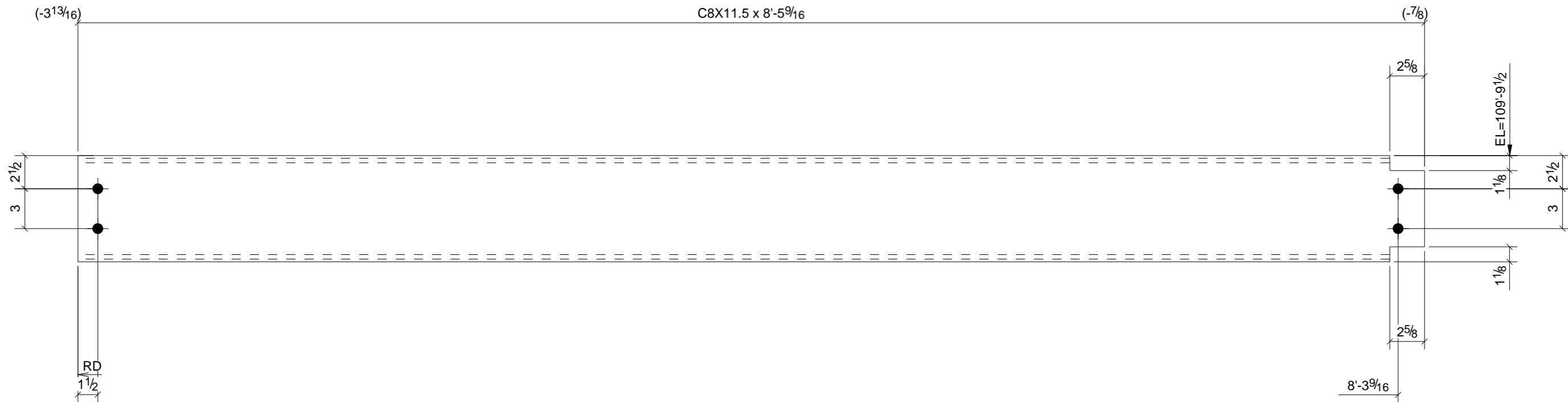
FINISH: GALVANIZED

A	For Approval	05/13/10	TMc	
0	For Fabrication F&F	6/24/10	TMc	TH
REV.	DESCRIPTION	DATE	DWN	CHK

GENERAL NOTES			JOB USE	
MATERIAL: A992 / A36	ELECTRODES: E70XX LH	REF. DRG.		
HOLES: 13/16 DIA. U/N	CONN'S: -		SHOP	
SURFACE PREP. SSPC-SP-2 AND PAINT: GREY PRIMER DEVOE NA-195 (U.N.)			APPROVAL	

BILL OF MATERIAL						
SHIP	MARK	NO PCS	DESCRIPTION	LENGTH	PIECE MARK	REMARKS
1	15B10	1	MC8X18.7	15'-5 5/16"		SQ-2 A36 GALVANIZED
		1	L6X3-1/2X5/16	15'-5 5/16"	a7	A36
		1	L4X3-1/2X5/16	0'-5 1/2"	a16	A36
		5	L4X3-1/2X5/16	0'-5 1/2"	a18	A36

DESCRIPTION: CHANNEL									
PROJECT NAME: Ross Middle School Addition/Remodel									
LOCATION: Ross Local School District - Hamilton, O									
CONTRACTOR: Endeavor									
Avenue Fabricating Inc. 1281 Clough Pike Batavia, OH 45103 (513) 752-1911	<table border="1" style="width: 100%; border-collapse: collapse;"> <tr> <td style="width: 50%;">DRAWN BY: TMc</td> <td style="width: 50%;">DATE: 05/14/2010</td> </tr> <tr> <td>CHKD. BY: TAN</td> <td>DATE: 07/01/2010</td> </tr> <tr> <td>JOB No. 10-11</td> <td>DRG. No. 15B10</td> </tr> <tr> <td></td> <td>REV. 2</td> </tr> </table>	DRAWN BY: TMc	DATE: 05/14/2010	CHKD. BY: TAN	DATE: 07/01/2010	JOB No. 10-11	DRG. No. 15B10		REV. 2
DRAWN BY: TMc	DATE: 05/14/2010								
CHKD. BY: TAN	DATE: 07/01/2010								
JOB No. 10-11	DRG. No. 15B10								
	REV. 2								



PHASE				
1	2	3	4	5
1	0	0	0	0

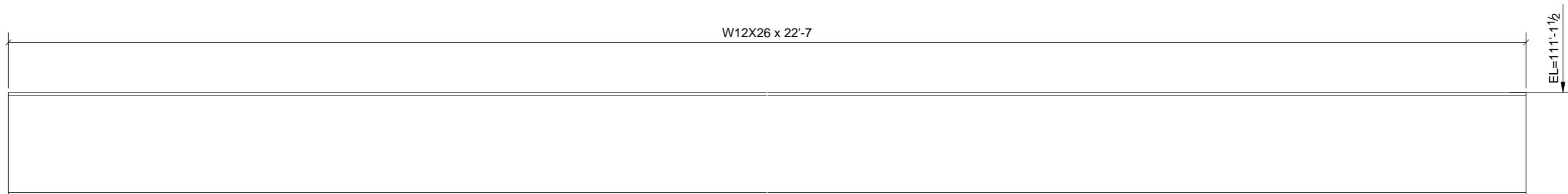
ONE - BEAM - 15B11

FINISH: GALVANIZED

BILL OF MATERIAL

SHIP	MARK	NO PCS	DESCRIPTION	LENGTH	PIECE MARK	REMARKS
1	15B11	1	C8X11.5	8'-5 9/16"		SQ-2 A36 GALVANIZED

A	For Approval	05/13/10	TMc	
0	For Fabrication F&F	6/24/10	TMc	TH
REV.	DESCRIPTION	DATE	DWN	CHK
GENERAL NOTES			JOB USE	
MATERIAL: A992 / A36		ELECTRODES: E70XX LH	REF. DRG.	
HOLES: 13/16 DIA. U/N		CONN'S.: -	SHOP	
SURFACE PREP. SSPC-SP-2			APPROVAL	
AND PAINT: GREY PRIMER DEVOE NA-195 (U.N.)				
DESCRIPTION: CHANNEL				
PROJECT NAME: Ross Middle School Addition/Remodel				
LOCATION: Ross Local School District - Hamilton, O				
CONTRACTOR: Endeavor				
Avenue Fabricating Inc. 1281 Clough Pike Batavia, OH 45103 (513) 752-1911		DRAWN BY: TMc		DATE: 05/14/2010
		CHKD. BY: TAN		DATE: 07/01/2010
		JOB No. 10-11	DRG. No. 15B11	REV. 2



(+7") 21'-5-3/8 MO (+/-) VIF (+7")
 SHOP CUT TO ERECTOR FM OR
 FIELD CUT BEAM TO LENGTH

PHASE				
1	2	3	4	5
1	0	0	0	0

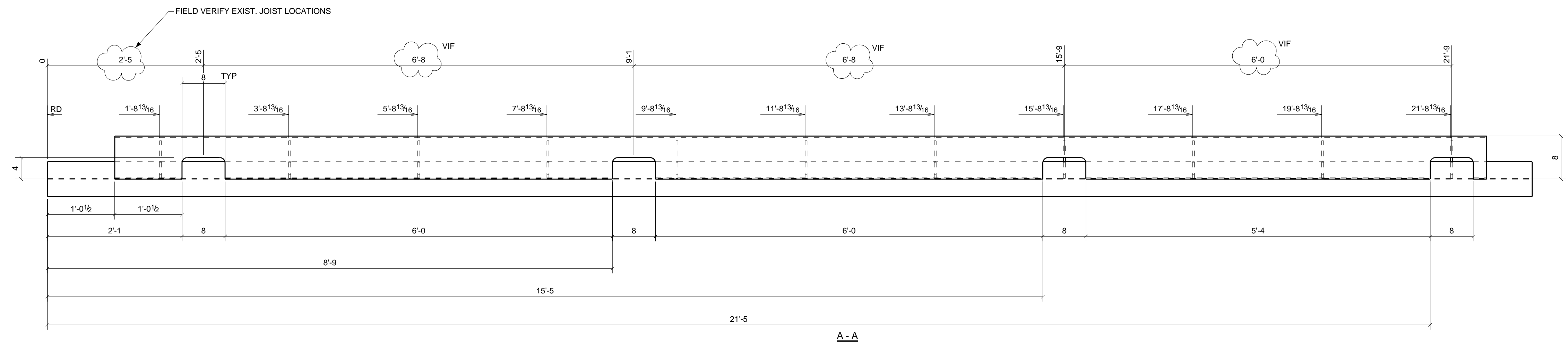
ONE - BEAM - 15B12

W | 12 3/16" x 1/4"
 F | 6 1/2" x 3/8"

A	For Approval	05/13/10	TMc	
0	For Fabrication F&F	6/24/10	TMc	TH
REV.	DESCRIPTION	DATE	DWN	CHK
GENERAL NOTES			JOB USE	
MATERIAL: A992 / A36	ELECTRODES: E70XX LH	REF. DRG.		
HOLES: 13/16 DIA. U/N	CONN'S.: -	SHOP		
SURFACE PREP. SSPC-SP-2			APPROVAL	
AND PAINT: GREY PRIMER DEVOE NA-195 (U.N.)				
DESCRIPTION: BEAM				
PROJECT NAME Ross Middle School Addition/Remodel				
LOCATION Ross Local School District - Hamilton, O				
CONTRACTOR Endeavor				
Avenue Fabricating Inc. 1281 Clough Pike Batavia, OH 45103 (513) 752-1911		DRAWN BY		DATE
		TMc		05/14/2010
		CHKD. BY		DATE
TAN		07/01/2010		
JOB No.		DRG. No.	REV.	
10-11		15B12	2	

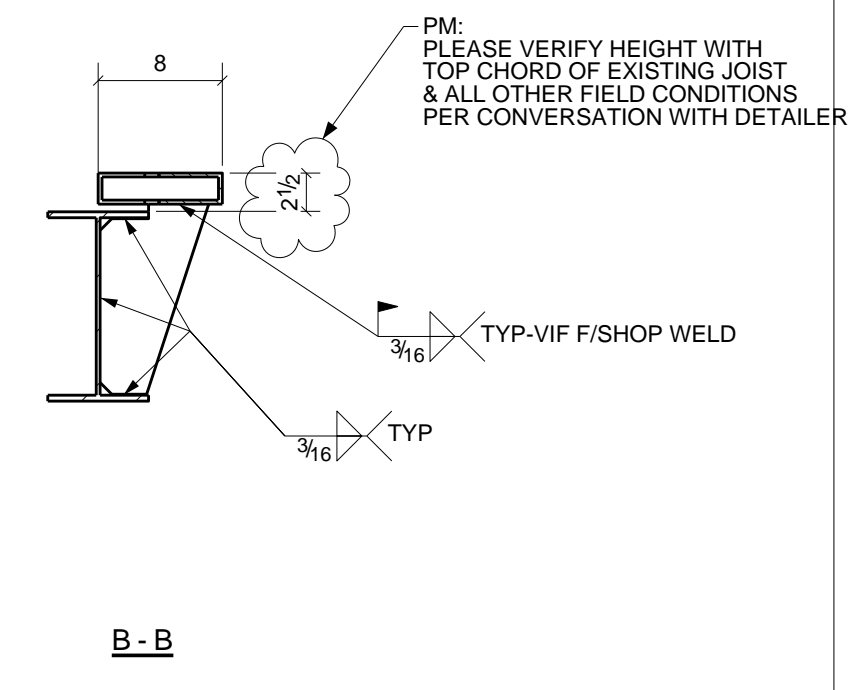
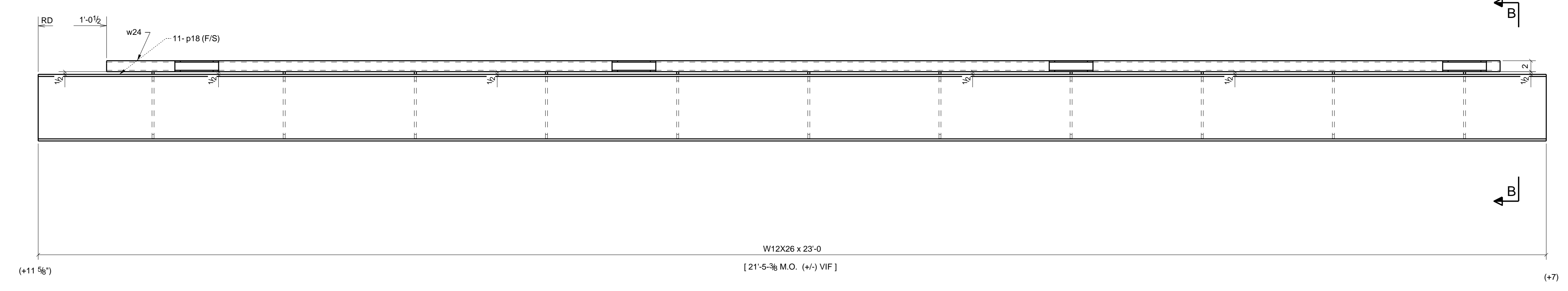
BILL OF MATERIAL

SHIP	MARK	NO PCS	DESCRIPTION	LENGTH	PIECE MARK	REMARKS
1	15B12	1	W12X26	22'-7"		SQ-2 A992 1 S/C STD PRIMER



A

A



PHASE				
1	2	3	4	5
1	0	0	0	0

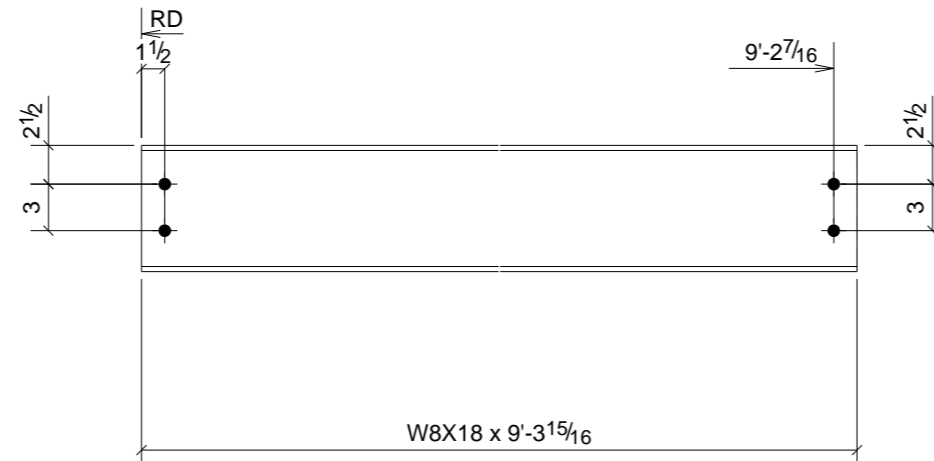
ONE - BEAM - 15B13

W | 12 3/16" x 1/4"
F | 6 1/2" x 3/8"

BILL OF MATERIAL						
SHIP	MARK	NO PCS	DESCRIPTION	LENGTH	PIECE MARK	REMARKS
1	15B13	1	W12X26	23'-0"		SO-2 A992 1 S/C STD PRIMER
		11	BAR3/8"X7"	1'-0 1/4"	p18	A36
		1	HSS8X2X1/4	21'-3"	w24	A500-GR.B

A	For Approval	05/13/10	TMc	
0	For Fabrication F&F	6/24/10	TMc	TH
REV.	DESCRIPTION	DATE	DWN	CHK
GENERAL NOTES				JOB USE
MATERIAL: A992 / A36		ELECTRODES: E70XX LH	REF. DRG.	
HOLES: 13/16 DIA. U/N		CONNS.: -	SHOP	
SURFACE PREP: SSPC-SP-2		APPROVAL		
AND PAINT: GREY PRIMER DEVOE NA-195 (U.N.)				
DESCRIPTION: BEAM				
PROJECT NAME: Ross Middle School Addition/Remodel				
LOCATION: Ross Local School District - Hamilton, O				
CONTRACTOR: Endeavor				
DRAWN BY: TMc		DATE: 05/14/2010		
CHKD. BY: TAN		DATE: 07/01/2010		
JOB No.: 10-11		DRG. No.: 15B13		REV.: 2

Avenue Fabricating Inc.
1281 Clough Pike
Batavia, OH 45103
(513) 752-1911



PHASE				
1	2	3	4	5
1	0	0	0	0

ONE - BEAM - 15B15

FINISH: GALVANIZED

W | 8 1/8" x 1/4"
F | 5 1/4" x 5/16"

A	For Approval	05/13/10	TMc	
0	For Fabrication F&F	6/24/10	TMc	TH
REV.	DESCRIPTION	DATE	DWN	CHK

GENERAL NOTES

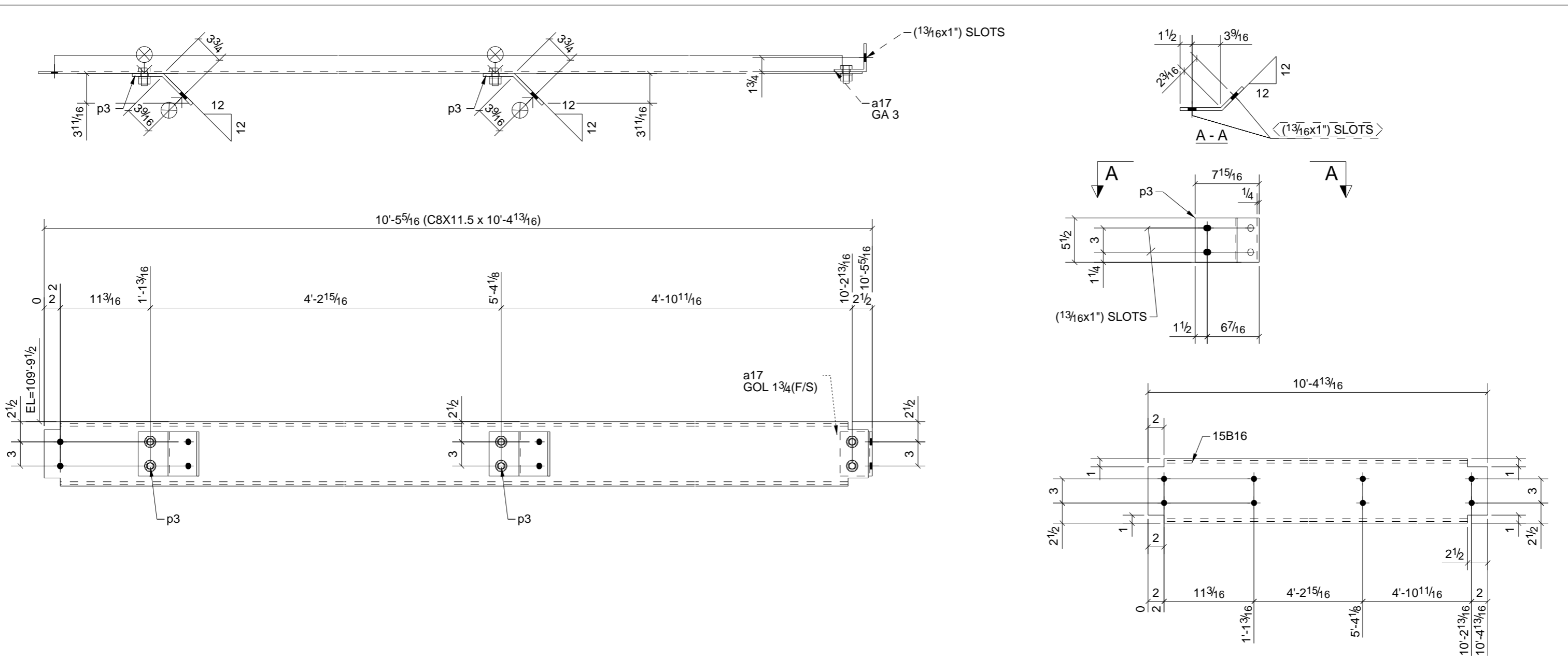
GENERAL NOTES			JOB USE	
MATERIAL: A992 / A36	ELECTRODES: E70XX LH	REF. DRG.		
HOLES: 13/16 DIA. U/N	CONN'S.: -		SHOP	
SURFACE PREP: SSPC-SP-2			APPROVAL	
AND PAINT: GREY PRIMER DEVOE NA-195 (U.N.)				
DESCRIPTION: BEAM				
PROJECT NAME: Ross Middle School Addition/Remodel				
LOCATION: Ross Local School District - Hamilton, O				
CONTRACTOR: Endeavor				

BILL OF MATERIAL

SHIP	MARK	NO PCS	DESCRIPTION	LENGTH	PIECE MARK	REMARKS
1	15B15	1	W8X18	9'-3 15/16"		SQ-2 A992 GALVANIZED

Avenue Fabricating Inc.
1281 Clough Pike
Batavia, OH 45103
(513) 752-1911

DRAWN BY TMc	DATE 05/14/2010
CHKD. BY TAN	DATE 07/01/2010
JOB No. 10-11	DRG. No. 15B15
	REV. 2



ONE - BEAM - 15B16

FINISH: GALVANIZED

PHASE				
1	2	3	4	5
1	0	0	0	0

BILL OF MATERIAL

SHIP	MARK	NO PCS	DESCRIPTION	LENGTH	PIECE MARK	REMARKS
1	15B16	1	C8X11.5	10'-4 13/16"		SQ-2 A36 GALVANIZED
		1	L4X3-1/2X5/16	0'-5 1/2"	a17	A36
		2	BAR3/8"X5 1/2"	0'-8 3/4"	p3	A36
		6	3/4"Ø A325N BOLT	0'-1 3/4"		

A	For Approval	05/13/10	TMc	
0	For Fabrication F&F	6/24/10	TMc	TH
REV.	DESCRIPTION	DATE	DWN	CHK

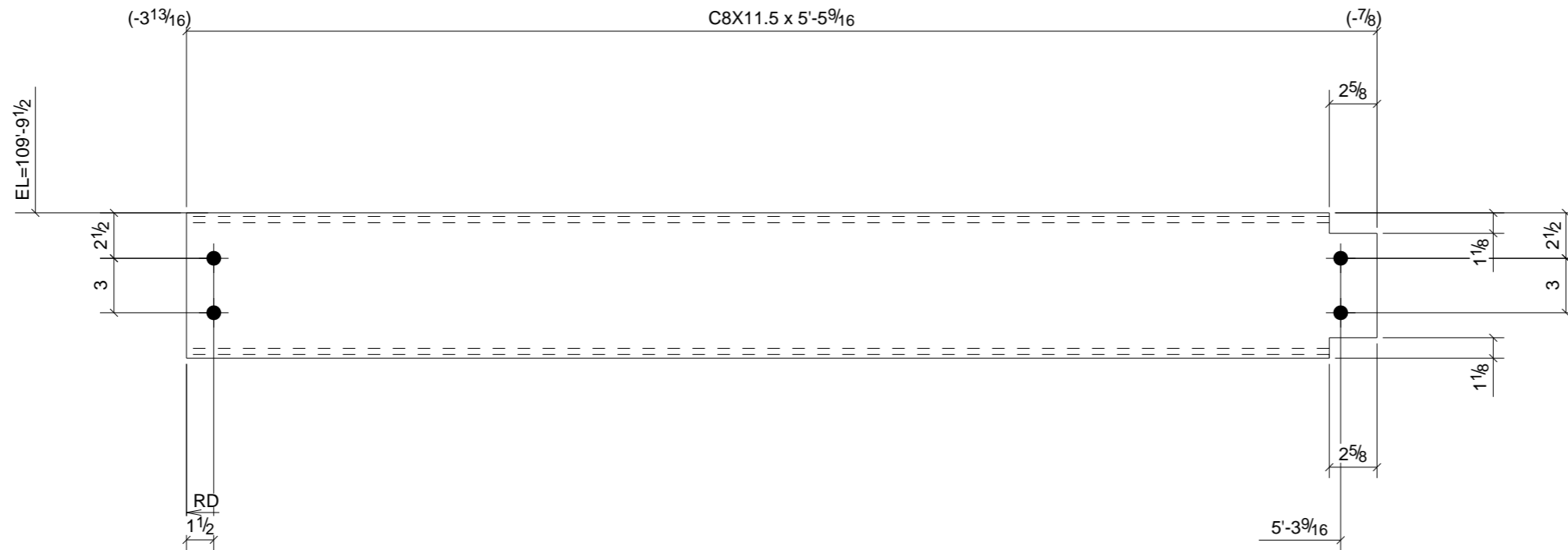
GENERAL NOTES

MATERIAL: A992 / A36	ELECTRODES: E70XX LH	REF. DRG.	JOB USE
HOLES: 13/16 DIA. U/N	CONN'S.: -		SHOP
SURFACE PREP. SSPC-SP-2 AND PAINT: GREY PRIMER DEVOE NA-195 (U.N.)			APPROVAL

DESCRIPTION: CHANNEL	PROJECT NAME: Ross Middle School Addition/Remodel
	LOCATION: Ross Local School District - Hamilton, O
CONTRACTOR: Endeavor	

Avenue Fabricating Inc.
 1281 Clough Pike
 Batavia, OH 45103
 (513) 752-1911

DRAWN BY: TMc	DATE: 05/14/2010
CHKD. BY: TAN	DATE: 07/01/2010
JOB No. 10-11	DRG. No. 15B16
	REV. 2



ONE - BEAM - 15B17

FINISH: GALVANIZED

PHASE				
1	2	3	4	5
1	0	0	0	0

A	For Approval	05/13/10	TMc	
0	For Fabrication F&F	6/24/10	TMc	TH
REV.	DESCRIPTION	DATE	DWN	CHK

GENERAL NOTES

MATERIAL: A992 / A36	ELECTRODES: E70XX LH	REF. DRG.	JOB USE
HOLES: 13/16 DIA. U/N	CONN'S.: -		SHOP
SURFACE PREP. SSPC-SP-2 AND PAINT: GREY PRIMER DEVOE NA-195 (U.N.)			APPROVAL

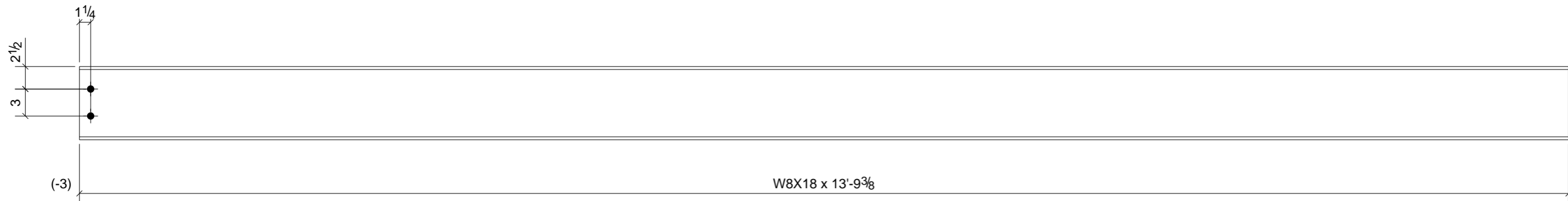
DESCRIPTION:	CHANNEL
PROJECT NAME	Ross Middle School Addition/Remodel
LOCATION	Ross Local School District - Hamilton, O
CONTRACTOR	Endeavor

BILL OF MATERIAL

SHIP	MARK	NO PCS	DESCRIPTION	LENGTH	PIECE MARK	REMARKS
1	15B17	1	C8X11.5	5'-5 9/16"		SQ-2 A36 GALVANIZED

Avenue Fabricating Inc.
 1281 Clough Pike
 Batavia, OH 45103
 (513) 752-1911

DRAWN BY	TMc	DATE	05/14/2010
CHKD. BY	TAN	DATE	07/01/2010
JOB No.	10-11	DRG. No.	15B17
		REV.	2



PHASE				
1	2	3	4	5
1	0	0	0	0

ONE - BEAM - 15B18

FINISH: GALVANIZED

W	8 1/8" x 1/4"
F	5 1/4" x 5/16"

A	For Approval	05/13/10	TMc	
0	For Fabrication F&F	6/24/10	TMc	TH
REV.	DESCRIPTION	DATE	DWN	CHK

GENERAL NOTES

MATERIAL: A992 / A36	ELECTRODES: E70XX LH	REF. DRG.	JOB USE
HOLES: 13/16 DIA. U/N	CONN'S.: -		SHOP
SURFACE PREP. SSPC-SP-2 AND PAINT: GREY PRIMER DEVOE NA-195 (U.N.)			APPROVAL

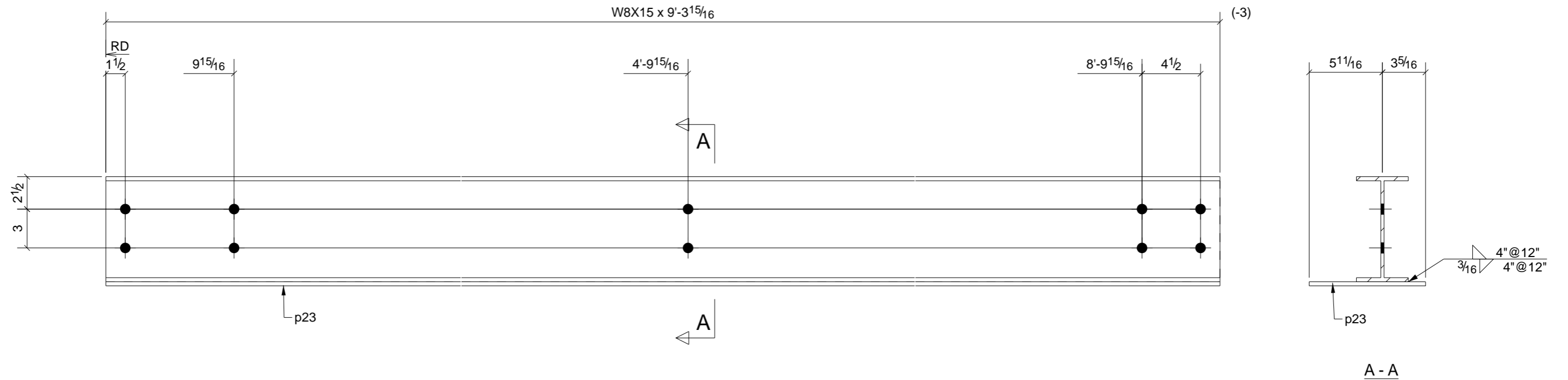
DESCRIPTION:	BEAM
PROJECT NAME	Ross Middle School Addition/Remodel
LOCATION	Ross Local School District - Hamilton, O
CONTRACTOR	Endeavor

BILL OF MATERIAL

SHIP	MARK	NO PCS	DESCRIPTION	LENGTH	PIECE MARK	REMARKS
1	15B18	1	W8X18	13'-9 3/8"		SQ-2 A992 GALVANIZED

Avenue Fabricating Inc.
1281 Clough Pike
Batavia, OH 45103
(513) 752-1911

DRAWN BY	TMc	DATE	05/14/2010
CHKD. BY	TAN	DATE	07/01/2010
JOB No.	10-11	DRG. No.	15B18
		REV.	2



ONE - BEAM - 15B19

PHASE				
1	2	3	4	5
1	0	0	0	0

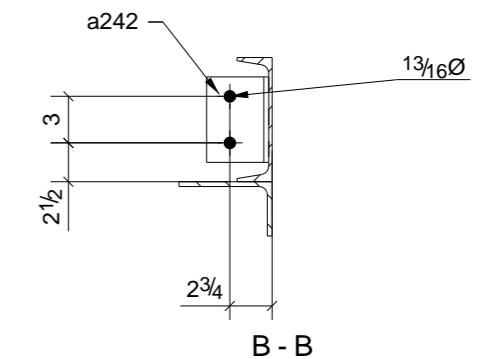
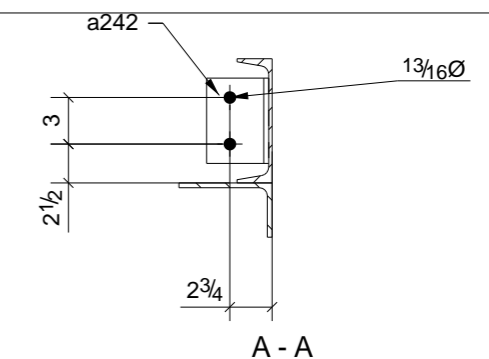
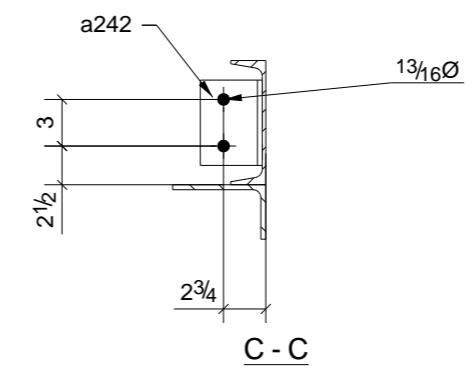
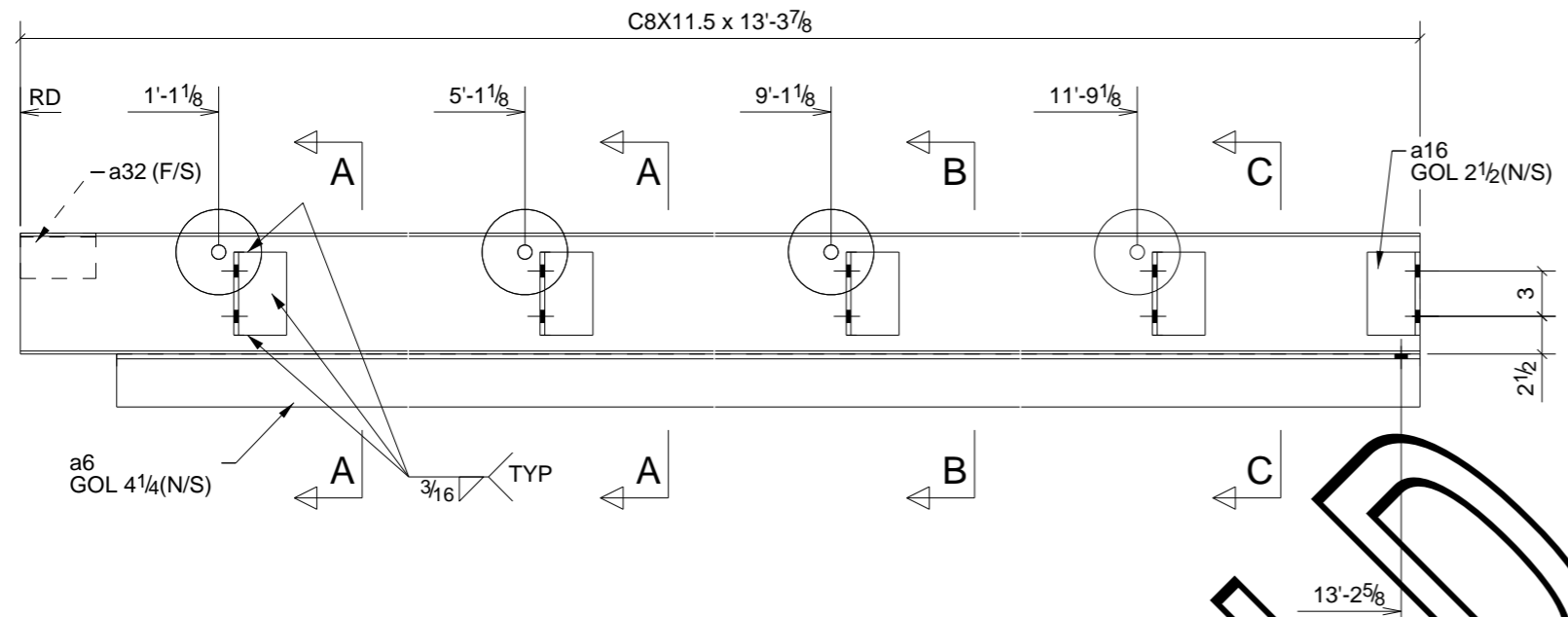
W | 8 1/8" x 1/4"
F | 4" x 5/16"

BILL OF MATERIAL

SHIP	MARK	NO PCS	DESCRIPTION	LENGTH	PIECE MARK	REMARKS
1	15B19	1	W8X15	9'-3 15/16"		SQ-2 A992 GALVANIZED
		1	BAR5/16"X9"	9'-3 15/16"	p23	A36

A	For Approval	05/13/10	TMc	
0	For Fabrication F&F	6/24/10	TMc	TH
REV.	DESCRIPTION	DATE	DWN	CHK
GENERAL NOTES				JOB USE
MATERIAL: A992 / A36		ELECTRODES: E70XX LH	REF. DRG.	
HOLES: 13/16 DIA. U/N		CONN'S.: -	SHOP	
SURFACE PREP. SSPC-SP-2 AND PAINT: GREY PRIMER DEVOE NA-195 (U.N.)			APPROVAL	
DESCRIPTION: CHANNEL				
PROJECT NAME		Ross Middle School Addition/Remodel		
LOCATION		Ross Local School District - Hamilton, O		
CONTRACTOR		Endeavor		
Avenue Fabricating Inc. 1281 Clough Pike Batavia, OH 45103 (513) 752-1911		DRAWN BY		DATE
		TMc		05/14/2010
		CHKD. BY		DATE
		TAN		07/01/2010
JOB No.		DRG. No.	REV.	
10-11		15B19	2	

RFI #	INFORMATION
DATE:	STATUS:
DESC.	



FINISH: GALVANIZED

HOLD

ONE - BEAM - 15B2

PHASE				
1	2	3	4	5
1	0	0	0	0

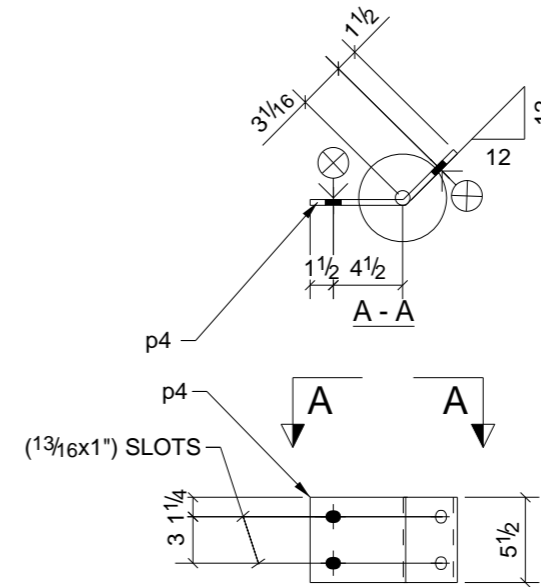
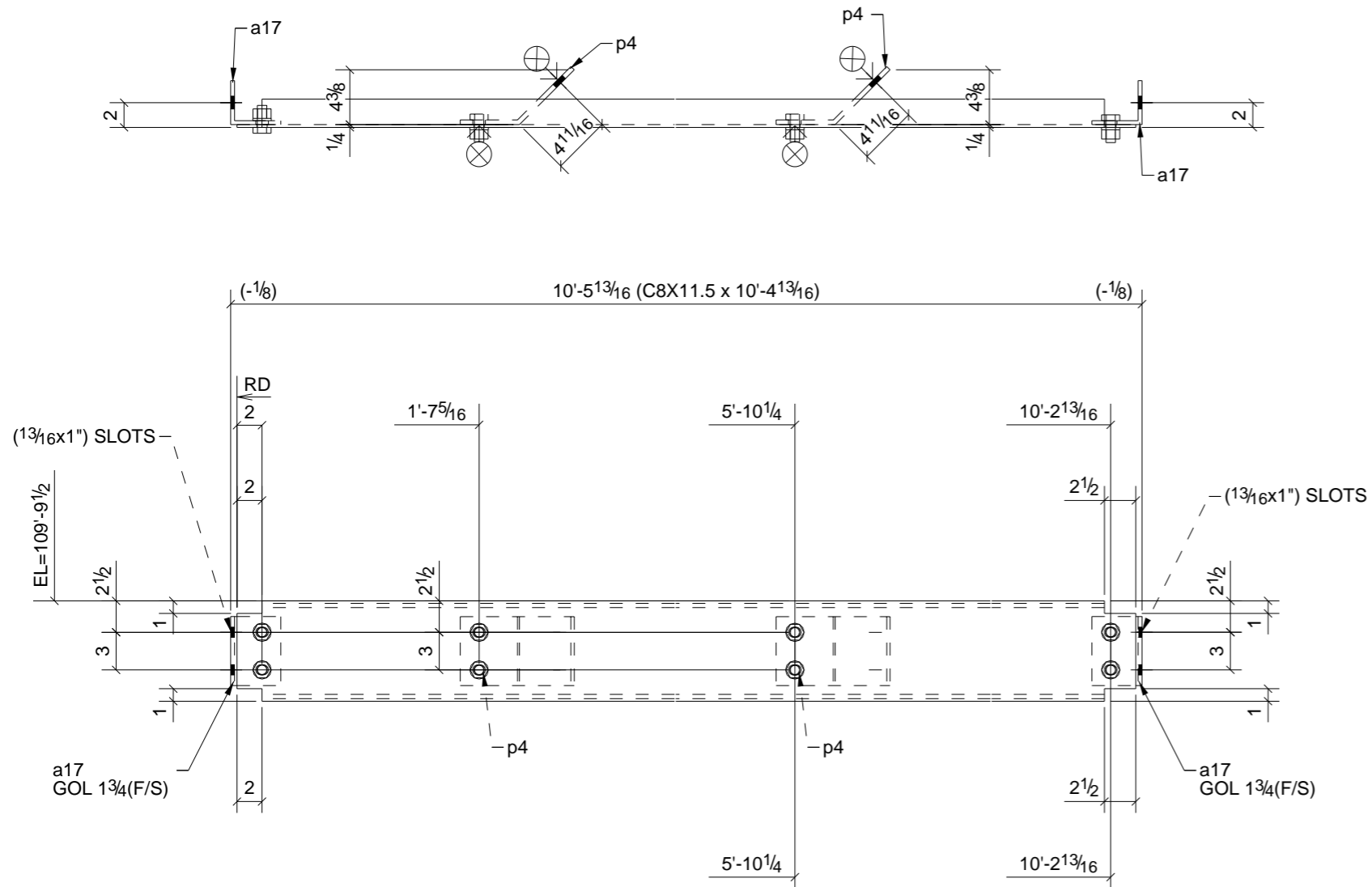
A	For Approval	05/13/10	TMc
REV.	DESCRIPTION	DATE	DWN

GENERAL NOTES MATERIAL: A992 / A36 ELECTRODES: E70XX LH REF. DRG. HOLES: 13/16 DIA. U/N CONN'S.: -		JOB USE
		SHOP
SURFACE PREP. SSPC-SP-2 AND PAINT: GREY PRIMER DEVOE NA-195 (U.N.)		APPROVAL

BILL OF MATERIAL

SHIP	MARK	NO PCS	DESCRIPTION	LENGTH	PIECE MARK	REMARKS
1	15B2	1	C8X11.5	13'-3 7/8"		SQ-2 A36 GALVANIZED
		1	L6X3-1/2X5/16	12'-9 1/2"	a6	A36
		1	L4X3-1/2X5/16	0'-5 1/2"	a16	A36
		1	L3X3X1/4	0'-5"	a32	A36
		4	L4X3-1/2X5/16	0'-5 1/2"	a242	A36

DESCRIPTION:	CHANNEL
PROJECT NAME	Ross Middle School Addition/Remodel
LOCATION	Ross Local School District - Hamilton, O
CONTRACTOR	Endeavor
Avenue Fabricating Inc. 1281 Clough Pike Batavia, OH 45103 (513) 752-1911	
DRAWN BY	TMc
DATE	05/14/2010
CHKD. BY	TAN
DATE	06/24/2010
JOB No.	10-11
DRG. No.	15B2
REV.	1



PHASE				
1	2	3	4	5
1	0	0	0	0

ONE - BEAM - 15B20

FINISH: GALVANIZED

REV.	DESCRIPTION	DATE	DWN	CHK
A	For Approval	05/13/10	TMc	
0	For Fabrication F&F	6/24/10	TMc	TH

GENERAL NOTES

MATERIAL: A992 / A36	ELECTRODES: E70XX LH	REF. DRG.	JOB USE
HOLES: 13/16 DIA. U/N	CONN'S.: -		SHOP
SURFACE PREP. SSPC-SP-2 AND PAINT: GREY PRIMER DEVOE NA-195 (U.N.)			APPROVAL

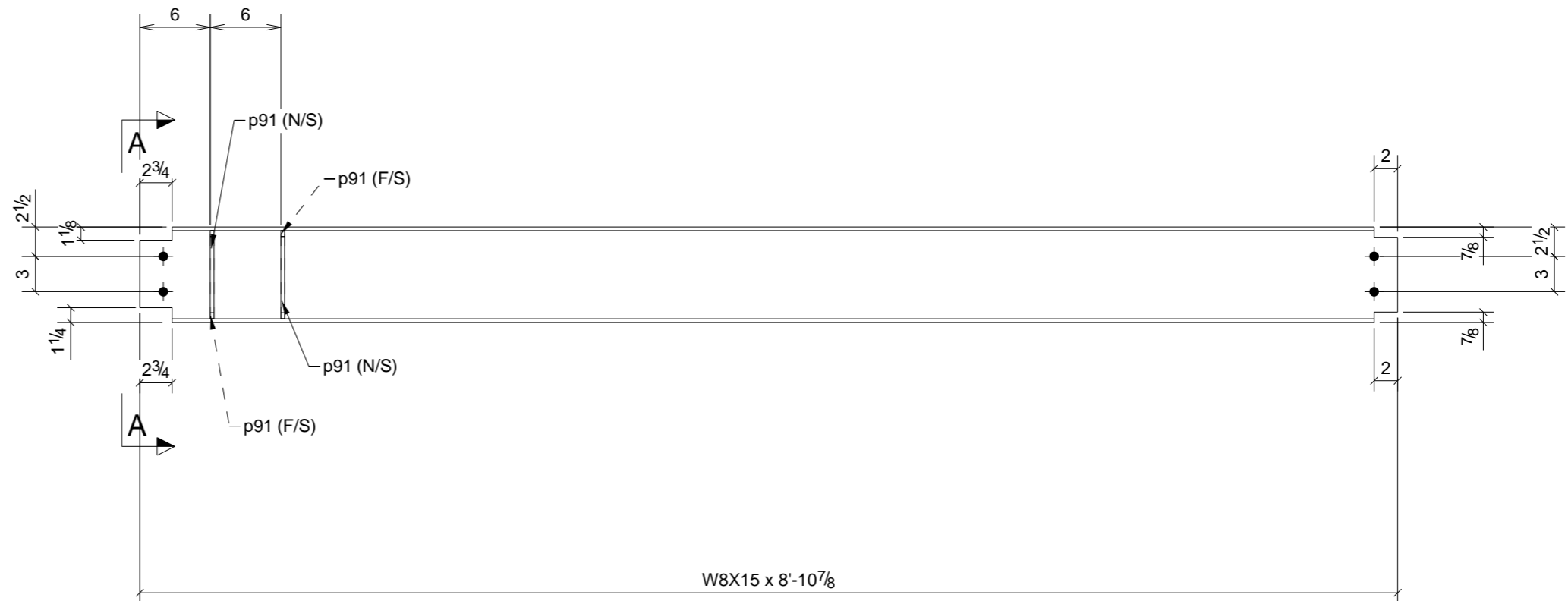
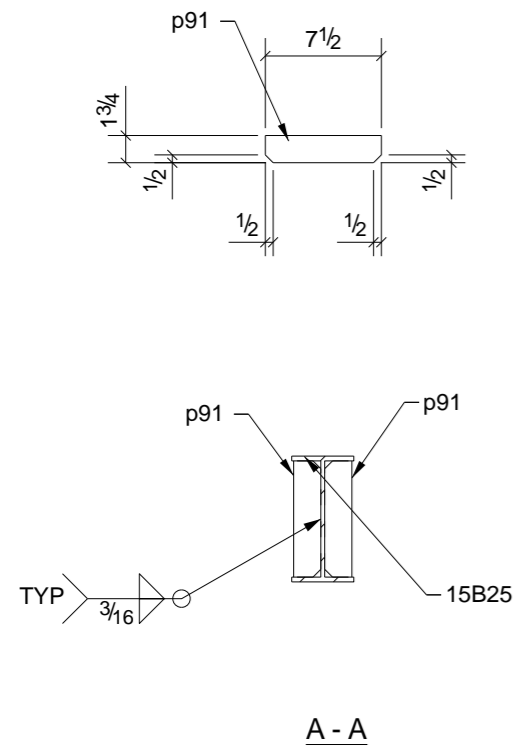
DESCRIPTION:	CHANNEL
PROJECT NAME	Ross Middle School Addition/Remodel
LOCATION	Ross Local School District - Hamilton, O
CONTRACTOR	Endeavor

BILL OF MATERIAL

SHIP	MARK	NO PCS	DESCRIPTION	LENGTH	PIECE MARK	REMARKS
1	15B20	1	C8X11.5	10'-4 13/16"		SQ-2 A36 GALVANIZED
		2	L4X3-1/2X5/16	0'-5 1/2"	a17	A36
		2	BAR3/8"X5 1/2"	0'-10 9/16"	p4	A36
		8	3/4"Ø A325N BOLT	0'-1 3/4"		

Avenue Fabricating Inc.
 1281 Clough Pike
 Batavia, OH 45103
 (513) 752-1911

DRAWN BY	DATE	
TMc	05/14/2010	
CHKD. BY	DATE	
TAN	07/01/2010	
JOB No.	DRG. No.	REV.
10-11	15B20	2



PHASE				
1	2	3	4	5
1	0	0	0	0

ONE - BEAM - 15B25

FINISH: GALVANIZED

W | 8 1/8" x 1/4"
F | 4" x 5/16"

A	For Approval	05/13/10	TMc	
0	For Fabrication F&F	6/24/10	TMc	TH
REV.	DESCRIPTION	DATE	DWN	CHK

GENERAL NOTES

MATERIAL: A992 / A36	ELECTRODES: E70XX LH	REF. DRG.	JOB USE
HOLES: 13/16 DIA. U/N	CONN'S.: -		SHOP
SURFACE PREP. SSPC-SP-2 AND PAINT: GREY PRIMER DEVOE NA-195 (U.N.)			APPROVAL

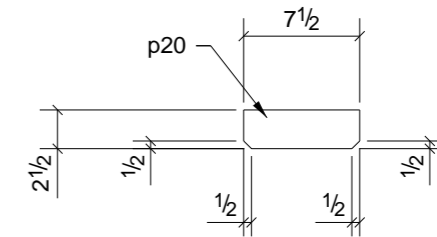
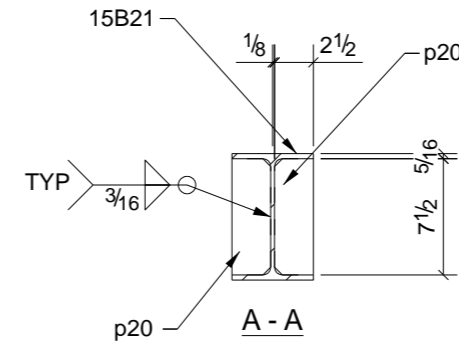
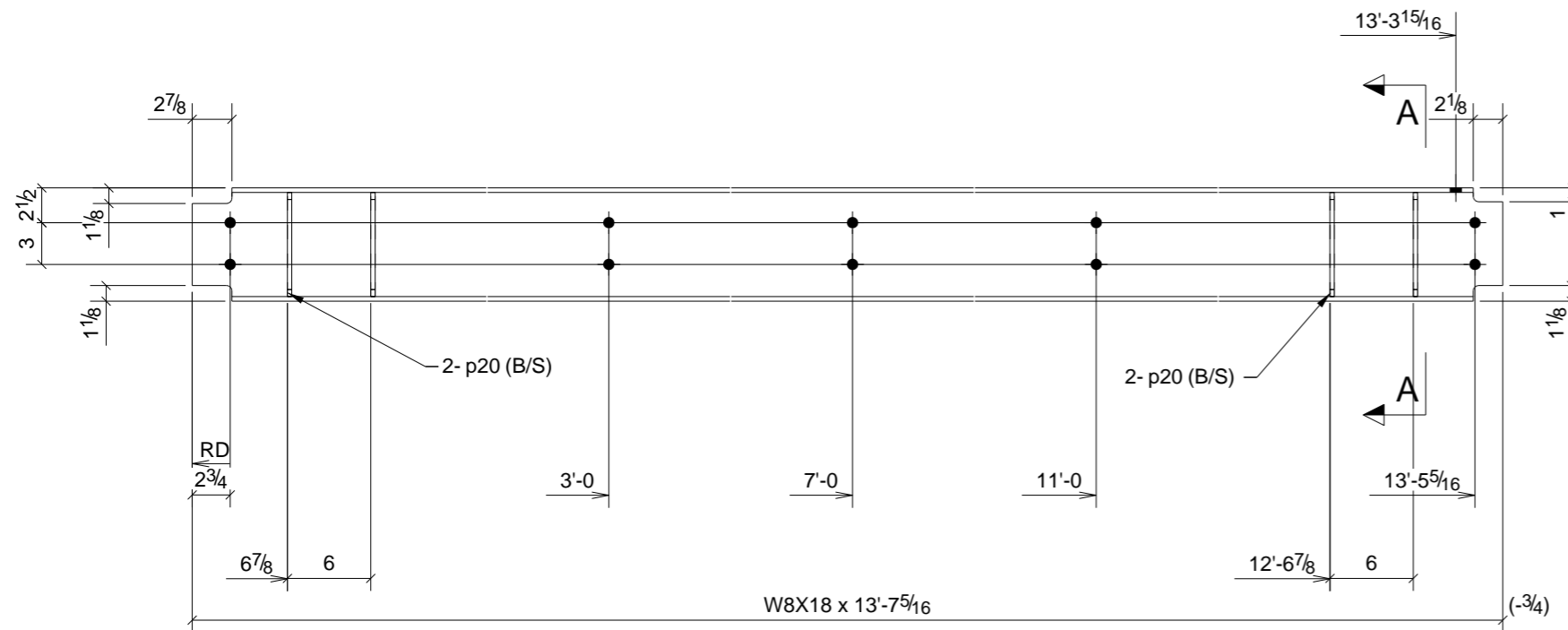
DESCRIPTION:	BEAM
PROJECT NAME	Ross Middle School Addition/Remodel
LOCATION	Ross Local School District - Hamilton, O
CONTRACTOR	Endeavor

BILL OF MATERIAL

SHIP	MARK	NO PCS	DESCRIPTION	LENGTH	PIECE MARK	REMARKS
1	15B25	1	W8X15	8'-10 7/8"		SQ-2 A992 GALVANIZED
		4	BAR5/16"X1 3/4"	0'-7 1/2"	p91	A36

Avenue Fabricating Inc.
1281 Clough Pike
Batavia, OH 45103
(513) 752-1911

DRAWN BY TMc	DATE 05/14/2010
CHKD. BY TAN	DATE 07/01/2010
JOB No. 10-11	DRG. No. 15B25
	REV. 2



PHASE				
1	2	3	4	5
1	0	0	0	0

ONE - BEAM - 15B21

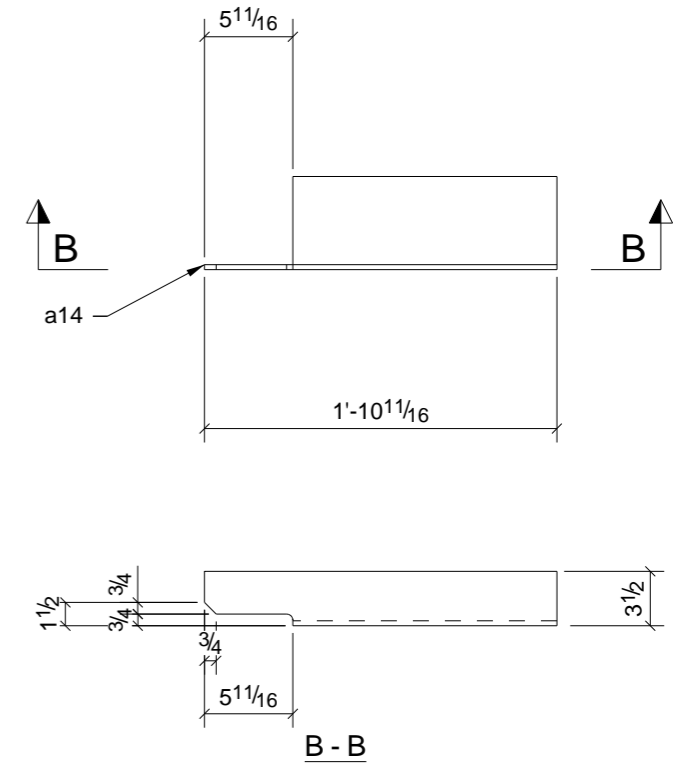
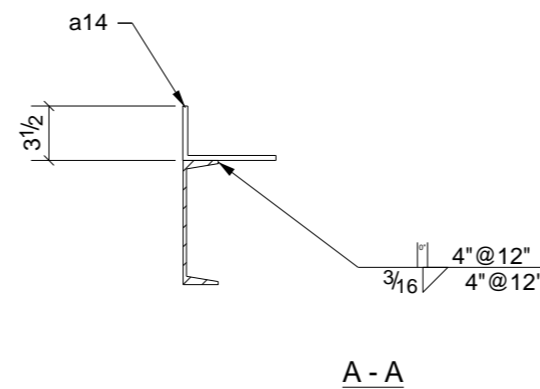
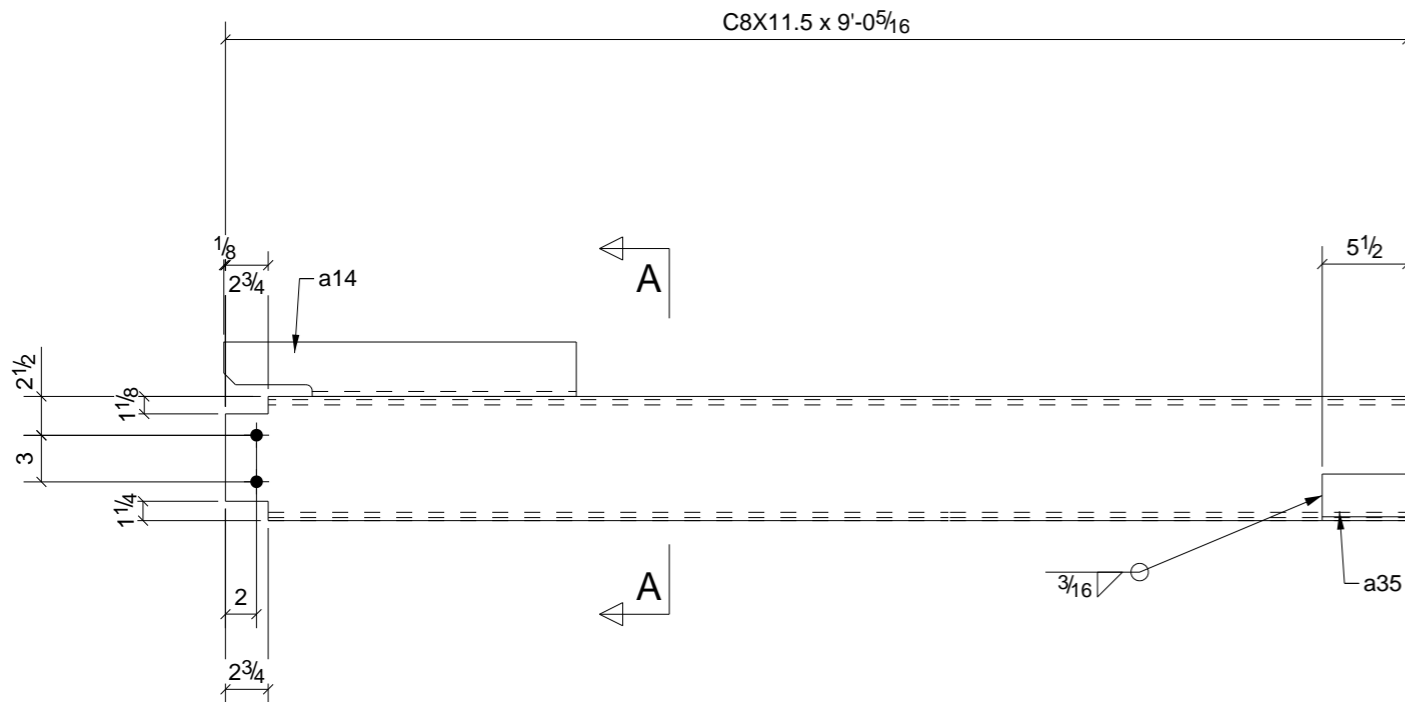
FINISH: GALVANIZED

W	8 1/8"x1/4"
F	5 1/4"x5/16"

BILL OF MATERIAL

SHIP	MARK	NO PCS	DESCRIPTION	LENGTH	PIECE MARK	REMARKS
1	15B21	1	W8X18	13'-7 5/16"		SQ-2 A992 GALVANIZED
		8	BAR5/16"X2 1/2"	0'-7 1/2"	p20	A36

A	For Approval	05/13/10	TMc	
0	For Fabrication F&F	6/24/10	TMc	TH
REV.	DESCRIPTION	DATE	DWN	CHK
GENERAL NOTES				JOB USE
MATERIAL: A992 / A36		ELECTRODES: E70XX LH	REF. DRG.	
HOLES: 13/16 DIA. U/N		CONN'S.: -	SHOP	
SURFACE PREP. SSPC-SP-2 AND PAINT: GREY PRIMER DEVOE NA-195 (U.N.)			APPROVAL	
DESCRIPTION: BEAM				
PROJECT NAME: Ross Middle School Addition/Remodel				
LOCATION: Ross Local School District - Hamilton, O				
CONTRACTOR: Endeavor				
Avenue Fabricating Inc. 1281 Clough Pike Batavia, OH 45103 (513) 752-1911		DRAWN BY: TMc		DATE: 05/14/2010
		CHKD. BY: TAN		DATE: 07/01/2010
		JOB No. 10-11	DRG. No. 15B21	REV. 2



PHASE				
1	2	3	4	5
1	0	0	0	0

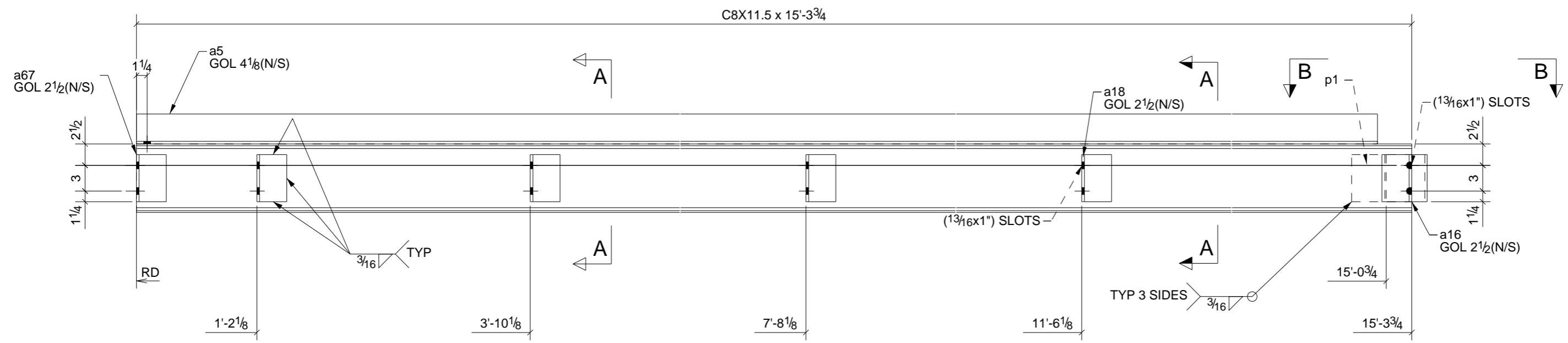
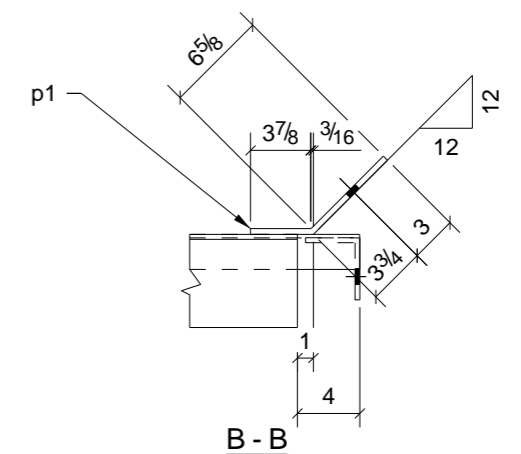
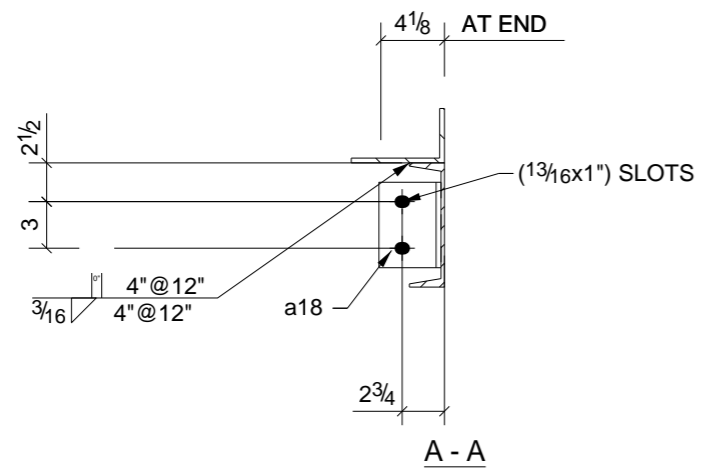
ONE - BEAM - 15B22

FINISH: GALVANIZED

BILL OF MATERIAL

SHIP	MARK	NO PCS	DESCRIPTION	LENGTH	PIECE MARK	REMARKS
1	15B22	1	C8X11.5	9'-0 5/16"		SQ-2 A36 GALVANIZED
		1	L6X3-1/2X5/16	1'-10 11/16"	a14	A36
		1	L3X3X1/4	0'-5 1/2"	a35	A36

A	For Approval	05/13/10	TMc	
0	For Fabrication F&F	6/24/10	TMc	TH
REV.	DESCRIPTION	DATE	DWN	CHK
GENERAL NOTES				JOB USE
MATERIAL: A992 / A36		ELECTRODES: E70XX LH	REF. DRG.	
HOLES: 13/16 DIA. U/N		CONN'S.: -	SHOP	
SURFACE PREP: SSPC-SP-2 AND PAINT: GREY PRIMER DEVOE NA-195 (U.N.)			APPROVAL	
DESCRIPTION: CHANNEL				
PROJECT NAME: Ross Middle School Addition/Remodel				
LOCATION: Ross Local School District - Hamilton, O				
CONTRACTOR: Endeavor				
Avenue Fabricating Inc. 1281 Clough Pike Batavia, OH 45103 (513) 752-1911		DRAWN BY: TMc		DATE: 05/14/2010
		CHKD. BY: TAN		DATE: 07/01/2010
		JOB No. 10-11	DRG. No. 15B22	REV. 2



ONE - BEAM - 15B26

PHASE				
1	2	3	4	5
1	0	0	0	0

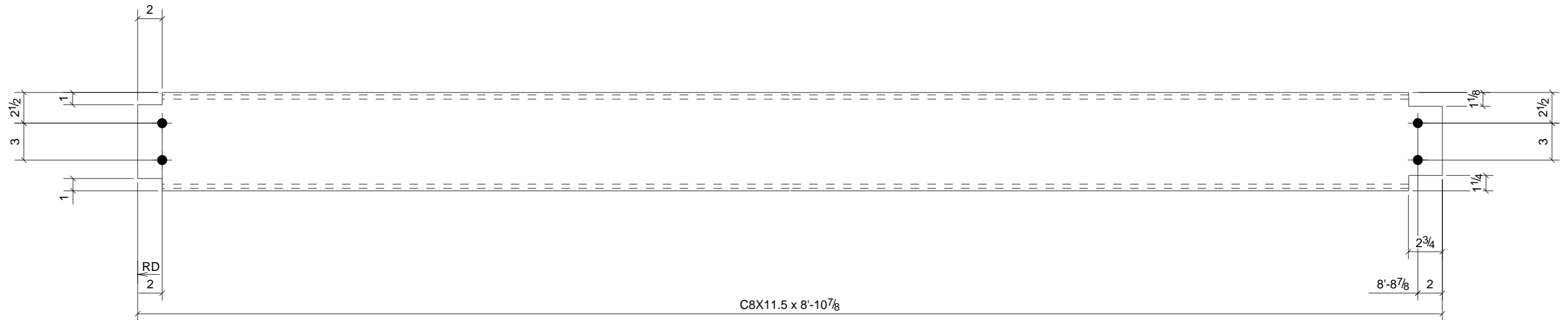
A	For Approval	05/13/10	TMc	
0	For Fabrication F&F	6/24/10	TMc	TH
REV.	DESCRIPTION	DATE	DWN	CHK

GENERAL NOTES			JOB USE	
MATERIAL: A992 / A36	ELECTRODES: E70XX LH	REF. DRG.	SHOP	
HOLES: 13/16 DIA. U/N	CONN'S.: -		APPROVAL	
SURFACE PREP. SSPC-SP-2 AND PAINT: GREY PRIMER DEVOE NA-195 (U.N.)				

BILL OF MATERIAL

SHIP	MARK	NO PCS	DESCRIPTION	LENGTH	PIECE MARK	REMARKS
1	15B26	1	C8X11.5	15'-3 3/4"		SQ-2 A36 GALVANIZED
		1	L6X3-1/2X5/16	14'-11 3/4"	a5	A36
		1	L4X3-1/2X5/16	0'-5 1/2"	a16	A36
		4	L4X3-1/2X5/16	0'-5 1/2"	a18	A36
		1	L4X3-1/2X5/16	0'-5 1/2"	a67	A36
		1	BAR3/8"X5 1/2"	0'-10 1/2"	p1	A36

DESCRIPTION: CHANNEL		PROJECT NAME: Ross Middle School Addition/Remodel	
CONTRACTOR: Endeavor		LOCATION: Ross Local School District - Hamilton, O	
<p style="text-align: center;">Avenue Fabricating Inc. 1281 Clough Pike Batavia, OH 45103 (513) 752-1911</p>		DRAWN BY: TMc	DATE: 05/14/2010
		CHKD. BY: TAN	DATE: 07/01/2010
		JOB No. 10-11	DRG. No. 15B26



PHASE				
1	2	3	4	5
2	0	0	0	0

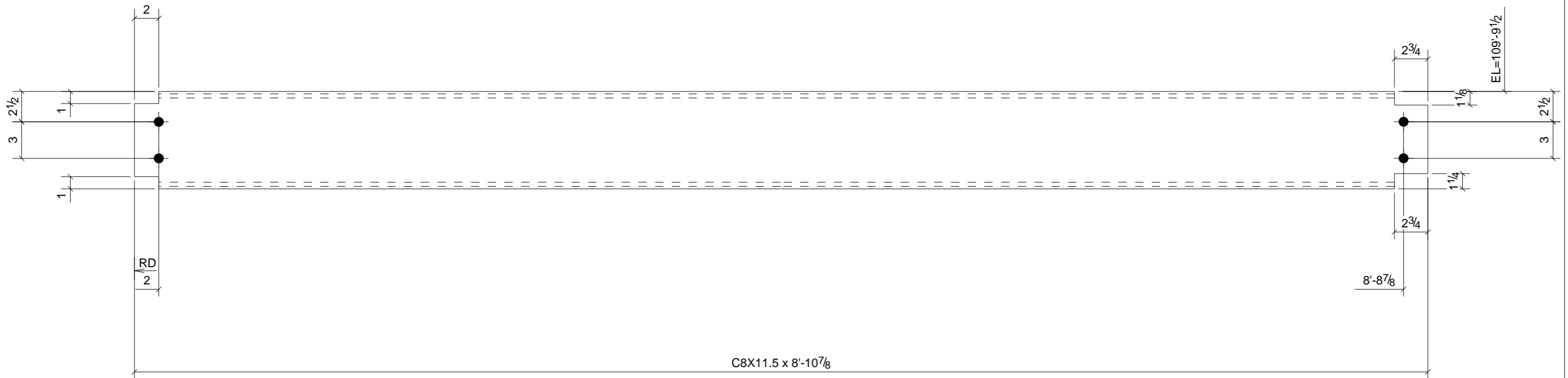
2 - BEAMS - 15B23

FINISH: GALVANIZED

BILL OF MATERIAL

SHIP	MARK	NO PCS	DESCRIPTION	LENGTH	PIECE MARK	REMARKS
2	15B23	2	C8X11.5	8'-10 7/8"		SQ-2 A36 GALVANIZED

A	For Approval	05/13/10	TMc	
0	For Fabrication F&F	6/24/10	TMc	TH
REV.	DESCRIPTION	DATE	DWN	CHK
GENERAL NOTES			JOB USE	
MATERIAL: A992 / A36		ELECTRODES: E70XX LH	REF. DRG.	
HOLES: 13/16 DIA. U/N		CONN'S.: -	SHOP	
SURFACE PREP. SSPC-SP-2			APPROVAL	
AND PAINT: GREY PRIMER DEVOE NA-195 (U.N.)				
DESCRIPTION: CHANNEL				
PROJECT NAME		Ross Middle School Addition/Remodel		
LOCATION		Ross Local School District - Hamilton, O		
CONTRACTOR		Endeavor		
Avenue Fabricating Inc. 1281 Clough Pike Batavia, OH 45103 (513) 752-1911		DRAWN BY		DATE
		TMc		05/14/2010
		CHKD. BY		DATE
TAN		07/01/2010		
JOB No.		DRG. No.	REV.	
10-11		15B23	2	



PHASE				
1	2	3	4	5
1	0	0	0	0

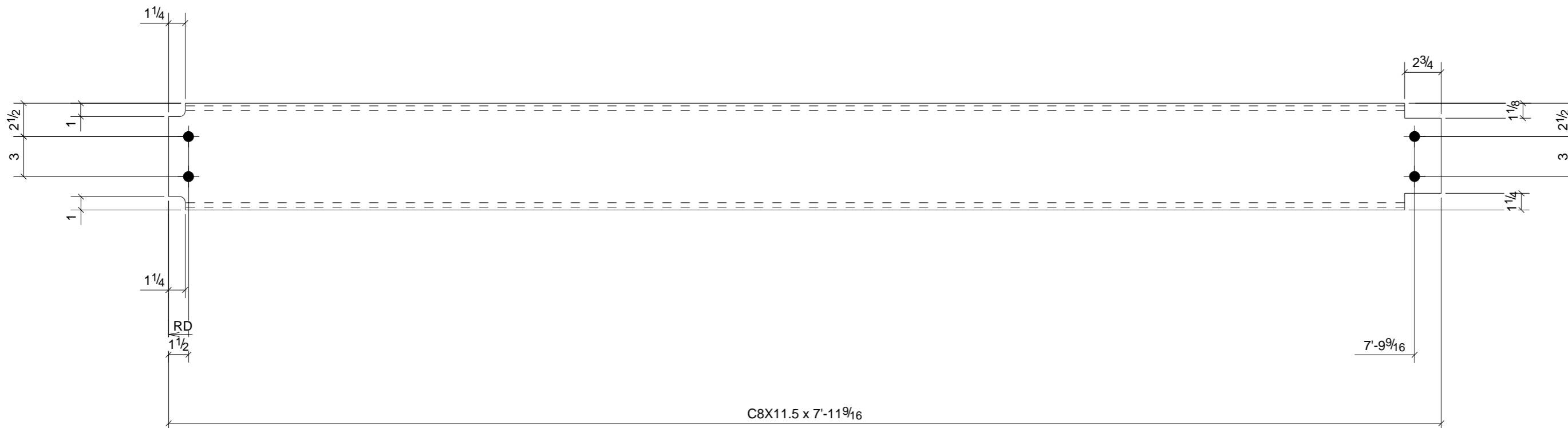
ONE - BEAM - 15B24

FINISH: GALVANIZED

BILL OF MATERIAL

SHIP	MARK	NO PCS	DESCRIPTION	LENGTH	PIECE MARK	REMARKS
1	15B24	1	C8X11.5	8'-10 7/8"		SQ-2 A36 GALVANIZED

A	For Approval	05/13/10	TMc	
0	For Fabrication F&F	6/24/10	TMc	TH
REV.	DESCRIPTION	DATE	DWN	CHK
GENERAL NOTES			JOB USE	
MATERIAL: A992 / A36		ELECTRODES: E70XX LH	REF. DRG.	
HOLES: 13/16 DIA. U/N		CONN'S.: -	SHOP	
SURFACE PREP. SSPC-SP-2			APPROVAL	
AND PAINT: GREY PRIMER DEVOE NA-195 (U.N.)				
DESCRIPTION: CHANNEL				
PROJECT NAME		Ross Middle School Addition/Remodel		
LOCATION		Ross Local School District - Hamilton, O		
CONTRACTOR		Endeavor		
Avenue Fabricating Inc. 1281 Clough Pike Batavia, OH 45103 (513) 752-1911		DRAWN BY		DATE
		TMc		05/14/2010
		CHKD. BY		DATE
TAN		07/01/2010		
JOB No.		DRG. No.	REV.	
10-11		15B24	2	



ONE - BEAM - 15B27

FINISH: GALVANIZED

PHASE				
1	2	3	4	5
1	0	0	0	0

BILL OF MATERIAL

SHIP	MARK	NO PCS	DESCRIPTION	LENGTH	PIECE MARK	REMARKS
1	15B27	1	C8X11.5	7'-11 9/16"		SQ-2 A36 GALVANIZED

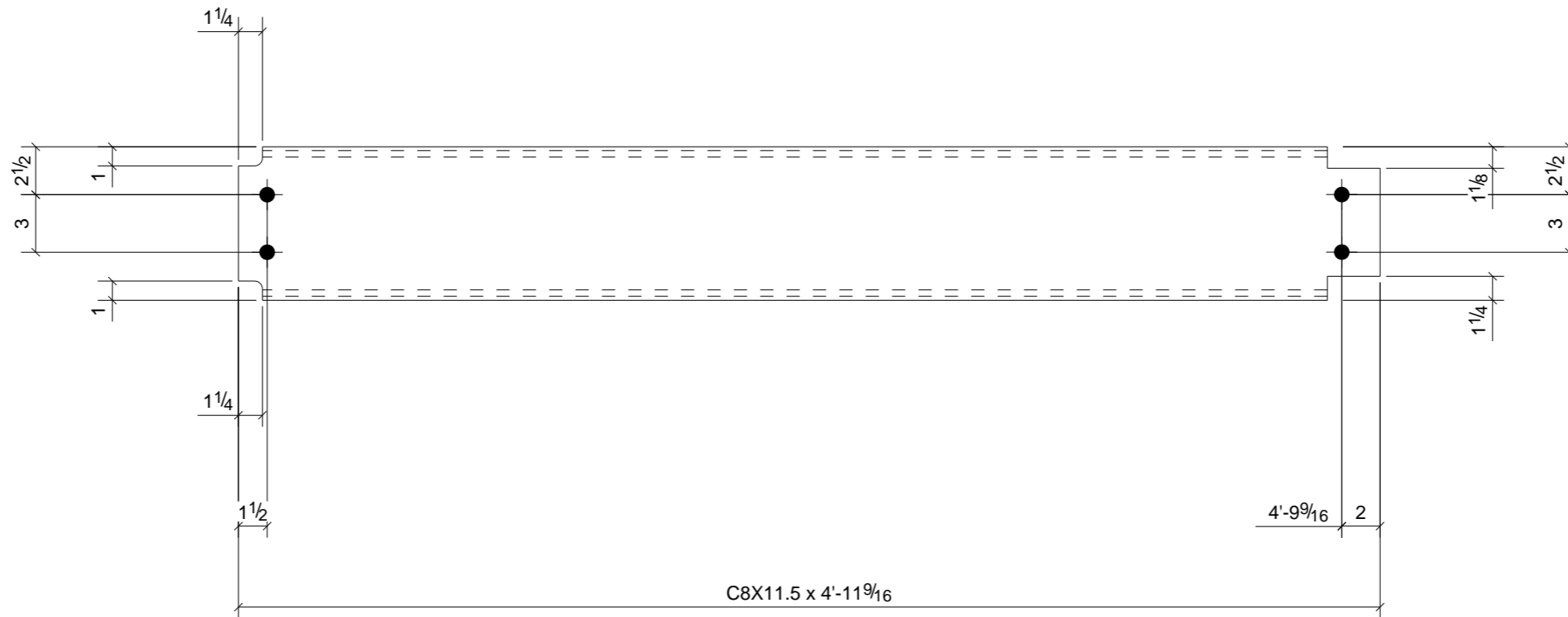
A	For Approval	05/13/10	TMc	
0	For Fabrication F&F	6/24/10	TMc	TH
REV.	DESCRIPTION	DATE	DWN	CHK

GENERAL NOTES

MATERIAL: A992 / A36		ELECTRODES: E70XX LH	REF. DRG.	JOB USE
HOLES: 13/16 DIA. U/N		CONN'S.: -		SHOP
SURFACE PREP: SSPC-SP-2		AND PAINT: GREY PRIMER DEVOE NA-195 (U.N.)		APPROVAL
DESCRIPTION: CHANNEL				
PROJECT NAME		Ross Middle School Addition/Remodel		
LOCATION		Ross Local School District - Hamilton, O		
CONTRACTOR		Endeavor		

Avenue Fabricating Inc.
 1281 Clough Pike
 Batavia, OH 45103
 (513) 752-1911

DRAWN BY	DATE	
TMc	05/14/2010	
CHKD. BY	DATE	
TAN	07/01/2010	
JOB No.	DRG. No.	REV.
10-11	15B27	2



PHASE				
1	2	3	4	5
1	0	0	0	0

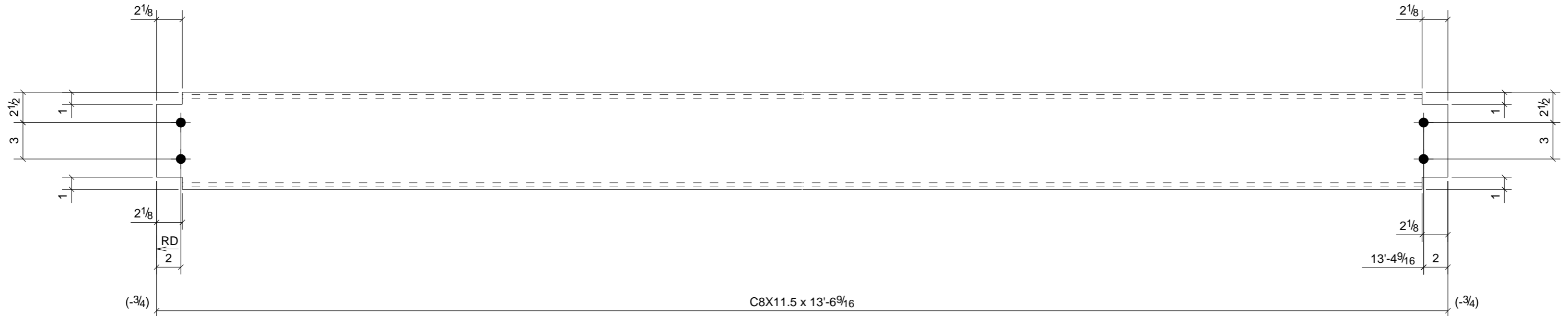
ONE - BEAM - 15B28

FINISH: GALVANIZED

BILL OF MATERIAL

SHIP	MARK	NO PCS	DESCRIPTION	LENGTH	PIECE MARK	REMARKS
1	15B28	1	C8X11.5	4'-11 9/16"		SQ-2 A36 GALVANIZED

A	For Approval	05/13/10	TMc	
0	For Fabrication F&F	6/24/10	TMc	TH
REV.	DESCRIPTION	DATE	DWN	CHK
GENERAL NOTES				JOB USE
MATERIAL: A992 / A36		ELECTRODES: E70XX LH	REF. DRG.	
HOLES: 13/16 DIA. U/N		CONN'S.: -	SHOP	
SURFACE PREP. SSPC-SP-2			APPROVAL	
AND PAINT: GREY PRIMER DEVOE NA-195 (U.N.)				
DESCRIPTION: CHANNEL				
PROJECT NAME	Ross Middle School Addition/Remodel			
LOCATION	Ross Local School District - Hamilton, O			
CONTRACTOR	Endeavor			
Avenue Fabricating Inc. 1281 Clough Pike Batavia, OH 45103 (513) 752-1911		DRAWN BY	DATE	
		TMc	05/14/2010	
		CHKD. BY	DATE	
TAN	07/01/2010			
JOB No.	DRG. No.	REV.		
10-11	15B28	2		



C8X11.5 x 13'-6⁹/₁₆

PHASE				
1	2	3	4	5
1	0	0	0	0

ONE - BEAM - 15B29

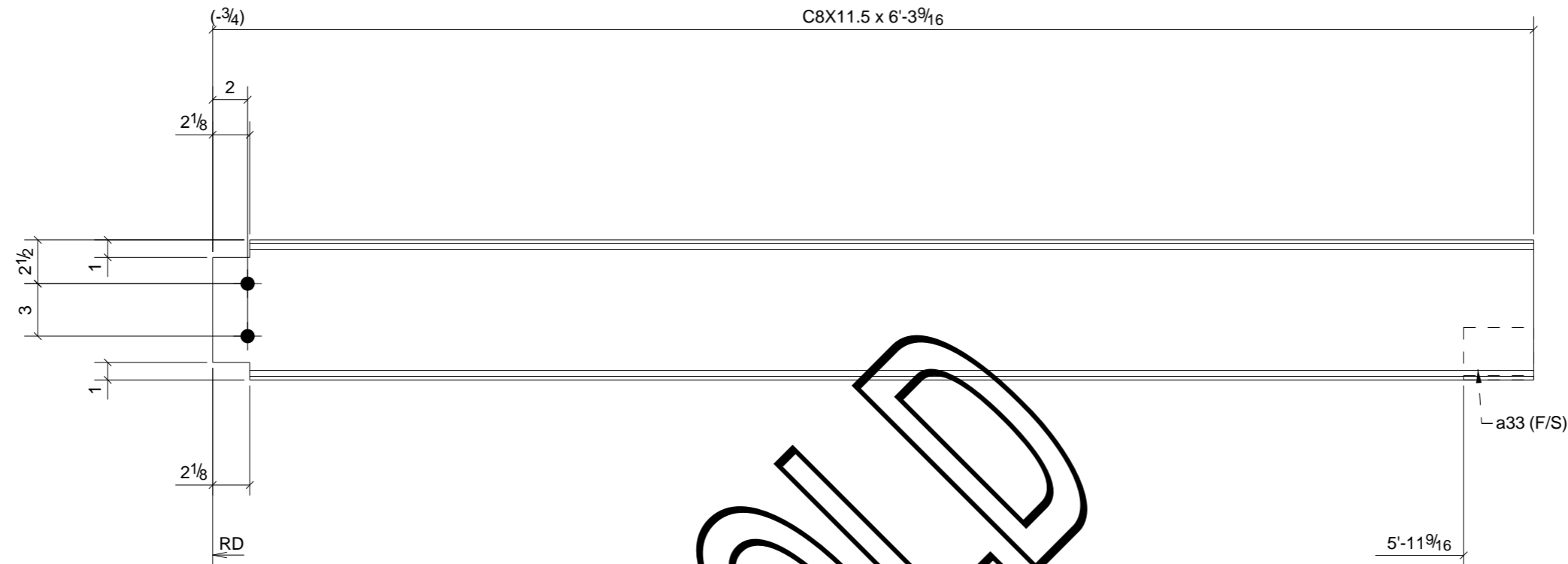
FINISH: GALVANIZED

BILL OF MATERIAL

SHIP	MARK	NO PCS	DESCRIPTION	LENGTH	PIECE MARK	REMARKS
1	15B29	1	C8X11.5	13'-6 9/16"		SQ-2 A36 GALVANIZED

A	For Approval	05/13/10	TMc	
0	For Fabrication F&F	6/24/10	TMc	TH
REV.	DESCRIPTION	DATE	DWN	CHK
GENERAL NOTES				JOB USE
MATERIAL: A992 / A36		ELECTRODES: E70XX LH	REF. DRG.	
HOLES: 13/16 DIA. U/N		CONN'S.: -	SHOP	
SURFACE PREP. SSPC-SP-2			APPROVAL	
AND PAINT: GREY PRIMER DEVOE NA-195 (U.N.)				
DESCRIPTION: CHANNEL				
PROJECT NAME		Ross Middle School Addition/Remodel		
LOCATION		Ross Local School District - Hamilton, O		
CONTRACTOR		Endeavor		
Avenue Fabricating Inc. 1281 Clough Pike Batavia, OH 45103 (513) 752-1911		DRAWN BY		DATE
		TMc		05/14/2010
		CHKD. BY		DATE
		TAN		07/01/2010
JOB No.		DRG. No.	REV.	
10-11		15B29	2	

RFI #	INFORMATION
DATE:	STATUS:
DESC.	



FINISH GALVANIZED

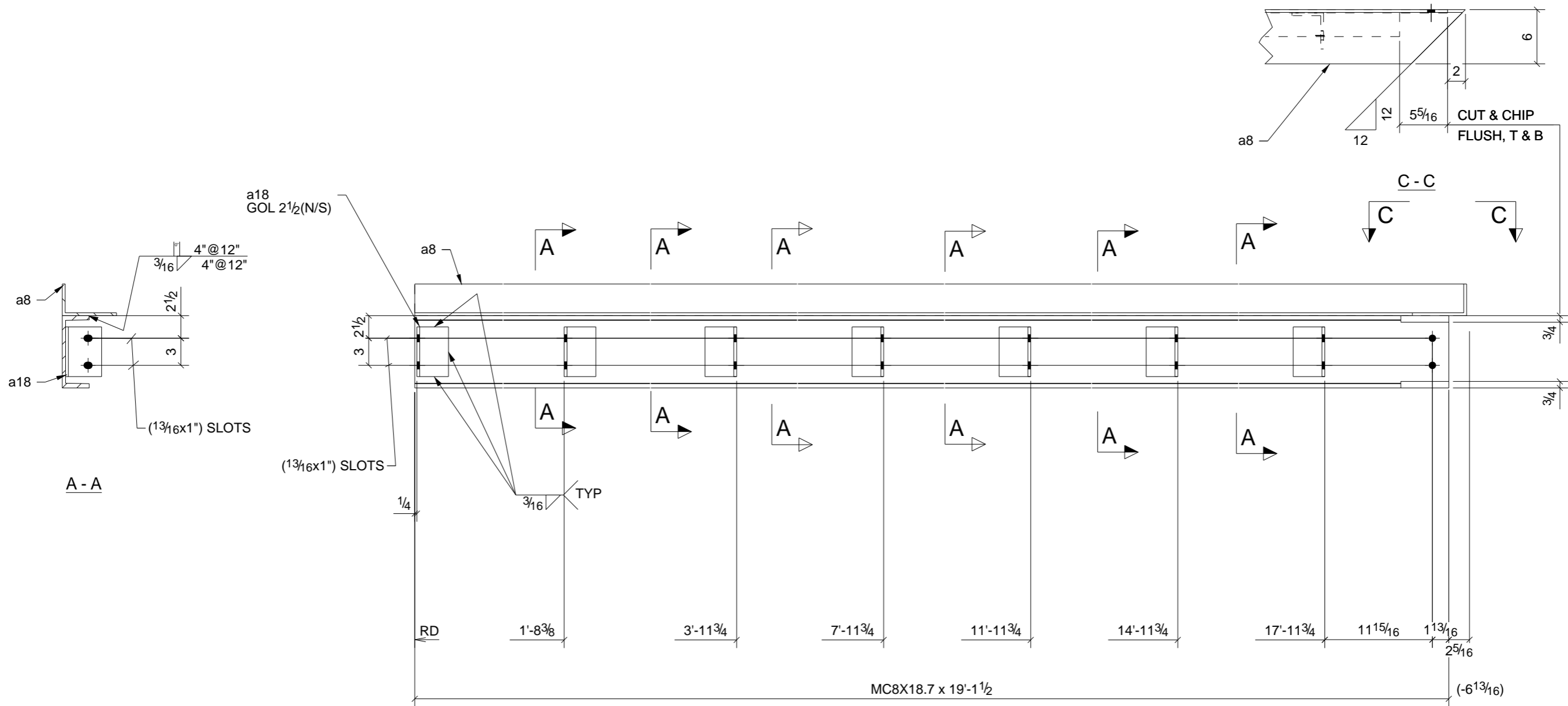
2 - BEAMS - 15B3

PHASE				
1	2	3	4	5
2	0	0	0	0

A	For Approval	05/13/10	TMc	
REV.	DESCRIPTION	DATE	DWN	CHK
GENERAL NOTES			JOB USE	
MATERIAL: A992 / A36	ELECTRODES: E70XX LH	REF. DRG.		SHOP
HOLES: 13/16 DIA. U/N	CONN'S.: -			APPROVAL
SURFACE PREP. SSPC-SP-2 AND PAINT: GREY PRIMER DEVOE NA-195 (U.N.)				
DESCRIPTION: CHANNEL				
PROJECT NAME Ross Middle School Addition/Remodel LOCATION Ross Local School District - Hamilton, O				
CONTRACTOR Endeavor				
Avenue Fabricating Inc. 1281 Clough Pike Batavia, OH 45103 (513) 752-1911			DRAWN BY TMc	
			DATE 05/14/2010	
			CHKD. BY TAN	
		DATE 06/24/2010		
JOB No. 10-11		DRG. No. 15B3		REV. 1

BILL OF MATERIAL

SHIP	MARK	NO PCS	DESCRIPTION	LENGTH	PIECE MARK	REMARKS
2	15B3	2	C8X11.5	6'-3 9/16"		SQ-2 A36 GALVANIZED
		2	L3X3X1/4	0'-4"	a33	A36



ONE - BEAM - 15B30

FINISH: GALVANIZED

PHASE				
1	2	3	4	5
1	0	0	0	0

BILL OF MATERIAL

SHIP	MARK	NO PCS	DESCRIPTION	LENGTH	PIECE MARK	REMARKS
1	15B30	1	MC8X18.7	19'-1 1/2"		SQ-2 A36 GALVANIZED
		1	L6X3-1/2X5/16	19'-3 1/2"	a8	A36
		7	L4X3-1/2X5/16	0'-5 1/2"	a18	A36

A	For Approval	05/13/10	TMc	
0	For Fabrication F&F	6/24/10	TMc	TH
REV.	DESCRIPTION	DATE	DWN	CHK

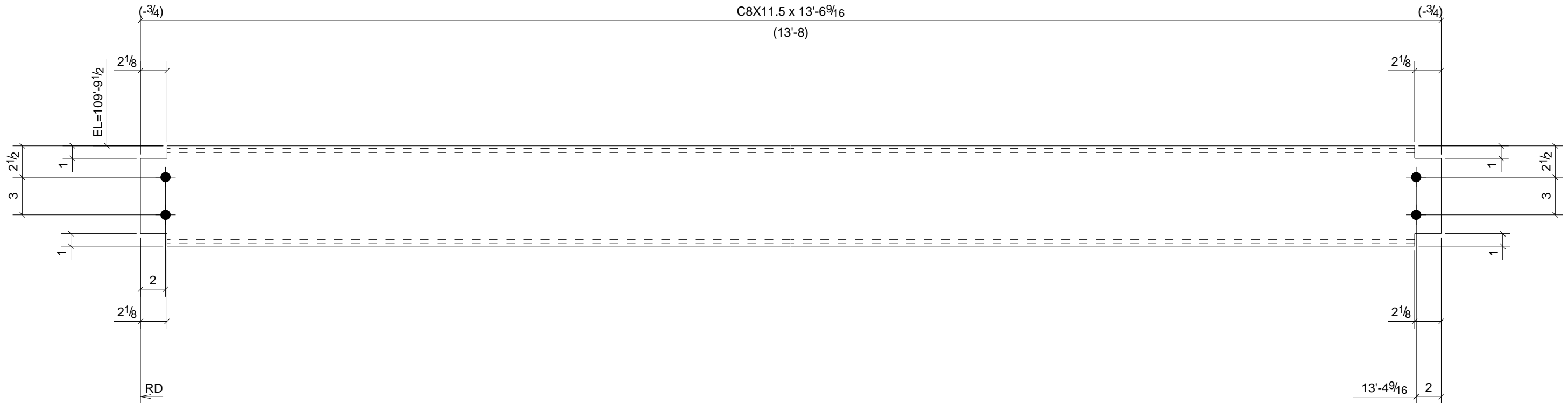
GENERAL NOTES

MATERIAL: A992 / A36	ELECTRODES: E70XX LH	REF. DRG.	JOB USE
HOLES: 13/16 DIA. U/N	CONN'S.: -		SHOP
SURFACE PREP. SSPC-SP-2 AND PAINT: GREY PRIMER DEVOE NA-195 (U.N.)			APPROVAL

DESCRIPTION:	CHANNEL
PROJECT NAME	Ross Middle School Addition/Remodel
LOCATION	Ross Local School District - Hamilton, O
CONTRACTOR	Endeavor

Avenue Fabricating Inc.
 1281 Clough Pike
 Batavia, OH 45103
 (513) 752-1911

DRAWN BY	TMc	DATE	05/14/2010
CHKD. BY	TAN	DATE	07/01/2010
JOB No.	10-11	DRG. No.	15B30
		REV.	2



PHASE				
1	2	3	4	5
19	0	0	0	0

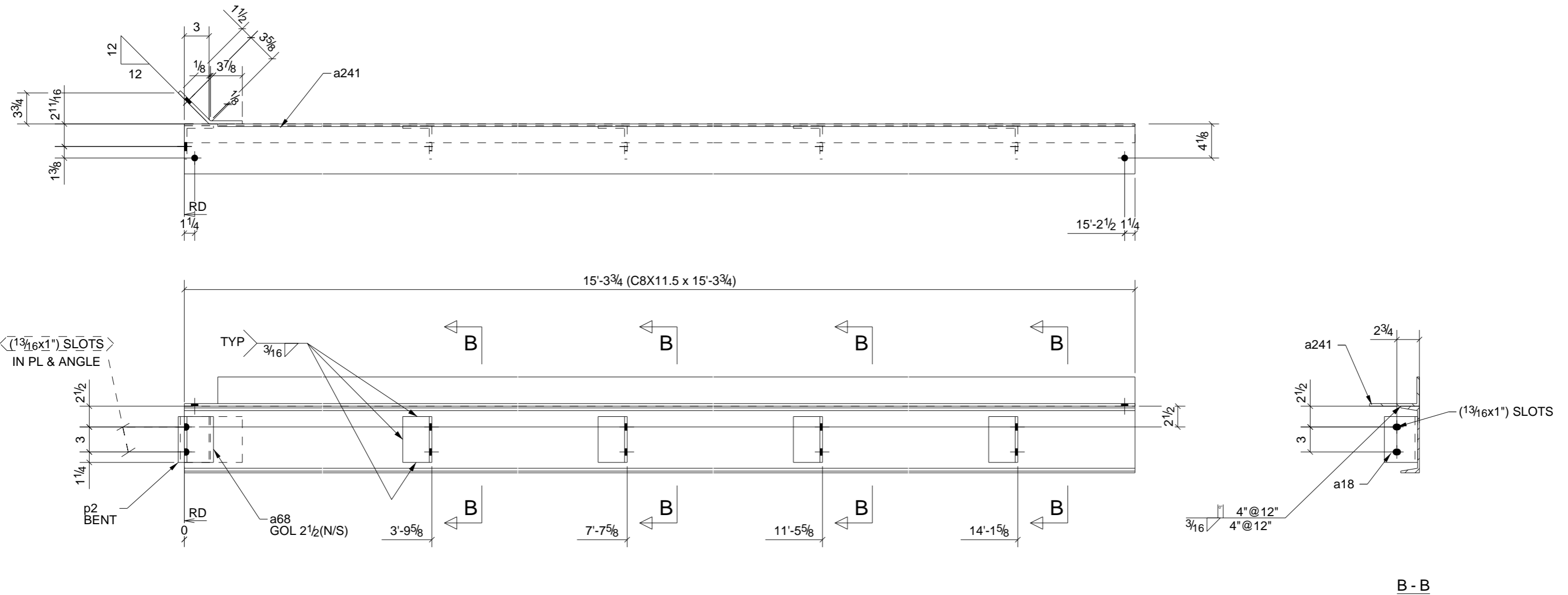
19 - BEAMS - 15B31

FINISH: GALVANIZED

BILL OF MATERIAL

SHIP	MARK	NO PCS	DESCRIPTION	LENGTH	PIECE MARK	REMARKS
19	15B31	19	C8X11.5	13'-6 9/16"		SQ-2 A36 GALVANIZED

A	For Approval	05/13/10	TMc	
0	For Fabrication F&F	6/24/10	TMc	TH
REV.	DESCRIPTION	DATE	DWN	CHK
GENERAL NOTES			JOB USE	
MATERIAL: A992 / A36		ELECTRODES: E70XX LH	REF. DRG.	
HOLES: 13/16 DIA. U/N		CONN'S.: -	SHOP	
SURFACE PREP. SSPC-SP-2			APPROVAL	
AND PAINT: GREY PRIMER DEVOE NA-195 (U.N.)				
DESCRIPTION: CHANNEL				
PROJECT NAME Ross Middle School Addition/Remodel				
LOCATION Ross Local School District - Hamilton, O				
CONTRACTOR Endeavor				
Avenue Fabricating Inc. 1281 Clough Pike Batavia, OH 45103 (513) 752-1911		DRAWN BY	DATE	
		TMc	05/14/2010	
		CHKD. BY	DATE	
TAN	07/01/2010			
JOB No.	DRG. No.	REV.		
10-11	15B31	2		



PHASE				
1	2	3	4	5
1	0	0	0	0

ONE - BEAM - 15B32

FINISH: GALVANIZED

BILL OF MATERIAL

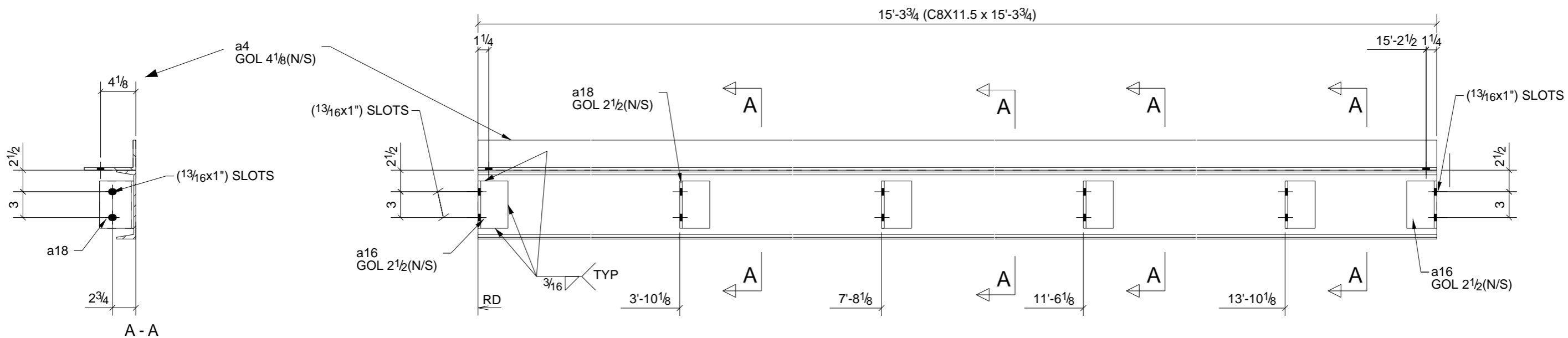
SHIP	MARK	NO PCS	DESCRIPTION	LENGTH	PIECE MARK	REMARKS
1	15B32	1	C8X11.5	15'-3 3/4"		SQ-2 A36 GALVANIZED
		4	L4X3-1/2X5/16	0'-5 1/2"	a18	A36
		1	L4X3-1/2X5/16	0'-5 1/2"	a68	A36
		1	L6X3-1/2X5/16	15'-3 3/4"	a241	A36
		1	BAR3/8"X5 1/2"	0'-8 15/16"	p2	A36 BENT

A	For Approval	05/13/10	TMc	
0	For Fabrication F&F	6/24/10	TMc	TH
REV.	DESCRIPTION	DATE	DWN	CHK

GENERAL NOTES

MATERIAL: A992 / A36	ELECTRODES: E70XX LH	REF. DRG.	JOB USE
HOLES: 13/16 DIA. U/N	CONN'S.: -		SHOP
SURFACE PREP. SSPC-SP-2 AND PAINT: GREY PRIMER DEVOE NA-195 (U.N.)			APPROVAL

DESCRIPTION:	CHANNEL
PROJECT NAME	Ross Middle School Addition/Remodel
LOCATION	Ross Local School District - Hamilton, O
CONTRACTOR	Endeavor
Avenue Fabricating Inc. 1281 Clough Pike Batavia, OH 45103 (513) 752-1911	
DRAWN BY TMc	DATE 05/14/2010
CHKD. BY TAN	DATE 07/01/2010
JOB No. 10-11	DRG. No. 15B32
	REV. 2



PHASE				
1	2	3	4	5
1	0	0	0	0

ONE - BEAM - 15B33

FINISH: GALVANIZED

BILL OF MATERIAL

SHIP	MARK	NO PCS	DESCRIPTION	LENGTH	PIECE MARK	REMARKS
1	15B33	1	C8X11.5	15'-3 3/4"		SQ-2 A36 GALVANIZED
		1	L6X3-1/2X5/16	15'-3 3/4"	a4	A36
		2	L4X3-1/2X5/16	0'-5 1/2"	a16	A36
		4	L4X3-1/2X5/16	0'-5 1/2"	a18	A36

A	For Approval	05/13/10	TMc	
0	For Fabrication F&F	6/24/10	TMc	TH
REV.	DESCRIPTION	DATE	DWN	CHK

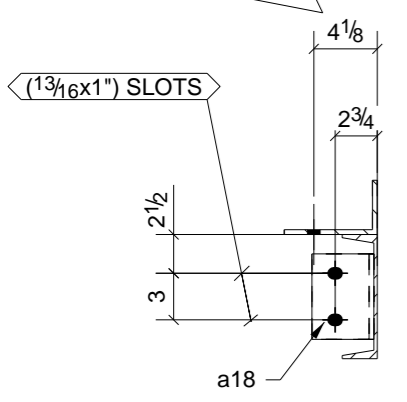
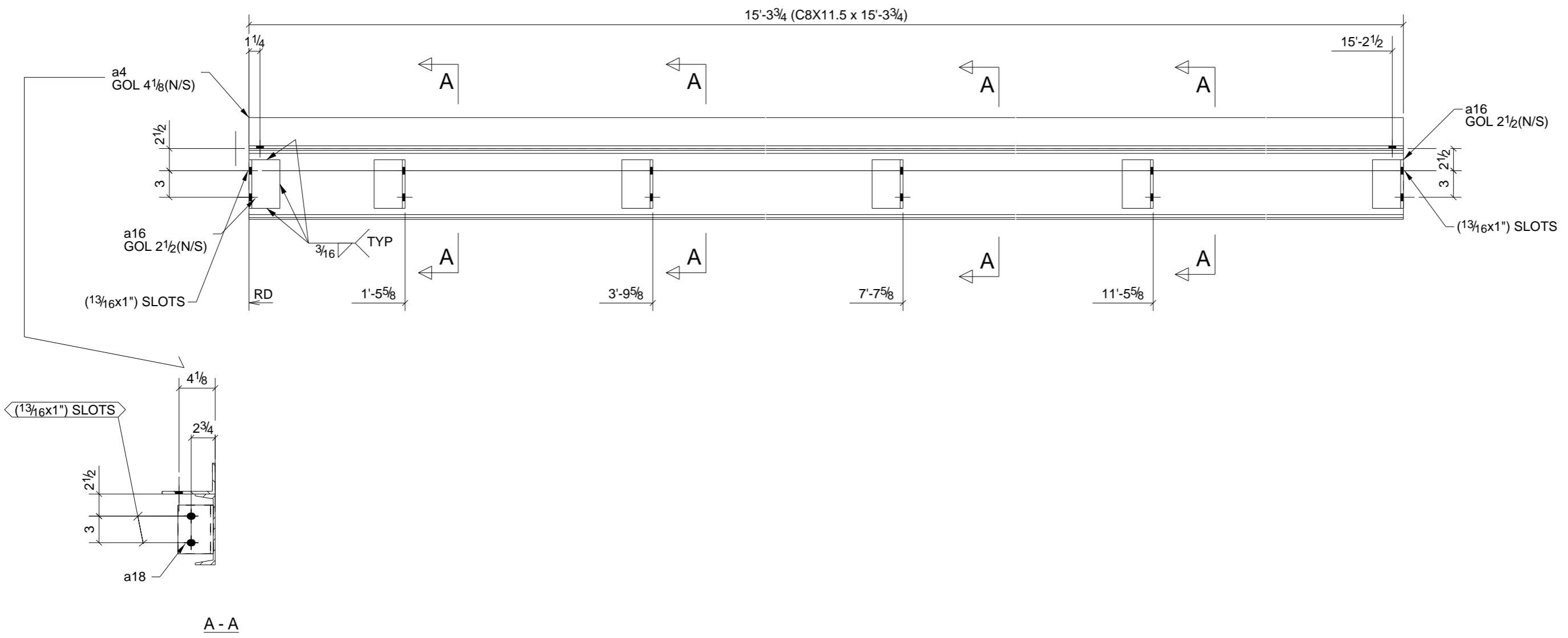
GENERAL NOTES

MATERIAL: A992 / A36	ELECTRODES: E70XX LH	REF. DRG.	JOB USE
HOLES: 13/16 DIA. U/N	CONN'S.: -		SHOP
SURFACE PREP. SSPC-SP-2 AND PAINT: GREY PRIMER DEVOE NA-195 (U.N.)			APPROVAL

DESCRIPTION:	CHANNEL
PROJECT NAME	Ross Middle School Addition/Remodel
LOCATION	Ross Local School District - Hamilton, O
CONTRACTOR	Endeavor

Avenue Fabricating Inc.
1281 Clough Pike
Batavia, OH 45103
(513) 752-1911

DRAWN BY	DATE	
TMc	05/14/2010	
CHKD. BY	DATE	
TAN	07/01/2010	
JOB No.	DRG. No.	REV.
10-11	15B33	2



A - A

ONE - BEAM - 15B34

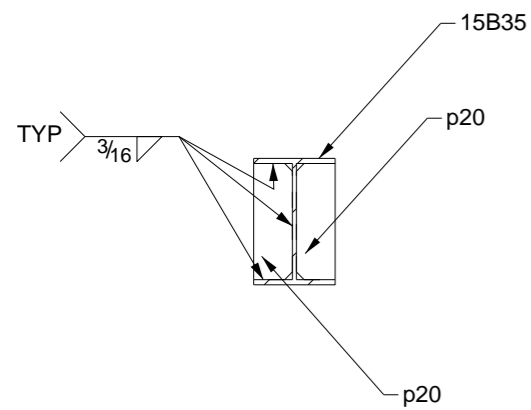
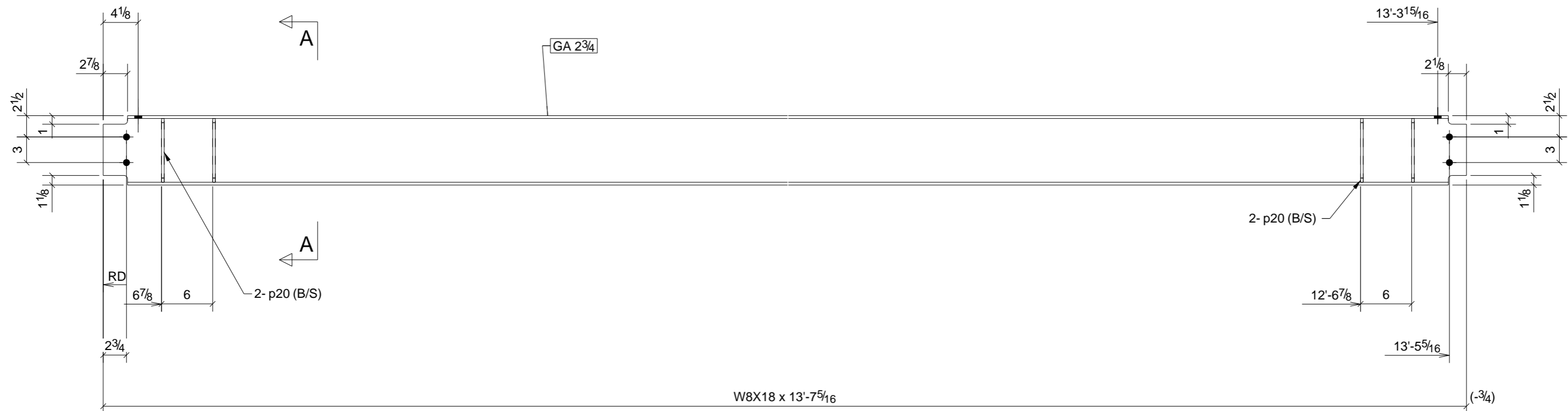
FINISH: GALVANIZED

PHASE				
1	2	3	4	5
1	0	0	0	0

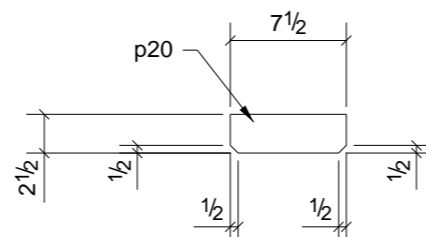
BILL OF MATERIAL

SHIP	MARK	NO PCS	DESCRIPTION	LENGTH	PIECE MARK	REMARKS
1	15B34	1	C8X11.5	15'-3 3/4"		SQ-2 A36 GALVANIZED
		1	L6X3-1/2X5/16	15'-3 3/4"	a4	A36
		2	L4X3-1/2X5/16	0'-5 1/2"	a16	A36
		4	L4X3-1/2X5/16	0'-5 1/2"	a18	A36

A	For Approval	05/13/10	TMc	
0	For Fabrication F&F	6/24/10	TMc	TH
REV.	DESCRIPTION	DATE	DWN	CHK
GENERAL NOTES				JOB USE
MATERIAL: A992 / A36		ELECTRODES: E70XX LH	REF. DRG.	
HOLES: 13/16 DIA. U/N		CONN'S.: -	SHOP	
SURFACE PREP. SSPC-SP-2 AND PAINT: GREY PRIMER DEVOE NA-195 (U.N.)			APPROVAL	
DESCRIPTION: CHANNEL				
PROJECT NAME		Ross Middle School Addition/Remodel		
LOCATION		Ross Local School District - Hamilton, O		
CONTRACTOR		Endeavor		
Avenue Fabricating Inc. 1281 Clough Pike Batavia, OH 45103 (513) 752-1911			DRAWN BY	
			TMc	
			DATE	
			05/14/2010	
			CHKD. BY	
			TAN	
			DATE	
			DATE	
			07/01/2010	
			JOB No.	
			DRG. No.	
			15B34	
			REV.	
			2	



A - A



2 - BEAMS - 15B35

PHASE				
1	2	3	4	5
1	0	0	0	0

W	8 1/8" x 1/4"
F	5 1/4" x 5/16"

A	For Approval	05/13/10	TMc	
0	For Fabrication F&F	6/24/10	TMc	TH
REV.	DESCRIPTION	DATE	DWN	CHK

GENERAL NOTES

MATERIAL: A992 / A36	ELECTRODES: E70XX LH	REF. DRG.	JOB USE
HOLES: 13/16 DIA. U/W	CONN'S.: -		SHOP
SURFACE PREP: SSPC-SP-2 AND PAINT: GREY PRIMER DEVOE NA-195 (U.N.)			APPROVAL

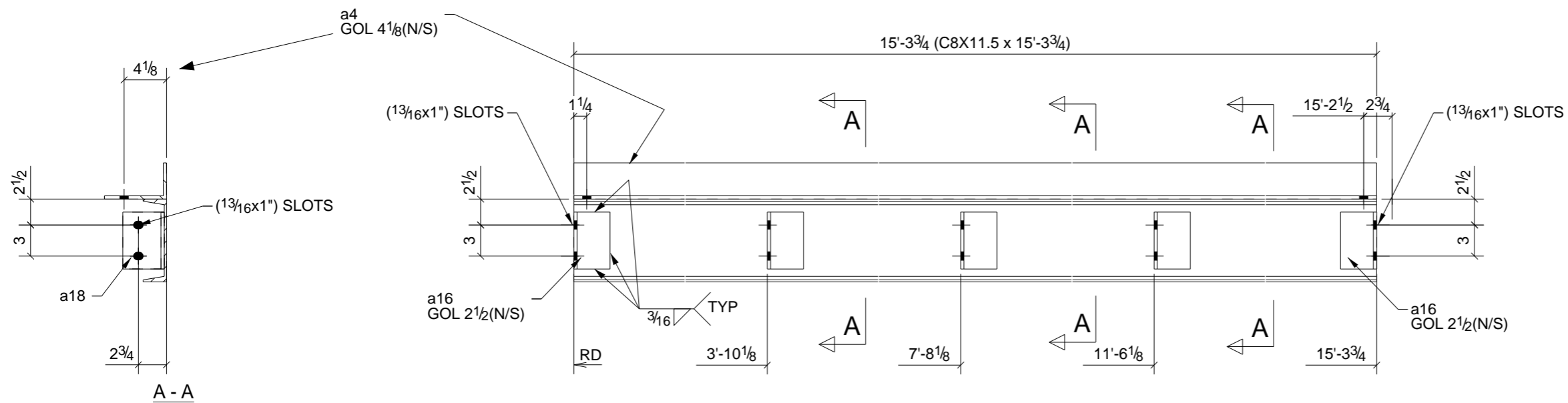
DESCRIPTION:	BEAM
PROJECT NAME	Ross Middle School Addition/Remodel
LOCATION	Ross Local School District - Hamilton, O
CONTRACTOR	Endeavor

BILL OF MATERIAL

SHIP	MARK	NO PCS	DESCRIPTION	LENGTH	PIECE MARK	REMARKS
2	15B35	2	W8X18	13'-7 5/16"		SQ-2 A992 GALVANIZED
		16	BAR5/16"X2 1/2"	0'-7 1/2"	p20	A36

Avenue Fabricating Inc.
 1281 Clough Pike
 Batavia, OH 45103
 (513) 752-1911

DRAWN BY	TMc	DATE	05/14/2010
CHKD. BY	TAN	DATE	07/01/2010
JOB No.	10-11	DRG. No.	15B35
		REV.	2



PHASE				
1	2	3	4	5
2	0	0	0	0

2 - BEAMS - 15B36

A	For Approval	05/13/10	TMc	
0	For Fabrication F&F	6/24/10	TMc	TH
REV.	DESCRIPTION	DATE	DWN	CHK

GENERAL NOTES

MATERIAL: A992 / A36	ELECTRODES: E70XX LH	REF. DRG.	JOB USE
HOLES: 13/16 DIA. U/N	CONN'S.: -		SHOP
SURFACE PREP. SSPC-SP-2 AND PAINT: GREY PRIMER DEVOE NA-195 (U.N.)			APPROVAL

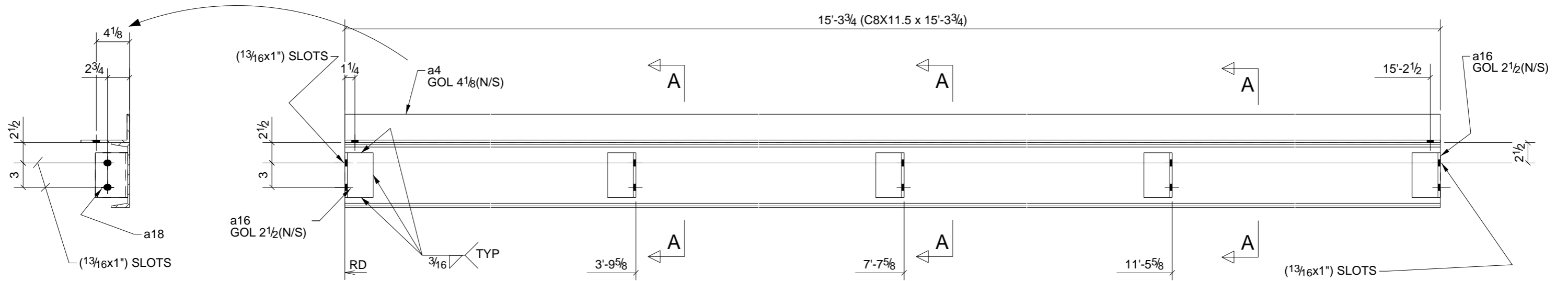
DESCRIPTION:	CHANNEL
PROJECT NAME	Ross Middle School Addition/Remodel
LOCATION	Ross Local School District - Hamilton, O
CONTRACTOR	Endeavor

BILL OF MATERIAL

SHIP	MARK	NO PCS	DESCRIPTION	LENGTH	PIECE MARK	REMARKS
2	15B36	2	C8X11.5	15'-3 3/4"		SQ-2 A36 GALVANIZED
		2	L6X3-1/2X5/16	15'-3 3/4"	a4	A36
		4	L4X3-1/2X5/16	0'-5 1/2"	a16	A36
		6	L4X3-1/2X5/16	0'-5 1/2"	a18	A36

Avenue Fabricating Inc.
1281 Clough Pike
Batavia, OH 45103
(513) 752-1911

DRAWN BY	TMc	DATE	05/14/2010
CHKD. BY	TAN	DATE	07/01/2010
JOB No.	10-11	DRG. No.	15B36
		REV.	2



A - A

PHASE				
1	2	3	4	5
1	0	0	0	0

ONE - BEAM - 15B37

FINISH: GALVANIZED

BILL OF MATERIAL

SHIP	MARK	NO PCS	DESCRIPTION	LENGTH	PIECE MARK	REMARKS
1	15B37	1	C8X11.5	15'-3 3/4"		SQ-2 A36 GALVANIZED
		1	L6X3-1/2X5/16	15'-3 3/4"	a4	A36
		2	L4X3-1/2X5/16	0'-5 1/2"	a16	A36
		3	L4X3-1/2X5/16	0'-5 1/2"	a18	A36

A	For Approval	05/13/10	TMc	
0	For Fabrication F&F	6/24/10	TMc	TH
REV.	DESCRIPTION	DATE	DWN	CHK

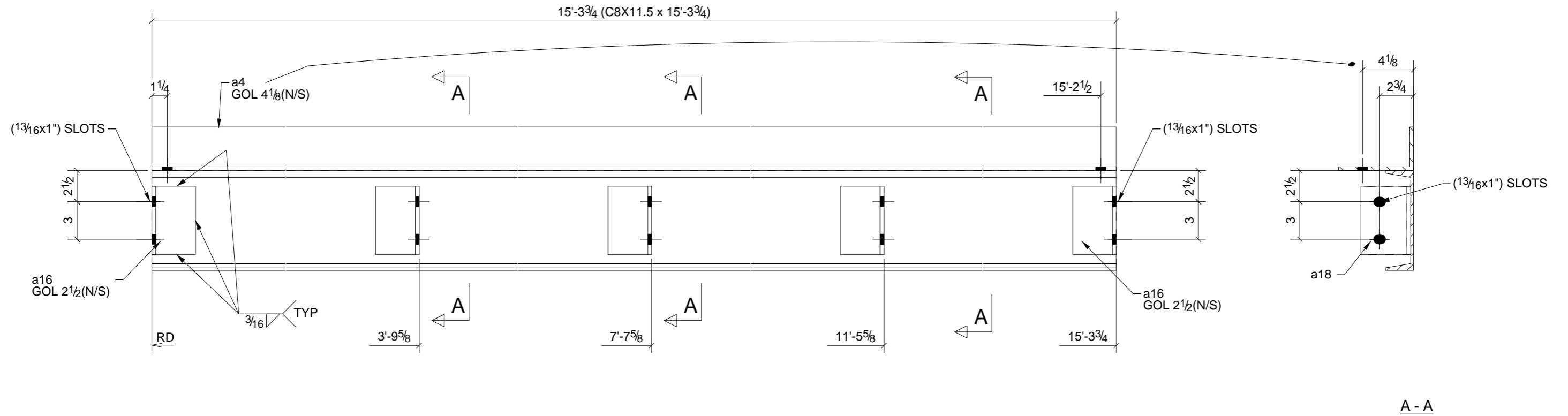
GENERAL NOTES

MATERIAL: A992 / A36	ELECTRODES: E70XX LH	REF. DRG.	JOB USE
HOLES: 13/16 DIA. U/N	CONN'S.: -		SHOP
SURFACE PREP. SSPC-SP-2 AND PAINT: GREY PRIMER DEVOE NA-195 (U.N.)			APPROVAL

DESCRIPTION:	CHANNEL
PROJECT NAME	Ross Middle School Addition/Remodel
LOCATION	Ross Local School District - Hamilton, O
CONTRACTOR	Endeavor

Avenue Fabricating Inc.
 1281 Clough Pike
 Batavia, OH 45103
 (513) 752-1911

DRAWN BY	TMc	DATE	05/14/2010
CHKD. BY	TAN	DATE	07/01/2010
JOB No.	10-11	DRG. No.	15B37
		REV.	2



PHASE				
1	2	3	4	5
1	0	0	0	0

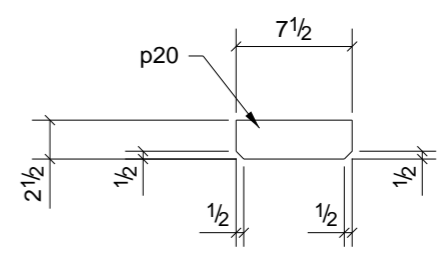
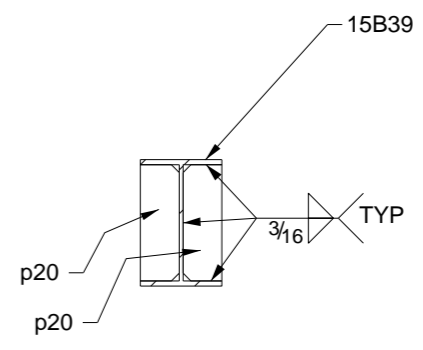
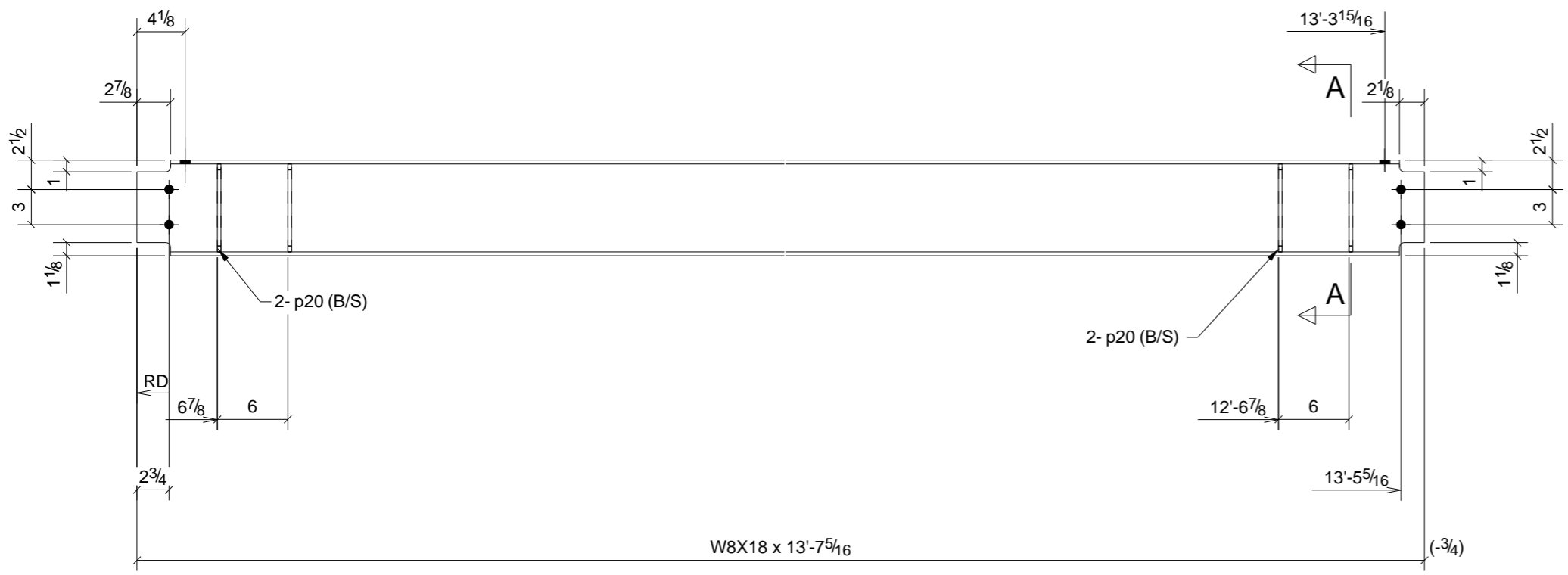
ONE - BEAM - 15B38

FINISH: GALVANIZED

BILL OF MATERIAL

SHIP	MARK	NO PCS	DESCRIPTION	LENGTH	PIECE MARK	REMARKS
1	15B38	1	C8X11.5	15'-3 3/4"		SQ-2 A36 GALVANIZED
		1	L6X3-1/2X5/16	15'-3 3/4"	a4	A36
		2	L4X3-1/2X5/16	0'-5 1/2"	a16	A36
		3	L4X3-1/2X5/16	0'-5 1/2"	a18	A36

A	For Approval	05/13/10	TMc	
0	For Fabrication F&F	6/24/10	TMc	TH
REV.	DESCRIPTION	DATE	DWN	CHK
GENERAL NOTES				JOB USE
MATERIAL: A992 / A36		ELECTRODES: E70XX LH	REF. DRG.	
HOLES: 13/16 DIA. U/N		CONN'S.: -	SHOP	
SURFACE PREP. SSPC-SP-2 AND PAINT: GREY PRIMER DEVOE NA-195 (U.N.)			APPROVAL	
DESCRIPTION: CHANNEL				
PROJECT NAME		Ross Middle School Addition/Remodel		
LOCATION		Ross Local School District - Hamilton, O		
CONTRACTOR		Endeavor		
Avenue Fabricating Inc. 1281 Clough Pike Batavia, OH 45103 (513) 752-1911			DRAWN BY	
			TMc	
			DATE	
			05/14/2010	
			CHKD. BY	
			TAN	
			DATE	
			DATE	
			07/01/2010	
			JOB No.	
			10-11	
			DRG. No.	
			15B38	
			REV.	
			2	



PHASE				
1	2	3	4	5
1	0	0	0	0

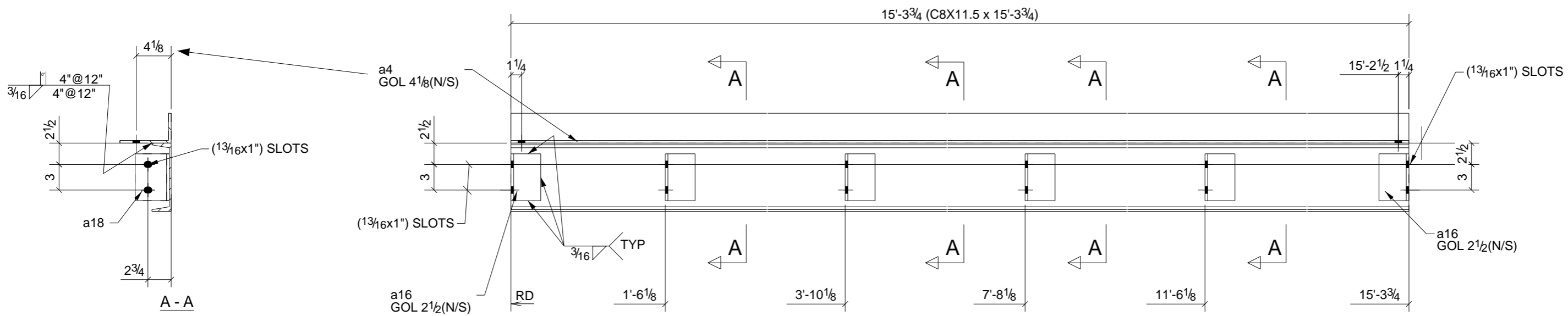
ONE - BEAM - 15B39

W	8 1/8" x 1/4"
F	5 1/4" x 5/16"

REV.	DESCRIPTION	DATE	DWN	CHK
A	For Approval	05/13/10	TMc	
0	For Fabrication F&F	6/24/10	TMc	TH
GENERAL NOTES		JOB USE		
MATERIAL: A992 / A36	ELECTRODES: E70XX LH	REF. DRG.		
HOLES: 13/16 DIA. U/N	CONN'S.: -	SHOP		
SURFACE PREP. SSPC-SP-2 AND PAINT: GREY PRIMER DEVOE NA-195 (U.N.)		APPROVAL		
DESCRIPTION: BEAM				
PROJECT NAME: Ross Middle School Addition/Remodel				
LOCATION: Ross Local School District - Hamilton, O				
CONTRACTOR: Endeavor				
Avenue Fabricating Inc. 1281 Clough Pike Batavia, OH 45103 (513) 752-1911		DRAWN BY: TMc		DATE: 05/14/2010
		CHKD. BY: TAN		DATE: 07/01/2010
		JOB No. 10-11	DRG. No. 15B39	REV. 2

BILL OF MATERIAL

SHIP	MARK	NO PCS	DESCRIPTION	LENGTH	PIECE MARK	REMARKS
1	15B39	1	W8X18	13'-7 5/16"		SQ-2 A992 GALVANIZED
		8	BAR5/16"X2 1/2"	0'-7 1/2"	p20	A36



PHASE				
1	2	3	4	5
1	0	0	0	0

ONE - BEAM - 15B40

FINISH: GALVANIZED

BILL OF MATERIAL

SHIP	MARK	NO PCS	DESCRIPTION	LENGTH	PIECE MARK	REMARKS
1	15B40	1	C8X11.5	15'-3 3/4"		SQ-2 A36 GALVANIZED
		1	L6X3-1/2X5/16	15'-3 3/4"	a4	A36
		2	L4X3-1/2X5/16	0'-5 1/2"	a16	A36
		4	L4X3-1/2X5/16	0'-5 1/2"	a18	A36

A	For Approval	05/13/10	TMc	
0	For Fabrication F&F	6/24/10	TMc	TH
REV.	DESCRIPTION	DATE	DWN	CHK

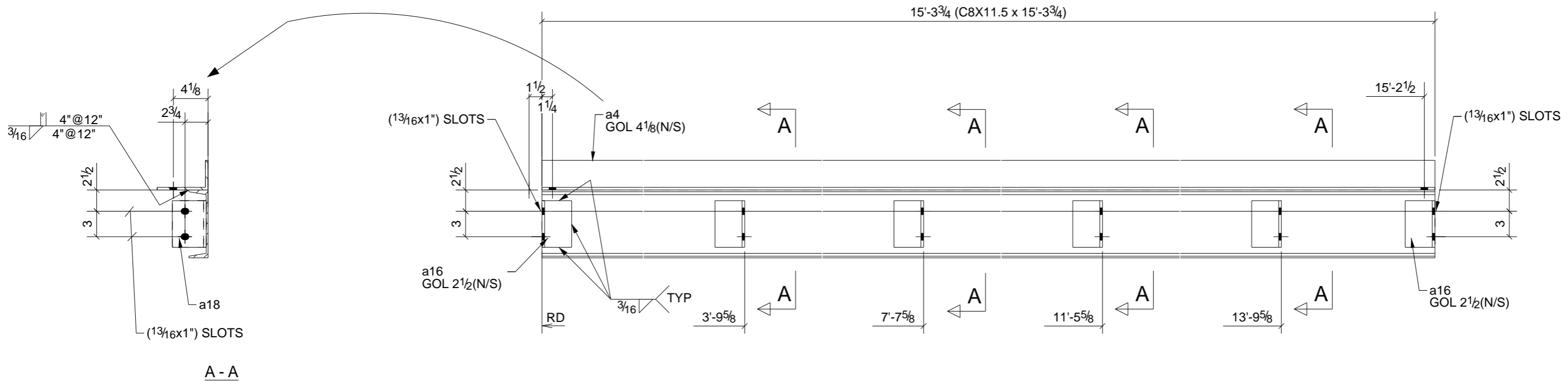
GENERAL NOTES

MATERIAL: A992 / A36		ELECTRODES: E70XX LH	REF. DRG.	JOB USE
HOLES: 13/16 DIA. U/N		CONN'S.: -		SHOP
SURFACE PREP. SSPC-SP-2 AND PAINT: GREY PRIMER DEVOE NA-195 (U.N.)				APPROVAL

DESCRIPTION:	CHANNEL
PROJECT NAME	Ross Middle School Addition/Remodel
LOCATION	Ross Local School District - Hamilton, O
CONTRACTOR	Endeavor

Avenue Fabricating Inc.
 1281 Clough Pike
 Batavia, OH 45103
 (513) 752-1911

DRAWN BY	TMc	DATE	05/14/2010
CHKD. BY	TAN	DATE	07/01/2010
JOB No.	10-11	DRG. No.	15B40
		REV.	2



PHASE				
1	2	3	4	5
1	0	0	0	0

ONE - BEAM - 15B41

FINISH: GALVANIZED

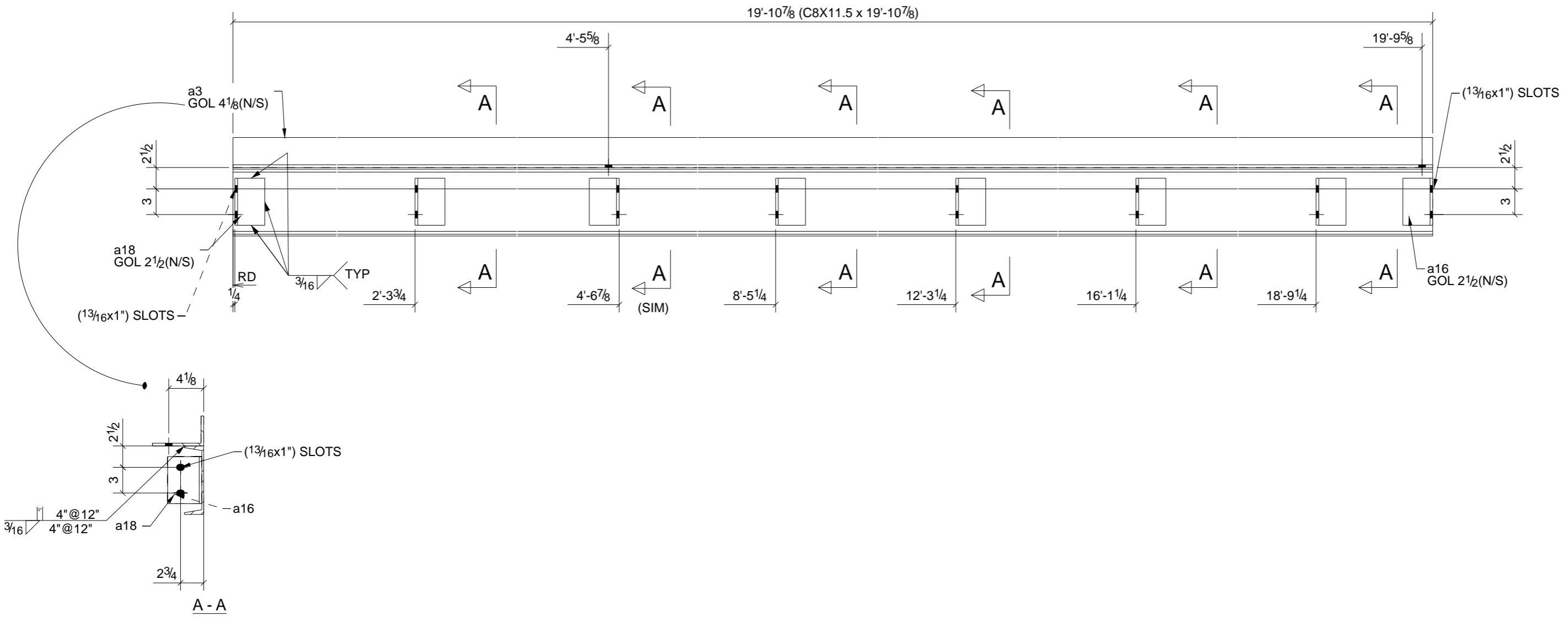
BILL OF MATERIAL

SHIP	MARK	NO PCS	DESCRIPTION	LENGTH	PIECE MARK	REMARKS
1	15B41	1	C8X11.5	15'-3 3/4"		SQ-2 A36 GALVANIZED
		1	L6X3-1/2X5/16	15'-3 3/4"	a4	A36
		2	L4X3-1/2X5/16	0'-5 1/2"	a16	A36
		4	L4X3-1/2X5/16	0'-5 1/2"	a18	A36

A	For Approval	05/13/10	TMc	
0	For Fabrication F&F	6/24/10	TMc	TH
REV.	DESCRIPTION	DATE	DWN	CHK

GENERAL NOTES

MATERIAL: A992 / A36		ELECTRODES: E70XX LH	REF. DRG.	JOB USE
HOLES: 13/16 DIA. U/N		CONN'S.: -		SHOP
SURFACE PREP. SSPC-SP-2 AND PAINT: GREY PRIMER DEVOE NA-195 (U.N.)				APPROVAL
DESCRIPTION: CHANNEL				
PROJECT NAME		Ross Middle School Addition/Remodel		
LOCATION		Ross Local School District - Hamilton, O		
CONTRACTOR		Endeavor		
Avenue Fabricating Inc. 1281 Clough Pike Batavia, OH 45103 (513) 752-1911			DRAWN BY	
			TMc	
			DATE	
			05/14/2010	
			CHKD. BY	
			TAN	
			DATE	
			DATE	
			07/01/2010	
			JOB No.	
			DRG. No.	
			15B41	
			REV.	
			10-11	
			2	



ONE - BEAM - 15B43

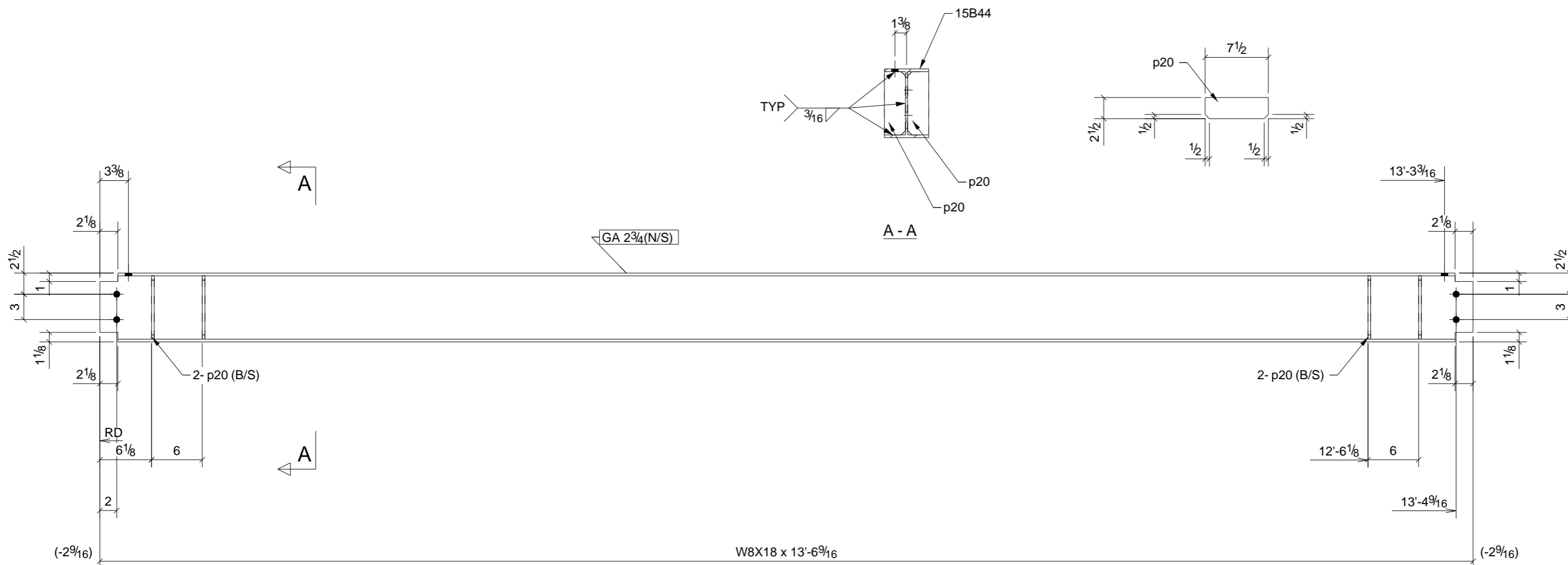
FINISH: GALVANIZED

PHASE				
1	2	3	4	5
1	0	0	0	0

BILL OF MATERIAL

SHIP	MARK	NO PCS	DESCRIPTION	LENGTH	PIECE MARK	REMARKS
1	15B43	1	C8X11.5	19'-10 7/8"		SQ-2 A36 GALVANIZED
		1	L6X3-1/2X5/16	19'-10 7/8"	a3	A36
		2	L4X3-1/2X5/16	0'-5 1/2"	a16	A36
		6	L4X3-1/2X5/16	0'-5 1/2"	a18	A36

A	For Approval	05/13/10	TMc	
0	For Fabrication F&F	6/24/10	TMc	TH
REV.	DESCRIPTION	DATE	DWN	CHK
GENERAL NOTES				JOB USE
MATERIAL: A992 / A36		ELECTRODES: E70XX LH	REF. DRG.	
HOLES: 13/16 DIA. U/N		CONN'S.: -	SHOP	
SURFACE PREP. SSPC-SP-2 AND PAINT: GREY PRIMER DEVOE NA-195 (U.N.)			APPROVAL	
DESCRIPTION: CHANNEL				
PROJECT NAME: Ross Middle School Addition/Remodel				
LOCATION: Ross Local School District - Hamilton, O				
CONTRACTOR: Endeavor				
Avenue Fabricating Inc. 1281 Clough Pike Batavia, OH 45103 (513) 752-1911			DRAWN BY TMc	DATE 05/14/2010
			CHKD. BY TAN	DATE 06/24/2010
			JOB No. 10-11	DRG. No. 15B43 REV. 2



PHASE				
1	2	3	4	5
1	0	0	0	0

ONE - BEAM - 15B44

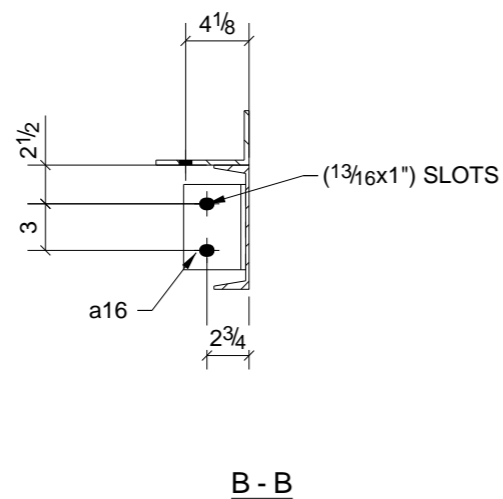
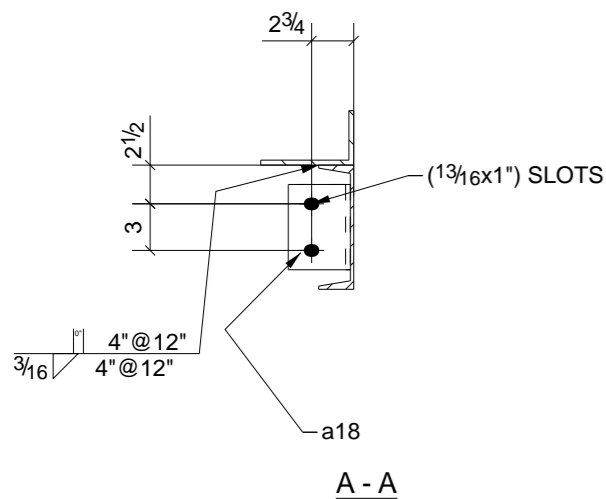
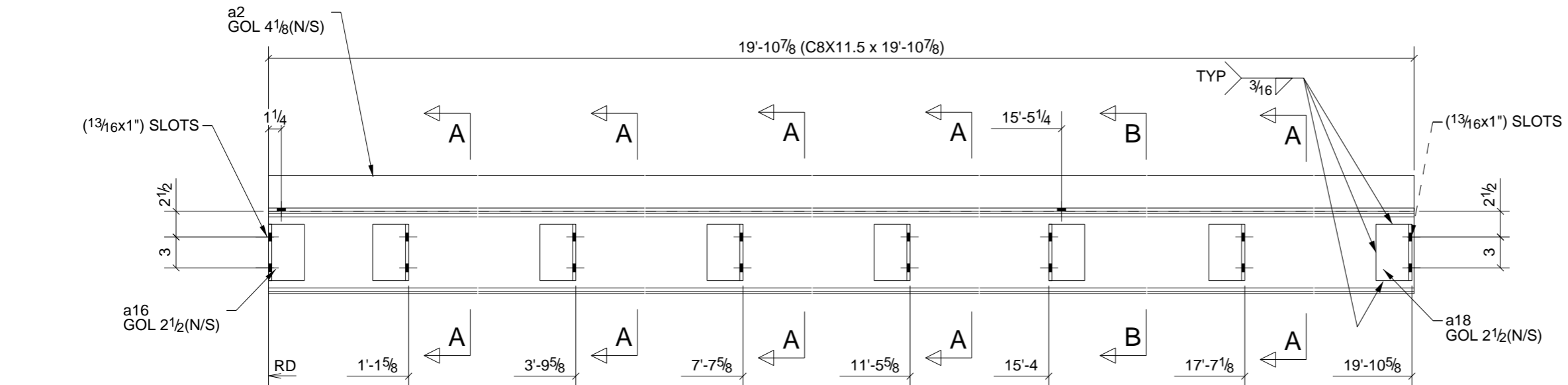
FINISH: GALVANIZED

W | 8 1/8" x 1/4"
F | 5 1/4" x 5/16"

BILL OF MATERIAL

SHIP	MARK	NO PCS	DESCRIPTION	LENGTH	PIECE MARK	REMARKS
1	15B44	1	W8X18	13'-6 9/16"		SQ-2 A992 GALVANIZED
		8	BAR5/16"X2 1/2"	0'-7 1/2"	p20	A36

A	For Approval	05/13/10	TMc	
0	For Fabrication F&F	6/24/10	TMc	TH
REV.	DESCRIPTION	DATE	DWN	CHK
GENERAL NOTES			JOB USE	
MATERIAL: A992 / A36		ELECTRODES: E70XX LH	REF. DRG.	
HOLES: 13/16 DIA. U/N		CONN'S.: -	SHOP	
SURFACE PREP. SSPC-SP-2			APPROVAL	
AND PAINT: GREY PRIMER DEVOE NA-195 (U.N.)				
DESCRIPTION: BEAM				
PROJECT NAME: Ross Middle School Addition/Remodel				
LOCATION: Ross Local School District - Hamilton, O				
CONTRACTOR: Endeavor				
Avenue Fabricating Inc. 1281 Clough Pike Batavia, OH 45103 (513) 752-1911		DRAWN BY	DATE	
		TMc	05/14/2010	
		CHKD. BY	DATE	
TAN	06/24/2010			
JOB No.	DRG. No.	REV.		
10-11	15B44	2		



PHASE				
1	2	3	4	5
1	0	0	0	0

ONE - BEAM - 15B45

FINISH: GALVANIZED

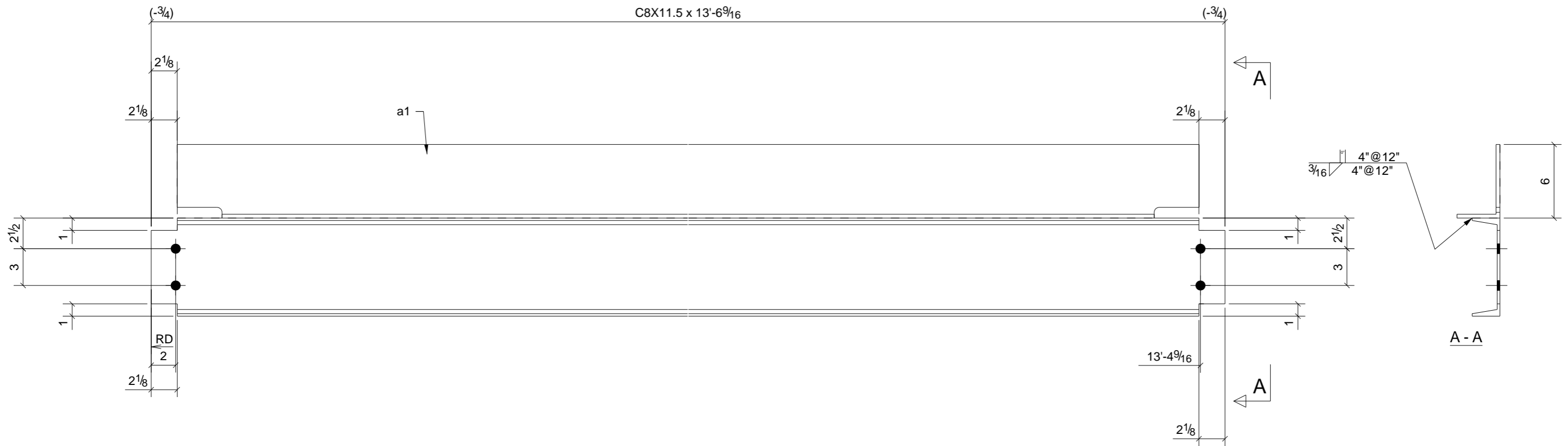
BILL OF MATERIAL

SHIP	MARK	NO PCS	DESCRIPTION	LENGTH	PIECE MARK	REMARKS
1	15B45	1	C8X11.5	19'-10 7/8"		SQ-2 A36 GALVANIZED
		1	L6X3-1/2X5/16	19'-10 7/8"	a2	A36
		2	L4X3-1/2X5/16	0'-5 1/2"	a16	A36
		6	L4X3-1/2X5/16	0'-5 1/2"	a18	A36

A	For Approval	05/13/10	TMc	
0	For Fabrication F&F	6/24/10	TMc	TH
REV.	DESCRIPTION	DATE	DWN	CHK

GENERAL NOTES

GENERAL NOTES			JOB USE	
MATERIAL: A992 / A36	ELECTRODES: E70XX LH	REF. DRG.		
HOLES: 13/16 DIA. U/N	CONN'S.: -		SHOP	
SURFACE PREP: SSPC-SP-2 AND PAINT: GREY PRIMER DEVOE NA-195 (U.N.)			APPROVAL	
DESCRIPTION: CHANNEL				
PROJECT NAME: Ross Middle School Addition/Remodel				
LOCATION: Ross Local School District - Hamilton, O				
CONTRACTOR: Endeavor				
Avenue Fabricating Inc. 1281 Clough Pike Batavia, OH 45103 (513) 752-1911			DRAWN BY	DATE
			TMc	05/14/2010
			CHKD. BY	DATE
			TAN	06/24/2010
JOB No.	DRG. No.	REV.		
10-11	15B45	2		



ONE - BEAM - 15B46

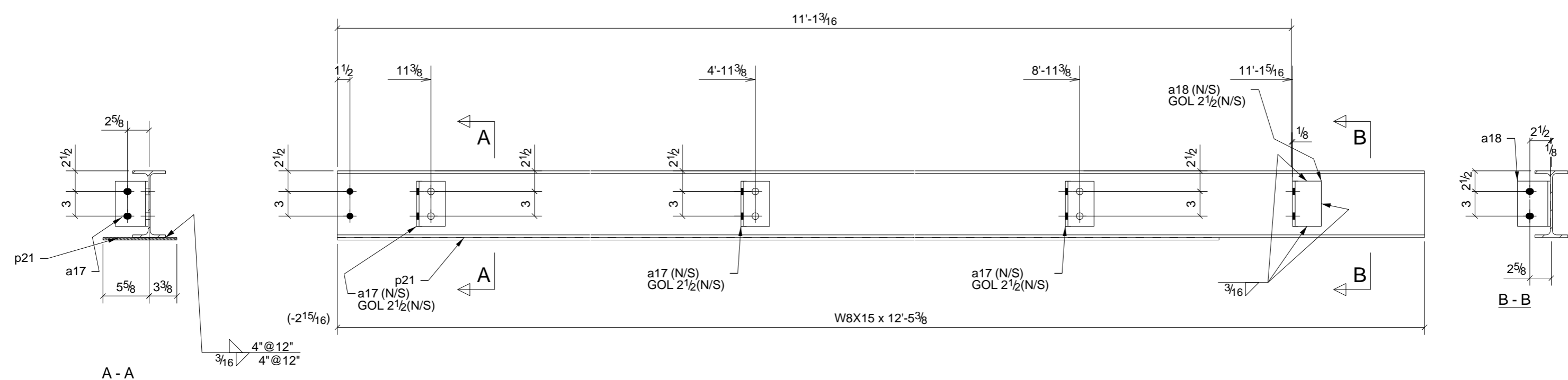
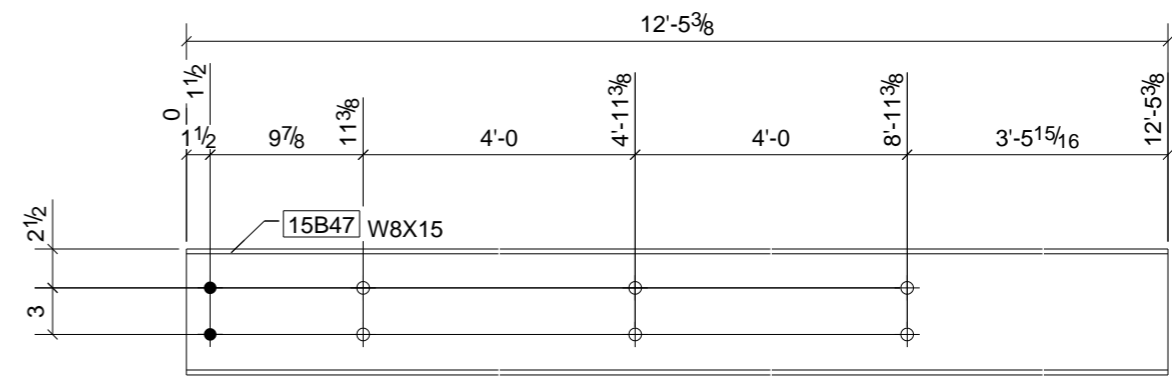
FINISH: GALVANIZED

PHASE				
1	2	3	4	5
1	0	0	0	0

BILL OF MATERIAL

SHIP	MARK	NO PCS	DESCRIPTION	LENGTH	PIECE MARK	REMARKS
1	15B46	1	C8X11.5	13'-6 9/16"		SQ-2 A36 GALVANIZED
		1	L6X3-1/2X5/16	13'-2 5/16"	a1	A36

A	For Approval	05/13/10	TMc	
0	For Fabrication F&F	6/24/10	TMc	TH
REV.	DESCRIPTION	DATE	DWN	CHK
GENERAL NOTES			JOB USE	
MATERIAL: A992 / A36	ELECTRODES: E70XX LH	REF. DRG.	SHOP	
HOLES: 13/16 DIA. U/N	CONN'S.: -		APPROVAL	
SURFACE PREP. SSPC-SP-2 AND PAINT: GREY PRIMER DEVOE NA-195 (U.N.)				
DESCRIPTION: CHANNEL				
PROJECT NAME Ross Middle School Addition/Remodel LOCATION Ross Local School District - Hamilton, O				
CONTRACTOR Endeavor				
Avenue Fabricating Inc. 1281 Clough Pike Batavia, OH 45103 (513) 752-1911			DRAWN BY	DATE
			TMc	05/14/2010
			CHKD. BY	DATE
TAN	06/24/2010	JOB No.	DRG. No.	REV.
10-11	15B46			2



ONE - BEAM - 15B47

PHASE				
1	2	3	4	5
1	0	0	0	0

W	8 1/8" x 1/4"
F	4" x 5/16"

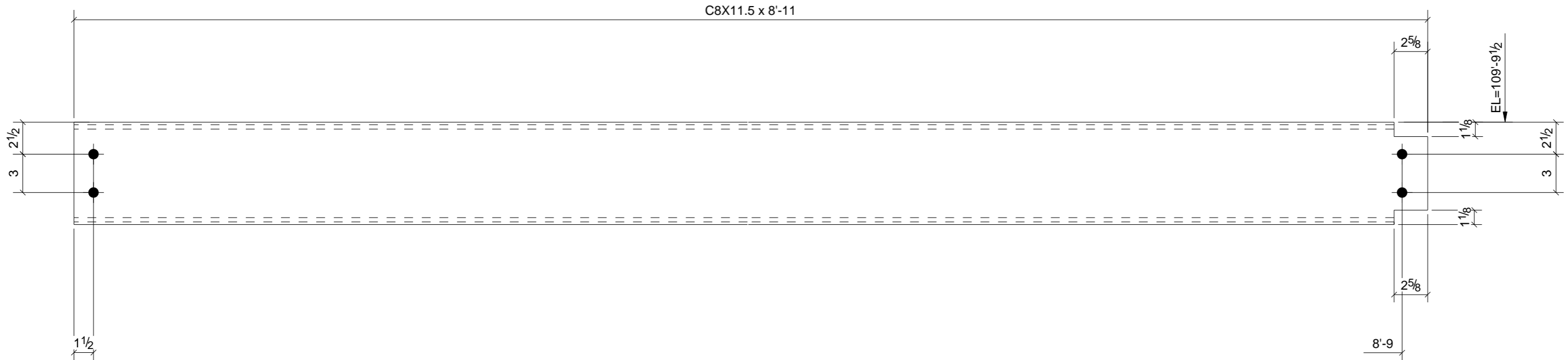
A	For Approval	05/13/10	TMc	
0	For Fabrication F&F	6/24/10	TMc	TH
REV.	DESCRIPTION	DATE	DWN	CHK

GENERAL NOTES			JOB USE	
MATERIAL: A992 / A36	ELECTRODES: E70XX LH	REF. DRG.	SHOP	
HOLES: 13/16 DIA. U/N	CONN'S.: -		APPROVAL	
SURFACE PREP. SSPC-SP-2 AND PAINT: GREY PRIMER DEVOE NA-195 (U.N.)				

BILL OF MATERIAL

SHIP	MARK	NO PCS	DESCRIPTION	LENGTH	PIECE MARK	REMARKS
1	15B47	1	W8X15	12'-5 3/8"		SQ-2 A992 GALVANIZED
		3	L4X3-1/2X5/16	0'-5 1/2"	a17	A36
		1	L4X3-1/2X5/16	0'-5 1/2"	a18	A36
		1	BAR5/16"X9"	10'-4 3/8"	p21	A36
		6	3/4"Ø A325N BOLT	0'-1 3/4"		

DESCRIPTION:	BEAM				
PROJECT NAME	Ross Middle School Addition/Remodel				
LOCATION	Ross Local School District - Hamilton, O				
CONTRACTOR	Endeavor				
Avenue Fabricating Inc. 1281 Clough Pike Batavia, OH 45103 (513) 752-1911					
DRAWN BY	TMc	DATE	05/14/2010		
CHKD. BY	TAN	DATE	06/24/2010		
JOB No.	10-11	DRG. No.	15B47	REV.	2



ONE - BEAM - 15B5

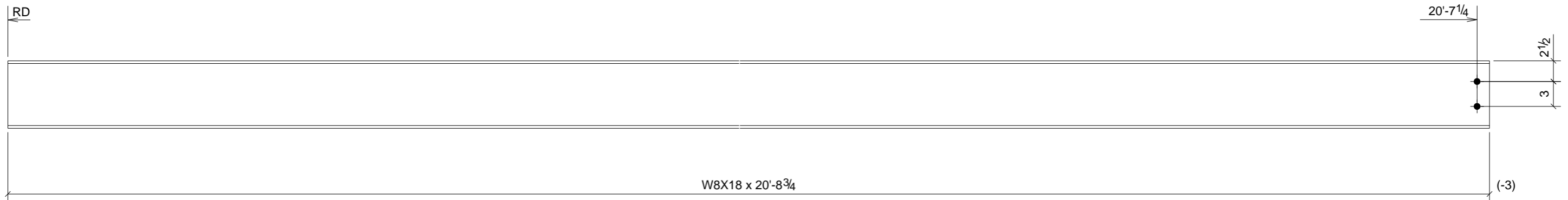
GALVANIZED

PHASE				
1	2	3	4	5
1	0	0	0	0

BILL OF MATERIAL

SHIP	MARK	NO PCS	DESCRIPTION	LENGTH	PIECE MARK	REMARKS
1	15B5	1	C8X11.5	8'-11"		SQ-2 A36 GALVANIZED

A	For Approval	05/13/10	TMc	
0	For Fabrication F&F	6/24/10	TMc	TH
REV.	DESCRIPTION	DATE	DWN	CHK
GENERAL NOTES			JOB USE	
MATERIAL: A992 / A36		ELECTRODES: E70XX LH	REF. DRG.	
HOLES: 13/16 DIA. U/N		CONN'S.: -	SHOP	
SURFACE PREP. SSPC-SP-2			APPROVAL	
AND PAINT: GREY PRIMER DEVOE NA-195 (U.N.)				
DESCRIPTION: CHANNEL				
PROJECT NAME		Ross Middle School Addition/Remodel		
LOCATION		Ross Local School District - Hamilton, O		
CONTRACTOR		Endeavor		
Avenue Fabricating Inc. 1281 Clough Pike Batavia, OH 45103 (513) 752-1911		DRAWN BY		DATE
		TMc		05/14/2010
		CHKD. BY		DATE
		TAN		06/24/2010
JOB No.		DRG. No.	REV.	
10-11		15B5	2	



PHASE				
1	2	3	4	5
1	0	0	0	0

ONE - BEAM - 15B6

GALVANIZED

W	8 1/8" x 1/4"
F	5 1/4" x 5/16"

A	For Approval	05/13/10	TMc	
0	For Fabrication F&F	6/24/10	TMc	TH
REV.	DESCRIPTION	DATE	DWN	CHK

GENERAL NOTES

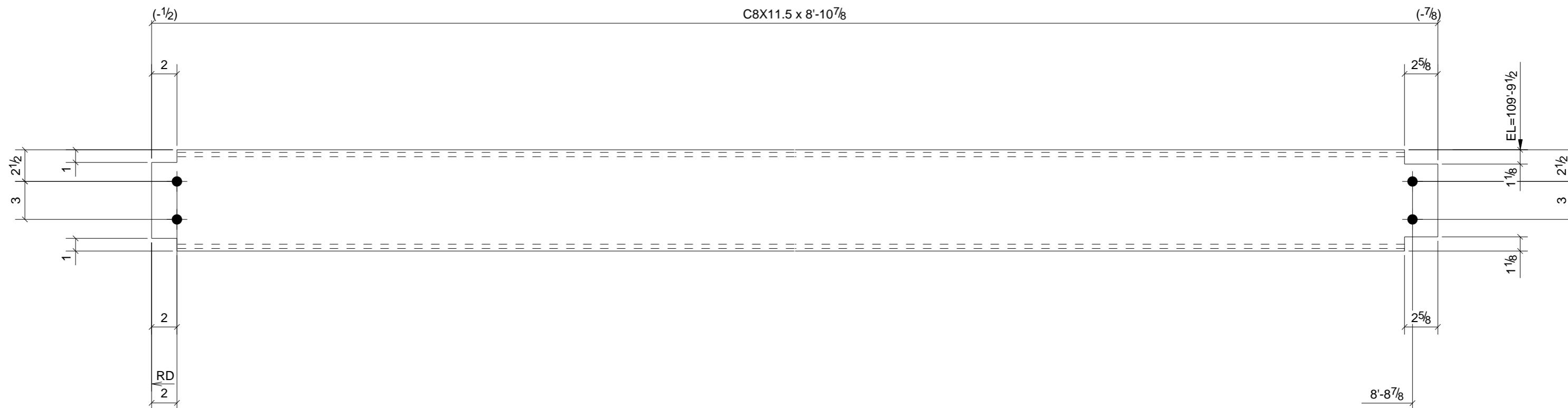
MATERIAL: A992 / A36	ELECTRODES: E70XX LH	REF. DRG.	JOB USE
HOLES: 13/16 DIA. U/N	CONN'S.: -		SHOP
SURFACE PREP: SSPC-SP-2 AND PAINT: GREY PRIMER DEVOE NA-195 (U.N.)			APPROVAL
DESCRIPTION: BEAM			
PROJECT NAME: Ross Middle School Addition/Remodel			
LOCATION: Ross Local School District - Hamilton, O			
CONTRACTOR: Endeavor			

BILL OF MATERIAL

SHIP	MARK	NO PCS	DESCRIPTION	LENGTH	PIECE MARK	REMARKS
1	15B6	1	W8X18	20'-8 3/4"		SQ-2 A992 GALVANIZED

Avenue Fabricating Inc.
 1281 Clough Pike
 Batavia, OH 45103
 (513) 752-1911

DRAWN BY TMc	DATE 05/14/2010
CHKD. BY TAN	DATE
JOB No. 10-11	DRG. No. 15B6
	REV. 2



2 - BEAMS - 15B7

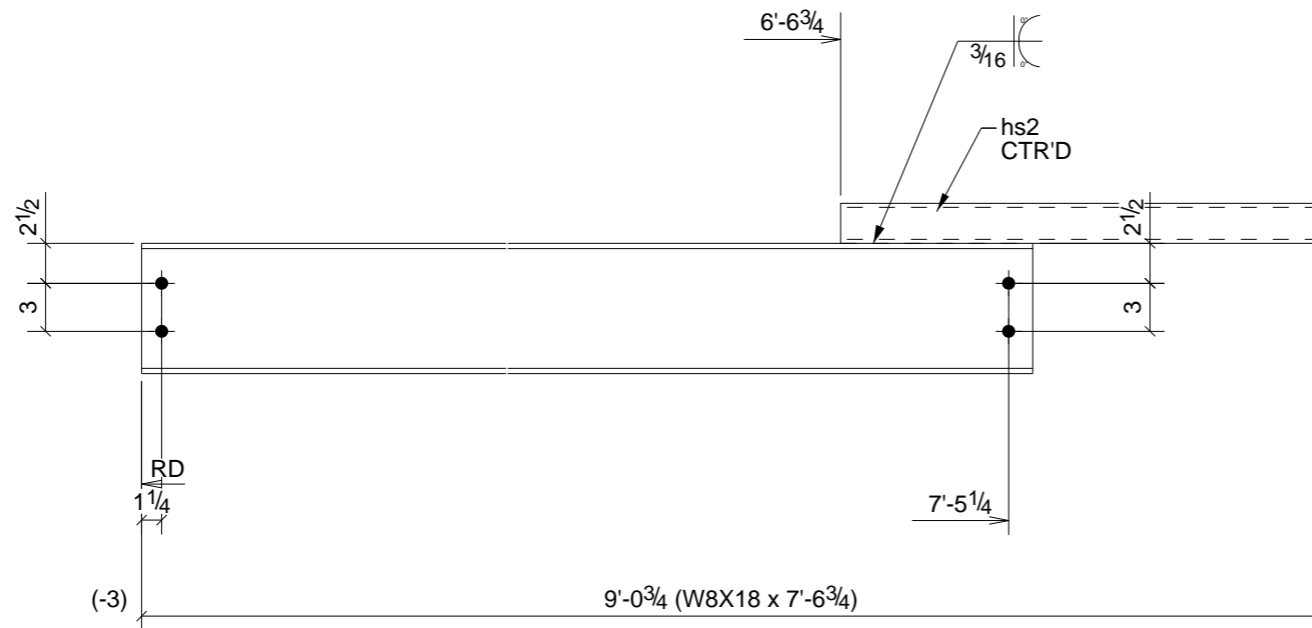
GALVANIZED

PHASE				
1	2	3	4	5
2	0	0	0	0

BILL OF MATERIAL

SHIP	MARK	NO PCS	DESCRIPTION	LENGTH	PIECE MARK	REMARKS
2	15B7	2	C8X11.5	8'-10 7/8"		SQ-2 A36 GALVANIZED

A	For Approval	7/22/09	TMc	
0	For Fabrication F&F	6/24/10	TMc	TH
REV.	DESCRIPTION	DATE	DWN	CHK
GENERAL NOTES			JOB USE	
MATERIAL: A992 / A36		ELECTRODES: E70XX LH	REF. DRG.	
HOLES: 13/16 DIA. U/N		CONN'S.: -	SHOP	
SURFACE PREP. SSPC-SP-2			APPROVAL	
AND PAINT: GREY PRIMER DEVOE NA-195 (U.N.)				
DESCRIPTION: CHANNEL				
PROJECT NAME		Ross Middle School Addition/Remodel		
LOCATION		Ross Local School District - Hamilton, O		
CONTRACTOR		Endeavor		
Avenue Fabricating Inc. 1281 Clough Pike Batavia, OH 45103 (513) 752-1911		DRAWN BY		DATE
		TMc		05/14/2010
		CHKD. BY		DATE
TAN				
JOB No.		DRG. No.	REV.	
10-11		15B7	4	



PHASE				
1	2	3	4	5
1	0	0	0	0

ONE - BEAM - 15B8

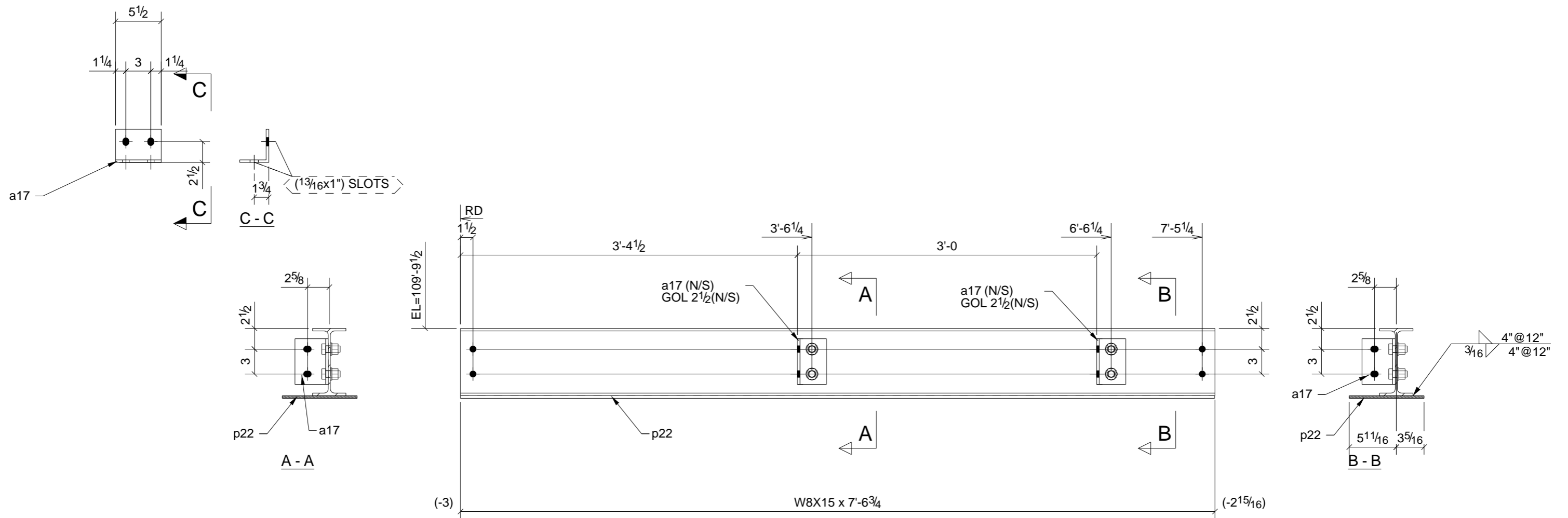
GALVANIZED

W | 8 1/8" x 1/4"
F | 5 1/4" x 5/16"

BILL OF MATERIAL

SHIP	MARK	NO PCS	DESCRIPTION	LENGTH	PIECE MARK	REMARKS
1	15B8	1	W8X18	7'-6 3/4"		SQ-2 A992 GALVANIZED
		1	HSS2-1/2X2-1/2X1/4	2'-6"	hs2	A500-GR.B

A	For Approval	05/13/10	TMc	
0	For Fabrication F&F	6/24/10	TMc	TH
REV.	DESCRIPTION	DATE	DWN	CHK
GENERAL NOTES				JOB USE
MATERIAL: A992 / A36		ELECTRODES: E70XX LH	REF. DRG.	
HOLES: 13/16 DIA. U/N		CONN'S.: -	SHOP	
SURFACE PREP. SSPC-SP-2 AND PAINT: GREY PRIMER DEVOE NA-195 (U.N.)			APPROVAL	
DESCRIPTION: BEAM				
PROJECT NAME Ross Middle School Addition/Remodel LOCATION Ross Local School District - Hamilton, O				
CONTRACTOR Endeavor				
Avenue Fabricating Inc. 1281 Clough Pike Batavia, OH 45103 (513) 752-1911			DRAWN BY	DATE
			TMc	05/14/2010
			CHKD. BY	DATE
			TAN	06/24/2010
			JOB No.	DRG. No.
			10-11	15B8
			REV.	
			2	



PHASE				
1	2	3	4	5
1	0	0	0	0

ONE - BEAM - 15B9

GALVANIZED

W | 8 1/8" x 1/4"
F | 4" x 5/16"

A	For Approval	05/13/10	TMc	
0	For Fabrication F&F	6/24/10	TMc	TH
REV.	DESCRIPTION	DATE	DWN	CHK

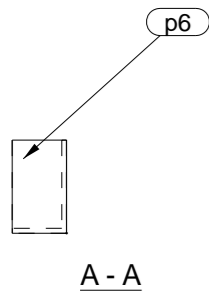
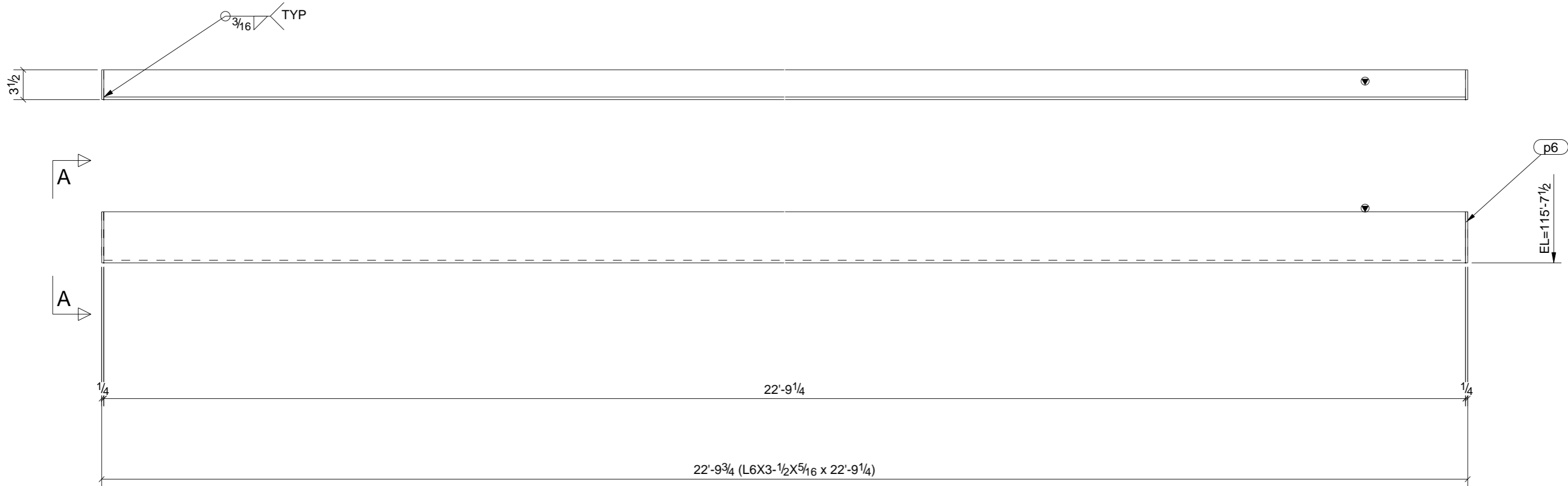
GENERAL NOTES			JOB USE	
MATERIAL: A992 / A36	ELECTRODES: E70XX LH	REF. DRG.		
HOLES: 13/16 DIA. U/N	CONN'S.: -		SHOP	
SURFACE PREP: SSPC-SP-2 AND PAINT: GREY PRIMER DEVOE NA-195 (U.N.)			APPROVAL	
DESCRIPTION: BEAM				
PROJECT NAME		Ross Middle School Addition/Remodel		
LOCATION		Ross Local School District - Hamilton, O		
CONTRACTOR		Endeavor		

BILL OF MATERIAL

SHIP	MARK	NO PCS	DESCRIPTION	LENGTH	PIECE MARK	REMARKS
1	15B9	1	W8X15	7'-6 3/4"		SQ-2 A992 GALVANIZED
		2	L4X3-1/2X5/16	0'-5 1/2"	a17	A36
		1	FL5/16"X9"	7'-6 11/16"	p22	A36
		4	3/4"Ø A325N BOLT	0'-1 3/4"		

Avenue Fabricating Inc.
1281 Clough Pike
Batavia, OH 45103
(513) 752-1911

DRAWN BY	TMc	DATE	05/14/2010
CHKD. BY	TAN	DATE	07/01/2010
JOB No.	10-11	DRG. No.	15B9
		REV.	3



ONE - ANGLE - 17A1

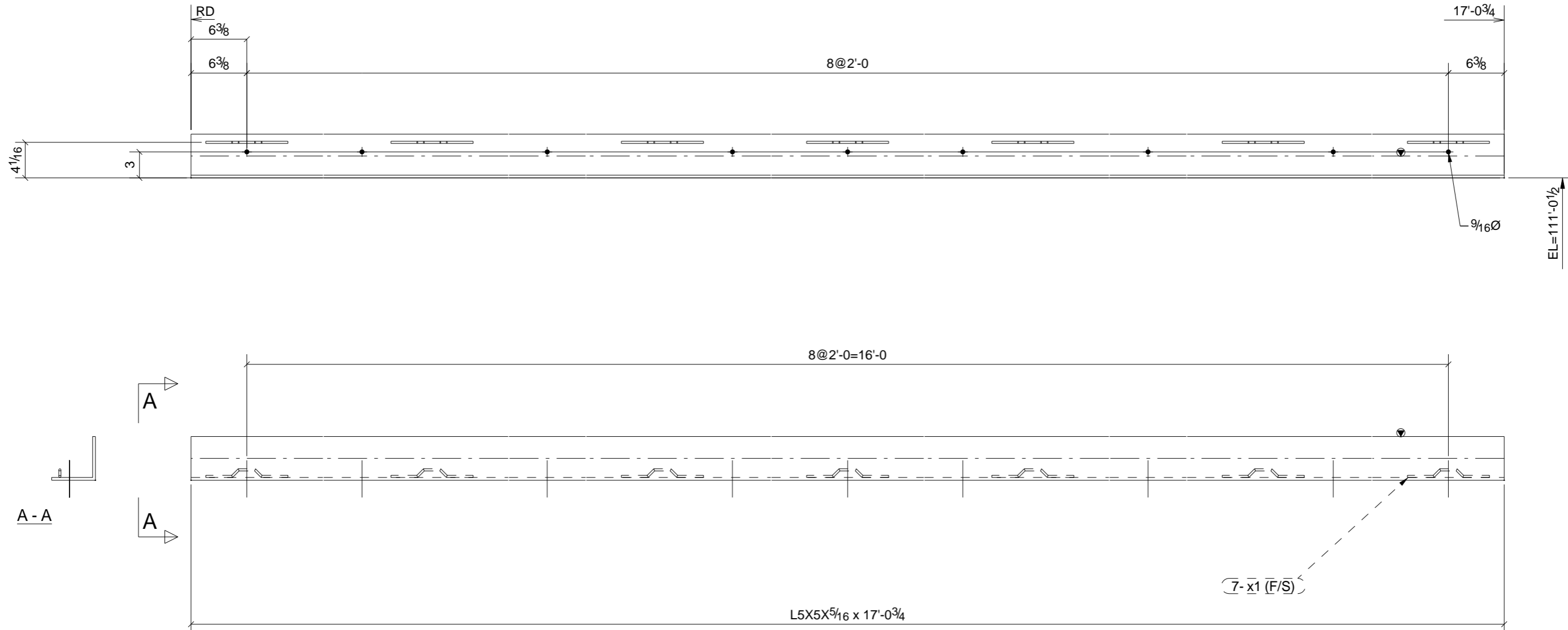
FINISH: GALVANIZED

PHASE				
1	2	3	4	5
1	0	0	0	0

BILL OF MATERIAL

SHIP	MARK	NO PCS	DESCRIPTION	LENGTH	PIECE MARK	REMARKS
1	17A1	1	L6X3-1/2X5/16	22'-9 1/4"		SQ-2 A36 GALVANIZED
		2	BAR1/4"X3 1/2"	0'-6"	p6	A36

A	For Approval	05/13/10	TMc	
0	For Fabrication F&F	6/24/10	TMc	TH
REV.	DESCRIPTION	DATE	DWN	CHK
GENERAL NOTES			JOB USE	
MATERIAL: A992 / A36	ELECTRODES: E70XX LH	REF. DRG.		SHOP
HOLES: 13/16 DIA. U/N	CONN'S.: -			APPROVAL
SURFACE PREP. SSSPC-SP-2 AND PAINT: GREY PRIMER DEVOE NA-195 (U.N.)				
DESCRIPTION: ANGLE				
PROJECT NAME: Ross Middle School Addition/Remodel				
LOCATION: Ross Local School District - Hamilton, O				
CONTRACTOR: Endeavor				
Avenue Fabricating Inc. 1281 Clough Pike Batavia, OH 45103 (513) 752-1911		DRAWN BY: TMc		DATE: 06/27/2010
		CHKD. BY: TAN		DATE: 06/24/2010
		JOB No. 10-11	DRG. No. 17A1	REV. 2



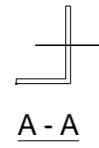
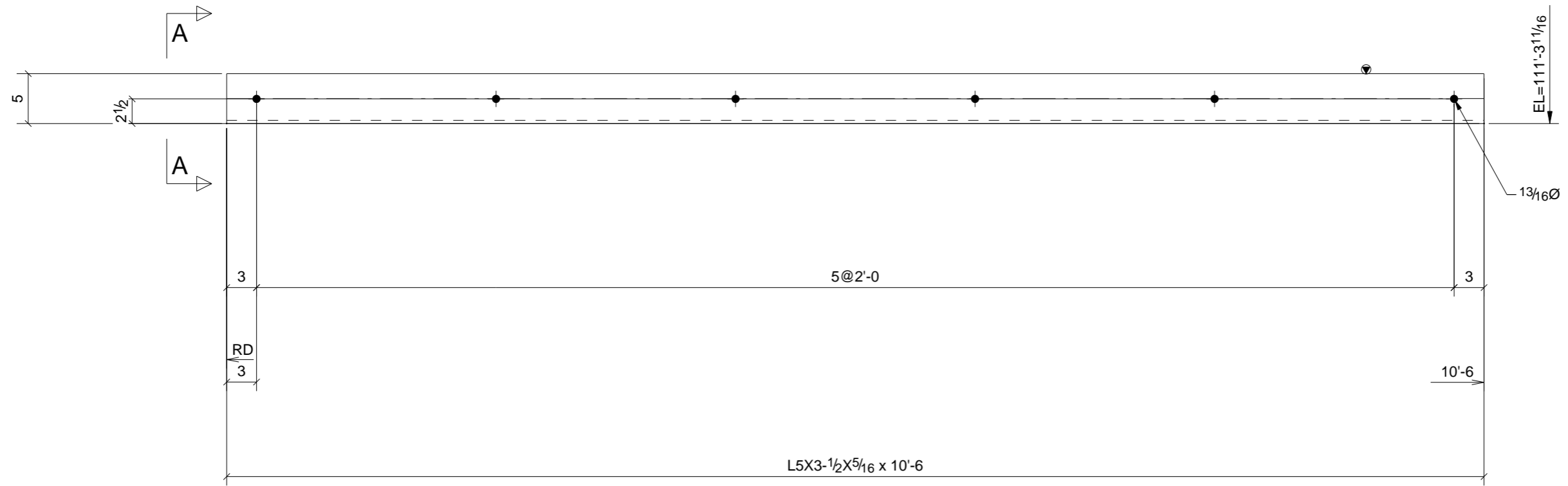
8 - ANGLES - 17A14

PHASE				
1	2	3	4	5
8	0	0	0	0

A	For Approval	05/13/10	TMc	
0	For Fabrication F&F	6/24/10	TMc	TH
REV.	DESCRIPTION	DATE	DWN	CHK
GENERAL NOTES			JOB USE	
MATERIAL: A992 / A36		ELECTRODES: E70XX LH	REF. DRG.	
HOLES: 13/16 DIA. U/N		CONNS.: -	SHOP	
SURFACE PREP: SSPC-SP-2 AND PAINT: GREY PRIMER DEVOE NA-195 (U.N.)			APPROVAL	
DESCRIPTION: ANGLE				
PROJECT NAME: Ross Middle School Addition/Remodel				
LOCATION: Ross Local School District - Hamilton, O				
CONTRACTOR: Endeavor				
Avenue Fabricating Inc. 1281 Clough Pike Batavia, OH 45103 (513) 752-1911			DRAWN BY: TMc	
			DATE: 06/27/2010	
			CHKD. BY: TAN	
			DATE: 06/24/2010	
JOB No. 10-11		DRG. No. 17A14		REV. 2

BILL OF MATERIAL

SHIP	MARK	NO PCS	DESCRIPTION	LENGTH	PIECE MARK	REMARKS
8	17A14	8	L5X5X5/16	17'-0 3/4"		SQ-2 A36
		56	H&B #359	0'-9 9/16"	x1	A36



ONE - ANGLE - 17A2

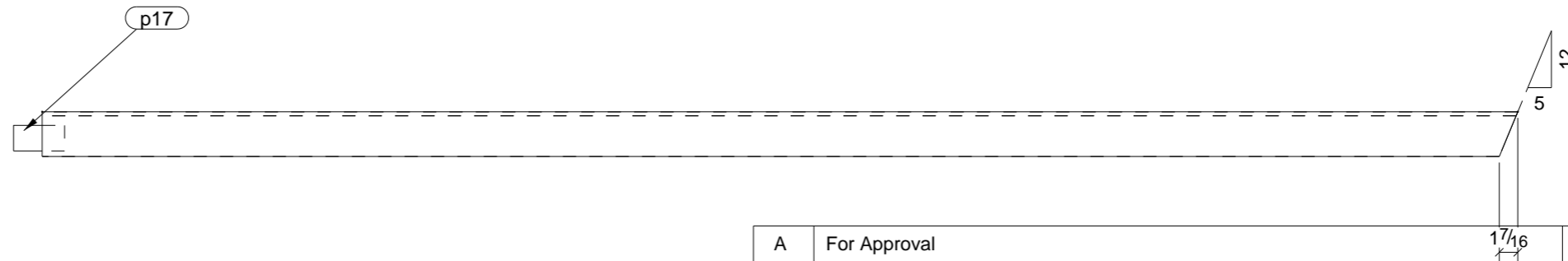
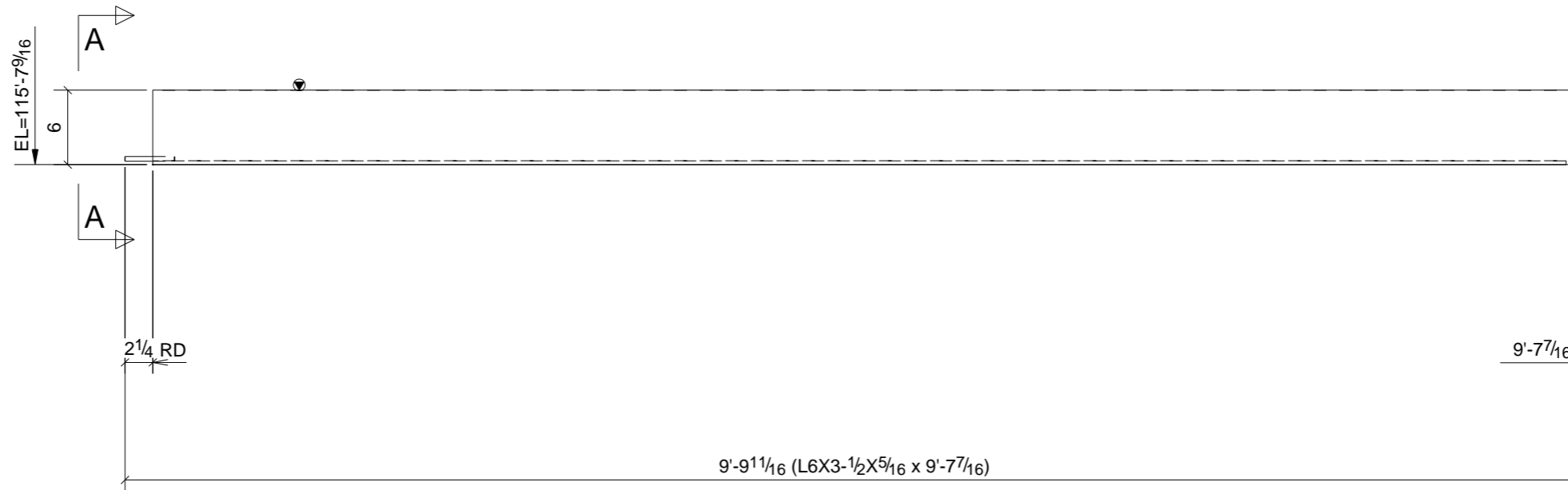
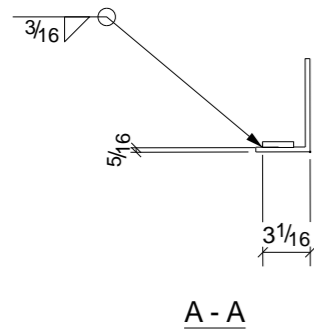
PHASE				
1	2	3	4	5
1	0	0	0	0

A	For Approval	05/13/10	TMc	
0	For Fabrication F&F	6/24/10	TMc	TH
REV.	DESCRIPTION	DATE	DWN	CHK

GENERAL NOTES			JOB USE	
MATERIAL: A992 / A36	ELECTRODES: E70XX LH	REF. DRG.		
HOLES: 13/16 DIA. U/N	CONN'S.: -		SHOP	
SURFACE PREP. SSPC-SP-2 AND PAINT: GREY PRIMER DEVOE NA-195 (U.N.)			APPROVAL	
DESCRIPTION: ANGLE				
PROJECT NAME Ross Middle School Addition/Remodel				
LOCATION Ross Local School District - Hamilton, O				
CONTRACTOR Endeavor				

BILL OF MATERIAL						
SHIP	MARK	NO PCS	DESCRIPTION	LENGTH	PIECE MARK	REMARKS
1	17A2	1	L5X3-1/2X5/16	10'-6"		SQ-2 A36 PRIMED

Avenue Fabricating Inc. 1281 Clough Pike Batavia, OH 45103 (513) 752-1911		DRAWN BY TMc	DATE 06/27/2010
		CHKD. BY TAN	DATE 06/24/2010
		JOB No. 10-11	DRG. No. 17A2



ONE - ANGLE - 17A3

FINISH: GALVANIZED

PHASE				
1	2	3	4	5
1	0	0	0	0

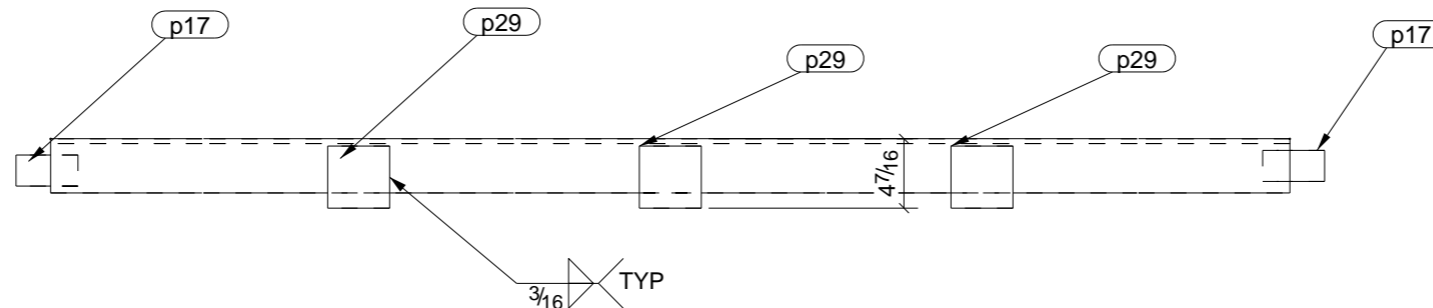
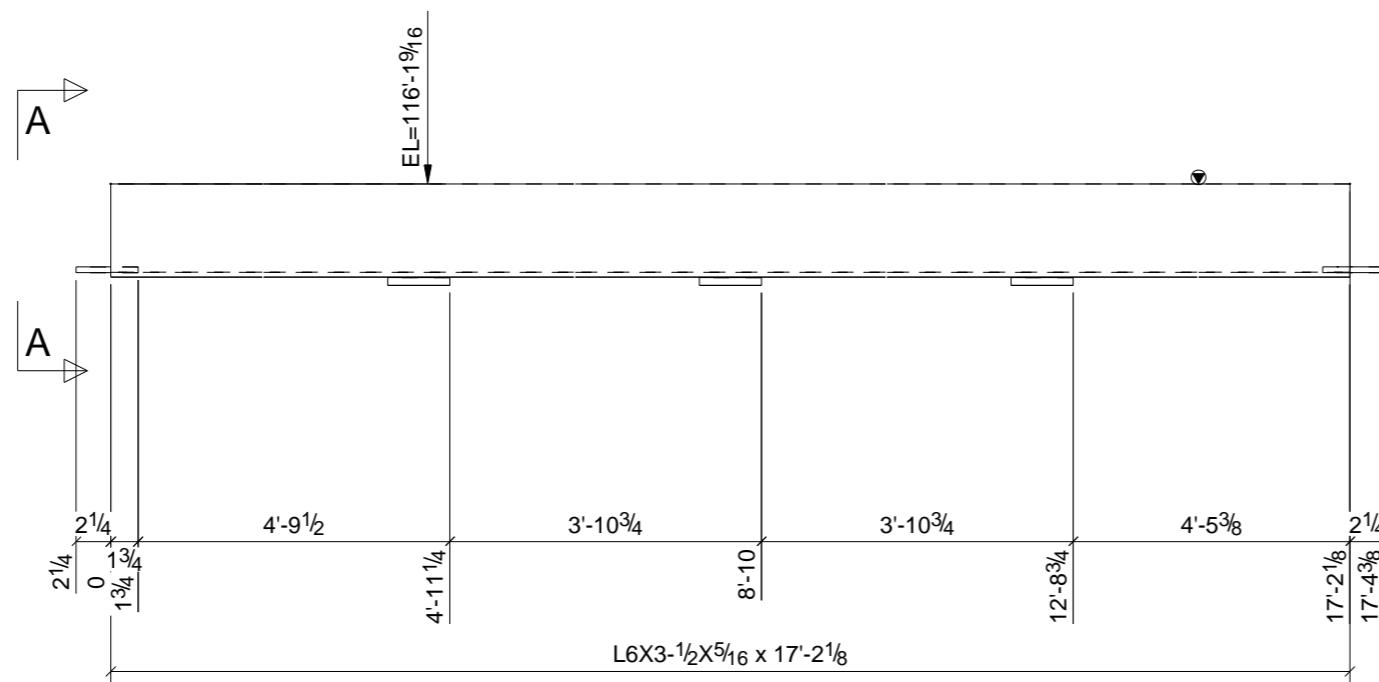
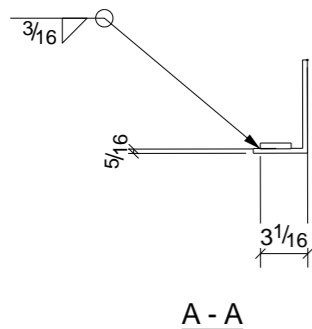
A	For Approval	05/13/10	TMc	
0	For Fabrication F&F	6/24/10	TMc	TH
REV.	DESCRIPTION	DATE	DWN	CHK

GENERAL NOTES			JOB USE
MATERIAL: A992 / A36	ELECTRODES: E70XX LH	REF. DRG.	
HOLES: 13/16 DIA. U/N	CONN'S.: -		SHOP
SURFACE PREP. SSPC-SP-2 AND PAINT: GREY PRIMER DEVOE NA-195 (U.N.)			APPROVAL

DESCRIPTION:	ANGLE
PROJECT NAME	Ross Middle School Addition/Remodel
LOCATION	Ross Local School District - Hamilton, O
CONTRACTOR	Endeavor

BILL OF MATERIAL						
SHIP	MARK	NO PCS	DESCRIPTION	LENGTH	PIECE MARK	REMARKS
1	17A3	1	L6X3-1/2X5/16	9'-7 7/16"		SQ-1/BEV-1 A36 GALVANIZED
		1	BAR3/8"X2"	0'-4"	p17	A36

Avenue Fabricating Inc. 1281 Clough Pike Batavia, OH 45103 (513) 752-1911		DRAWN BY	DATE	
		TMc	06/27/2010	
		CHKD. BY	DATE	
TAN	06/24/2010	JOB No.	DRG. No.	REV.
10-11	17A3			2



PHASE				
1	2	3	4	5
1	0	0	0	0

ONE - ANGLE - 17A4

FINISH: GALVANIZED

BILL OF MATERIAL

SHIP	MARK	NO PCS	DESCRIPTION	LENGTH	PIECE MARK	REMARKS
1	17A4	1	L6X3-1/2X5/16	17'-2 1/8"		SQ-2 A36 GALVANIZED
		2	BAR3/8"X2"	0'-4"	p17	A36
		3	BAR1/2"X4"	0'-4"	p29	A36

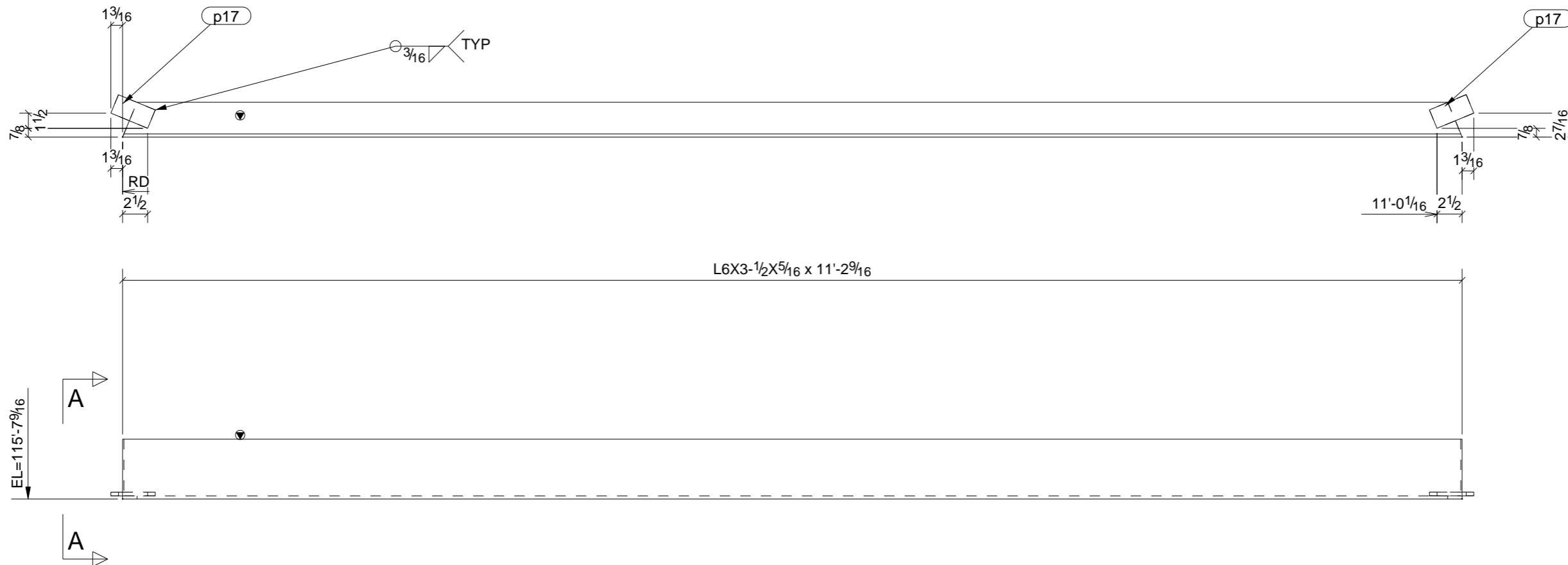
A	For Approval	05/13/10	TMc	
0	For Fabrication F&F	6/24/10	TMc	TH
REV.	DESCRIPTION	DATE	DWN	CHK

GENERAL NOTES

MATERIAL: A992 / A36	ELECTRODES: E70XX LH	REF. DRG.	JOB USE
HOLES: 13/16 DIA. U/N	CONN'S.: -		SHOP
SURFACE PREP. SSPC-SP-2 AND PAINT: GREY PRIMER DEVOE NA-195 (U.N.)			APPROVAL
DESCRIPTION: ANGLE			
PROJECT NAME: Ross Middle School Addition/Remodel			
LOCATION: Ross Local School District - Hamilton, O			
CONTRACTOR: Endeavor			

Avenue Fabricating Inc.
1281 Clough Pike
Batavia, OH 45103
(513) 752-1911

DRAWN BY TMc	DATE 06/27/2010
CHKD. BY TAN	DATE 06/24/2010
JOB No. 10-11	DRG. No. 17A4
	REV. 2



ONE - ANGLE - 17A6

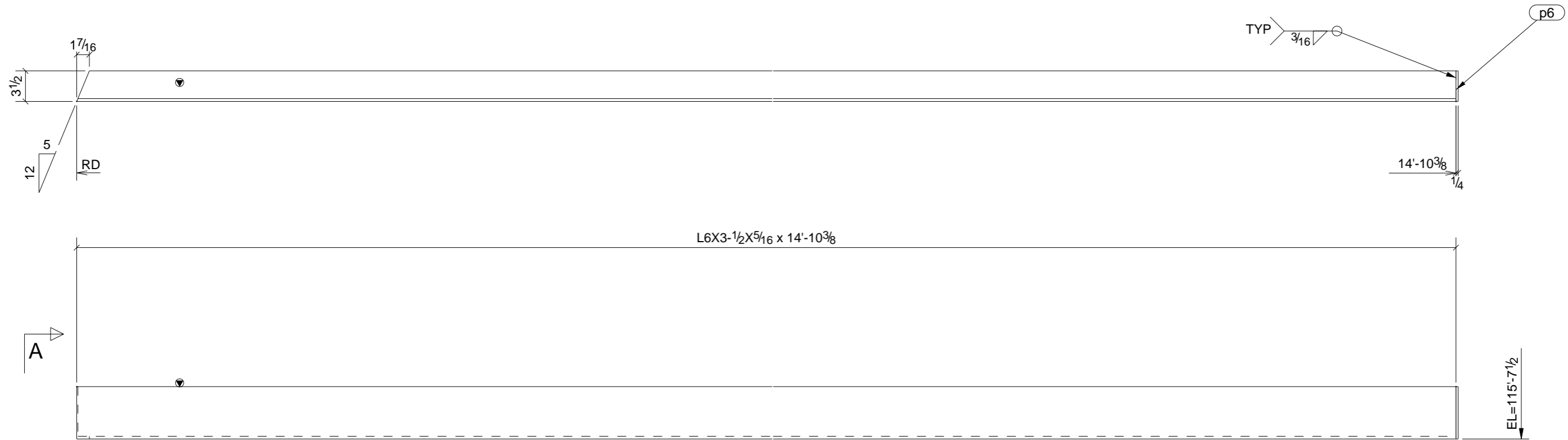
FINISH: GALVANIZED

PHASE				
1	2	3	4	5
1	0	0	0	0

BILL OF MATERIAL

SHIP	MARK	NO PCS	DESCRIPTION	LENGTH	PIECE MARK	REMARKS
1	17A6	1	L6X3-1/2X5/16	11'-2 9/16"		BEV-2 A36 GALVANIZED
		2	BAR3/8"X2"	0'-4"	p17	A36

A	For Approval	05/13/10	TMc	
0	For Fabrication F&F	6/24/10	TMc	TH
REV.	DESCRIPTION	DATE	DWN	CHK
GENERAL NOTES			JOB USE	
MATERIAL: A992 / A36	ELECTRODES: E70XX LH	REF. DRG.	SHOP	
HOLES: 13/16 DIA. U/N	CONN'S.: -		APPROVAL	
SURFACE PREP. SSPC-SP-2 AND PAINT: GREY PRIMER DEVOE NA-195 (U.N.)				
DESCRIPTION: ANGLE				
PROJECT NAME: Ross Middle School Addition/Remodel				
LOCATION: Ross Local School District - Hamilton, O				
CONTRACTOR: Endeavor				
Avenue Fabricating Inc. 1281 Clough Pike Batavia, OH 45103 (513) 752-1911		DRAWN BY: TMc		DATE: 06/27/2010
		CHKD. BY: TAN		DATE: 06/24/2010
		JOB No. 10-11	DRG. No. 17A6	REV. 2



L6X3-1/2X5/16 x 14'-10 3/8

A

A

A - A

ONE - ANGLE - 17A7

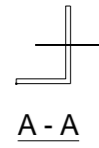
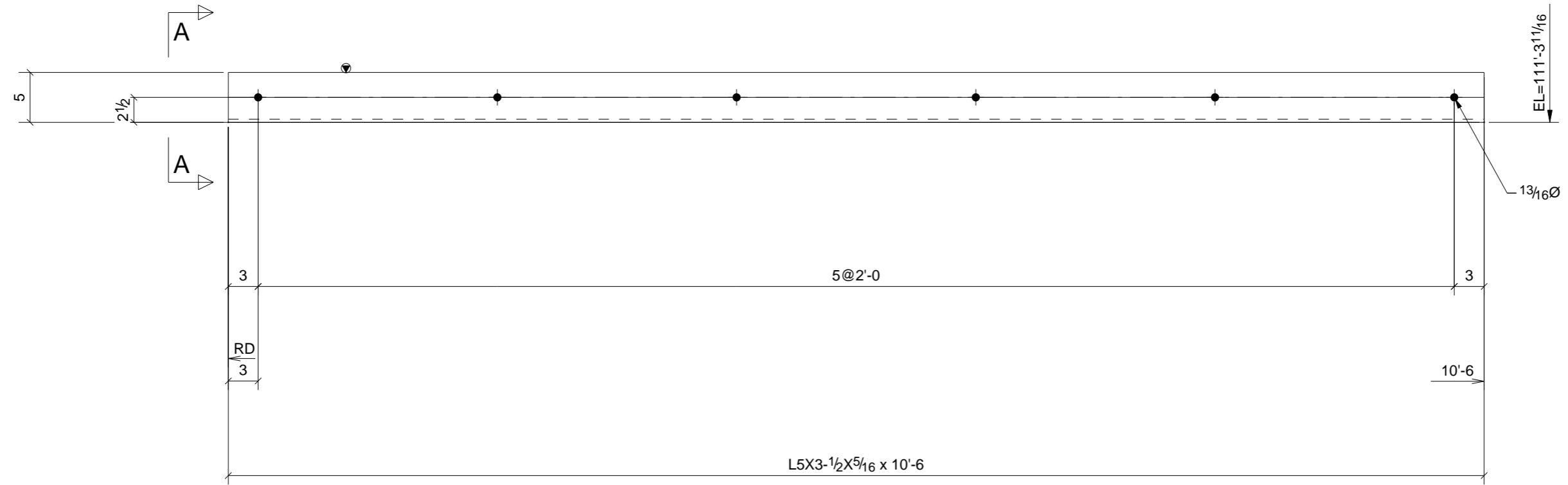
FINISH: GALVANIZED

PHASE				
1	2	3	4	5
1	0	0	0	0

BILL OF MATERIAL

SHIP	MARK	NO PCS	DESCRIPTION	LENGTH	PIECE MARK	REMARKS
1	17A7	1	L6X3-1/2X5/16	14'-10 3/8"		SQ-1/BEV-1 A36 GALVANIZED
		1	BAR1/4"X3 1/2"	0'-6"	p6	A36

A	For Approval	05/13/10	TMc	
0	For Fabrication F&F	6/24/10	TMc	TH
REV.	DESCRIPTION	DATE	DWN	CHK
GENERAL NOTES			JOB USE	
MATERIAL: A992 / A36	ELECTRODES: E70XX LH	REF. DRG.	SHOP	
HOLES: 13/16 DIA. U/N	CONN'S.: -		APPROVAL	
SURFACE PREP. SSPC-SP-2 AND PAINT: GREY PRIMER DEVOE NA-195 (U.N.)				
DESCRIPTION: ANGLE				
PROJECT NAME Ross Middle School Addition/Remodel LOCATION Ross Local School District - Hamilton, O				
CONTRACTOR Endeavor				
Avenue Fabricating Inc. 1281 Clough Pike Batavia, OH 45103 (513) 752-1911			DRAWN BY TMc	DATE 06/27/2010
			CHKD. BY TAN	DATE 06/24/2010
			JOB No. 10-11	DRG. No. 17A7 REV. 2



ONE - ANGLE - 17A8

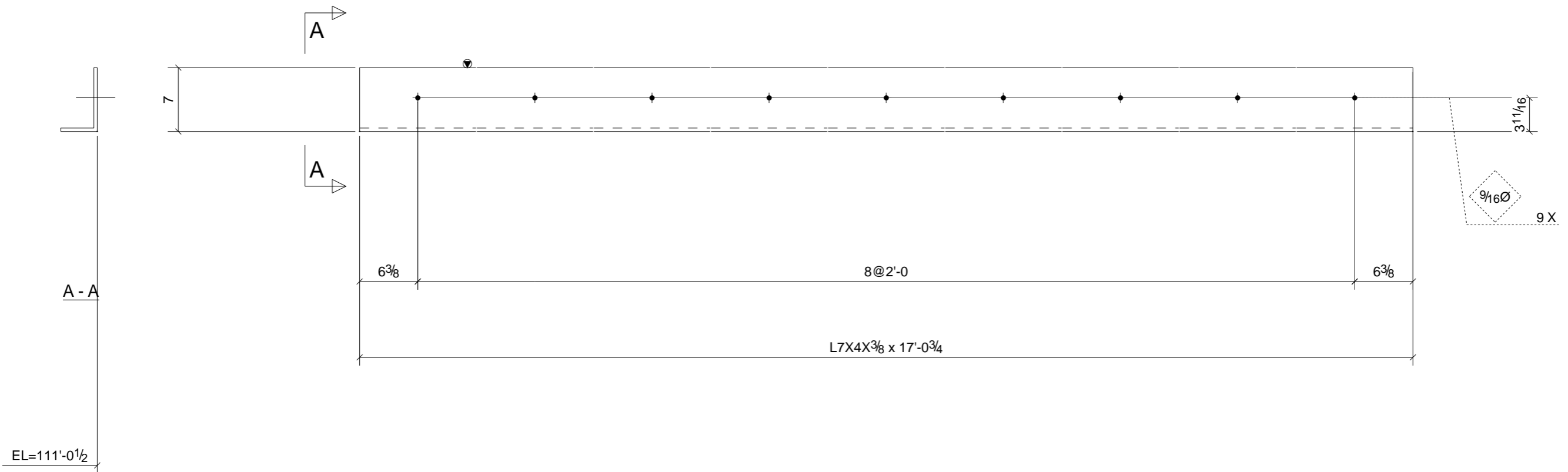
PHASE				
1	2	3	4	5
1	0	0	0	0

A	For Approval	05/13/10	TMc	
0	For Fabrication F&F	6/24/10	TMc	TH
REV.	DESCRIPTION	DATE	DWN	CHK

GENERAL NOTES			JOB USE	
MATERIAL: A992 / A36	ELECTRODES: E70XX LH	REF. DRG.		
HOLES: 13/16 DIA. U/N	CONN'S.: -		SHOP	
SURFACE PREP. SSPC-SP-2 AND PAINT: GREY PRIMER DEVOE NA-195 (U.N.)			APPROVAL	
DESCRIPTION: ANGLE				
PROJECT NAME Ross Middle School Addition/Remodel				
LOCATION Ross Local School District - Hamilton, O				
CONTRACTOR Endeavor				

BILL OF MATERIAL						
SHIP	MARK	NO PCS	DESCRIPTION	LENGTH	PIECE MARK	REMARKS
1	17A8	1	L5X3-1/2X5/16	10'-6"		SQ-2 A36 PRIMED

Avenue Fabricating Inc. 1281 Clough Pike Batavia, OH 45103 (513) 752-1911		DRAWN BY TMc	DATE 06/27/2010
		CHKD. BY TAN	DATE 06/24/2010
		JOB No. 10-11	DRG. No. 17A8



EL=111'-0 1/2

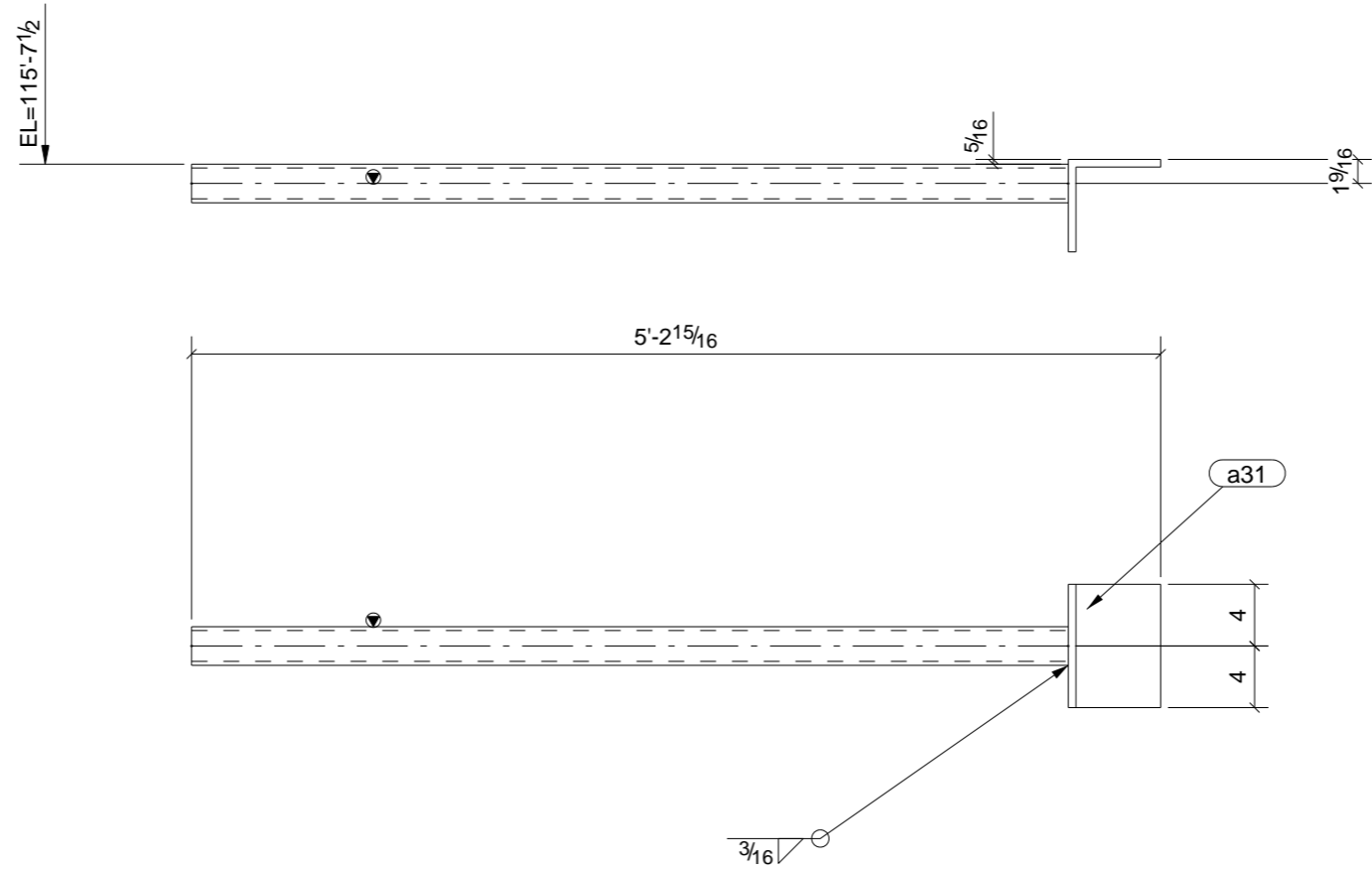
8 - ANGLES - 17A9

PHASE				
1	2	3	4	5
8	0	0	0	0

A	For Approval	05/13/10	TMc	
0	For Fabrication F&F	6/24/10	TMc	TH
REV.	DESCRIPTION	DATE	DWN	CHK
GENERAL NOTES			JOB USE	
MATERIAL: A992 / A36	ELECTRODES: E70XX LH	REF. DRG.	SHOP	
HOLES: 13/16 DIA. U/N	CONN'S.: -		APPROVAL	
SURFACE PREP. SSPC-SP-2 AND PAINT: GREY PRIMER DEVOE NA-195 (U.N.)				
DESCRIPTION: ANGLE				
PROJECT NAME Ross Middle School Addition/Remodel LOCATION Ross Local School District - Hamilton, O				
CONTRACTOR Endeavor				
Avenue Fabricating Inc. 1281 Clough Pike Batavia, OH 45103 (513) 752-1911			DRAWN BY TMc	
			DATE 06/27/2010	
			CHKD. BY TAN	
		DATE 06/24/2010		
SHIP No. 10-11		DRG. No. 17A9		REV. 2

BILL OF MATERIAL

SHIP	MARK	NO PCS	DESCRIPTION	LENGTH	PIECE MARK	REMARKS
8	17A9	8	L7X4X3/8	17'-0 3/4"		SQ-2 A36 PRIMED



FINISH: GALVANIZED

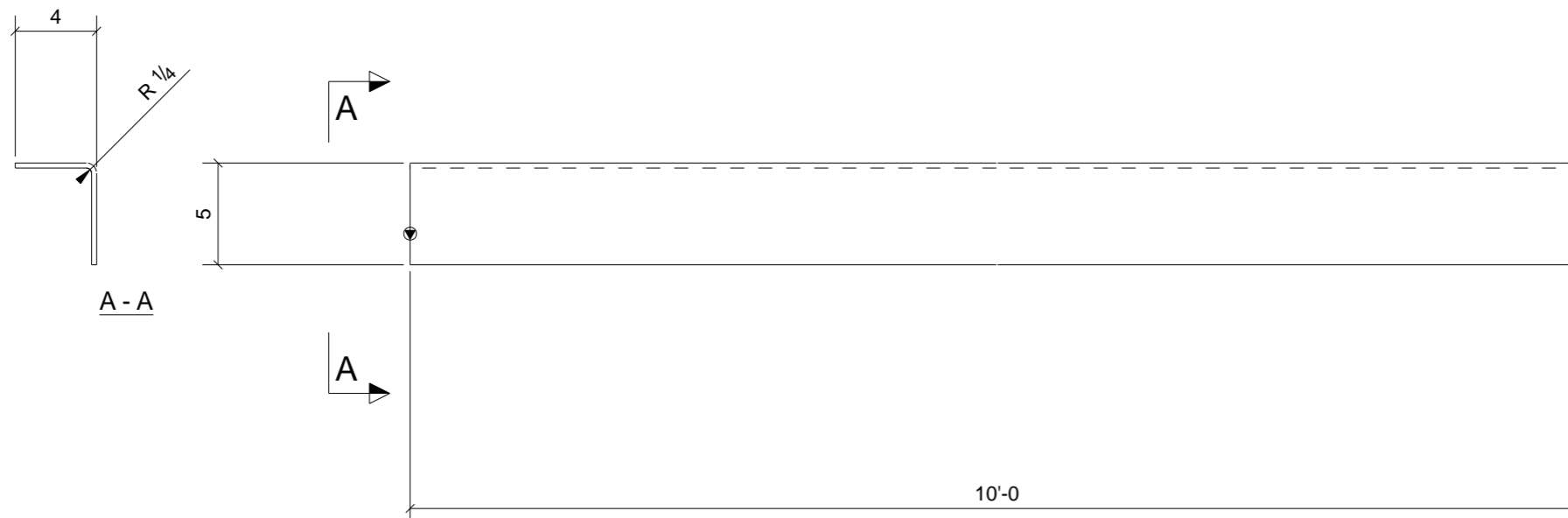
11 - HORIZONTAL HSS BRACES - 17M1

PHASE				
1	2	3	4	5
11	0	0	0	0

BILL OF MATERIAL

SHIP	MARK	NO PCS	DESCRIPTION	LENGTH	PIECE MARK	REMARKS
11	17M1	11	HSS2-1/2X2-1/2X1/4	4'-8 15/16"		SQ-2 A500-GR.B GALVANIZED
		11	L6X6X1/2	0'-8"	a31	A36

A	For Approval	05/17/10	TMc	
0	For Fabrication F&F	6/24/10	TMc	TH
REV.	DESCRIPTION	DATE	DWN	CHK
GENERAL NOTES			JOB USE	
MATERIAL: A992 / A36	ELECTRODES: E70XX LH	REF. DRG.		SHOP
HOLES: 13/16 DIA. U/N	CONN'S.: -			APPROVAL
SURFACE PREP: SSPC-SP-2				
AND PAINT: GREY PRIMER DEVOE NA-195 (U.N.)				
DESCRIPTION: HSS BRACE				
PROJECT NAME: Ross Middle School Addition/Remodel				
LOCATION: Ross Local School District - Hamilton, O				
CONTRACTOR: Endeavor				
Avenue Fabricating Inc. 1281 Clough Pike Batavia, OH 45103 (513) 752-1911		DRAWN BY: TMc		DATE: 05/17/2010
		CHKD. BY: TAN		DATE: 06/24/2010
		JOB No. 10-11	DRG. No. 17M1	REV. 2



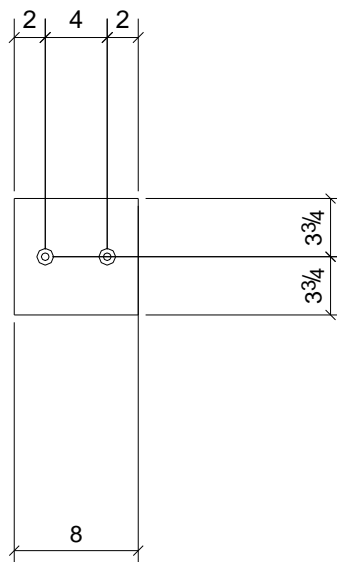
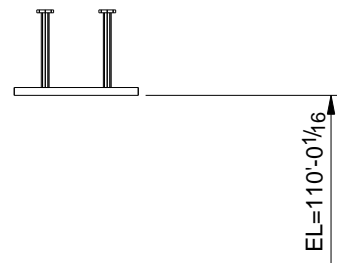
18 - BENT PLATES - 17M61

PHASE				
1	2	3	4	5
18	0	0	0	0

A	For Approval	05/13/10	TMc	
0	For Fabrication F&F	6/24/10	TMc	TH
REV.	DESCRIPTION	DATE	DWN	CHK
GENERAL NOTES			JOB USE	
MATERIAL: A992 / A36	ELECTRODES: E70XX LH	REF. DRG.	SHOP	
HOLES: 13/16 DIA. U/N	CONN'S.: -		APPROVAL	
SURFACE PREP. SSPC-SP-2 AND PAINT: GREY PRIMER DEVOE NA-195 (U.N.)				
DESCRIPTION: BENT PLATE				
PROJECT NAME Ross Middle School Addition/Remodel LOCATION Ross Local School District - Hamilton, O				
CONTRACTOR Endeavor				
		Avenue Fabricating Inc. 1281 Clough Pike Batavia, OH 45103 (513) 752-1911		
		DRAWN BY TMc	DATE 06/27/2010	
		CHKD. BY TAN	DATE 06/24/2010	
		JOB No. 10-11	DRG. No. 17M61	REV. 2

BILL OF MATERIAL

SHIP	MARK	NO PCS	DESCRIPTION	LENGTH	PIECE MARK	REMARKS
18	17M61	18	PL1/4"X8 13/16"	10'-0"		SQ-2 A36 PRIMED



FINISH: NO PAINT

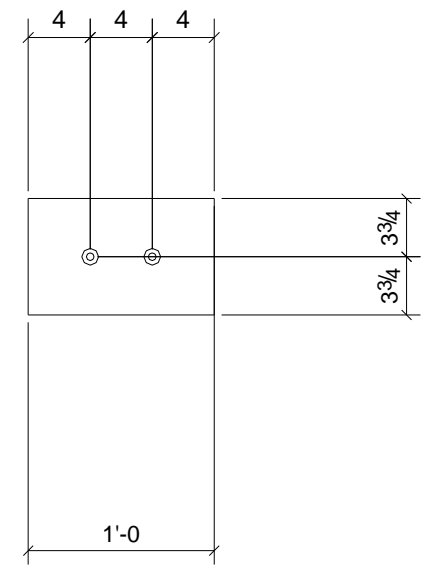
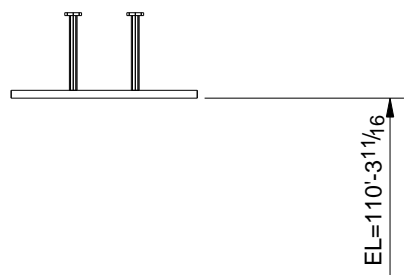
2 - EMBEDS - 21P1

PHASE				
1	2	3	4	5
0	2	0	0	0

BILL OF MATERIAL

SHIP	MARK	NO PCS	DESCRIPTION	LENGTH	PIECE MARK	REMARKS
2	21P1	2	BAR 1/2" X 7 1/2"	0'-8"		SQ-2 A36 NO PAINT
		4	STUD 1/2" DIA	0'-5"		

A	For Approval	06/18/10	TMc	TAN
REV.	DESCRIPTION	DATE	DWN	CHK
GENERAL NOTES			JOB USE	
MATERIAL: A992 / A36	ELECTRODES: E70XX LH	REF. DRG.	SHOP	
HOLES: 13/16 DIA. U/N	CONN'S.: -		APPROVAL	
SURFACE PREP. SSPC-SP-2 AND PAINT: GREY PRIMER DEVOE NA-195 (U.N.)				
DESCRIPTION: EMBED PLATE				
PROJECT NAME Ross Middle School Addition/Remodel LOCATION Ross Local School District - Hamilton, O				
CONTRACTOR Endeavor				
Avenue Fabricating Inc. 1281 Clough Pike Batavia, OH 45103 (513) 752-1911			DRAWN BY TMc	DATE 06/18/2010
			CHKD. BY TAN	DATE
			JOB No. 10-11	DRG. No. 21P1
				REV. 1



FINISH: NO PAINT

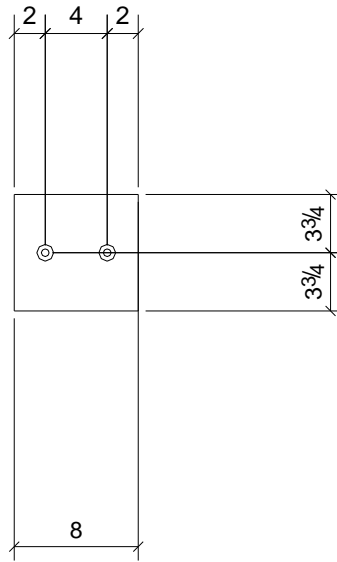
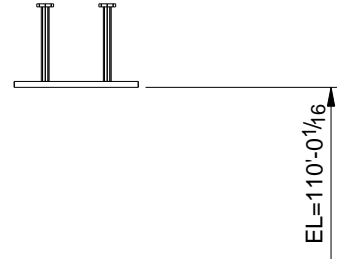
7 - EMBEDS - 21P2

PHASE				
1	2	3	4	5
0	7	0	0	0

BILL OF MATERIAL

SHIP	MARK	NO PCS	DESCRIPTION	LENGTH	PIECE MARK	REMARKS
7	21P2	7	BAR 1/2" X 7 1/2"	1'-0"		SQ-2 A36 NO PAINT
		14	STUD 1/2" DIA	0'-5"		

A	For Approval	06/18/10	TMc	TAN
REV.	DESCRIPTION	DATE	DWN	CHK
GENERAL NOTES			JOB USE	
MATERIAL: A992 / A36	ELECTRODES: E70XX LH	REF. DRG.	SHOP	
HOLES: 13/16 DIA. U/N	CONN'S.: -		APPROVAL	
SURFACE PREP. SSPC-SP-2 AND PAINT: GREY PRIMER DEVOE NA-195 (U.N.)				
DESCRIPTION:	EMBED PLATE			
PROJECT NAME	Ross Middle School Addition/Remodel			
LOCATION	Ross Local School District - Hamilton, O			
CONTRACTOR	Endeavor			
Avenue Fabricating Inc. 1281 Clough Pike Batavia, OH 45103 (513) 752-1911		DRAWN BY TMc	DATE 06/18/2010	
		CHKD. BY TAN	DATE	
		JOB No. 10-11	DRG. No. 21P2	REV. 1



FINISH: NO PAINT

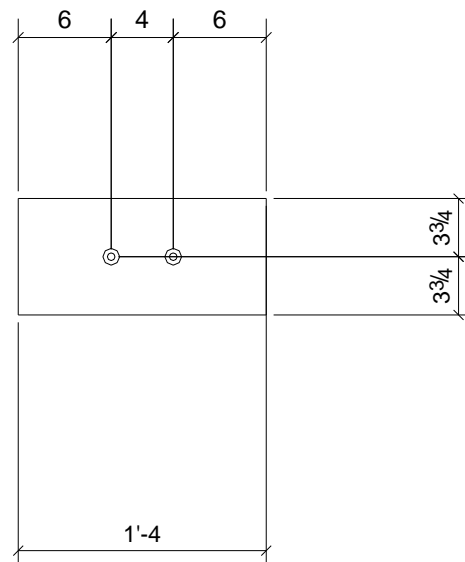
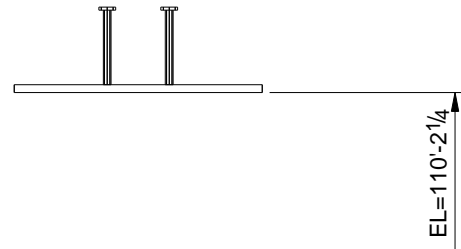
PHASE				
1	2	3	4	5
0	7	0	0	0

7 - EMBEDS - 21P3

BILL OF MATERIAL

SHIP	MARK	NO PCS	DESCRIPTION	LENGTH	PIECE MARK	REMARKS
7	21P3	7	BAR3/8"X7 1/2"	0'-8"		SQ-2 A36 NO PAINT
		14	STUD 1/2" DIA	0'-5"		

A	For Approval	06/18/10	TMc	TAN
REV.	DESCRIPTION	DATE	DWN	CHK
GENERAL NOTES			JOB USE	
MATERIAL: A992 / A36	ELECTRODES: E70XX LH	REF. DRG.	SHOP	
HOLES: 13/16 DIA. U/N	CONN'S.: -		APPROVAL	
SURFACE PREP. SSPC-SP-2 AND PAINT: GREY PRIMER DEVOE NA-195 (U.N.)				
DESCRIPTION: EMBED PLATE				
PROJECT NAME Ross Middle School Addition/Remodel LOCATION Ross Local School District - Hamilton, O				
CONTRACTOR Endeavor				
Avenue Fabricating Inc. 1281 Clough Pike Batavia, OH 45103 (513) 752-1911			DRAWN BY	DATE
			TMc	06/18/2010
			CHKD. BY	DATE
TAN				
JOB No.	DRG. No.	REV.		
10-11	21P3	1		



FINISH: NO PAINT

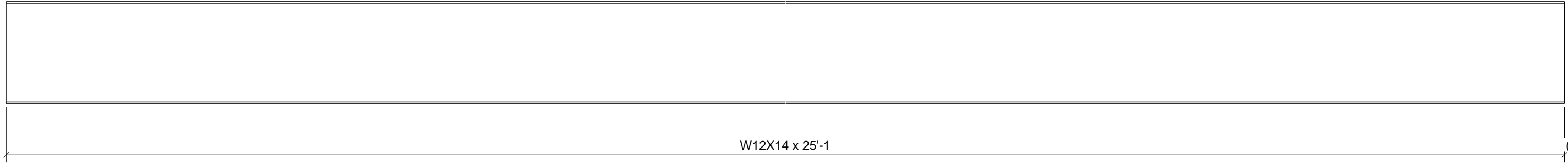
4 - EMBEDS - 21P4

PHASE				
1	2	3	4	5
0	4	0	0	0

BILL OF MATERIAL

SHIP	MARK	NO PCS	DESCRIPTION	LENGTH	PIECE MARK	REMARKS
4	21P4	4	BAR 1/2" X 7 1/2"	1'-4"		SQ-2 A36 NO PAINT
		8	STUD 1/2" DIA	0'-5"		

A	For Approval	06/18/10	TMc	TAN
REV.	DESCRIPTION	DATE	DWN	CHK
GENERAL NOTES			JOB USE	
MATERIAL: A992 / A36	ELECTRODES: E70XX LH	REF. DRG.	SHOP	
HOLES: 13/16 DIA. U/N	CONN'S.: -		APPROVAL	
SURFACE PREP. SSPC-SP-2 AND PAINT: GREY PRIMER DEVOE NA-195 (U.N.)				
DESCRIPTION:	EMBED PLATE			
PROJECT NAME	Ross Middle School Addition/Remodel			
LOCATION	Ross Local School District - Hamilton, O			
CONTRACTOR	Endeavor			
Avenue Fabricating Inc. 1281 Clough Pike Batavia, OH 45103 (513) 752-1911		DRAWN BY	DATE	
		TMc	06/18/2010	
		CHKD. BY	DATE	
TAN				
JOB No.	DRG. No.	REV.		
10-11	21P4	1		



PHASE				
1	2	3	4	5
0	2	0	0	0

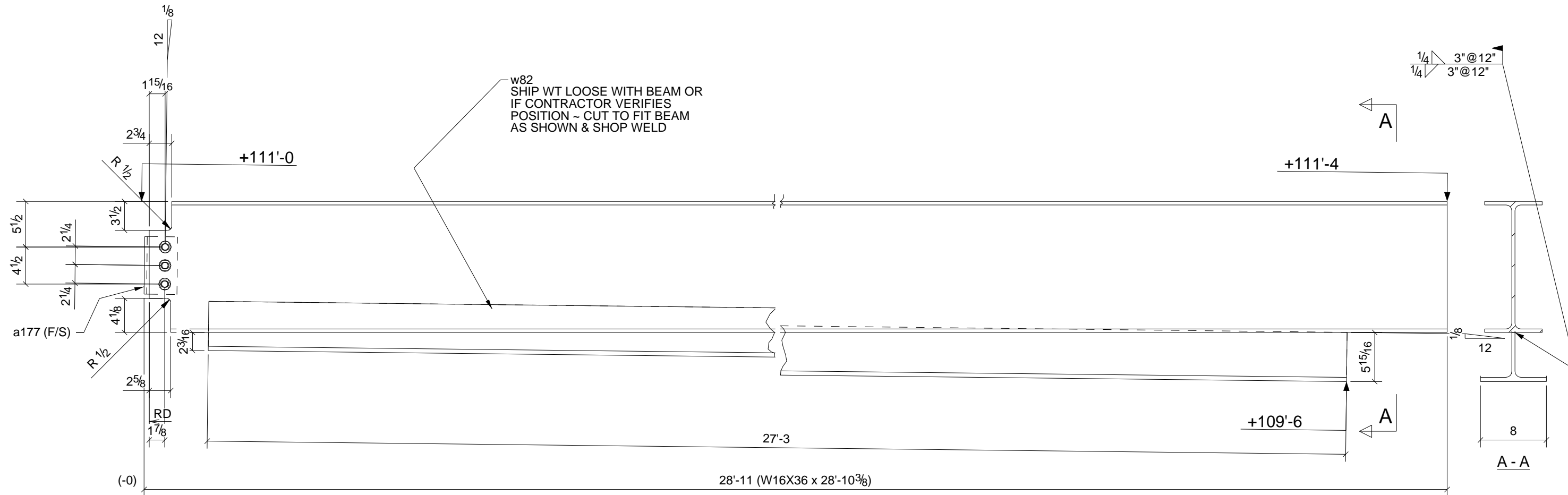
2 - BEAMS - 25B1

W | 11 7/8" x 3/16"
F | 4" x 1/4"

A	For Approval	06/18/10	TMc	TAN
REV.	DESCRIPTION	DATE	DWN	CHK
GENERAL NOTES			JOB USE	
MATERIAL: A992 / A36	ELECTRODES: E70XX LH	REF. DRG.	SHOP	
HOLES: 13/16 DIA. U/N	CONN'S.: -		APPROVAL	
SURFACE PREP. SSPC-SP-2 AND PAINT: GREY PRIMER DEVOE NA-195 (U.N.)				
DESCRIPTION: BEAM				
PROJECT NAME Ross Middle School Addition/Remodel LOCATION Ross Local School District - Hamilton, O				
CONTRACTOR Endeavor				
		Avenue Fabricating Inc. 1281 Clough Pike Batavia, OH 45103 (513) 752-1911		DRAWN BY TMc DATE 06/18/2010
				CHKD. BY TAN DATE
		JOB No. 10-11		DRG. No. 25B1 REV. 1

BILL OF MATERIAL

SHIP	MARK	NO PCS	DESCRIPTION	LENGTH	PIECE MARK	REMARKS
2	25B1	2	W12X14	25'-1"		SQ-2 A992



ONE - BEAM - 25B10

PHASE				
1	2	3	4	5
0	1	0	0	0

W	15 7/8" x 1/4"
F	7" x 7/16"

A	For Approval	06/18/10	TMc	TAN
REV.	DESCRIPTION	DATE	DWN	CHK

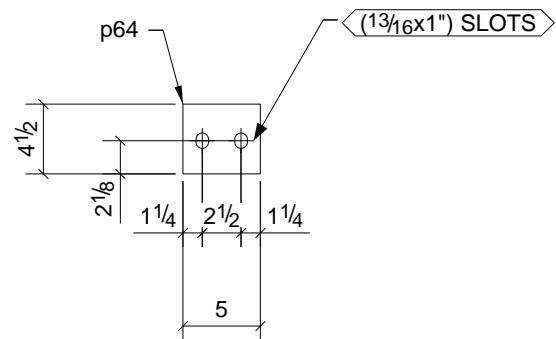
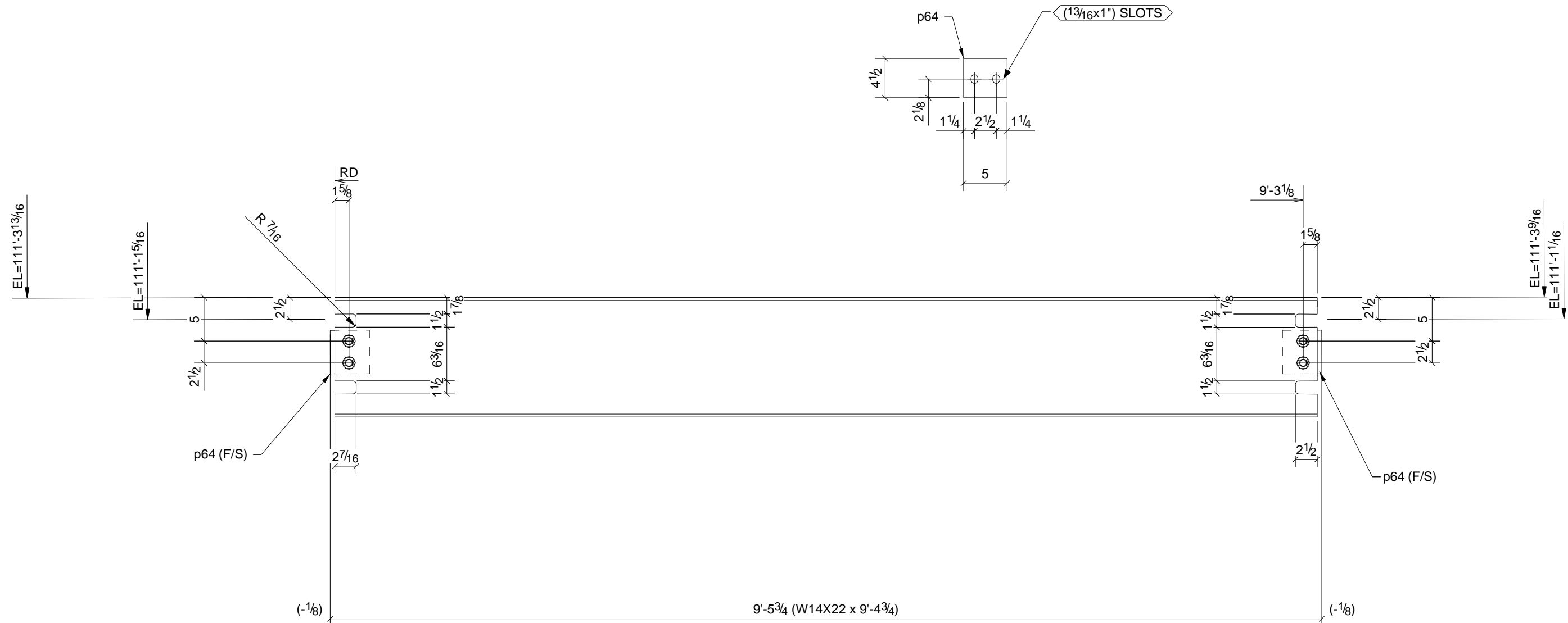
GENERAL NOTES			JOB USE
MATERIAL: A992 / A36	ELECTRODES: E70XX LH	REF. DRG.	SHOP
HOLES: 13/16 DIA. U/N	CONN'S.: -		APPROVAL
SURFACE PREP. SSPC-SP-2 AND PAINT: GREY PRIMER DEVOE NA-195 (U.N.)			

DESCRIPTION:	BEAM
PROJECT NAME	Ross Middle School Addition/Remodel
LOCATION	Ross Local School District - Hamilton, O
CONTRACTOR	Endeavor

BILL OF MATERIAL

SHIP	MARK	NO PCS	DESCRIPTION	LENGTH	PIECE MARK	REMARKS
1	25B10	1	W16X36	28'-10 3/8"		SQ-2 A992
		1	L4X3-1/2X5/16	0'-7"	a177	A36
		1	WT6X20	27'-3"	w82	A992
		3	3/4"Ø A325N BOLT	0'-2"		

<p>Avenue Fabricating Inc. 1281 Clough Pike Batavia, OH 45103 (513) 752-1911</p>		DRAWN BY	DATE	
		CHKD. BY	DATE	
		JOB No.	DRG. No.	REV.
		10-11	25B10	1



ONE - BEAM - 25B11

PHASE				
1	2	3	4	5
0	1	0	0	0

W | 13 11/16" x 1/4"
F | 5" x 5/16"

BILL OF MATERIAL

SHIP	MARK	NO PCS	DESCRIPTION	LENGTH	PIECE MARK	REMARKS
1	25B11	1	W14X22	9'-4 3/4"		SQ-2 A992
		2	BAR3/8"X4 1/2"	0'-5"	p64	A36
		4	3/4"Ø A325N BOLT	0'-1 3/4"		

A	For Approval	06/18/10	TMc	TAN
REV.	DESCRIPTION	DATE	DWN	CHK
GENERAL NOTES		JOB USE		
MATERIAL: A992 / A36	ELECTRODES: E70XX LH	REF. DRG.		
HOLES: 13/16 DIA. U/N	CONN'S.: -	SHOP		
SURFACE PREP: SSPC-SP-2 AND PAINT: GREY PRIMER DEVOE NA-195 (U.N.)		APPROVAL		
DESCRIPTION: BEAM				
PROJECT NAME: Ross Middle School Addition/Remodel				
LOCATION: Ross Local School District - Hamilton, O				
CONTRACTOR: Endeavor				
<p style="text-align: center;">Avenue Fabricating Inc. 1281 Clough Pike Batavia, OH 45103 (513) 752-1911</p>		DRAWN BY: TMc		DATE: 06/19/2010
		CHKD. BY: TAN		DATE:
		JOB No. 10-11	DRG. No. 25B11	REV. 1



ONE - BEAM - 25B12

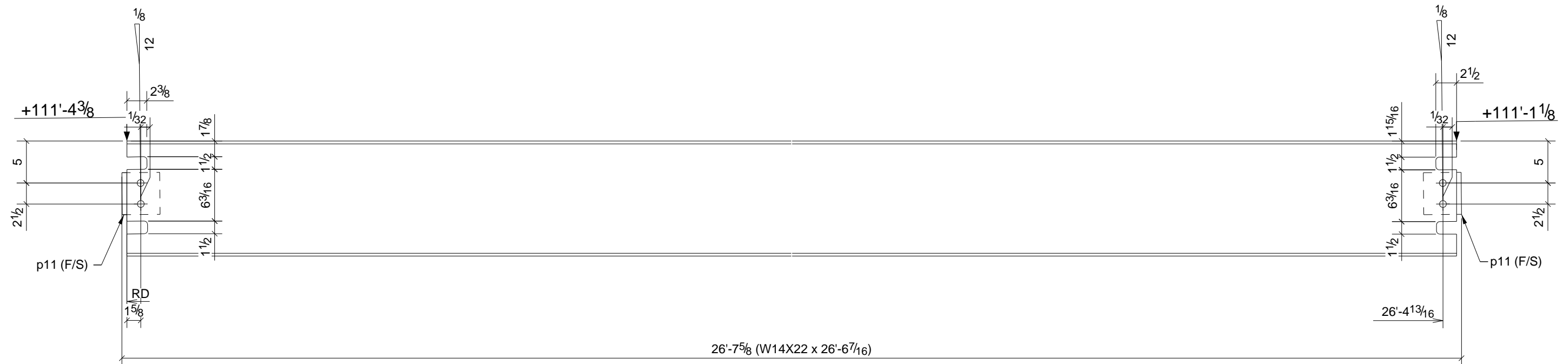
PHASE				
1	2	3	4	5
0	1	0	0	0

W | 13 11/16" x 1/4"
F | 5" x 5/16"

BILL OF MATERIAL

SHIP	MARK	NO PCS	DESCRIPTION	LENGTH	PIECE MARK	REMARKS
1	25B12	1	W14X22	20'-10 7/16"		SQ-2 A992
		2	BAR3/8"X4 1/2"	0'-5"	p64	A36
		4	3/4"Ø A325N BOLT	0'-1 3/4"		

A	For Approval	06/18/10	TMc	TAN
REV.	DESCRIPTION	DATE	DWN	CHK
GENERAL NOTES			JOB USE	
MATERIAL: A992 / A36	ELECTRODES: E70XX LH	REF. DRG.		
HOLES: 13/16 DIA. U/N	CONN'S.: -	SHOP		
SURFACE PREP. SSPC-SP-2 AND PAINT: GREY PRIMER DEVOE NA-195 (U.N.)			APPROVAL	
DESCRIPTION: BEAM				
PROJECT NAME: Ross Middle School Addition/Remodel				
LOCATION: Ross Local School District - Hamilton, O				
CONTRACTOR: Endeavor				
<p style="text-align: center;">Avenue Fabricating Inc. 1281 Clough Pike Batavia, OH 45103 (513) 752-1911</p>		DRAWN BY: TMc		DATE: 06/20/2010
		CHKD. BY: TAN		DATE:
		JOB No. 10-11	DRG. No. 25B12	REV. 1



ONE - BEAM - 25B13

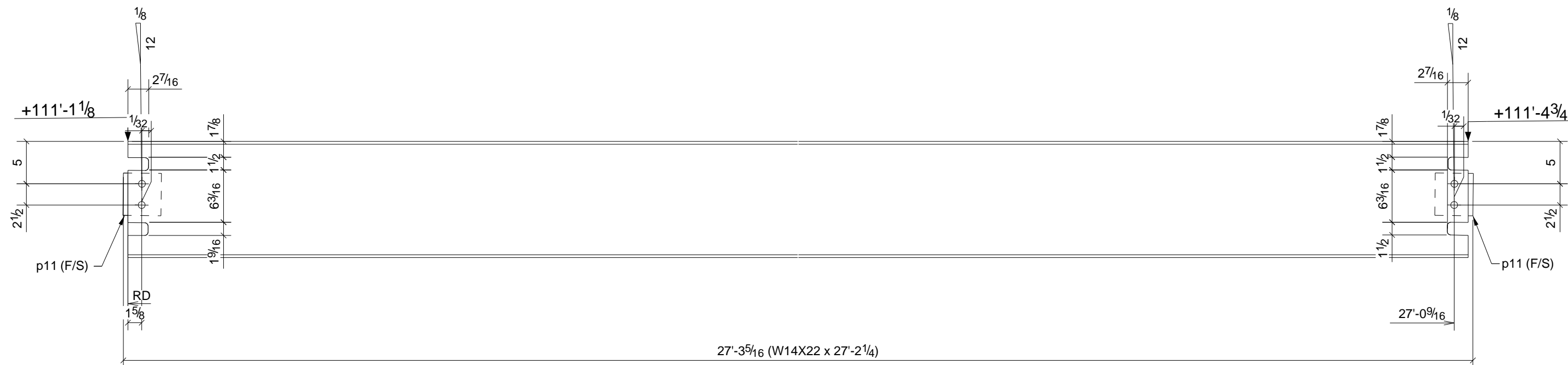
PHASE				
1	2	3	4	5
0	1	0	0	0

W | 13 11/16" x 1/4"
F | 5" x 5/16"

BILL OF MATERIAL

SHIP	MARK	NO PCS	DESCRIPTION	LENGTH	PIECE MARK	REMARKS
1	25B13	1	W14X22	26'-6 7/16"		SQ-2 A992
		2	BAR3/8"X4 1/2"	0'-5"	p11	A36
		4	3/4"Ø A325N BOLT	0'-1 3/4"		

A	For Approval	06/18/10	TMc	TAN
REV.	DESCRIPTION	DATE	DWN	CHK
GENERAL NOTES		JOB USE		
MATERIAL: A992 / A36	ELECTRODES: E70XX LH	REF. DRG.		
HOLES: 13/16 DIA. U/N	CONN'S.: -	SHOP		
SURFACE PREP. SSPC-SP-2 AND PAINT: GREY PRIMER DEVOE NA-195 (U.N.)		APPROVAL		
DESCRIPTION:	BEAM			
PROJECT NAME	Ross Middle School Addition/Remodel			
LOCATION	Ross Local School District - Hamilton, O			
CONTRACTOR	Endeavor			
Avenue Fabricating Inc.		DRAWN BY	DATE	
1281 Clough Pike Batavia, OH 45103 (513) 752-1911		TMc	06/20/2010	
		CHKD. BY	DATE	
		TAN		
		JOB No.	DRG. No.	REV.
		10-11	25B13	1



ONE - BEAM - 25B14

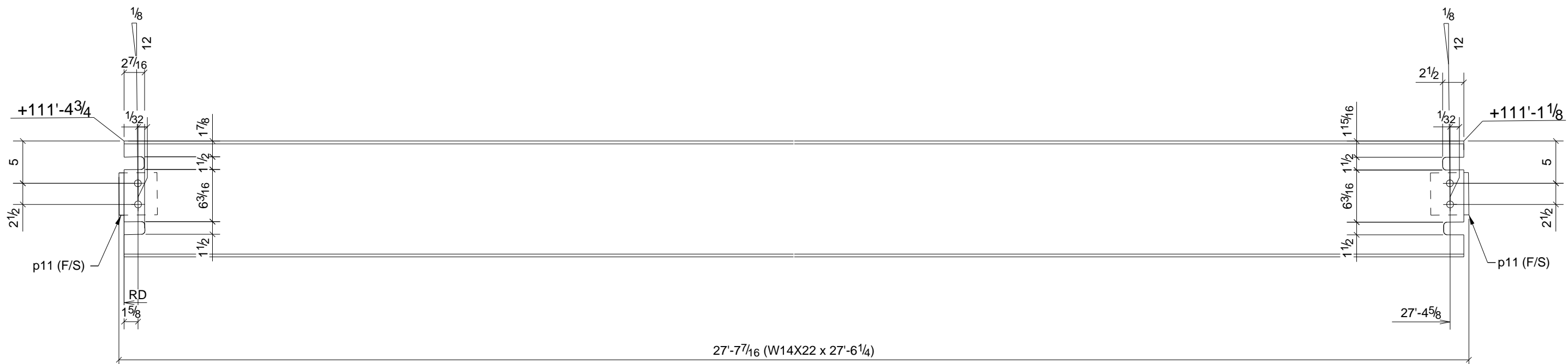
PHASE				
1	2	3	4	5
0	1	0	0	0

W | 13 11/16" x 1/4"
F | 5" x 5/16"

BILL OF MATERIAL

SHIP	MARK	NO PCS	DESCRIPTION	LENGTH	PIECE MARK	REMARKS
1	25B14	1	W14X22	27'-2 1/4"		SQ-2 A992
		2	BAR3/8"X4 1/2"	0'-5"	p11	A36
		4	3/4"Ø A325N BOLT	0'-1 3/4"		

A	For Approval	06/18/10	TMc	TAN
REV.	DESCRIPTION	DATE	DWN	CHK
GENERAL NOTES			JOB USE	
MATERIAL: A992 / A36	ELECTRODES: E70XX LH	REF. DRG.	SHOP	
HOLES: 13/16 DIA. U/N	CONN'S.: -		APPROVAL	
SURFACE PREP. SSPC-SP-2 AND PAINT: GREY PRIMER DEVOE NA-195 (U.N.)				
DESCRIPTION:	BEAM			
PROJECT NAME	Ross Middle School Addition/Remodel			
LOCATION	Ross Local School District - Hamilton, O			
CONTRACTOR	Endeavor			
Avenue Fabricating Inc. 1281 Clough Pike Batavia, OH 45103 (513) 752-1911		DRAWN BY	DATE	
		TMc	06/20/2010	
		CHKD. BY	DATE	
TAN				
JOB No.	DRG. No.	REV.		
10-11	25B14	1		



ONE - BEAM - 25B15

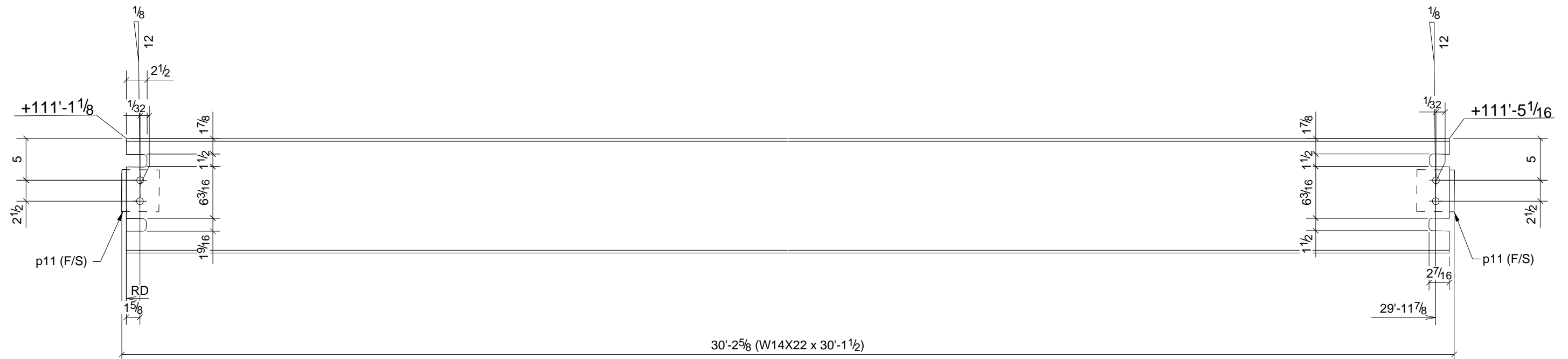
PHASE				
1	2	3	4	5
0	1	0	0	0

W | 13 11/16" x 1/4"
F | 5" x 5/16"

BILL OF MATERIAL

SHIP	MARK	NO PCS	DESCRIPTION	LENGTH	PIECE MARK	REMARKS
1	25B15	1	W14X22	27'-6 1/4"		SQ-2 A992
		2	BAR3/8"X4 1/2"	0'-5"	p11	A36
		4	3/4"Ø A325N BOLT	0'-1 3/4"		

A	For Approval	06/18/10	TMc	TAN
REV.	DESCRIPTION	DATE	DWN	CHK
GENERAL NOTES			JOB USE	
MATERIAL: A992 / A36	ELECTRODES: E70XX LH	REF. DRG.	SHOP	
HOLES: 13/16 DIA. U/N	CONN'S.: -		APPROVAL	
SURFACE PREP. SSPC-SP-2 AND PAINT: GREY PRIMER DEVOE NA-195 (U.N.)				
DESCRIPTION:	BEAM			
PROJECT NAME	Ross Middle School Addition/Remodel			
LOCATION	Ross Local School District - Hamilton, O			
CONTRACTOR	Endeavor			
Avenue Fabricating Inc. 1281 Clough Pike Batavia, OH 45103 (513) 752-1911		DRAWN BY	DATE	
		TMc	06/20/2010	
		CHKD. BY	DATE	
TAN				
JOB No.	DRG. No.	REV.		
10-11	25B15	1		



ONE - BEAM - 25B16

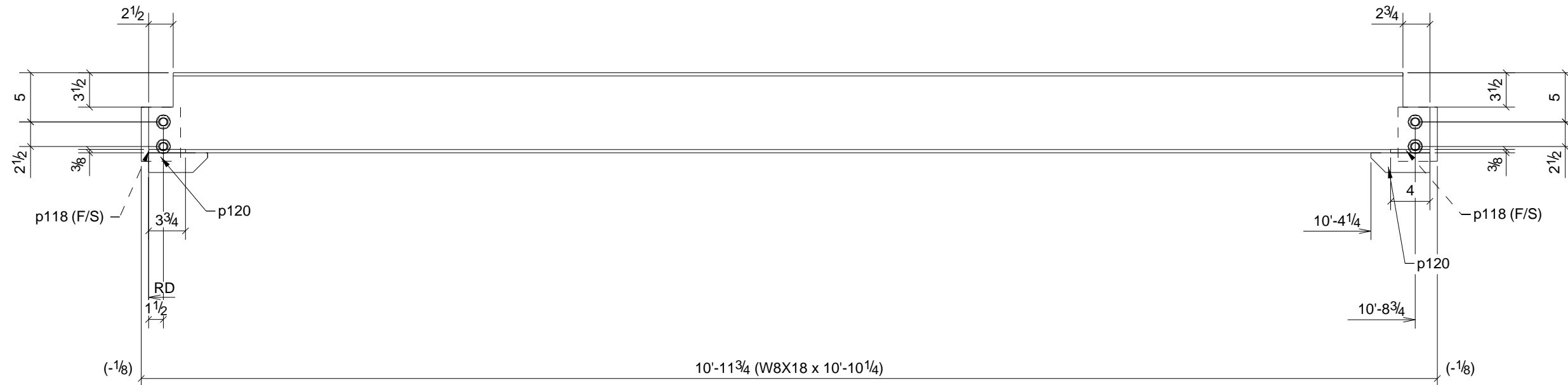
PHASE				
1	2	3	4	5
0	1	0	0	0

W | 13 11/16" x 1/4"
F | 5" x 5/16"

BILL OF MATERIAL

SHIP	MARK	NO PCS	DESCRIPTION	LENGTH	PIECE MARK	REMARKS
1	25B16	1	W14X22	30'-1 1/2"		SQ-2 A992
		2	BAR3/8"X4 1/2"	0'-5"	p11	A36
		4	3/4"Ø A325N BOLT	0'-1 3/4"		

A	For Approval	06/18/10	TMc	TAN
REV.	DESCRIPTION	DATE	DWN	CHK
GENERAL NOTES		JOB USE		
MATERIAL: A992 / A36	ELECTRODES: E70XX LH	REF. DRG.		
HOLES: 13/16 DIA. U/N	CONN'S.: -	SHOP		
SURFACE PREP. SSPC-SP-2 AND PAINT: GREY PRIMER DEVOE NA-195 (U.N.)		APPROVAL		
DESCRIPTION:	BEAM			
PROJECT NAME	Ross Middle School Addition/Remodel			
LOCATION	Ross Local School District - Hamilton, O			
CONTRACTOR	Endeavor			
Avenue Fabricating Inc. 1281 Clough Pike Batavia, OH 45103 (513) 752-1911		DRAWN BY	DATE	
		TMc	06/20/2010	
		CHKD. BY	DATE	
TAN				
JOB No.	DRG. No.	REV.		
10-11	25B16	1		



4 - BEAMS - 25B17

PHASE				
1	2	3	4	5
0	4	0	0	0

W	8 1/8" x 1/4"
F	5 1/4" x 5/16"

A	For Approval	06/18/10	TMc	TAN
REV.	DESCRIPTION	DATE	DWN	CHK

GENERAL NOTES

MATERIAL: A992 / A36	ELECTRODES: E70XX LH	REF. DRG.	JOB USE
HOLES: 13/16 DIA. U/N	CONN'S.: -		SHOP
SURFACE PREP. SSPC-SP-2 AND PAINT: GREY PRIMER DEVOE NA-195 (U.N.)			APPROVAL

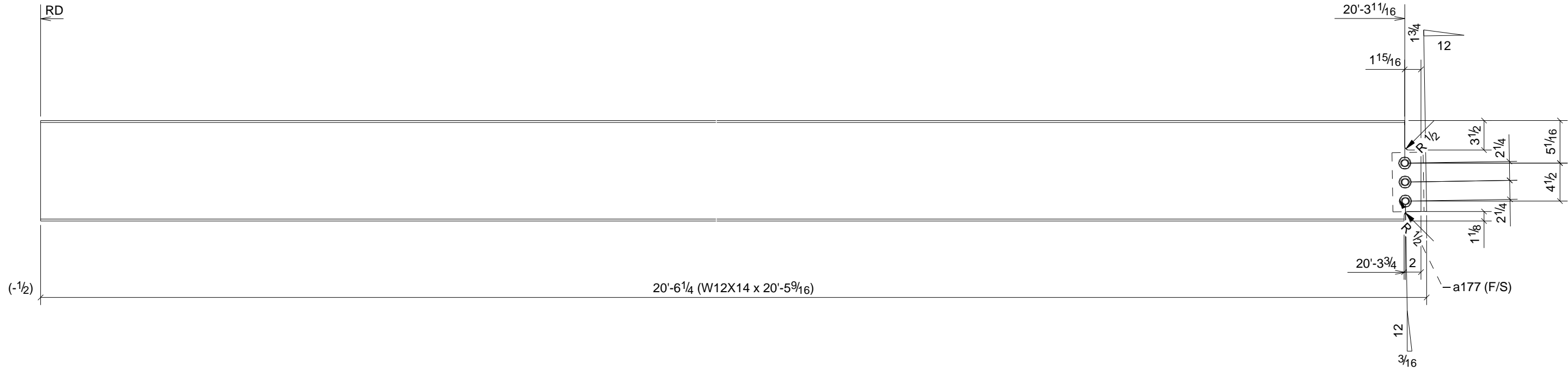
DESCRIPTION:	BEAM
PROJECT NAME	Ross Middle School Addition/Remodel
LOCATION	Ross Local School District - Hamilton, O
CONTRACTOR	Endeavor

BILL OF MATERIAL

SHIP	MARK	NO PCS	DESCRIPTION	LENGTH	PIECE MARK	REMARKS
4	25B17	4	W8X18	10'-10 1/4"		SQ-2 A992
		8	BAR3/8"X4"	0'-5 1/2"	p118	A36
		8	BAR1/4"X2"	0'-6"	p120	A36
		16	3/4"Ø A325N BOLT	0'-1 3/4"		

Avenue Fabricating Inc.
 1281 Clough Pike
 Batavia, OH 45103
 (513) 752-1911

DRAWN BY	TMc	DATE	06/18/2010
CHKD. BY	TAN	DATE	
JOB No.	10-11	DRG. No.	25B17
		REV.	1



ONE - BEAM - 25B2

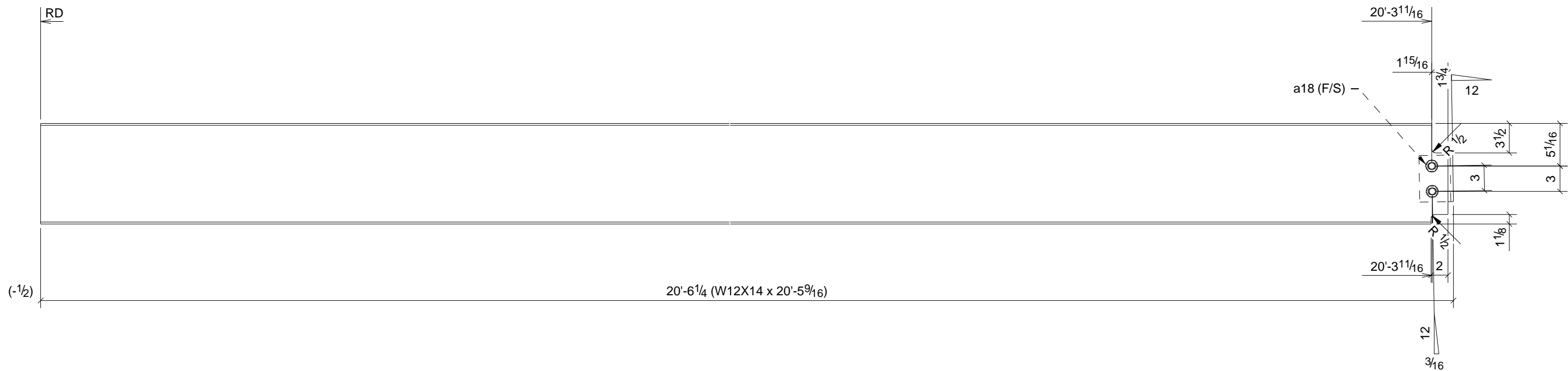
PHASE				
1	2	3	4	5
0	1	0	0	0

W | 11 7/8" x 3/16"
F | 4" x 1/4"

BILL OF MATERIAL

SHIP	MARK	NO PCS	DESCRIPTION	LENGTH	PIECE MARK	REMARKS
1	25B2	1	W12X14	20'-5 9/16"		SQ-2 A992
		1	L4X3-1/2X5/16	0'-7"	a177	A36
		3	3/4"Ø A325N BOLT	0'-1 3/4"		

A	For Approval	06/18/10	TMc	TAN
REV.	DESCRIPTION	DATE	DWN	CHK
GENERAL NOTES		JOB USE		
MATERIAL: A992 / A36	ELECTRODES: E70XX LH	REF. DRG.		
HOLES: 13/16 DIA. U/N	CONN'S.: -	SHOP		
SURFACE PREP. SSPC-SP-2 AND PAINT: GREY PRIMER DEVOE NA-195 (U.N.)		APPROVAL		
DESCRIPTION:	BEAM			
PROJECT NAME	Ross Middle School Addition/Remodel			
LOCATION	Ross Local School District - Hamilton, O			
CONTRACTOR	Endeavor			
Avenue Fabricating Inc. 1281 Clough Pike Batavia, OH 45103 (513) 752-1911		DRAWN BY	DATE	
		TMc	06/18/2010	
		CHKD. BY	DATE	
TAN				
JOB No.	DRG. No.	REV.		
10-11	25B2	1		



PHASE				
1	2	3	4	5
0	1	0	0	0

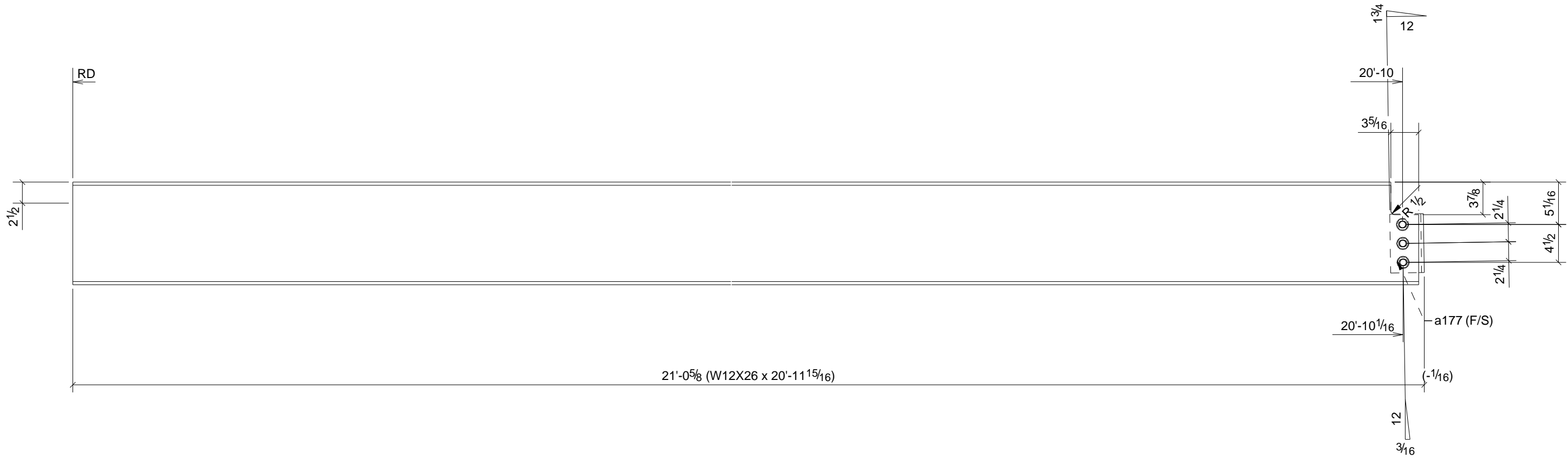
ONE - BEAM - 25B3

W | 11 7/8" x 3/16"
F | 4" x 1/4"

BILL OF MATERIAL

SHIP	MARK	NO PCS	DESCRIPTION	LENGTH	PIECE MARK	REMARKS
1	25B3	1	W12X14	20'-5 9/16"		SQ-2 A992
		1	L4X3-1/2X5/16	0'-5 1/2"	a18	A36
		2	3/4"Ø A325N BOLT	0'-1 3/4"		

A	For Approval	06/18/10	TMc	TAN
REV.	DESCRIPTION	DATE	DWN	CHK
GENERAL NOTES		JOB USE		
MATERIAL: A992 / A36	ELECTRODES: E70XX LH	REF. DRG.		
HOLES: 13/16 DIA. U/N	CONN'S.: -	SHOP		
SURFACE PREP. SSPC-SP-2 AND PAINT: GREY PRIMER DEVOE NA-195 (U.N.)		APPROVAL		
DESCRIPTION:	BEAM			
PROJECT NAME	Ross Middle School Addition/Remodel			
LOCATION	Ross Local School District - Hamilton, O			
CONTRACTOR	Endeavor			
Avenue Fabricating Inc. 1281 Clough Pike Batavia, OH 45103 (513) 752-1911		DRAWN BY	DATE	
		TMc	06/18/2010	
		CHKD. BY	DATE	
TAN				
JOB No.	DRG. No.	REV.		
10-11	25B3	1		



3 - BEAMS - 25B4

PHASE				
1	2	3	4	5
0	3	0	0	0

W	12 3/16" x 1/4"
F	6 1/2" x 3/8"

BILL OF MATERIAL

SHIP	MARK	NO PCS	DESCRIPTION	LENGTH	PIECE MARK	REMARKS
3	25B4	3	W12X26	20'-11 15/16"		SQ-2 A992
		3	L4X3-1/2X5/16	0'-7"	a177	A36
		9	3/4"Ø A325N BOLT	0'-1 3/4"		

A	For Approval	06/18/10	TMc	TAN
REV.	DESCRIPTION	DATE	DWN	CHK
GENERAL NOTES			JOB USE	
MATERIAL: A992 / A36	ELECTRODES: E70XX LH	REF. DRG.		
HOLES: 13/16 DIA. U/N	CONN'S.: -	SHOP		
SURFACE PREP. SSPC-SP-2		APPROVAL		
AND PAINT: GREY PRIMER DEVOE NA-195 (U.N.)				
DESCRIPTION:	BEAM			
PROJECT NAME	Ross Middle School Addition/Remodel			
LOCATION	Ross Local School District - Hamilton, O			
CONTRACTOR	Endeavor			
Avenue Fabricating Inc. 1281 Clough Pike Batavia, OH 45103 (513) 752-1911		DRAWN BY	DATE	
		TMc	06/18/2010	
		CHKD. BY	DATE	
TAN				
JOB No.	DRG. No.	REV.		
10-11	25B4	1		



PHASE				
1	2	3	4	5
0	1	0	0	0

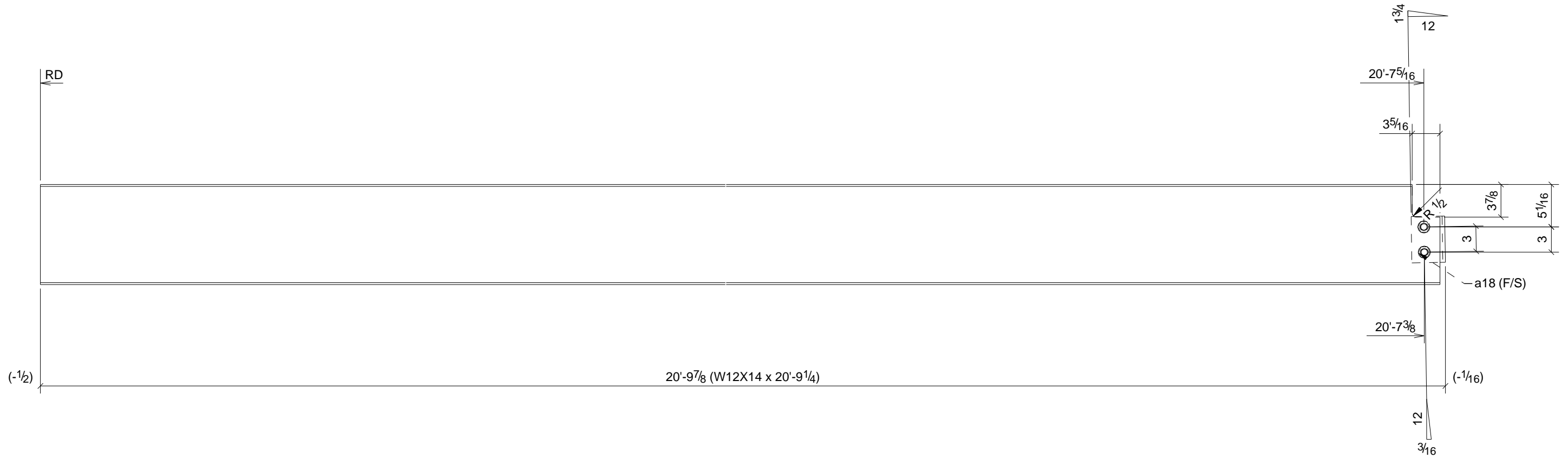
ONE - BEAM - 25B5

W | 12 3/16" x 1/4"
F | 6 1/2" x 3/8"

BILL OF MATERIAL

SHIP	MARK	NO PCS	DESCRIPTION	LENGTH	PIECE MARK	REMARKS
1	25B5	1	W12X26	20'-11 15/16"		SQ-2 A992
		1	L4X3-1/2X5/16	0'-7"	a177	A36
		3	3/4"Ø A325N BOLT	0'-1 3/4"		

A	For Approval	06/18/10	TMc	TAN	
REV.	DESCRIPTION	DATE	DWN	CHK	
GENERAL NOTES				JOB USE	
MATERIAL: A992 / A36		ELECTRODES: E70XX LH	REF. DRG.		
HOLES: 13/16 DIA. U/N		CONN'S.: -	SHOP		
SURFACE PREP. SSPC-SP-2 AND PAINT: GREY PRIMER DEVOE NA-195 (U.N.)			APPROVAL		
DESCRIPTION: BEAM		PROJECT NAME: Ross Middle School Addition/Remodel			
LOCATION: Ross Local School District - Hamilton, O		CONTRACTOR: Endeavor			
Avenue Fabricating Inc. 1281 Clough Pike Batavia, OH 45103 (513) 752-1911		DRAWN BY: TMc		DATE: 06/18/2010	
		CHKD. BY: TAN		DATE:	
		JOB No. 10-11		DRG. No. 25B5	REV. 1



ONE - BEAM - 25B6

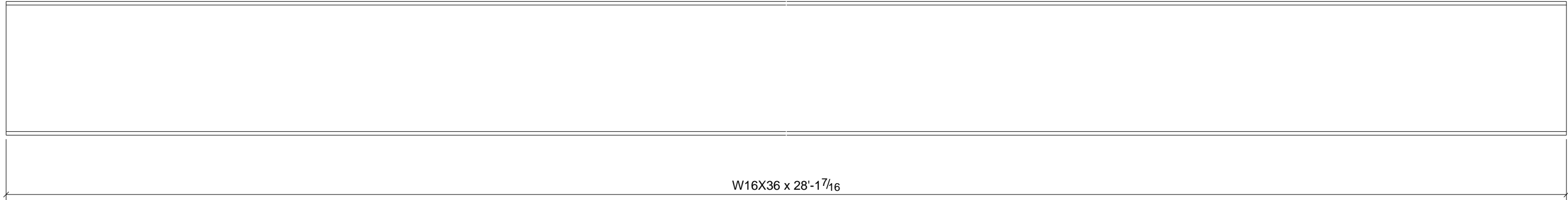
PHASE				
1	2	3	4	5
0	1	0	0	0

W	11 7/8" x 3/16"
F	4" x 1/4"

BILL OF MATERIAL

SHIP	MARK	NO PCS	DESCRIPTION	LENGTH	PIECE MARK	REMARKS
1	25B6	1	W12X14	20'-9 1/4"		SQ-2 A992
		1	L4X3-1/2X5/16	0'-5 1/2"	a18	A36
		2	3/4"Ø A325N BOLT	0'-1 3/4"		

A	For Approval	06/18/10	TMc	TAN
REV.	DESCRIPTION	DATE	DWN	CHK
GENERAL NOTES			JOB USE	
MATERIAL: A992 / A36	ELECTRODES: E70XX LH	REF. DRG.		
HOLES: 13/16 DIA. U/N	CONN'S.: -	SHOP		
SURFACE PREP. SSPC-SP-2 AND PAINT: GREY PRIMER DEVOE NA-195 (U.N.)			APPROVAL	
DESCRIPTION: BEAM				
PROJECT NAME Ross Middle School Addition/Remodel				
LOCATION Ross Local School District - Hamilton, O				
CONTRACTOR Endeavor				
Avenue Fabricating Inc. 1281 Clough Pike Batavia, OH 45103 (513) 752-1911			DRAWN BY TMc	
			DATE 06/18/2010	
			CHKD. BY TAN	
JOB No. 10-11		DRG. No. 25B6		REV. 1



W16X36 x 28'-1 7/16"

PHASE				
1	2	3	4	5
0	1	0	0	0

ONE - BEAM - 25B7

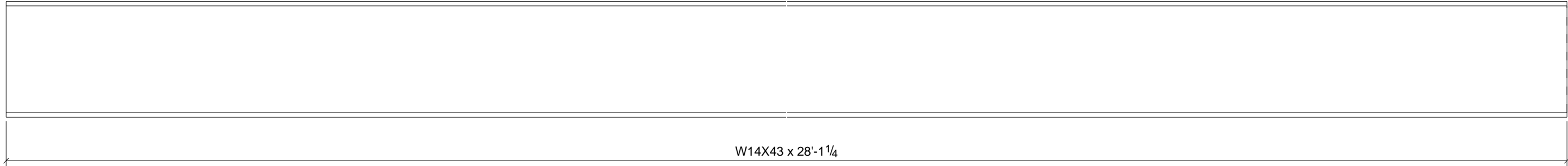
W | 15 7/8" x 1/4"
F | 7" x 7/16"

A	For Approval	06/18/10	TMc	TAN
REV.	DESCRIPTION	DATE	DWN	CHK
GENERAL NOTES			JOB USE	
MATERIAL: A992 / A36	ELECTRODES: E70XX LH	REF. DRG.	SHOP	
HOLES: 13/16 DIA. U/N	CONN'S.: -		APPROVAL	
SURFACE PREP. SSPC-SP-2 AND PAINT: GREY PRIMER DEVOE NA-195 (U.N.)				
DESCRIPTION: BEAM				
PROJECT NAME Ross Middle School Addition/Remodel LOCATION Ross Local School District - Hamilton, O				
CONTRACTOR Endeavor				
		DRAWN BY TMc		DATE 06/18/2010
		CHKD. BY TAN		DATE
		JOB No. 10-11	DRG. No. 25B7	REV. 1

BILL OF MATERIAL

SHIP	MARK	NO PCS	DESCRIPTION	LENGTH	PIECE MARK	REMARKS
1	25B7	1	W16X36	28'-1 7/16"		SQ-2 A992

Avenue Fabricating Inc.
1281 Clough Pike
Batavia, OH 45103
(513) 752-1911



PHASE				
1	2	3	4	5
0	1	0	0	0

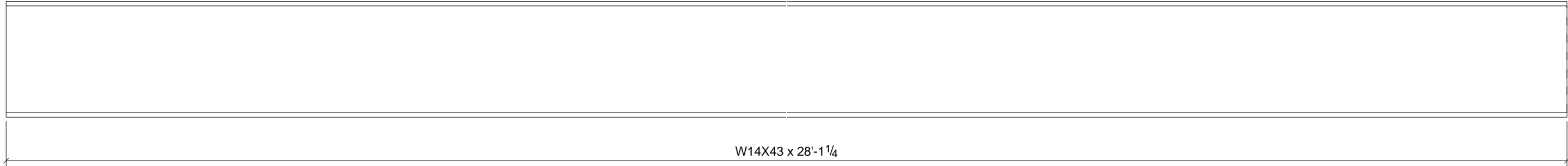
ONE - BEAM - 25B8

W | 13 11/16" x 1/4"
F | 8" x 1/2"

A	For Approval	06/18/10	TMc	TAN
REV.	DESCRIPTION	DATE	DWN	CHK
GENERAL NOTES		JOB USE		
MATERIAL: A992 / A36	ELECTRODES: E70XX LH	REF. DRG.		
HOLES: 13/16 DIA. U/N	CONN'S.: -	SHOP		
SURFACE PREP. SSPC-SP-2 AND PAINT: GREY PRIMER DEVOE NA-195 (U.N.)		APPROVAL		
DESCRIPTION: BEAM				
PROJECT NAME: Ross Middle School Addition/Remodel				
LOCATION: Ross Local School District - Hamilton, O				
CONTRACTOR: Endeavor				
Avenue Fabricating Inc. 1281 Clough Pike Batavia, OH 45103 (513) 752-1911		DRAWN BY		DATE
		TMc		06/18/2010
		CHKD. BY		DATE
		TAN		
JOB No.		DRG. No.	REV.	
10-11		25B8	1	

BILL OF MATERIAL

SHIP	MARK	NO PCS	DESCRIPTION	LENGTH	PIECE MARK	REMARKS
1	25B8	1	W14X43	28'-1 1/4"		SQ-2 A992



PHASE				
1	2	3	4	5
0	1	0	0	0

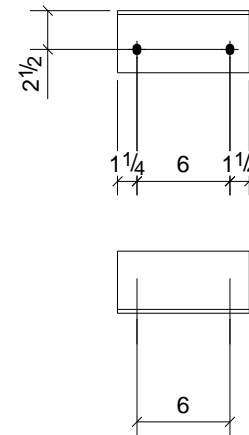
ONE - BEAM - 25B9

W | 13 11/16" x 1/4"
F | 8" x 1/2"

A	For Approval	06/18/10	TMc	TAN
REV.	DESCRIPTION	DATE	DWN	CHK
GENERAL NOTES			JOB USE	
MATERIAL: A992 / A36	ELECTRODES: E70XX LH	REF. DRG.		
HOLES: 13/16 DIA. U/N	CONN'S.: -	SHOP		
SURFACE PREP. SSPC-SP-2 AND PAINT: GREY PRIMER DEVOE NA-195 (U.N.)			APPROVAL	
DESCRIPTION: BEAM				
PROJECT NAME: Ross Middle School Addition/Remodel				
LOCATION: Ross Local School District - Hamilton, O				
CONTRACTOR: Endeavor				
Avenue Fabricating Inc. 1281 Clough Pike Batavia, OH 45103 (513) 752-1911			DRAWN BY: TMc	
			DATE: 06/18/2010	
			CHKD. BY: TAN	
JOB No. 10-11		DRG. No. 25B9		REV. 1

BILL OF MATERIAL

SHIP	MARK	NO PCS	DESCRIPTION	LENGTH	PIECE MARK	REMARKS
1	25B9	1	W14X43	28'-1 1/4"		SQ-2 A992



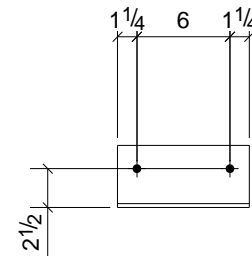
3 - ANGLES - 27A1

PHASE				
1	2	3	4	5
0	3	0	0	0

A	For Approval	06/18/10	TMc	TAN
REV.	DESCRIPTION	DATE	DWN	CHK
GENERAL NOTES			JOB USE	
MATERIAL: A992 / A36	ELECTRODES: E70XX LH	REF. DRG.	SHOP	
HOLES: 13/16 DIA. U/N	CONN'S.: -		APPROVAL	
SURFACE PREP. SSPC-SP-2 AND PAINT: GREY PRIMER DEVOE NA-195 (U.N.)				
DESCRIPTION: ANGLE				
PROJECT NAME Ross Middle School Addition/Remodel LOCATION Ross Local School District - Hamilton, O				
CONTRACTOR Endeavor				
		Avenue Fabricating Inc. 1281 Clough Pike Batavia, OH 45103 (513) 752-1911		DRAWN BY TMc
				DATE 06/18/2010
		CHKD. BY TAN		DATE
		JOB No. 10-11		DRG. No. 27A1
				REV. 1

BILL OF MATERIAL

SHIP	MARK	NO PCS	DESCRIPTION	LENGTH	PIECE MARK	REMARKS
3	27A1	3	L4X4X1/4	0'-8 1/2"		SQ-2 A36



ONE - ANGLE - 27A10

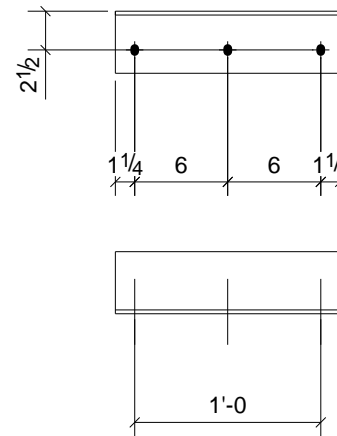
PHASE				
1	2	3	4	5
0	1	0	0	0

A	For Approval	06/18/10	TMc	TAN
REV.	DESCRIPTION	DATE	DWN	CHK
GENERAL NOTES			JOB USE	
MATERIAL: A992 / A36	ELECTRODES: E70XX LH	REF. DRG.	SHOP	
HOLES: 13/16 DIA. U/N	CONN'S.: -		APPROVAL	
SURFACE PREP. SSPC-SP-2 AND PAINT: GREY PRIMER DEVOE NA-195 (U.N.)				
DESCRIPTION: ANGLE				
PROJECT NAME Ross Middle School Addition/Remodel LOCATION Ross Local School District - Hamilton, O				
CONTRACTOR Endeavor				
		Avenue Fabricating Inc. 1281 Clough Pike Batavia, OH 45103 (513) 752-1911		DRAWN BY TMc
				DATE 06/18/2010
		CHKD. BY TAN		DATE
		JOB No. 10-11		DRG. No. 27A10
				REV. 1

BILL OF MATERIAL

SHIP	MARK	NO PCS	DESCRIPTION	LENGTH	PIECE MARK	REMARKS
1	27A10	1	L4X4X1/4	0'-8 1/2"		SQ-2 A36

GRID LOCATION	BOTTOM ELEVATION
<cB/B>	113'-2"7/8
<cB/B>	113'-2"7/8
<cB/B>	113'-2"7/8
<cB/B>	112'-7"
<cB/B>	112'-7"
<cB/B>	112'-7"
cB-4/B>	113'-3"
<cB/B>	113'-2"7/8



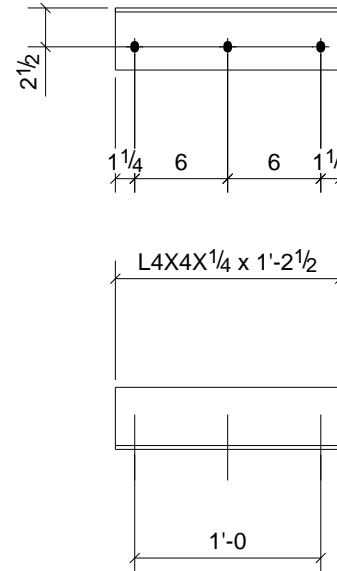
8 - ANGLES - 27A11

PHASE				
1	2	3	4	5
0	8	0	0	0

BILL OF MATERIAL

SHIP	MARK	NO PCS	DESCRIPTION	LENGTH	PIECE MARK	REMARKS
8	27A11	8	L4X4X1/4	1'-2 1/2"	SQ-2 A36	

A	For Approval	06/18/10	TMc	TAN
REV.	DESCRIPTION	DATE	DWN	CHK
GENERAL NOTES			JOB USE	
MATERIAL: A992 / A36	ELECTRODES: E70XX LH	REF. DRG.	SHOP	
HOLES: 13/16 DIA. U/N	CONN'S.: -		APPROVAL	
SURFACE PREP. SSPC-SP-2				
AND PAINT: GREY PRIMER DEVOE NA-195 (U.N.)				
DESCRIPTION: ANGLE				
PROJECT NAME Ross Middle School Addition/Remodel				
LOCATION Ross Local School District - Hamilton, O				
CONTRACTOR Endeavor				
Avenue Fabricating Inc. 1281 Clough Pike Batavia, OH 45103 (513) 752-1911			DRAWN BY	DATE
			TMc	06/18/2010
			CHKD. BY	DATE
TAN				
JOB No.	DRG. No.	REV.		
10-11	27A11	1		



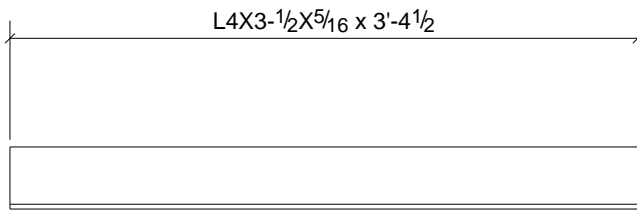
8 - ANGLES - 27A12

PHASE				
1	2	3	4	5
0	8	0	0	0

BILL OF MATERIAL

SHIP	MARK	NO PCS	DESCRIPTION	LENGTH	PIECE MARK	REMARKS
8	27A12	8	L4X4X1/4	1'-2 1/2"		SQ-2 A36

A	For Approval	06/18/10	TMc	TAN
REV.	DESCRIPTION	DATE	DWN	CHK
GENERAL NOTES			JOB USE	
MATERIAL: A992 / A36	ELECTRODES: E70XX LH	REF. DRG.	SHOP	
HOLES: 13/16 DIA. U/N	CONN'S.: -		APPROVAL	
SURFACE PREP. SSPC-SP-2				
AND PAINT: GREY PRIMER DEVOE NA-195 (U.N.)				
DESCRIPTION: ANGLE				
PROJECT NAME Ross Middle School Addition/Remodel				
LOCATION Ross Local School District - Hamilton, O				
CONTRACTOR Endeavor				
Avenue Fabricating Inc. 1281 Clough Pike Batavia, OH 45103 (513) 752-1911			DRAWN BY	DATE
			TMc	06/18/2010
			CHKD. BY	DATE
TAN		JOB No.	DRG. No.	REV.
		10-11	27A12	1



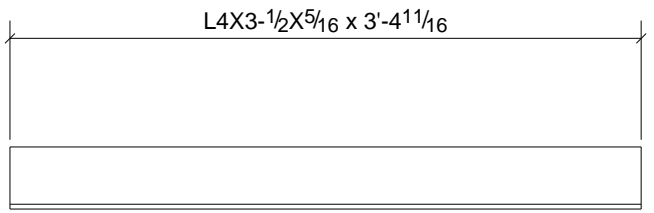
ONE - ANGLE - 27A13

PHASE				
1	2	3	4	5
0	1	0	0	0

A	For Approval	06/18/10	TMc	TAN
REV.	DESCRIPTION	DATE	DWN	CHK
GENERAL NOTES		JOB USE		
MATERIAL: A992 / A36	ELECTRODES: E70XX LH	REF. DRG.		
HOLES: 13/16 DIA. U/N	CONN'S.: -	SHOP		
SURFACE PREP. SSPC-SP-2 AND PAINT: GREY PRIMER DEVOE NA-195 (U.N.)		APPROVAL		
DESCRIPTION: ANGLE				
PROJECT NAME Ross Middle School Addition/Remodel LOCATION Ross Local School District - Hamilton, O				
CONTRACTOR Endeavor				
Avenue Fabricating Inc. 1281 Clough Pike Batavia, OH 45103 (513) 752-1911		DRAWN BY TMc		DATE 06/18/2010
		CHKD. BY TAN		DATE
		JOB No. 10-11	DRG. No. 27A13	REV. 1

BILL OF MATERIAL

SHIP	MARK	NO PCS	DESCRIPTION	LENGTH	PIECE MARK	REMARKS
1	27A13	1	L4X3-1/2X5/16	3'-4 1/2"		SQ-2 A36



ONE - ANGLE - 27A14

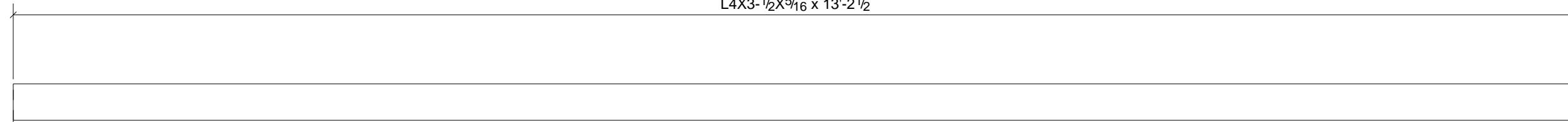
PHASE				
1	2	3	4	5
0	1	0	0	0

A	For Approval	06/18/10	TMc	TAN
REV.	DESCRIPTION	DATE	DWN	CHK
GENERAL NOTES		JOB USE		
MATERIAL: A992 / A36	ELECTRODES: E70XX LH	REF. DRG.		
HOLES: 13/16 DIA. U/N	CONN'S.: -	SHOP		
SURFACE PREP. SSPC-SP-2 AND PAINT: GREY PRIMER DEVOE NA-195 (U.N.)		APPROVAL		
DESCRIPTION: ANGLE				
PROJECT NAME Ross Middle School Addition/Remodel				
LOCATION Ross Local School District - Hamilton, O				
CONTRACTOR Endeavor				
Avenue Fabricating Inc. 1281 Clough Pike Batavia, OH 45103 (513) 752-1911		DRAWN BY TMc		DATE 06/18/2010
		CHKD. BY TAN		DATE
		JOB No. 10-11	DRG. No. 27A14	REV. 1

BILL OF MATERIAL

SHIP	MARK	NO PCS	DESCRIPTION	LENGTH	PIECE MARK	REMARKS
1	27A14	1	L4X3-1/2X5/16	3'-4 11/16"		SQ-2 A36

L4X3-1/2X5/16 x 13'-2 1/2"



3 - ANGLES - 27A15

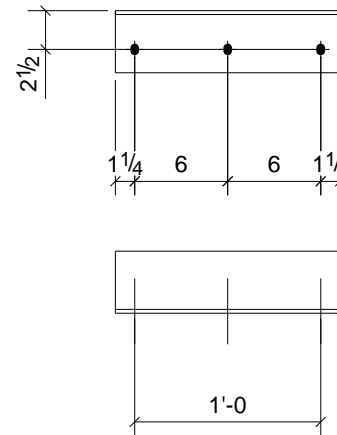
PHASE				
1	2	3	4	5
0	3	0	0	0

A	For Approval	06/18/10	TMc	TAN
REV.	DESCRIPTION	DATE	DWN	CHK
GENERAL NOTES			JOB USE	
MATERIAL: A992 / A36	ELECTRODES: E70XX LH	REF. DRG.	SHOP	
HOLES: 13/16 DIA. U/N	CONN'S.: -		APPROVAL	
SURFACE PREP. SSPC-SP-2 AND PAINT: GREY PRIMER DEVOE NA-195 (U.N.)				
DESCRIPTION: ANGLE				
PROJECT NAME Ross Middle School Addition/Remodel LOCATION Ross Local School District - Hamilton, O				
CONTRACTOR Endeavor				
		DRAWN BY TMc		DATE 06/18/2010
		CHKD. BY TAN		DATE
		JOB No. 10-11	DRG. No. 27A15	REV. 1

BILL OF MATERIAL

SHIP	MARK	NO PCS	DESCRIPTION	LENGTH	PIECE MARK	REMARKS
3	27A15	3	L4X3-1/2X5/16	13'-2 1/2"		SQ-2 A36

Avenue Fabricating Inc.
1281 Clough Pike
Batavia, OH 45103
(513) 752-1911



3 - ANGLES - 27A16

PHASE				
1	2	3	4	5
0	3	0	0	0

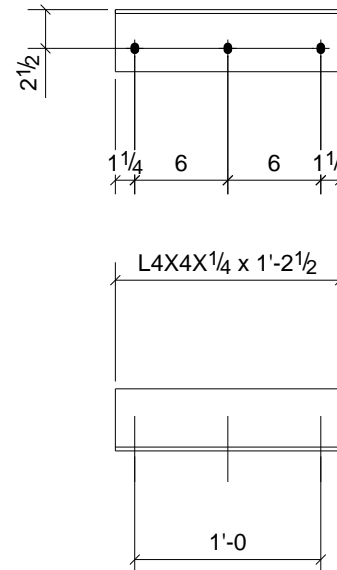
A	For Approval	06/18/10	TMc	TAN
REV.	DESCRIPTION	DATE	DWN	CHK
GENERAL NOTES			JOB USE	
MATERIAL: A992 / A36	ELECTRODES: E70XX LH	REF. DRG.	SHOP	
HOLES: 13/16 DIA. U/N	CONN'S.: -		APPROVAL	
SURFACE PREP. SSPC-SP-2				
AND PAINT: GREY PRIMER DEVOE NA-195 (U.N.)				
DESCRIPTION: ANGLE				
PROJECT NAME Ross Middle School Addition/Remodel				
LOCATION Ross Local School District - Hamilton, O				
CONTRACTOR Endeavor				
		DRAWN BY TMc		DATE 06/18/2010
		CHKD. BY TAN		DATE
		JOB No. 10-11	DRG. No. 27A16	REV. 1

BILL OF MATERIAL

SHIP	MARK	NO PCS	DESCRIPTION	LENGTH	PIECE MARK	REMARKS
3	27A16	3	L4X4X1/4	1'-2 1/2"		SQ-2 A36

Avenue Fabricating Inc.
 1281 Clough Pike
 Batavia, OH 45103
 (513) 752-1911

GRID LOCATION	BOTTOM ELEVATION
cA>/B>	109'-11"
cA>/B>	109'-11"
cA>/B>	109'-11"



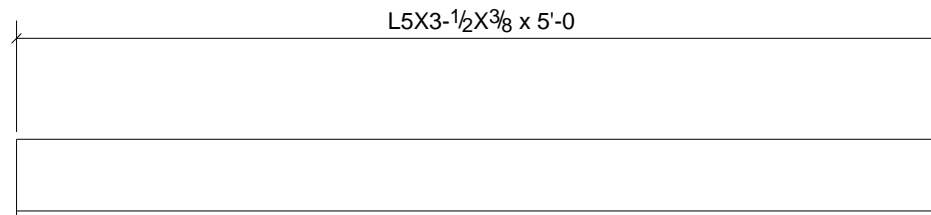
3 - ANGLES - 27A17

PHASE				
1	2	3	4	5
0	3	0	0	0

BILL OF MATERIAL

SHIP	MARK	NO PCS	DESCRIPTION	LENGTH	PIECE MARK	REMARKS
3	27A17	3	L4X4X1/4	1'-2 1/2"		SQ-2 A36

A	For Approval	06/18/10	TMc	TAN
REV.	DESCRIPTION	DATE	DWN	CHK
GENERAL NOTES			JOB USE	
MATERIAL: A992 / A36	ELECTRODES: E70XX LH	REF. DRG.	SHOP	
HOLES: 13/16 DIA. U/N	CONN'S.: -		APPROVAL	
SURFACE PREP. SSPC-SP-2 AND PAINT: GREY PRIMER DEVOE NA-195 (U.N.)				
DESCRIPTION: ANGLE				
PROJECT NAME Ross Middle School Addition/Remodel LOCATION Ross Local School District - Hamilton, O				
CONTRACTOR Endeavor				
Avenue Fabricating Inc. 1281 Clough Pike Batavia, OH 45103 (513) 752-1911			DRAWN BY	DATE
			TMc	06/18/2010
			CHKD. BY	DATE
			TAN	
JOB No. 10-11		DRG. No. 27A17	REV. 1	



PHASE				
1	2	3	4	5
0	10	0	0	0

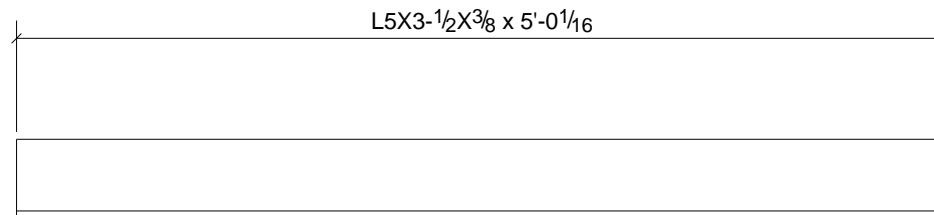
10 - ANGLES - 27A18

A	For Approval	06/18/10	TMc	TAN
REV.	DESCRIPTION	DATE	DWN	CHK
GENERAL NOTES		JOB USE		
MATERIAL: A992 / A36	ELECTRODES: E70XX LH	REF. DRG.		
HOLES: 13/16 DIA. U/N	CONN'S.: -	SHOP		
SURFACE PREP. SSPC-SP-2 AND PAINT: GREY PRIMER DEVOE NA-195 (U.N.)		APPROVAL		
DESCRIPTION: ANGLE				
PROJECT NAME Ross Middle School Addition/Remodel				
LOCATION Ross Local School District - Hamilton, O				
CONTRACTOR Endeavor				
		DRAWN BY TMc		DATE 06/18/2010
		CHKD. BY TAN		DATE
		JOB No. 10-11	DRG. No. 27A18	REV. 1

BILL OF MATERIAL

SHIP	MARK	NO PCS	DESCRIPTION	LENGTH	PIECE MARK	REMARKS
10	27A18	10	L5X3-1/2X3/8	5'-0"		SQ-2 A36

Avenue Fabricating Inc.
1281 Clough Pike
Batavia, OH 45103
(513) 752-1911



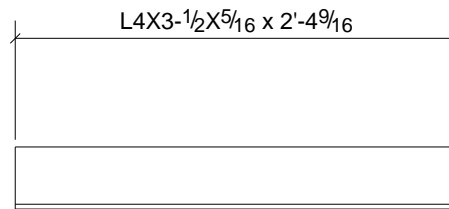
PHASE				
1	2	3	4	5
0	1	0	0	0

ONE - ANGLE - 27A19

A	For Approval	06/18/10	TMc	TAN
REV.	DESCRIPTION	DATE	DWN	CHK
GENERAL NOTES		JOB USE		
MATERIAL: A992 / A36	ELECTRODES: E70XX LH	REF. DRG.		
HOLES: 13/16 DIA. U/N	CONN'S.: -	SHOP		
SURFACE PREP. SSPC-SP-2 AND PAINT: GREY PRIMER DEVOE NA-195 (U.N.)		APPROVAL		
DESCRIPTION: ANGLE				
PROJECT NAME Ross Middle School Addition/Remodel				
LOCATION Ross Local School District - Hamilton, O				
CONTRACTOR Endeavor				
Avenue Fabricating Inc. 1281 Clough Pike Batavia, OH 45103 (513) 752-1911		DRAWN BY TMc		DATE 06/18/2010
		CHKD. BY TAN		DATE
		JOB No. 10-11	DRG. No. 27A19	REV. 1

BILL OF MATERIAL

SHIP	MARK	NO PCS	DESCRIPTION	LENGTH	PIECE MARK	REMARKS
1	27A19	1	L5X3-1/2X3/8	5'-0 1/16"		SQ-2 A36



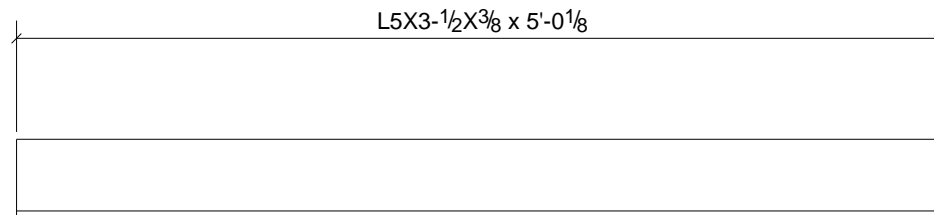
PHASE				
1	2	3	4	5
0	14	0	0	0

14 - ANGLES - 27A2

A	For Approval	06/18/10	TMc	TAN
REV.	DESCRIPTION	DATE	DWN	CHK
GENERAL NOTES		JOB USE		
MATERIAL: A992 / A36	ELECTRODES: E70XX LH	REF. DRG.		
HOLES: 13/16 DIA. U/N	CONN'S.: -	SHOP		
SURFACE PREP. SSPC-SP-2 AND PAINT: GREY PRIMER DEVOE NA-195 (U.N.)		APPROVAL		
DESCRIPTION: ANGLE				
PROJECT NAME Ross Middle School Addition/Remodel				
LOCATION Ross Local School District - Hamilton, O				
CONTRACTOR Endeavor				
Avenue Fabricating Inc. 1281 Clough Pike Batavia, OH 45103 (513) 752-1911		DRAWN BY TMc		DATE 06/18/2010
		CHKD. BY TAN		DATE
		JOB No. 10-11	DRG. No. 27A2	REV. 1

BILL OF MATERIAL

SHIP	MARK	NO PCS	DESCRIPTION	LENGTH	PIECE MARK	REMARKS
14	27A2	14	L4X3-1/2X5/16	2'-4 9/16"		SQ-2 A36



ONE - ANGLE - 27A20

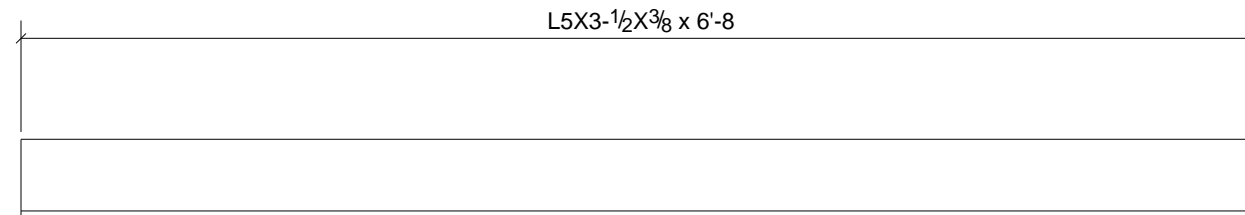
PHASE				
1	2	3	4	5
0	1	0	0	0

A	For Approval	06/18/10	TMc	TAN
REV.	DESCRIPTION	DATE	DWN	CHK
GENERAL NOTES			JOB USE	
MATERIAL: A992 / A36	ELECTRODES: E70XX LH	REF. DRG.	SHOP	
HOLES: 13/16 DIA. U/N	CONN'S.: -		APPROVAL	
SURFACE PREP. SSPC-SP-2 AND PAINT: GREY PRIMER DEVOE NA-195 (U.N.)				
DESCRIPTION: ANGLE				
PROJECT NAME Ross Middle School Addition/Remodel LOCATION Ross Local School District - Hamilton, O				
CONTRACTOR Endeavor				
		DRAWN BY TMc		DATE 06/18/2010
		CHKD. BY TAN		DATE
		JOB No. 10-11	DRG. No. 27A20	REV. 1

BILL OF MATERIAL

SHIP	MARK	NO PCS	DESCRIPTION	LENGTH	PIECE MARK	REMARKS
1	27A20	1	L5X3-1/2X3/8	5'-0 1/8"		SQ-2 A36

Avenue Fabricating Inc.
1281 Clough Pike
Batavia, OH 45103
(513) 752-1911



2 - ANGLES - 27A21

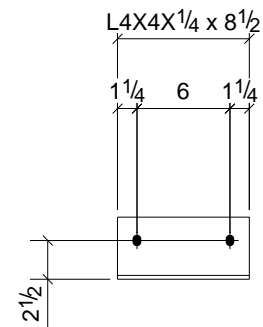
PHASE				
1	2	3	4	5
0	2	0	0	0

A	For Approval	06/18/10	TMc	TAN
REV.	DESCRIPTION	DATE	DWN	CHK
GENERAL NOTES			JOB USE	
MATERIAL: A992 / A36	ELECTRODES: E70XX LH	REF. DRG.	SHOP	
HOLES: 13/16 DIA. U/N	CONN'S.: -		APPROVAL	
SURFACE PREP. SSPC-SP-2 AND PAINT: GREY PRIMER DEVOE NA-195 (U.N.)				
DESCRIPTION: ANGLE				
PROJECT NAME Ross Middle School Addition/Remodel LOCATION Ross Local School District - Hamilton, O				
CONTRACTOR Endeavor				
		DRAWN BY TMc		DATE 06/18/2010
		CHKD. BY TAN		DATE
		JOB No. 10-11	DRG. No. 27A21	REV. 1

BILL OF MATERIAL

SHIP	MARK	NO PCS	DESCRIPTION	LENGTH	PIECE MARK	REMARKS
2	27A21	2	L5X3-1/2X3/8	6'-8"		SQ-2 A36

Avenue Fabricating Inc.
1281 Clough Pike
Batavia, OH 45103
(513) 752-1911



2 - ANGLES - 27A22

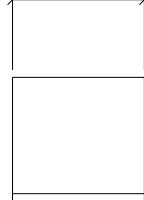
PHASE				
1	2	3	4	5
0	2	0	0	0

A	For Approval	06/18/10	TMc	TAN
REV.	DESCRIPTION	DATE	DWN	CHK
GENERAL NOTES		JOB USE		
MATERIAL: A992 / A36	ELECTRODES: E70XX LH	REF. DRG.		
HOLES: 13/16 DIA. U/N	CONN'S.: -	SHOP		
SURFACE PREP. SSPC-SP-2 AND PAINT: GREY PRIMER DEVOE NA-195 (U.N.)		APPROVAL		
DESCRIPTION: ANGLE				
PROJECT NAME Ross Middle School Addition/Remodel				
LOCATION Ross Local School District - Hamilton, O				
CONTRACTOR Endeavor				
Avenue Fabricating Inc. 1281 Clough Pike Batavia, OH 45103 (513) 752-1911		DRAWN BY TMc		DATE 06/18/2010
		CHKD. BY TAN		DATE
		JOB No. 10-11	DRG. No. 27A22	REV. 1

BILL OF MATERIAL

SHIP	MARK	NO PCS	DESCRIPTION	LENGTH	PIECE MARK	REMARKS
2	27A22	2	L4X4X1/4	0'-8 1/2"		SQ-2 A36

L8X4X1/2 x 8 1/2



2 - ANGLES - 27A23

PHASE				
1	2	3	4	5
0	2	0	0	0

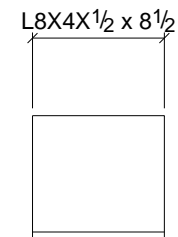
A	For Approval	06/18/10	TMc	TAN
REV.	DESCRIPTION	DATE	DWN	CHK
GENERAL NOTES			JOB USE	
MATERIAL: A992 / A36	ELECTRODES: E70XX LH	REF. DRG.	SHOP	
HOLES: 13/16 DIA. U/N	CONN'S.: -		APPROVAL	
SURFACE PREP. SSPC-SP-2 AND PAINT: GREY PRIMER DEVOE NA-195 (U.N.)				
DESCRIPTION: ANGLE				
PROJECT NAME Ross Middle School Addition/Remodel LOCATION Ross Local School District - Hamilton, O				
CONTRACTOR Endeavor				
		DRAWN BY TMc		DATE 06/18/2010
		CHKD. BY TAN		DATE
		JOB No. 10-11	DRG. No. 27A23	REV. 1

BILL OF MATERIAL

SHIP	MARK	NO PCS	DESCRIPTION	LENGTH	PIECE MARK	REMARKS
2	27A23	2	L8X4X1/2	0'-8 1/2"		SQ-2 A36

Avenue Fabricating Inc.
1281 Clough Pike
Batavia, OH 45103
(513) 752-1911

GRID LOCATION	BOTTOM ELEVATION
cA>/c8	109'-11"1/16
cA>/c8-c	109'-11"1/16
cA>/c8-c	109'-11"1/16
cA>/B>	109'-11"1/16



4 - ANGLES - 27A24

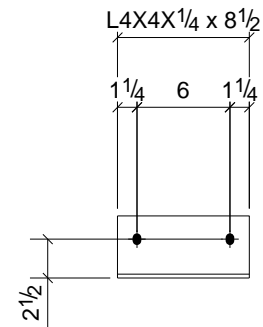
PHASE				
1	2	3	4	5
0	4	0	0	0

A	For Approval	06/18/10	TMc	TAN
REV.	DESCRIPTION	DATE	DWN	CHK
GENERAL NOTES		JOB USE		
MATERIAL: A992 / A36	ELECTRODES: E70XX LH	REF. DRG.		
HOLES: 13/16 DIA. U/N	CONN'S.: -	SHOP		
SURFACE PREP. SSPC-SP-2 AND PAINT: GREY PRIMER DEVOE NA-195 (U.N.)		APPROVAL		
DESCRIPTION: ANGLE				
PROJECT NAME Ross Middle School Addition/Remodel LOCATION Ross Local School District - Hamilton, O				
CONTRACTOR Endeavor				
Avenue Fabricating Inc. 1281 Clough Pike Batavia, OH 45103 (513) 752-1911		DRAWN BY TMc		DATE 06/18/2010
		CHKD. BY TAN		DATE
		JOB No. 10-11	DRG. No. 27A24	REV. 1

BILL OF MATERIAL

SHIP	MARK	NO PCS	DESCRIPTION	LENGTH	PIECE MARK	REMARKS
4	27A24	4	L8X4X1/2	0'-8 1/2"		SQ-2 A36

GRID LOCATION	BOTTOM ELEVATION
cA>/<c8	110'-3"7/16
cA>/<c8	110'-3"7/16
cA>/<c8	110'-3"7/16
cA>/B>	110'-3"7/16



4 - ANGLES - 27A25

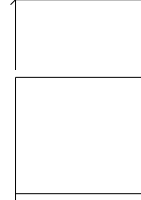
PHASE				
1	2	3	4	5
0	4	0	0	0

A	For Approval	06/18/10	TMc	TAN
REV.	DESCRIPTION	DATE	DWN	CHK
GENERAL NOTES			JOB USE	
MATERIAL: A992 / A36	ELECTRODES: E70XX LH	REF. DRG.	SHOP	
HOLES: 13/16 DIA. U/N	CONN'S.: -		APPROVAL	
SURFACE PREP. SSPC-SP-2 AND PAINT: GREY PRIMER DEVOE NA-195 (U.N.)				
DESCRIPTION: ANGLE				
PROJECT NAME Ross Middle School Addition/Remodel LOCATION Ross Local School District - Hamilton, O				
CONTRACTOR Endeavor				
Avenue Fabricating Inc. 1281 Clough Pike Batavia, OH 45103 (513) 752-1911		DRAWN BY	DATE	
		TMc	06/18/2010	
		CHKD. BY	DATE	
		TAN		
		JOB No.	DRG. No.	REV.
		10-11	27A25	1

BILL OF MATERIAL

SHIP	MARK	NO PCS	DESCRIPTION	LENGTH	PIECE MARK	REMARKS
4	27A25	4	L4X4X1/4	0'-8 1/2"		SQ-2 A36

L8X4X1/2 x 8 1/2



6 - ANGLES - 27A26

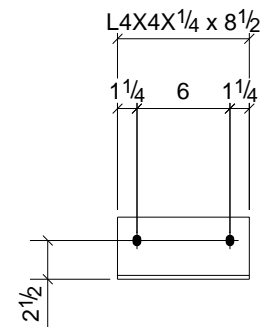
PHASE				
1	2	3	4	5
0	6	0	0	0

A	For Approval	06/18/10	TMc	TAN
REV.	DESCRIPTION	DATE	DWN	CHK
GENERAL NOTES			JOB USE	
MATERIAL: A992 / A36	ELECTRODES: E70XX LH	REF. DRG.	SHOP	
HOLES: 13/16 DIA. U/N	CONN'S.: -		APPROVAL	
SURFACE PREP. SSPC-SP-2 AND PAINT: GREY PRIMER DEVOE NA-195 (U.N.)				
DESCRIPTION: ANGLE				
PROJECT NAME Ross Middle School Addition/Remodel LOCATION Ross Local School District - Hamilton, O				
CONTRACTOR Endeavor				
		DRAWN BY TMc		DATE 06/18/2010
		CHKD. BY TAN		DATE
		JOB No. 10-11	DRG. No. 27A26	REV. 1

BILL OF MATERIAL

SHIP	MARK	NO PCS	DESCRIPTION	LENGTH	PIECE MARK	REMARKS
6	27A26	6	L8X4X1/2	0'-8 1/2"		SQ-2 A36

Avenue Fabricating Inc.
1281 Clough Pike
Batavia, OH 45103
(513) 752-1911



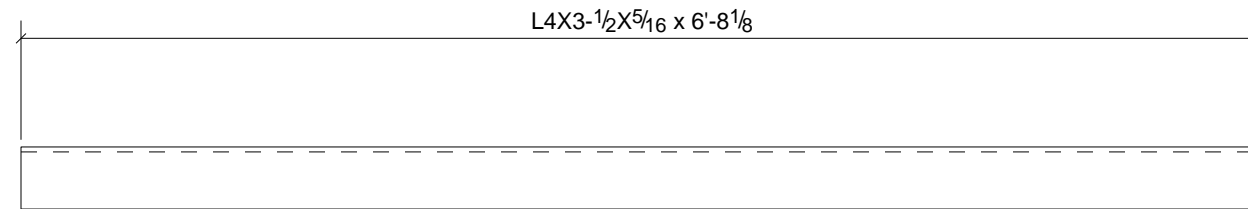
6 - ANGLES - 27A27

PHASE				
1	2	3	4	5
0	6	0	0	0

BILL OF MATERIAL

SHIP	MARK	NO PCS	DESCRIPTION	LENGTH	PIECE MARK	REMARKS
6	27A27	6	L4X4X1/4	0'-8 1/2"		SQ-2 A36

A	For Approval	06/18/10	TMc	TAN
REV.	DESCRIPTION	DATE	DWN	CHK
GENERAL NOTES			JOB USE	
MATERIAL: A992 / A36	ELECTRODES: E70XX LH	REF. DRG.	SHOP	
HOLES: 13/16 DIA. U/N	CONN'S.: -		APPROVAL	
SURFACE PREP. SSPC-SP-2 AND PAINT: GREY PRIMER DEVOE NA-195 (U.N.)				
DESCRIPTION: ANGLE				
PROJECT NAME Ross Middle School Addition/Remodel LOCATION Ross Local School District - Hamilton, O				
CONTRACTOR Endeavor				
		Avenue Fabricating Inc. 1281 Clough Pike Batavia, OH 45103 (513) 752-1911		
		DRAWN BY TMc	DATE 06/18/2010	
		CHKD. BY TAN	DATE	
		JOB No. 10-11	DRG. No. 27A27	REV. 1



4 - ANGLES - 27A28

PHASE				
1	2	3	4	5
0	4	0	0	0

A	For Approval	06/18/10	TMc	TAN
REV.	DESCRIPTION	DATE	DWN	CHK
GENERAL NOTES			JOB USE	
MATERIAL: A992 / A36	ELECTRODES: E70XX LH	REF. DRG.	SHOP	
HOLES: 13/16 DIA. U/N	CONN'S.: -		APPROVAL	
SURFACE PREP. SSPC-SP-2 AND PAINT: GREY PRIMER DEVOE NA-195 (U.N.)				
DESCRIPTION: ANGLE				
PROJECT NAME Ross Middle School Addition/Remodel LOCATION Ross Local School District - Hamilton, O				
CONTRACTOR Endeavor				
		DRAWN BY TMc		DATE 06/18/2010
		CHKD. BY TAN		DATE
		JOB No. 10-11	DRG. No. 27A28	REV. 1

BILL OF MATERIAL

SHIP	MARK	NO PCS	DESCRIPTION	LENGTH	PIECE MARK	REMARKS
4	27A28	4	L4X3-1/2X5/16	6'-8 1/8"		SQ-2 A36

Avenue Fabricating Inc.
1281 Clough Pike
Batavia, OH 45103
(513) 752-1911



PHASE				
1	2	3	4	5
0	9	0	0	0

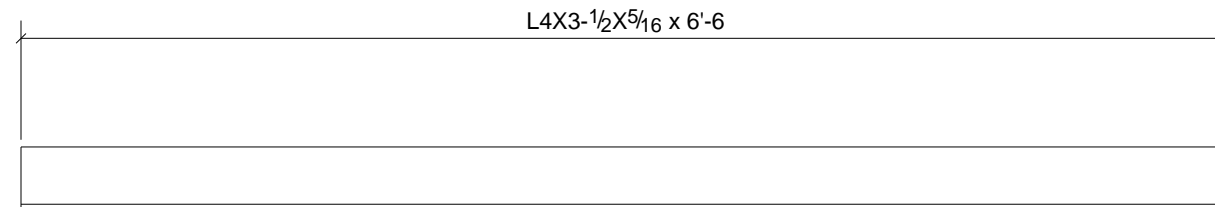
9 - ANGLES - 27A29

A	For Approval	06/18/10	TMc	TAN
REV.	DESCRIPTION	DATE	DWN	CHK
GENERAL NOTES		JOB USE		
MATERIAL: A992 / A36	ELECTRODES: E70XX LH	REF. DRG.		
HOLES: 13/16 DIA. U/N	CONN'S.: -	SHOP		
SURFACE PREP. SSPC-SP-2 AND PAINT: GREY PRIMER DEVOE NA-195 (U.N.)		APPROVAL		
DESCRIPTION: ANGLE				
PROJECT NAME Ross Middle School Addition/Remodel LOCATION Ross Local School District - Hamilton, O				
CONTRACTOR Endeavor				
		DRAWN BY TMc		DATE 06/18/2010
		CHKD. BY TAN		DATE
		JOB No. 10-11	DRG. No. 27A29	REV. 1

BILL OF MATERIAL

SHIP	MARK	NO PCS	DESCRIPTION	LENGTH	PIECE MARK	REMARKS
9	27A29	9	L3X3X1/4	2'-0"		SQ-2 A36

Avenue Fabricating Inc.
1281 Clough Pike
Batavia, OH 45103
(513) 752-1911



PHASE				
1	2	3	4	5
0	4	0	0	0

4 - ANGLES - 27A3

A	For Approval	06/18/10	TMc	TAN
REV.	DESCRIPTION	DATE	DWN	CHK
GENERAL NOTES		JOB USE		
MATERIAL: A992 / A36	ELECTRODES: E70XX LH	REF. DRG.		
HOLES: 13/16 DIA. U/N	CONN'S.: -	SHOP		
SURFACE PREP. SSPC-SP-2 AND PAINT: GREY PRIMER DEVOE NA-195 (U.N.)		APPROVAL		
DESCRIPTION: ANGLE				
PROJECT NAME Ross Middle School Addition/Remodel				
LOCATION Ross Local School District - Hamilton, O				
CONTRACTOR Endeavor				
Avenue Fabricating Inc. 1281 Clough Pike Batavia, OH 45103 (513) 752-1911		DRAWN BY TMc		DATE 06/18/2010
		CHKD. BY TAN		DATE
		JOB No. 10-11	DRG. No. 27A3	REV. 1

BILL OF MATERIAL

SHIP	MARK	NO PCS	DESCRIPTION	LENGTH	PIECE MARK	REMARKS
4	27A3	4	L4X3-1/2X5/16	6'-6"		SQ-2 A36

GRID LOCATION	BOTTOM ELEVATION
<cB/B>	112'-9"1/4
<cB/B>	112'-9"1/4
<cB/B>	112'-4"9/16
<cB/B>	112'-5"1/8
<cB/B>	112'-7"1/16
<cB/B>	112'-5"7/8
<cB/B>	112'-8"



7 - ANGLES - 27A30

PHASE				
1	2	3	4	5
0	7	0	0	0

A	For Approval	06/18/10	TMc	TAN
REV.	DESCRIPTION	DATE	DWN	CHK
GENERAL NOTES			JOB USE	
MATERIAL: A992 / A36	ELECTRODES: E70XX LH	REF. DRG.	SHOP	
HOLES: 13/16 DIA. U/N	CONN'S.: -		APPROVAL	
SURFACE PREP. SSPC-SP-2 AND PAINT: GREY PRIMER DEVOE NA-195 (U.N.)				
DESCRIPTION: ANGLE				
PROJECT NAME Ross Middle School Addition/Remodel LOCATION Ross Local School District - Hamilton, O				
CONTRACTOR Endeavor				
		Avenue Fabricating Inc. 1281 Clough Pike Batavia, OH 45103 (513) 752-1911		
		DRAWN BY TMc	DATE 06/18/2010	
		CHKD. BY TAN	DATE	
		JOB No. 10-11	DRG. No. 27A30	REV. 1

BILL OF MATERIAL

SHIP	MARK	NO PCS	DESCRIPTION	LENGTH	PIECE MARK	REMARKS
7	27A30	7	L3X3X1/4	2'-0"		SQ-2 A36



PHASE				
1	2	3	4	5
0	1	0	0	0

ONE - ANGLE - 27A31

A	For Approval	06/18/10	TMc	TAN
REV.	DESCRIPTION	DATE	DWN	CHK
GENERAL NOTES			JOB USE	
MATERIAL: A992 / A36	ELECTRODES: E70XX LH	REF. DRG.	SHOP	
HOLES: 13/16 DIA. U/N	CONN'S.: -		APPROVAL	
SURFACE PREP. SSPC-SP-2 AND PAINT: GREY PRIMER DEVOE NA-195 (U.N.)				
DESCRIPTION: ANGLE				
PROJECT NAME Ross Middle School Addition/Remodel LOCATION Ross Local School District - Hamilton, O				
CONTRACTOR Endeavor				
		DRAWN BY TMc		DATE 06/18/2010
		CHKD. BY TAN		DATE
		JOB No. 10-11	DRG. No. 27A31	REV. 1

BILL OF MATERIAL

SHIP	MARK	NO PCS	DESCRIPTION	LENGTH	PIECE MARK	REMARKS
1	27A31	1	L3X3X1/4	0'-10"		SQ-2 A36

Avenue Fabricating Inc.
1281 Clough Pike
Batavia, OH 45103
(513) 752-1911

GRID LOCATION	BOTTOM ELEVATION
<C/B>	113'-9"1/4



PHASE				
1	2	3	4	5
0	1	0	0	0

ONE - ANGLE - 27A32

A	For Approval	06/18/10	TMc	TAN
REV.	DESCRIPTION	DATE	DWN	CHK
GENERAL NOTES		JOB USE		
MATERIAL: A992 / A36	ELECTRODES: E70XX LH	REF. DRG.		
HOLES: 13/16 DIA. U/N	CONN'S.: -	SHOP		
SURFACE PREP. SSPC-SP-2 AND PAINT: GREY PRIMER DEVOE NA-195 (U.N.)		APPROVAL		
DESCRIPTION: ANGLE				
PROJECT NAME Ross Middle School Addition/Remodel LOCATION Ross Local School District - Hamilton, O				
CONTRACTOR Endeavor				
		DRAWN BY TMc		DATE 06/18/2010
		CHKD. BY TAN		DATE
		JOB No. 10-11	DRG. No. 27A32	REV. 1

BILL OF MATERIAL

SHIP	MARK	NO PCS	DESCRIPTION	LENGTH	PIECE MARK	REMARKS
1	27A32	1	L3X3X1/4	0'-10"		SQ-2 A36

Avenue Fabricating Inc.
1281 Clough Pike
Batavia, OH 45103
(513) 752-1911

GRID LOCATION	BOTTOM ELEVATION
<cB/B>	112'-9"1/4
<cB/B>	112'-9"1/4
<cB/B>	112'-9"1/4
<cB/B>	112'-9"1/4
<cB/B>	112'-8"11/16



5 - ANGLES - 27A33

PHASE				
1	2	3	4	5
0	5	0	0	0

A	For Approval	06/18/10	TMc	TAN
REV.	DESCRIPTION	DATE	DWN	CHK
GENERAL NOTES			JOB USE	
MATERIAL: A992 / A36	ELECTRODES: E70XX LH	REF. DRG.	SHOP	
HOLES: 13/16 DIA. U/N	CONN'S.: -		APPROVAL	
SURFACE PREP. SSPC-SP-2 AND PAINT: GREY PRIMER DEVOE NA-195 (U.N.)				
DESCRIPTION: ANGLE				
PROJECT NAME Ross Middle School Addition/Remodel LOCATION Ross Local School District - Hamilton, O				
CONTRACTOR Endeavor				
Avenue Fabricating Inc. 1281 Clough Pike Batavia, OH 45103 (513) 752-1911			DRAWN BY TMc	DATE 06/18/2010
			CHKD. BY TAN	DATE
			JOB No. 10-11	DRG. No. 27A33

BILL OF MATERIAL

SHIP	MARK	NO PCS	DESCRIPTION	LENGTH	PIECE MARK	REMARKS
5	27A33	5	L3X3X1/4	2'-0"		SQ-2 A36



3 - ANGLES - 27A34

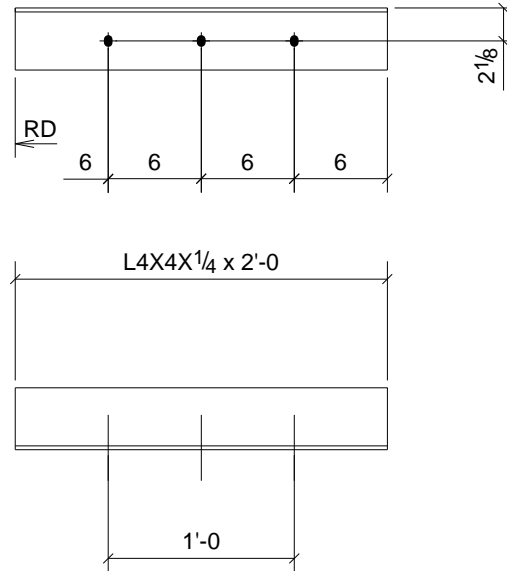
PHASE				
1	2	3	4	5
0	3	0	0	0

A	For Approval	06/18/10	TMc	TAN
REV.	DESCRIPTION	DATE	DWN	CHK
GENERAL NOTES			JOB USE	
MATERIAL: A992 / A36	ELECTRODES: E70XX LH	REF. DRG.	SHOP	
HOLES: 13/16 DIA. U/N	CONN'S.: -		APPROVAL	
SURFACE PREP. SSPC-SP-2 AND PAINT: GREY PRIMER DEVOE NA-195 (U.N.)				
DESCRIPTION: ANGLE				
PROJECT NAME Ross Middle School Addition/Remodel LOCATION Ross Local School District - Hamilton, O				
CONTRACTOR Endeavor				
		DRAWN BY TMc		DATE 06/18/2010
		CHKD. BY TAN		DATE
		JOB No. 10-11	DRG. No. 27A34	REV. 1

BILL OF MATERIAL

SHIP	MARK	NO PCS	DESCRIPTION	LENGTH	PIECE MARK	REMARKS
3	27A34	3	L3X3X1/4	2'-0"		SQ-2 A36

Avenue Fabricating Inc.
 1281 Clough Pike
 Batavia, OH 45103
 (513) 752-1911



2 - ANGLES - 27A35

PHASE				
1	2	3	4	5
0	2	0	0	0

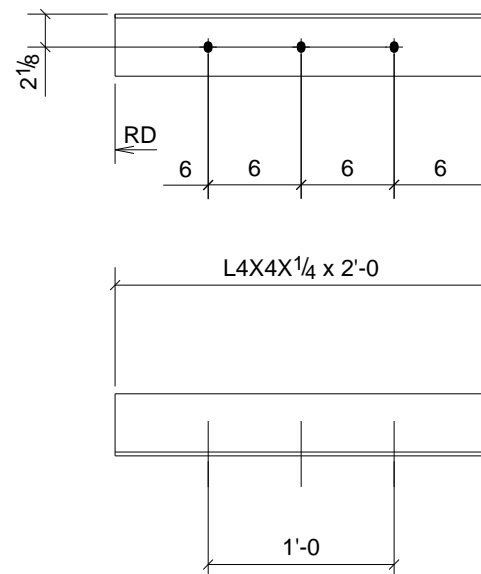
A	For Approval	06/18/10	TMc	TAN
REV.	DESCRIPTION	DATE	DWN	CHK
GENERAL NOTES			JOB USE	
MATERIAL: A992 / A36	ELECTRODES: E70XX LH	REF. DRG.	SHOP	
HOLES: 13/16 DIA. U/N	CONN'S.: -		APPROVAL	
SURFACE PREP. SSPC-SP-2 AND PAINT: GREY PRIMER DEVOE NA-195 (U.N.)				
DESCRIPTION: ANGLE				
PROJECT NAME Ross Middle School Addition/Remodel LOCATION Ross Local School District - Hamilton, O				
CONTRACTOR Endeavor				
		DRAWN BY TMc		DATE 06/18/2010
		CHKD. BY TAN		DATE
		JOB No. 10-11	DRG. No. 27A35	REV. 1

BILL OF MATERIAL

SHIP	MARK	NO PCS	DESCRIPTION	LENGTH	PIECE MARK	REMARKS
2	27A35	2	L4X4X1/4	2'-0"		SQ-2 A36

Avenue Fabricating Inc.
1281 Clough Pike
Batavia, OH 45103
(513) 752-1911

GRID LOCATION	BOTTOM ELEVATION
<cB/B>	112'-7"13/16
<cB/B>	112'-7"13/16



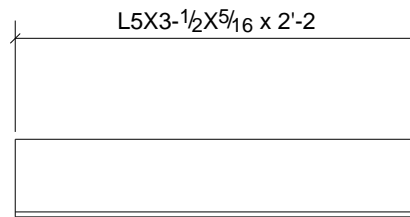
2 - ANGLES - 27A36

PHASE				
1	2	3	4	5
0	2	0	0	0

A	For Approval	06/18/10	TMc	TAN
REV.	DESCRIPTION	DATE	DWN	CHK
GENERAL NOTES			JOB USE	
MATERIAL: A992 / A36	ELECTRODES: E70XX LH	REF. DRG.		
HOLES: 13/16 DIA. U/N	CONN'S.: -	SHOP		
SURFACE PREP. SSPC-SP-2 AND PAINT: GREY PRIMER DEVOE NA-195 (U.N.)			APPROVAL	
DESCRIPTION: ANGLE				
PROJECT NAME: Ross Middle School Addition/Remodel				
LOCATION: Ross Local School District - Hamilton, O				
CONTRACTOR: Endeavor				
Avenue Fabricating Inc. 1281 Clough Pike Batavia, OH 45103 (513) 752-1911			DRAWN BY: TMc	
			DATE: 06/18/2010	
			CHKD. BY: TAN	
JOB No. 10-11		DRG. No. 27A36		REV. 1

BILL OF MATERIAL

SHIP	MARK	NO PCS	DESCRIPTION	LENGTH	PIECE MARK	REMARKS
2	27A36	2	L4X4X1/4	2'-0"		SQ-2 A36



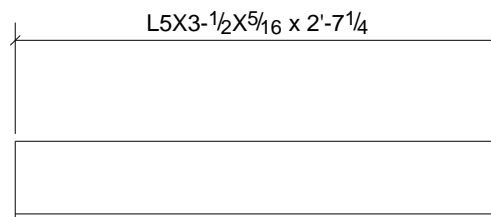
PHASE				
1	2	3	4	5
0	1	0	0	0

ONE - ANGLE - 27A37

A	For Approval	06/18/10	TMc	TAN
REV.	DESCRIPTION	DATE	DWN	CHK
GENERAL NOTES		JOB USE		
MATERIAL: A992 / A36	ELECTRODES: E70XX LH	REF. DRG.		
HOLES: 13/16 DIA. U/N	CONN'S.: -	SHOP		
SURFACE PREP. SSPC-SP-2 AND PAINT: GREY PRIMER DEVOE NA-195 (U.N.)		APPROVAL		
DESCRIPTION: ANGLE				
PROJECT NAME Ross Middle School Addition/Remodel LOCATION Ross Local School District - Hamilton, O				
CONTRACTOR Endeavor				
Avenue Fabricating Inc. 1281 Clough Pike Batavia, OH 45103 (513) 752-1911		DRAWN BY TMc		DATE 06/18/2010
		CHKD. BY TAN		DATE
		JOB No. 10-11	DRG. No. 27A37	REV. 1

BILL OF MATERIAL

SHIP	MARK	NO PCS	DESCRIPTION	LENGTH	PIECE MARK	REMARKS
1	27A37	1	L5X3-1/2X5/16	2'-2"		SQ-2 A36



3 - ANGLES - 27A38

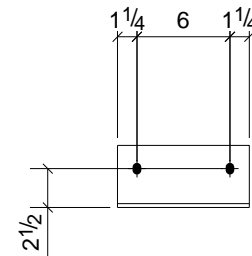
PHASE				
1	2	3	4	5
0	3	0	0	0

A	For Approval	06/18/10	TMc	TAN
REV.	DESCRIPTION	DATE	DWN	CHK
GENERAL NOTES		JOB USE		
MATERIAL: A992 / A36	ELECTRODES: E70XX LH	REF. DRG.		
HOLES: 13/16 DIA. U/N	CONN'S.: -	SHOP		
SURFACE PREP. SSPC-SP-2 AND PAINT: GREY PRIMER DEVOE NA-195 (U.N.)		APPROVAL		
DESCRIPTION: ANGLE				
PROJECT NAME Ross Middle School Addition/Remodel				
LOCATION Ross Local School District - Hamilton, O				
CONTRACTOR Endeavor				
		DRAWN BY TMc		DATE 06/18/2010
		CHKD. BY TAN		DATE
		JOB No. 10-11	DRG. No. 27A38	REV. 1

BILL OF MATERIAL

SHIP	MARK	NO PCS	DESCRIPTION	LENGTH	PIECE MARK	REMARKS
3	27A38	3	L5X3-1/2X5/16	2'-7 1/4"		SQ-2 A36

Avenue Fabricating Inc.
 1281 Clough Pike
 Batavia, OH 45103
 (513) 752-1911



6 - ANGLES - 27A4

PHASE				
1	2	3	4	5
0	6	0	0	0

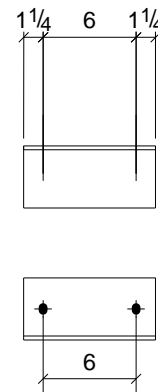
A	For Approval	06/18/10	TMc	TAN
REV.	DESCRIPTION	DATE	DWN	CHK
GENERAL NOTES			JOB USE	
MATERIAL: A992 / A36	ELECTRODES: E70XX LH	REF. DRG.	SHOP	
HOLES: 13/16 DIA. U/N	CONN'S.: -		APPROVAL	
SURFACE PREP. SSPC-SP-2 AND PAINT: GREY PRIMER DEVOE NA-195 (U.N.)				
DESCRIPTION: ANGLE				
PROJECT NAME Ross Middle School Addition/Remodel LOCATION Ross Local School District - Hamilton, O				
CONTRACTOR Endeavor				
		DRAWN BY TMc		DATE 06/18/2010
		CHKD. BY TAN		DATE
		JOB No. 10-11	DRG. No. 27A4	REV. 1

BILL OF MATERIAL

SHIP	MARK	NO PCS	DESCRIPTION	LENGTH	PIECE MARK	REMARKS
6	27A4	6	L4X4X1/4	0'-8 1/2"		SQ-2 A36

Avenue Fabricating Inc.
1281 Clough Pike
Batavia, OH 45103
(513) 752-1911

GRID LOCATION	BOTTOM ELEVATION
<cB/B>	110'-4"3/16
<cB/B>	110'-4"3/16
<cB/B>	110'-4"3/16



PHASE				
1	2	3	4	5
0	3	0	0	0

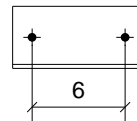
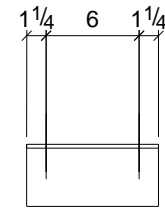
3 - ANGLES - 27A5

BILL OF MATERIAL

SHIP	MARK	NO PCS	DESCRIPTION	LENGTH	PIECE MARK	REMARKS
3	27A5	3	L4X4X1/4	0'-8 1/2"		SQ-2 A36

A	For Approval	06/18/10	TMc	TAN
REV.	DESCRIPTION	DATE	DWN	CHK
GENERAL NOTES			JOB USE	
MATERIAL: A992 / A36	ELECTRODES: E70XX LH	REF. DRG.	SHOP	
HOLES: 13/16 DIA. U/N	CONN'S.: -		APPROVAL	
SURFACE PREP. SSPC-SP-2 AND PAINT: GREY PRIMER DEVOE NA-195 (U.N.)				
DESCRIPTION: ANGLE				
PROJECT NAME Ross Middle School Addition/Remodel LOCATION Ross Local School District - Hamilton, O				
CONTRACTOR Endeavor				
		Avenue Fabricating Inc. 1281 Clough Pike Batavia, OH 45103 (513) 752-1911		
		DRAWN BY TMc	DATE 06/18/2010	
		CHKD. BY TAN	DATE	
		JOB No. 10-11	DRG. No. 27A5	REV. 1

GRID LOCATION	BOTTOM ELEVATION
<C/B>	110'-4"3/16



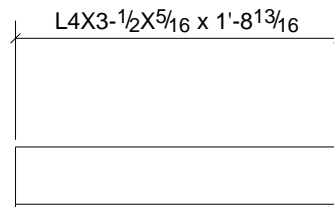
ONE - ANGLE - 27A6

PHASE				
1	2	3	4	5
0	1	0	0	0

A	For Approval	06/18/10	TMc	TAN
REV.	DESCRIPTION	DATE	DWN	CHK
GENERAL NOTES		JOB USE		
MATERIAL: A992 / A36	ELECTRODES: E70XX LH	REF. DRG.		
HOLES: 13/16 DIA. U/N	CONN'S.: -	SHOP		
SURFACE PREP. SSPC-SP-2 AND PAINT: GREY PRIMER DEVOE NA-195 (U.N.)		APPROVAL		
DESCRIPTION: ANGLE				
PROJECT NAME Ross Middle School Addition/Remodel LOCATION Ross Local School District - Hamilton, O				
CONTRACTOR Endeavor				
Avenue Fabricating Inc. 1281 Clough Pike Batavia, OH 45103 (513) 752-1911		DRAWN BY TMc		DATE 06/18/2010
		CHKD. BY TAN		DATE
		JOB No. 10-11	DRG. No. 27A6	REV. 1

BILL OF MATERIAL

SHIP	MARK	NO PCS	DESCRIPTION	LENGTH	PIECE MARK	REMARKS
1	27A6	1	L4X4X1/4	0'-8 1/2"		SQ-2 A36



4 - ANGLES - 27A7

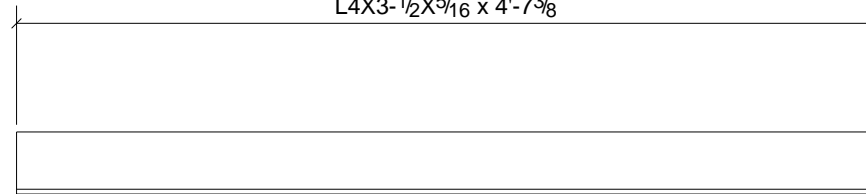
PHASE				
1	2	3	4	5
0	4	0	0	0

A	For Approval	06/18/10	TMc	TAN
REV.	DESCRIPTION	DATE	DWN	CHK
GENERAL NOTES		JOB USE		
MATERIAL: A992 / A36	ELECTRODES: E70XX LH	REF. DRG.		
HOLES: 13/16 DIA. U/N	CONN'S.: -	SHOP		
SURFACE PREP. SSPC-SP-2 AND PAINT: GREY PRIMER DEVOE NA-195 (U.N.)		APPROVAL		
DESCRIPTION: ANGLE				
PROJECT NAME Ross Middle School Addition/Remodel LOCATION Ross Local School District - Hamilton, O				
CONTRACTOR Endeavor				
Avenue Fabricating Inc. 1281 Clough Pike Batavia, OH 45103 (513) 752-1911		DRAWN BY TMc		DATE 06/18/2010
		CHKD. BY TAN		DATE
		JOB No. 10-11	DRG. No. 27A7	REV. 1

BILL OF MATERIAL

SHIP	MARK	NO PCS	DESCRIPTION	LENGTH	PIECE MARK	REMARKS
4	27A7	4	L4X3-1/2X5/16	1'-8 13/16"		SQ-2 A36

L4X3-1/2X5/16 x 4'-7 3/8"



4 - ANGLES - 27A8

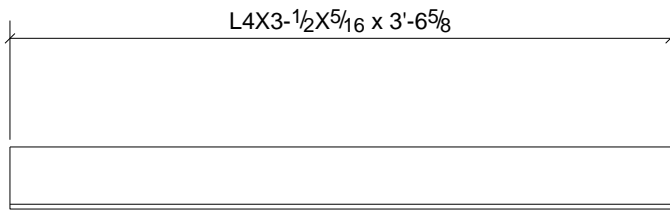
PHASE				
1	2	3	4	5
0	4	0	0	0

A	For Approval	06/18/10	TMc	TAN
REV.	DESCRIPTION	DATE	DWN	CHK
GENERAL NOTES			JOB USE	
MATERIAL: A992 / A36	ELECTRODES: E70XX LH	REF. DRG.	SHOP	
HOLES: 13/16 DIA. U/N	CONN'S.: -		APPROVAL	
SURFACE PREP. SSPC-SP-2 AND PAINT: GREY PRIMER DEVOE NA-195 (U.N.)				
DESCRIPTION: ANGLE				
PROJECT NAME Ross Middle School Addition/Remodel LOCATION Ross Local School District - Hamilton, O				
CONTRACTOR Endeavor				
		DRAWN BY TMc		DATE 06/18/2010
		CHKD. BY TAN		DATE
		JOB No. 10-11	DRG. No. 27A8	REV. 1

BILL OF MATERIAL

SHIP	MARK	NO PCS	DESCRIPTION	LENGTH	PIECE MARK	REMARKS
4	27A8	4	L4X3-1/2X5/16	4'-7 3/8"		SQ-2 A36

Avenue Fabricating Inc.
1281 Clough Pike
Batavia, OH 45103
(513) 752-1911



4 - ANGLES - 27A9

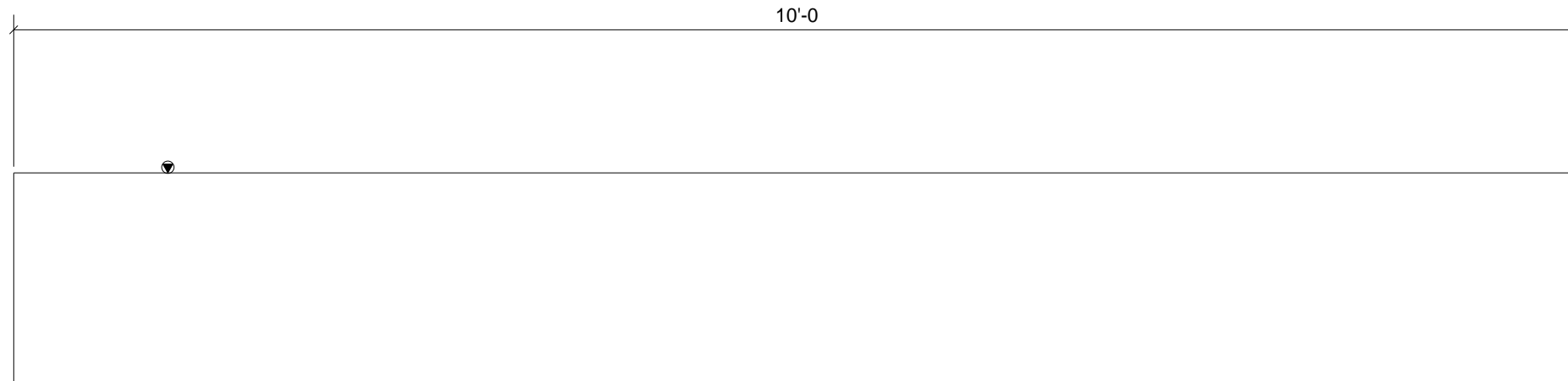
PHASE				
1	2	3	4	5
0	4	0	0	0

A	For Approval	06/18/10	TMc	TAN
REV.	DESCRIPTION	DATE	DWN	CHK
GENERAL NOTES		JOB USE		
MATERIAL: A992 / A36	ELECTRODES: E70XX LH	REF. DRG.		
HOLES: 13/16 DIA. U/N	CONN'S.: -	SHOP		
SURFACE PREP. SSPC-SP-2 AND PAINT: GREY PRIMER DEVOE NA-195 (U.N.)		APPROVAL		
DESCRIPTION: ANGLE				
PROJECT NAME Ross Middle School Addition/Remodel LOCATION Ross Local School District - Hamilton, O				
CONTRACTOR Endeavor				
		DRAWN BY TMc		DATE 06/18/2010
		CHKD. BY TAN		DATE
		JOB No. 10-11	DRG. No. 27A9	REV. 1

BILL OF MATERIAL

SHIP	MARK	NO PCS	DESCRIPTION	LENGTH	PIECE MARK	REMARKS
4	27A9	4	L4X3-1/2X5/16	3'-6 5/8"		SQ-2 A36

Avenue Fabricating Inc.
 1281 Clough Pike
 Batavia, OH 45103
 (513) 752-1911



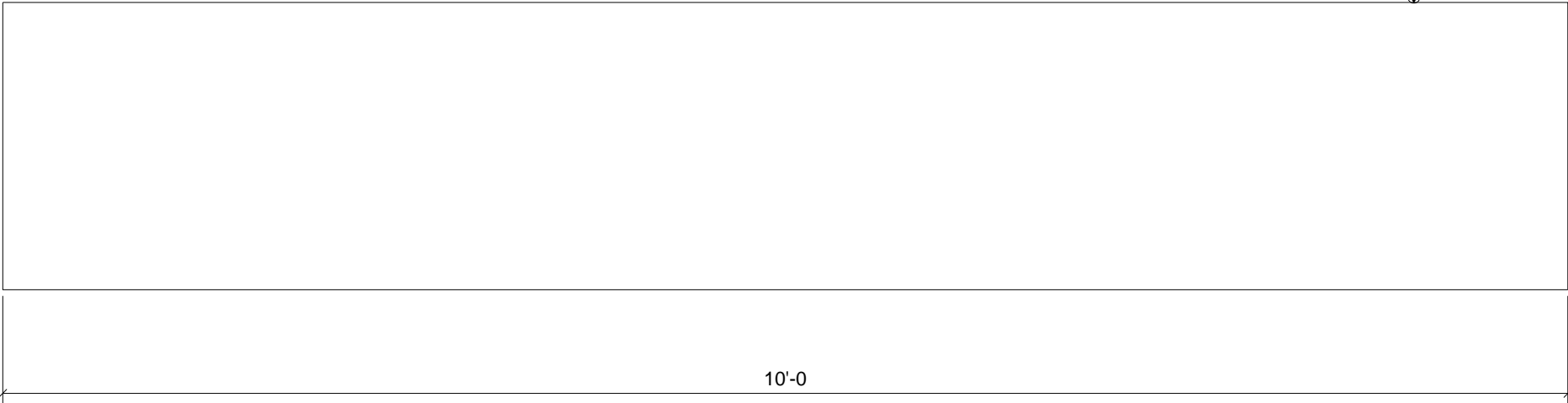
PHASE				
1	2	3	4	5
0	30	0	0	0

30 - PLATES - 27M1

BILL OF MATERIAL

SHIP	MARK	NO PCS	DESCRIPTION	LENGTH	PIECE MARK	REMARKS
30	27M1	30	PL1/4"X16"	10'-0"		SQ-2 A36

A	For Approval	06/18/10	TMc	TAN
REV.	DESCRIPTION	DATE	DWN	CHK
GENERAL NOTES			JOB USE	
MATERIAL: A992 / A36	ELECTRODES: E70XX LH	REF. DRG.	SHOP	
HOLES: 13/16 DIA. U/N	CONN'S.: -		APPROVAL	
SURFACE PREP. SSPC-SP-2 AND PAINT: GREY PRIMER DEVOE NA-195 (U.N.)				
DESCRIPTION: PLATE				
PROJECT NAME Ross Middle School Addition/Remodel LOCATION Ross Local School District - Hamilton, O				
CONTRACTOR Endeavor				
		Avenue Fabricating Inc. 1281 Clough Pike Batavia, OH 45103 (513) 752-1911		
		DRAWN BY TMc	DATE 06/18/2010	
		CHKD. BY TAN	DATE	
		JOB No. 10-11	DRG. No. 27M1	REV. 1



PHASE				
1	2	3	4	5
0	9	0	0	0

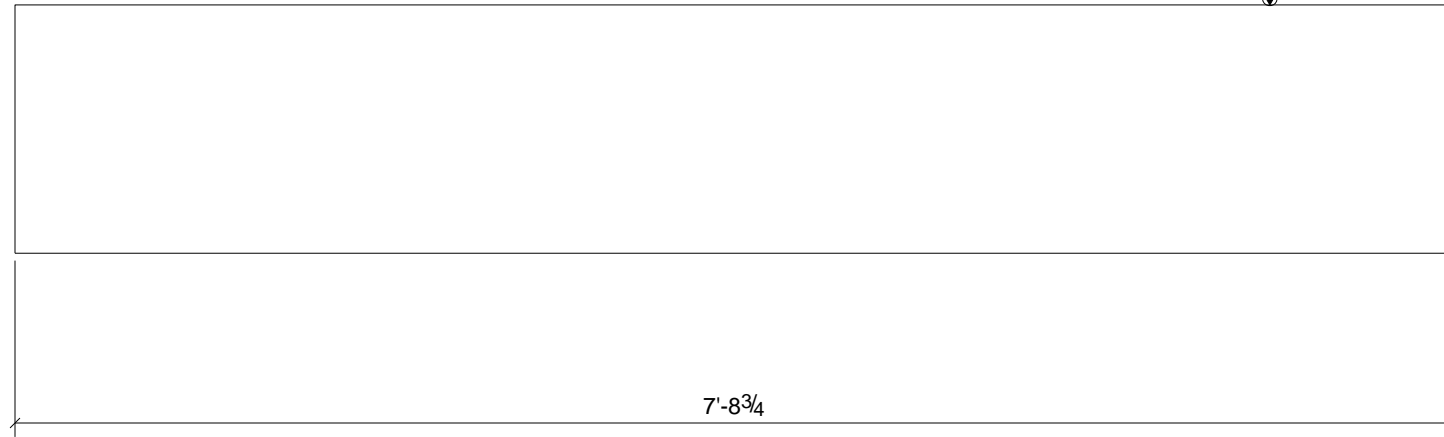
9 - PLATES - 27M10

A	For Approval	06/18/10	TMc	TAN
REV.	DESCRIPTION	DATE	DWN	CHK
GENERAL NOTES			JOB USE	
MATERIAL: A992 / A36	ELECTRODES: E70XX LH	REF. DRG.	SHOP	
HOLES: 13/16 DIA. U/N	CONN'S.: -		APPROVAL	
SURFACE PREP. SSPC-SP-2 AND PAINT: GREY PRIMER DEVOE NA-195 (U.N.)				
DESCRIPTION: PLATE				
PROJECT NAME Ross Middle School Addition/Remodel LOCATION Ross Local School District - Hamilton, O				
CONTRACTOR Endeavor				
		DRAWN BY TMc		DATE 06/18/2010
		CHKD. BY TAN		DATE
		JOB No. 10-11	DRG. No. 27M10	REV. 1

BILL OF MATERIAL

SHIP	MARK	NO PCS	DESCRIPTION	LENGTH	PIECE MARK	REMARKS
9	27M10	9	PL1/4"X22"	10'-0"		SQ-2 A36

Avenue Fabricating Inc.
1281 Clough Pike
Batavia, OH 45103
(513) 752-1911



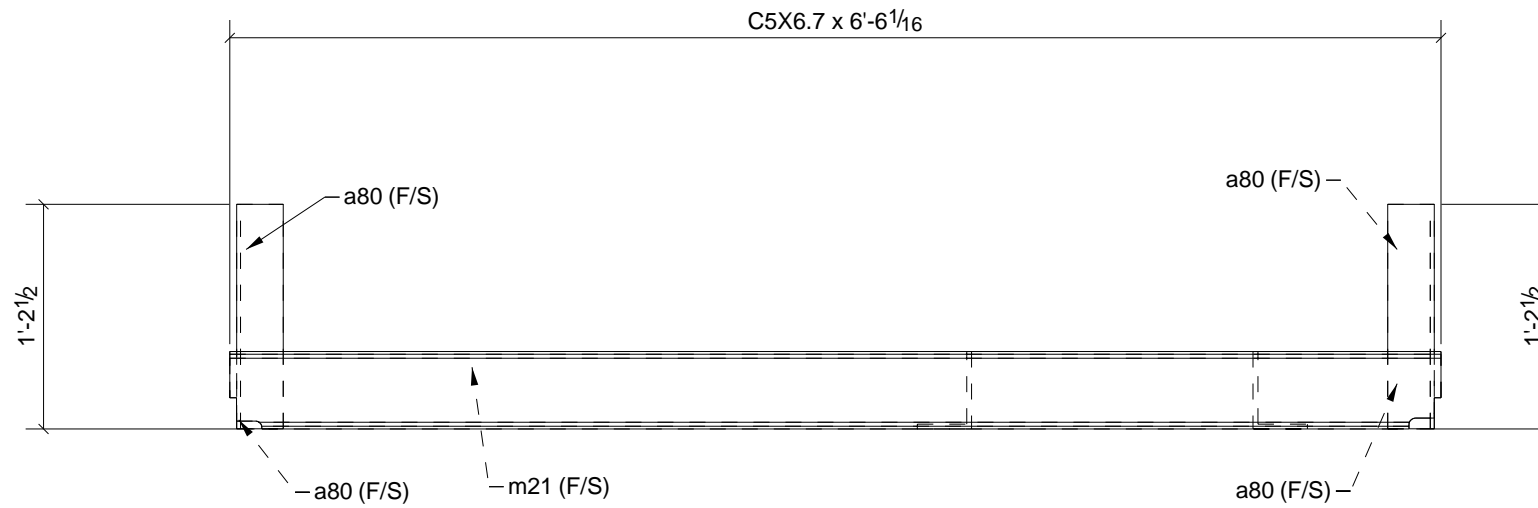
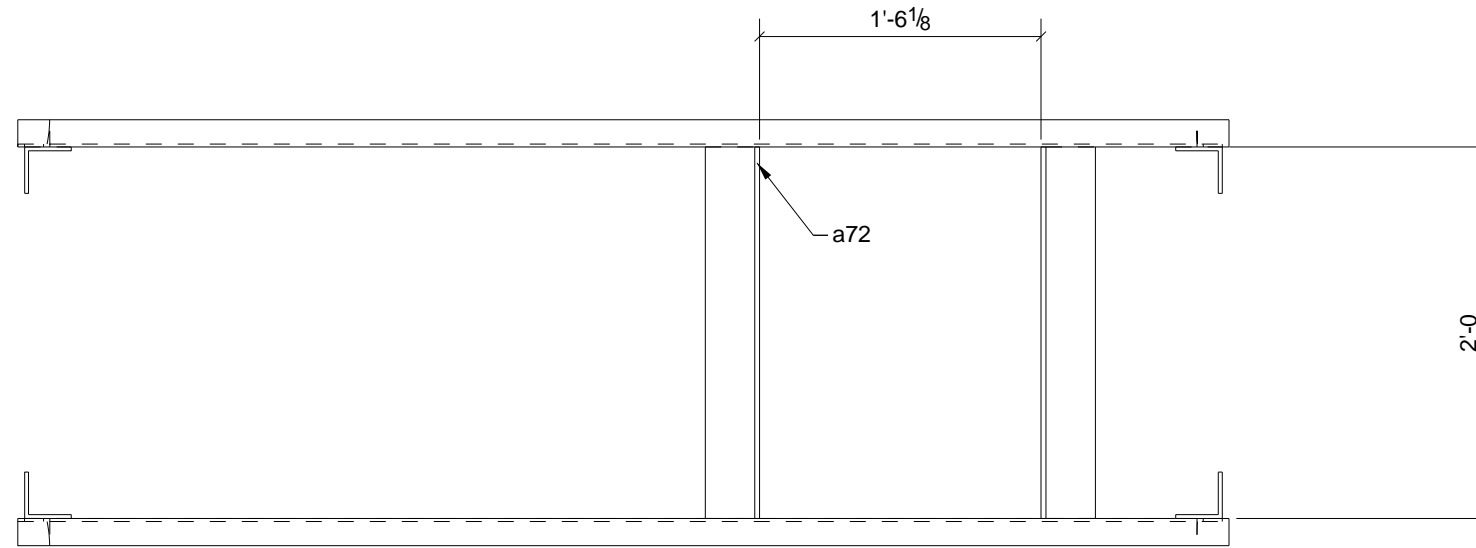
PHASE				
1	2	3	4	5
0	12	0	0	0

12 - PLATES - 27M11

A	For Approval	06/18/10	TMc	TAN
REV.	DESCRIPTION	DATE	DWN	CHK
GENERAL NOTES		JOB USE		
MATERIAL: A992 / A36	ELECTRODES: E70XX LH	REF. DRG.		
HOLES: 13/16 DIA. U/N	CONN'S.: -	SHOP		
SURFACE PREP. SSPC-SP-2 AND PAINT: GREY PRIMER DEVOE NA-195 (U.N.)		APPROVAL		
DESCRIPTION: PLATE				
PROJECT NAME Ross Middle School Addition/Remodel				
LOCATION Ross Local School District - Hamilton, O				
CONTRACTOR Endeavor				
Avenue Fabricating Inc. 1281 Clough Pike Batavia, OH 45103 (513) 752-1911		DRAWN BY TMc		DATE 06/18/2010
		CHKD. BY TAN		DATE
		JOB No. 10-11	DRG. No. 27M11	REV. 1

BILL OF MATERIAL

SHIP	MARK	NO PCS	DESCRIPTION	LENGTH	PIECE MARK	REMARKS
12	27M11	12	PL1/4"X16"	7'-8 3/4"		SQ-2 A36



SHOP NOTE:
 ALL MATERIAL IS PLAIN, ANY CUTS OR
 COPEs OTHER THAN SQUARE CUTS ARE
 FOR DRAFTING REFERENCE ONLY. MARK
 ASSEMBY & SUB MARKS FOR SHIPPING

APPROVER / CONTRACTOR NOTE:
 OVERALL DIMENSIONS ARE FOR REFER-
 ENCE TO REQUEST VERIFICATION OF
 SUFFICIENT MATERIAL FOR FIELD TRIM &
 WELDING ROOF MEMBERS REINFORCING
 HVAC DUCTS & EQUIPMENT, SEE PLANS
 FOR ASSY MARK.

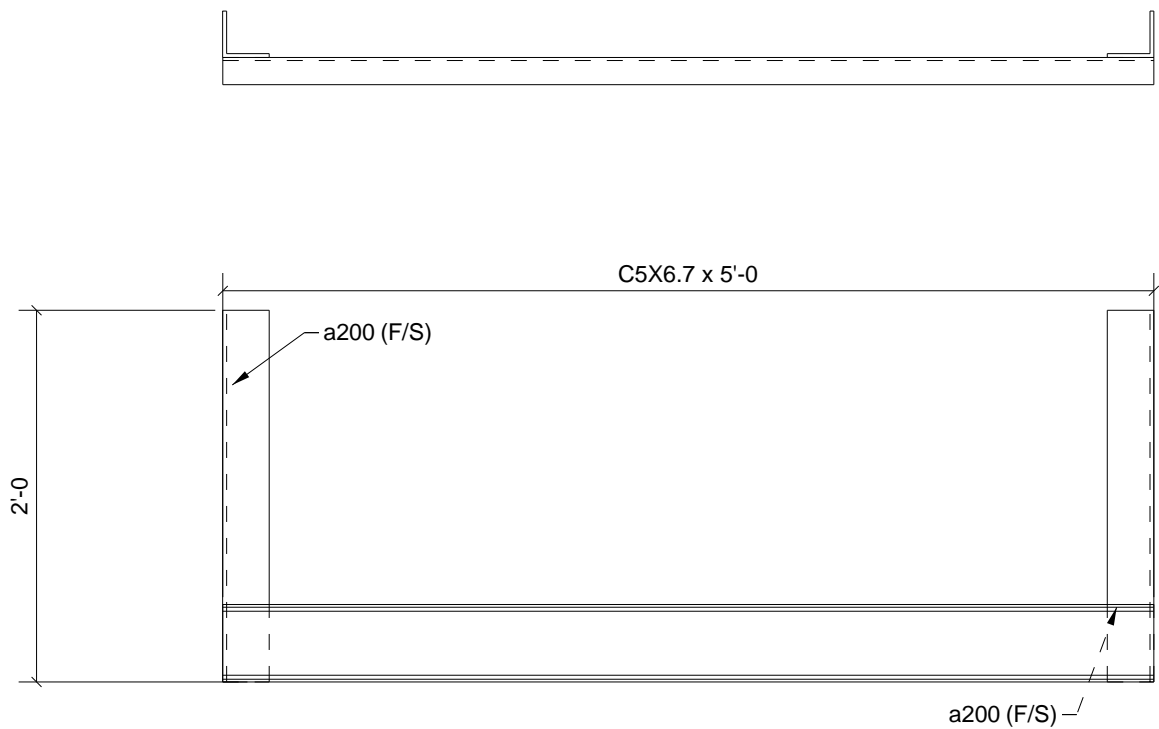
ONE - ROOF FRAME - 27M12

PHASE				
1	2	3	4	5
0	1	0	0	0

A	For Approval	06/18/10	TMc	TAN
REV.	DESCRIPTION	DATE	DWN	CHK
GENERAL NOTES			JOB USE	
MATERIAL: A992 / A36	ELECTRODES: E70XX LH	REF. DRG.		
HOLES: 13/16 DIA. U/N	CONN'S.: -	SHOP		
SURFACE PREP. SSPC-SP-2		APPROVAL		
AND PAINT: GREY PRIMER DEVOE NA-195 (U.N.)				
DESCRIPTION: ROOF FRAME				
PROJECT NAME Ross Middle School Addition/Remodel				
LOCATION Ross Local School District - Hamilton, O				
CONTRACTOR Endeavor				
Avenue Fabricating Inc. 1281 Clough Pike Batavia, OH 45103 (513) 752-1911			DRAWN BY	
			TMc	
			DATE	
			06/18/2010	
			CHKD. BY	
			TAN	
			DATE	
			JOB No.	
			10-11	
			DRG. No.	
			REV.	
			1	

BILL OF MATERIAL

SHIP	MARK	NO PCS	DESCRIPTION	LENGTH	PIECE MARK	REMARKS
1	27M12	1	C5X6.7	6'-6 1/16"		SQ-2 A36
		2	L5X3-1/2X5/16	2'-0"	a72	A36
		4	L3X3X1/4	1'-2 1/2"	a80	A36
		1	C5X6.7	6'-6 1/16"	m21	A36



SHOP NOTE:
 ALL MATERIAL IS PLAIN, ANY CUTS OR
 COPEs OTHER THAN SQUARE CUTS ARE
 FOR DRAFTING REFERENCE ONLY. MARK
 ASSEMBLY & SUB MARKS FOR SHIPPING

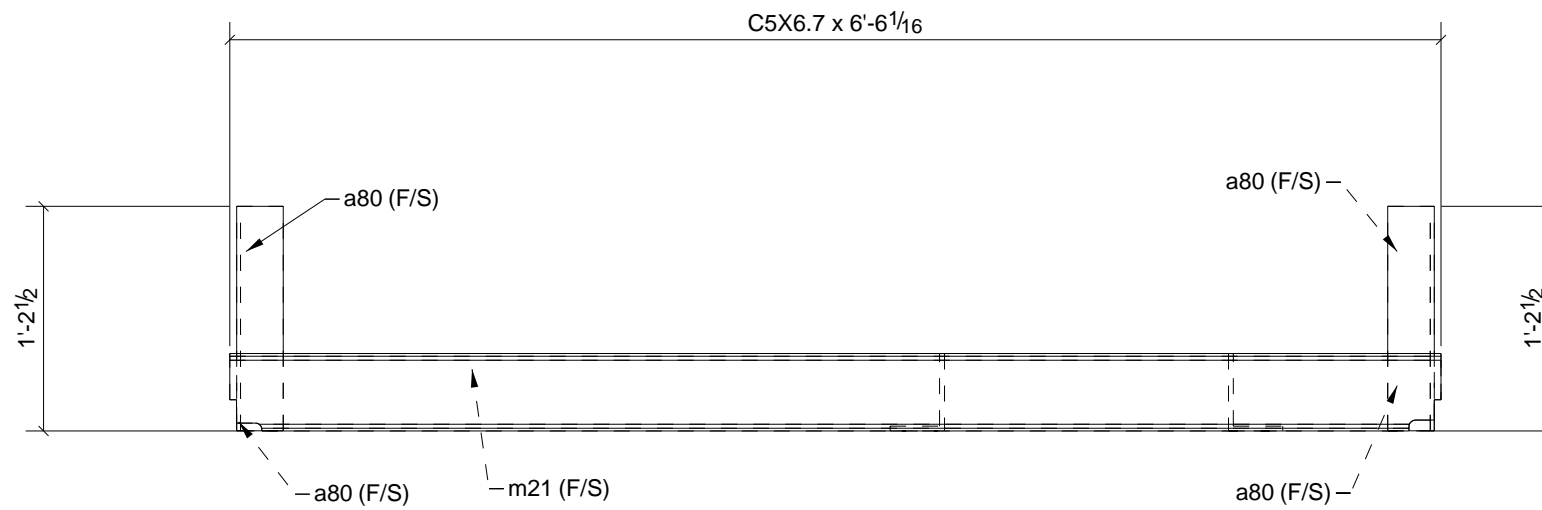
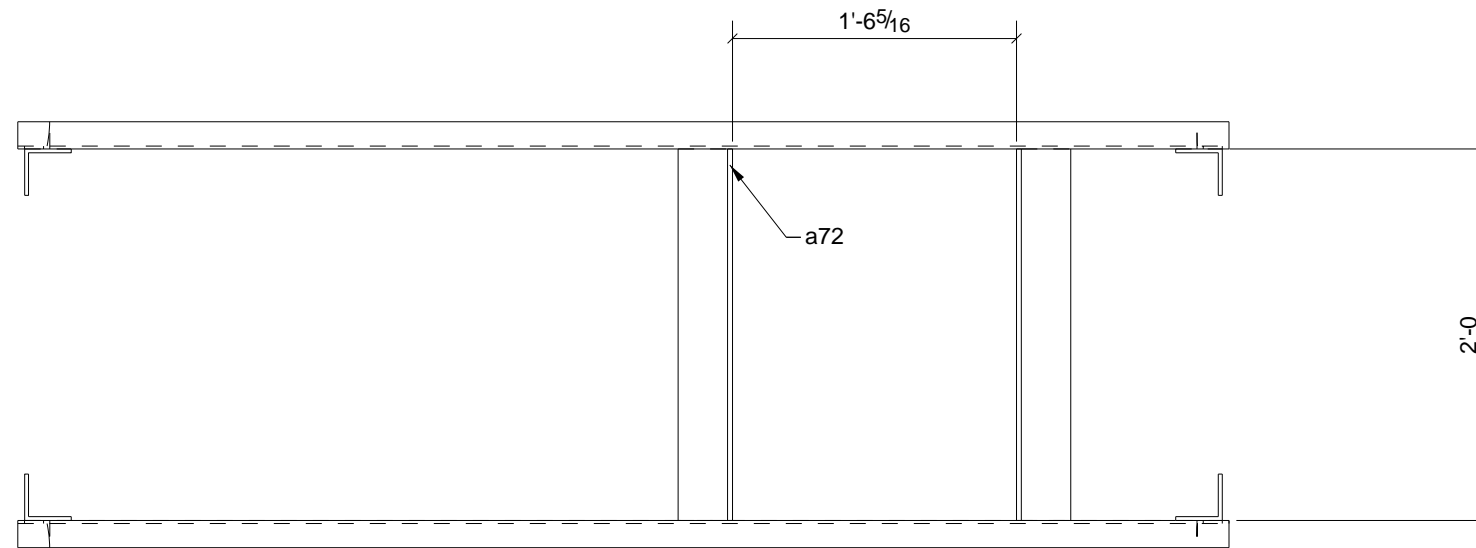
APPROVER / CONTRACTOR NOTE:
 OVERALL DIMENSIONS ARE FOR REFER-
 ENCE TO REQUEST VERIFICATION OF
 SUFFICIENT MATERIAL FOR FIELD TRIM &
 WELDING ROOF MEMBERS REINFORCING
 HVAC DUCTS & EQUIPMENT, SEE PLANS
 FOR ASSY MARK.

PHASE				
1	2	3	4	5
0	19	0	0	0

19 - ROOF FRAMES - 27M13

A	For Approval	06/18/10	TMc	TAN
REV.	DESCRIPTION	DATE	DWN	CHK
GENERAL NOTES				JOB USE
MATERIAL: A992 / A36	ELECTRODES: E70XX LH	REF. DRG.	SHOP	
HOLES: 13/16 DIA. U/N	CONN'S.: -		APPROVAL	
SURFACE PREP. SSPC-SP-2 AND PAINT: GREY PRIMER DEVOE NA-195 (U.N.)				
DESCRIPTION: ROOF FRAME				
PROJECT NAME Ross Middle School Addition/Remodel LOCATION Ross Local School District - Hamilton, O				
CONTRACTOR Endeavor				
Avenue Fabricating Inc. 1281 Clough Pike Batavia, OH 45103 (513) 752-1911			DRAWN BY TMc	DATE 06/18/2010
			CHKD. BY TAN	DATE
			JOB No. 10-11	DRG. No. 27M13 REV. 1

BILL OF MATERIAL						
SHIP	MARK	NO PCS	DESCRIPTION	LENGTH	PIECE MARK	REMARKS
19	27M13	19	C5X6.7	5'-0"		SQ-2 A36
		38	L3X3X1/4	2'-0"	a200	A36



SHOP NOTE:
ALL MATERIAL IS PLAIN, ANY CUTS OR
COPEs OTHER THAN SQUARE CUTS ARE
FOR DRAFTING REFERENCE ONLY. MARK
ASSEMBY & SUB MARKS FOR SHIPPING

APPROVER / CONTRACTOR NOTE:
OVERALL DIMENSIONS ARE FOR REFER-
ENCE TO REQUEST VERIFICATION OF
SUFFICIENT MATERIAL FOR FIELD TRIM &
WELDING ROOF MEMBERS REINFORCING
HVAC DUCTS & EQUIPMENT, SEE PLANS
FOR ASSY MARK.

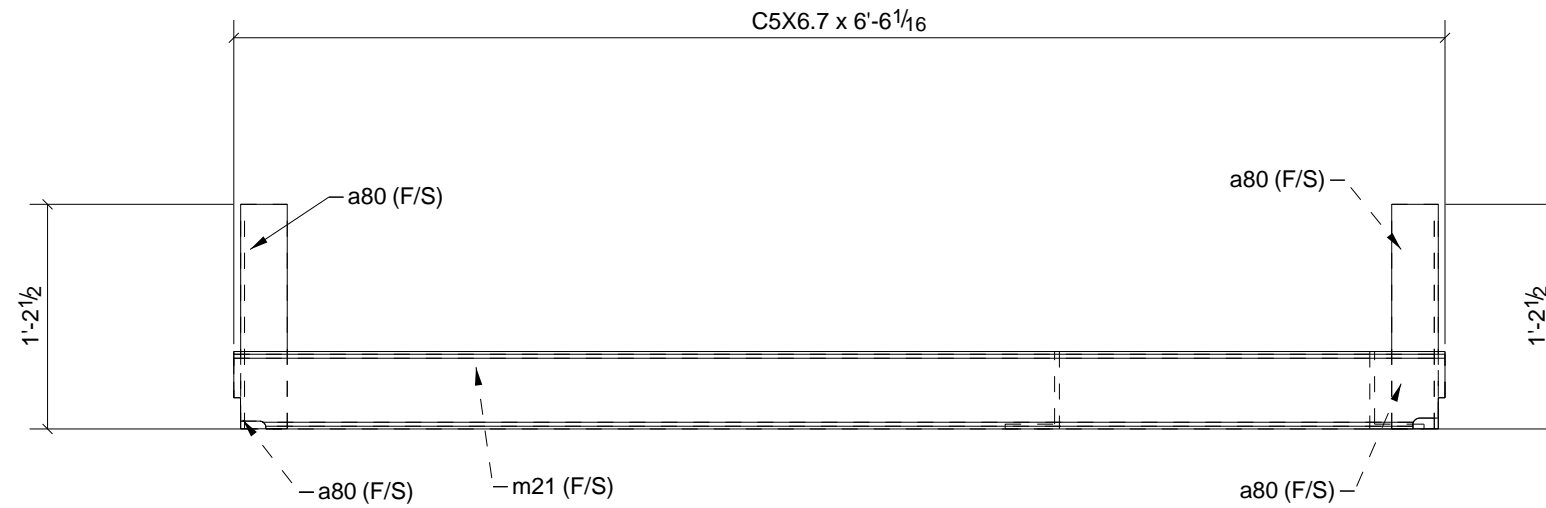
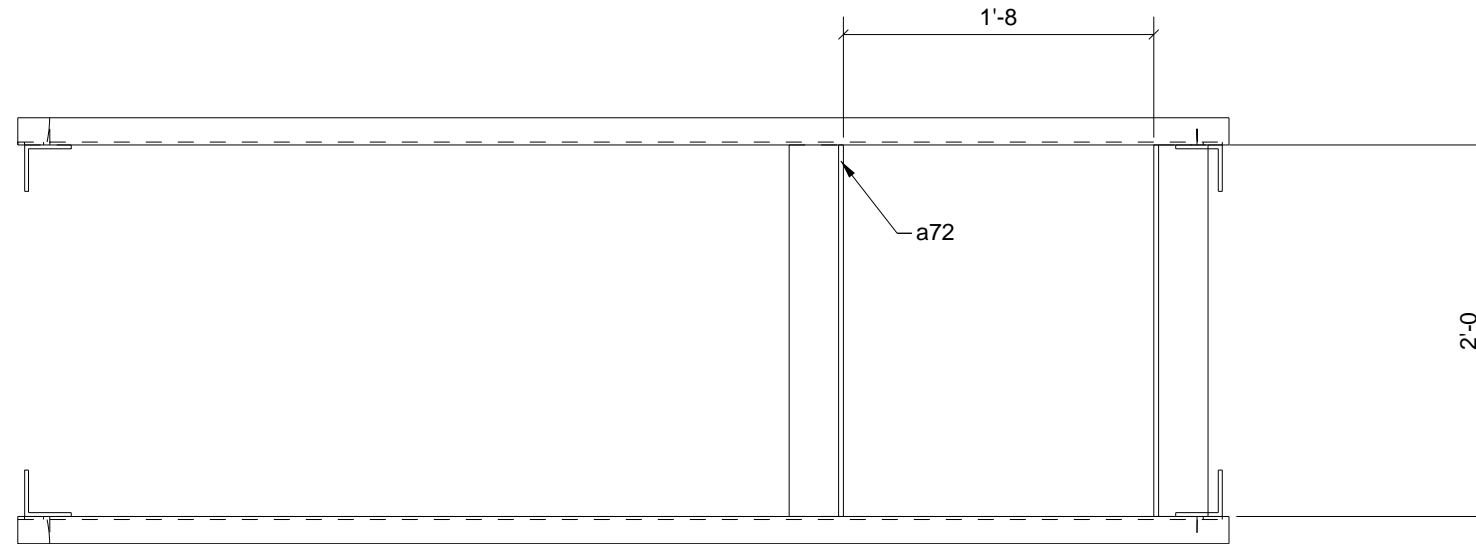
ONE - ROOF FRAME - 27M14

PHASE				
1	2	3	4	5
0	1	0	0	0

A	For Approval	06/18/10	TMc	TAN
REV.	DESCRIPTION	DATE	DWN	CHK
GENERAL NOTES			JOB USE	
MATERIAL: A992 / A36	ELECTRODES: E70XX LH	REF. DRG.		
HOLES: 13/16 DIA. U/N	CONN'S.: -	SHOP		
SURFACE PREP. SSPC-SP-2 AND PAINT: GREY PRIMER DEVOE NA-195 (U.N.)		APPROVAL		
DESCRIPTION: ROOF FRAME				
PROJECT NAME		Ross Middle School Addition/Remodel		
LOCATION		Ross Local School District - Hamilton, O		
CONTRACTOR		Endeavor		
Avenue Fabricating Inc. 1281 Clough Pike Batavia, OH 45103 (513) 752-1911		DRAWN BY		DATE
		TMc		06/18/2010
		CHKD. BY		DATE
		TAN		
JOB No.		DRG. No.	REV.	
10-11		27M14	1	

BILL OF MATERIAL

SHIP	MARK	NO PCS	DESCRIPTION	LENGTH	PIECE MARK	REMARKS
1	27M14	1	C5X6.7	6'-6 1/16"		SQ-2 A36
		2	L5X3-1/2X5/16	2'-0"	a72	A36
		4	L3X3X1/4	1'-2 1/2"	a80	A36
		1	C5X6.7	6'-6 1/16"	m21	A36



SHOP NOTE:
ALL MATERIAL IS PLAIN, ANY CUTS OR
COPEs OTHER THAN SQUARE CUTS ARE
FOR DRAFTING REFERENCE ONLY. MARK
ASSEMBY & SUB MARKS FOR SHIPPING

APPROVER / CONTRACTOR NOTE:
OVERALL DIMENSIONS ARE FOR REFER-
ENCE TO REQUEST VERIFICATION OF
SUFFICIENT MATERIAL FOR FIELD TRIM &
WELDING ROOF MEMBERS REINFORCING
HVAC DUCTS & EQUIPMENT, SEE PLANS
FOR ASSY MARK.

ONE - ROOF FRAME - 27M15

PHASE				
1	2	3	4	5
0	1	0	0	0

A	For Approval	06/18/10	TMc	TAN
REV.	DESCRIPTION	DATE	DWN	CHK

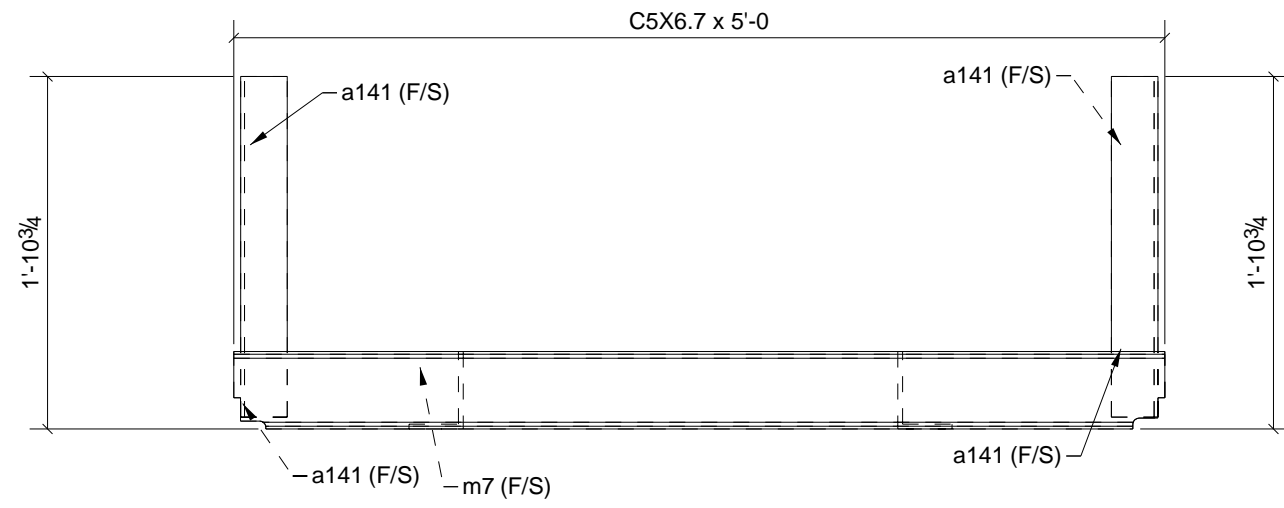
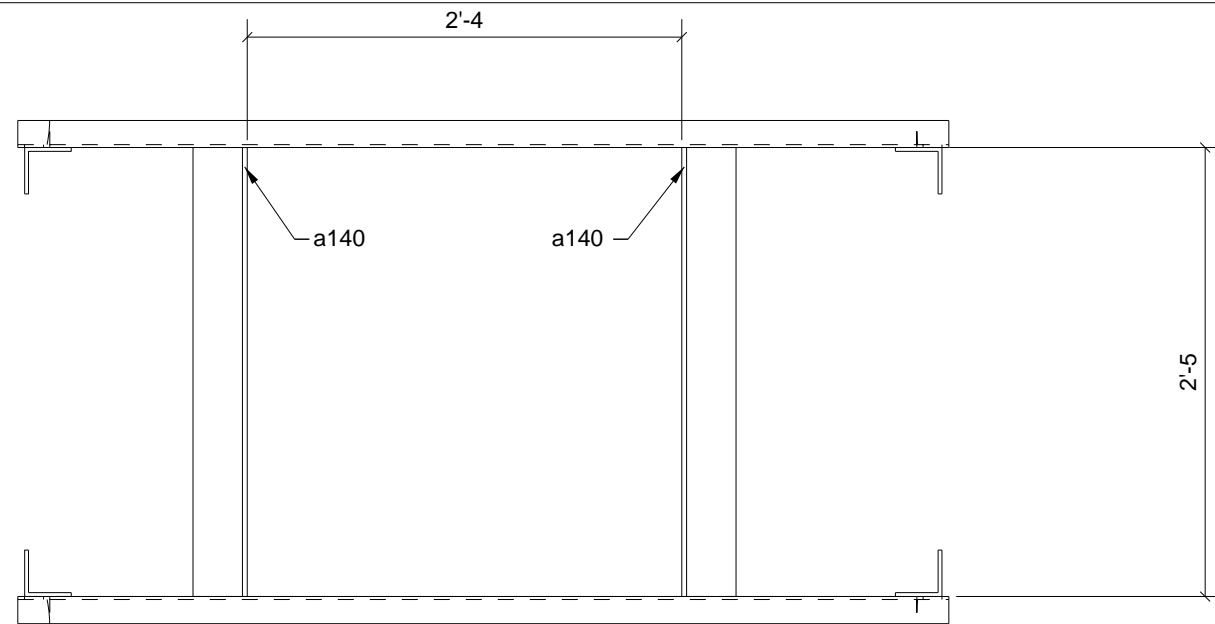
GENERAL NOTES			JOB USE
MATERIAL: A992 / A36	ELECTRODES: E70XX LH	REF. DRG.	
HOLES: 13/16 DIA. U/N	CONN'S.: -		SHOP
SURFACE PREP. SSPC-SP-2 AND PAINT: GREY PRIMER DEVOE NA-195 (U.N.)			APPROVAL

DESCRIPTION:	ROOF FRAME
PROJECT NAME	Ross Middle School Addition/Remodel
LOCATION	Ross Local School District - Hamilton, O
CONTRACTOR	Endeavor

BILL OF MATERIAL						
SHIP	MARK	NO PCS	DESCRIPTION	LENGTH	PIECE MARK	REMARKS
1	27M15	1	C5X6.7	6'-6 1/16"		SQ-2 A36
		2	L5X3-1/2X5/16	2'-0"	a72	A36
		4	L3X3X1/4	1'-2 1/2"	a80	A36
		1	C5X6.7	6'-6 1/16"	m21	A36

Avenue Fabricating Inc.
1281 Clough Pike
Batavia, OH 45103
(513) 752-1911

DRAWN BY	TMc	DATE	06/18/2010
CHKD. BY	TAN	DATE	
JOB No.	10-11	DRG. No.	27M15
		REV.	1



SHOP NOTE:
 ALL MATERIAL IS PLAIN, ANY CUTS OR
 COPEs OTHER THAN SQUARE CUTS ARE
 FOR DRAFTING REFERENCE ONLY. MARK
 ASSEMBLY & SUB MARKS FOR SHIPPING

APPROVER / CONTRACTOR NOTE:
 OVERALL DIMENSIONS ARE FOR REFER-
 ENCE TO REQUEST VERIFICATION OF
 SUFFICIENT MATERIAL FOR FIELD TRIM &
 WELDING ROOF MEMBERS REINFORCING
 HVAC DUCTS & EQUIPMENT, SEE PLANS
 FOR ASSY MARK.

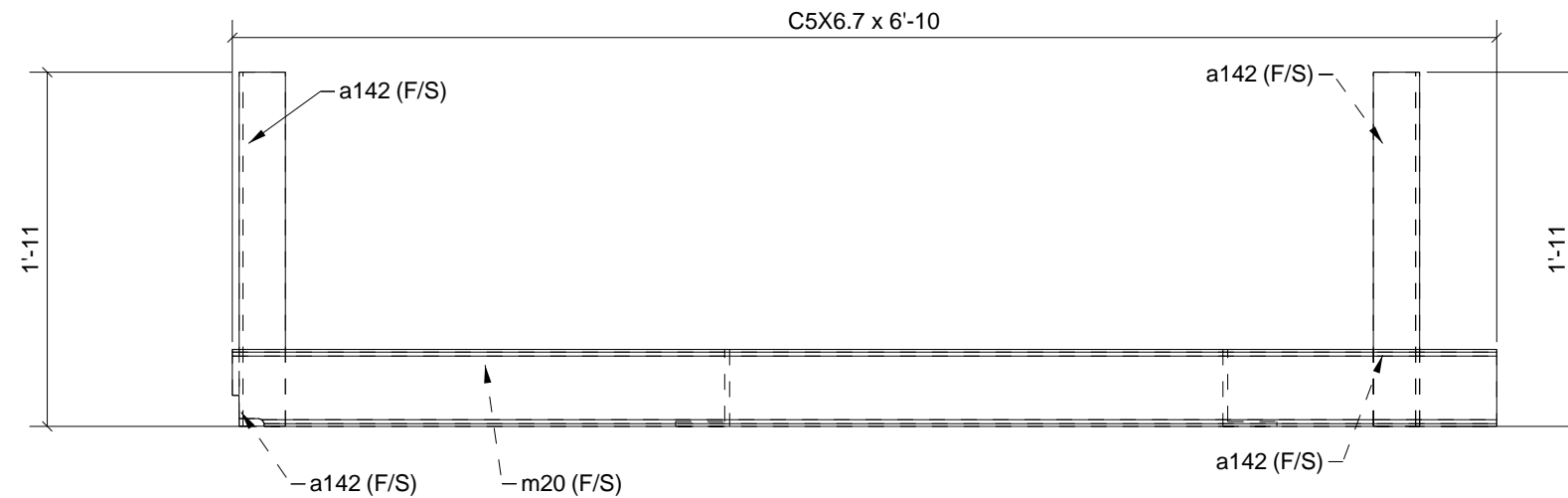
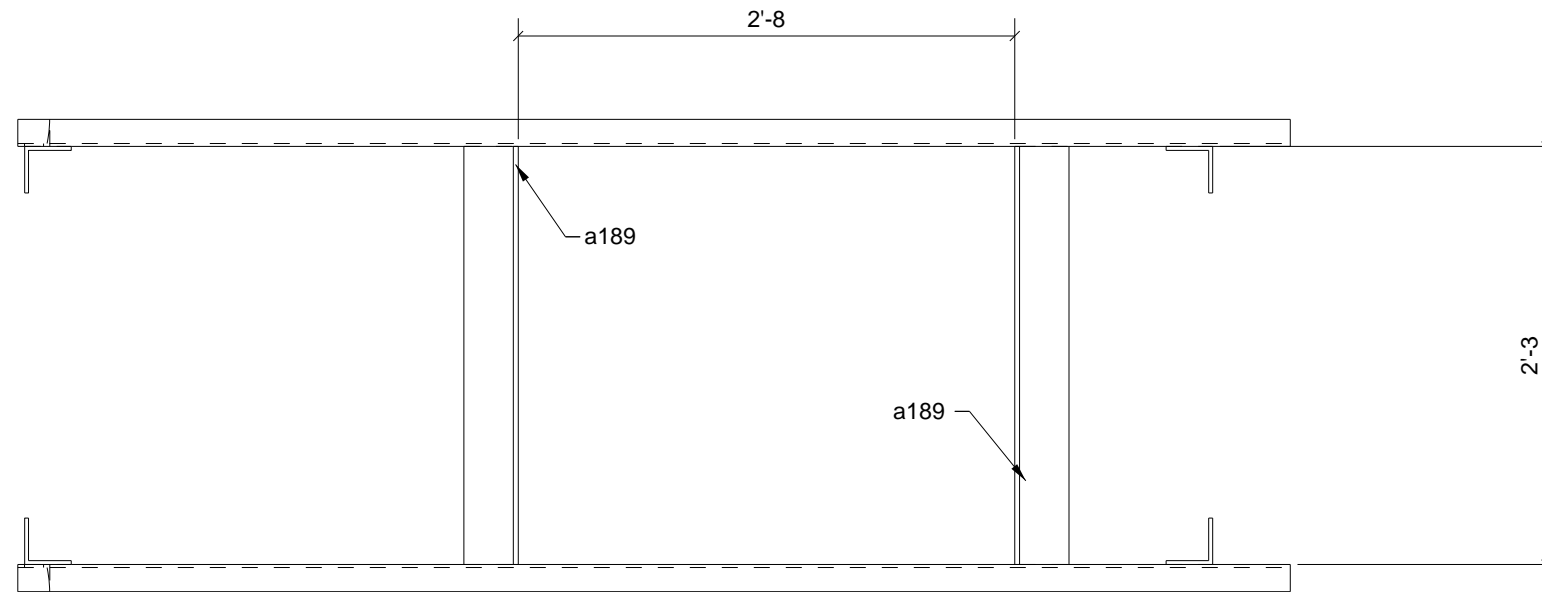
ONE - ROOF FRAME - 27M16

PHASE				
1	2	3	4	5
0	1	0	0	0

A	For Approval	06/18/10	TMc	TAN
REV.	DESCRIPTION	DATE	DWN	CHK
GENERAL NOTES			JOB USE	
MATERIAL: A992 / A36	ELECTRODES: E70XX LH	REF. DRG.		
HOLES: 13/16 DIA. U/N	CONN'S.: -	SHOP		
SURFACE PREP. SSPC-SP-2		APPROVAL		
AND PAINT: GREY PRIMER DEVOE NA-195 (U.N.)				
DESCRIPTION: ROOF FRAME				
PROJECT NAME Ross Middle School Addition/Remodel				
LOCATION Ross Local School District - Hamilton, O				
CONTRACTOR Endeavor				
Avenue Fabricating Inc. 1281 Clough Pike Batavia, OH 45103 (513) 752-1911			DRAWN BY	
			TMc	
			DATE	
			06/18/2010	
			CHKD. BY	
			TAN	
			DATE	
			JOB No.	
			10-11	
			DRG. No.	
			REV.	
			1	

BILL OF MATERIAL

SHIP	MARK	NO PCS	DESCRIPTION	LENGTH	PIECE MARK	REMARKS
1	27M16	1	C5X6.7	5'-0"		SQ-2 A36
		2	L5X3-1/2X5/16	2'-5"	a140	A36
		4	L3X3X1/4	1'-10"	a141	A36
		1	C5X6.7	5'-0"	m7	A36



SHOP NOTE:
ALL MATERIAL IS PLAIN, ANY CUTS OR
COPIES OTHER THAN SQUARE CUTS ARE
FOR DRAFTING REFERENCE ONLY. MARK
ASSEMBLY & SUB MARKS FOR SHIPPING

APPROVER / CONTRACTOR NOTE:
OVERALL DIMENSIONS ARE FOR REFER-
ENCE TO REQUEST VERIFICATION OF
SUFFICIENT MATERIAL FOR FIELD TRIM &
WELDING ROOF MEMBERS REINFORCING
HVAC DUCTS & EQUIPMENT, SEE PLANS
FOR ASSY MARK.

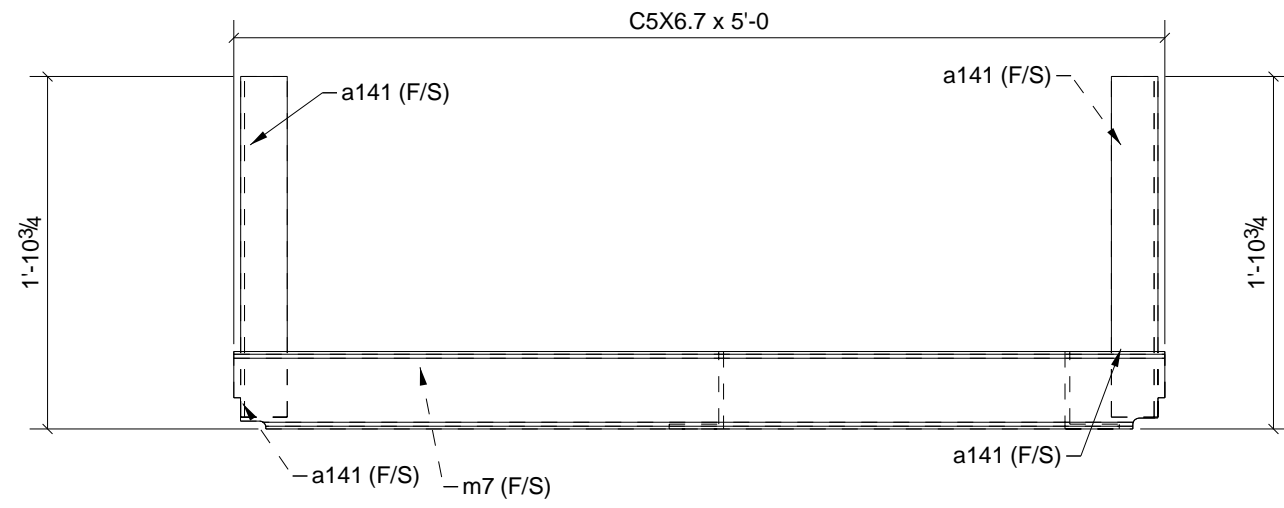
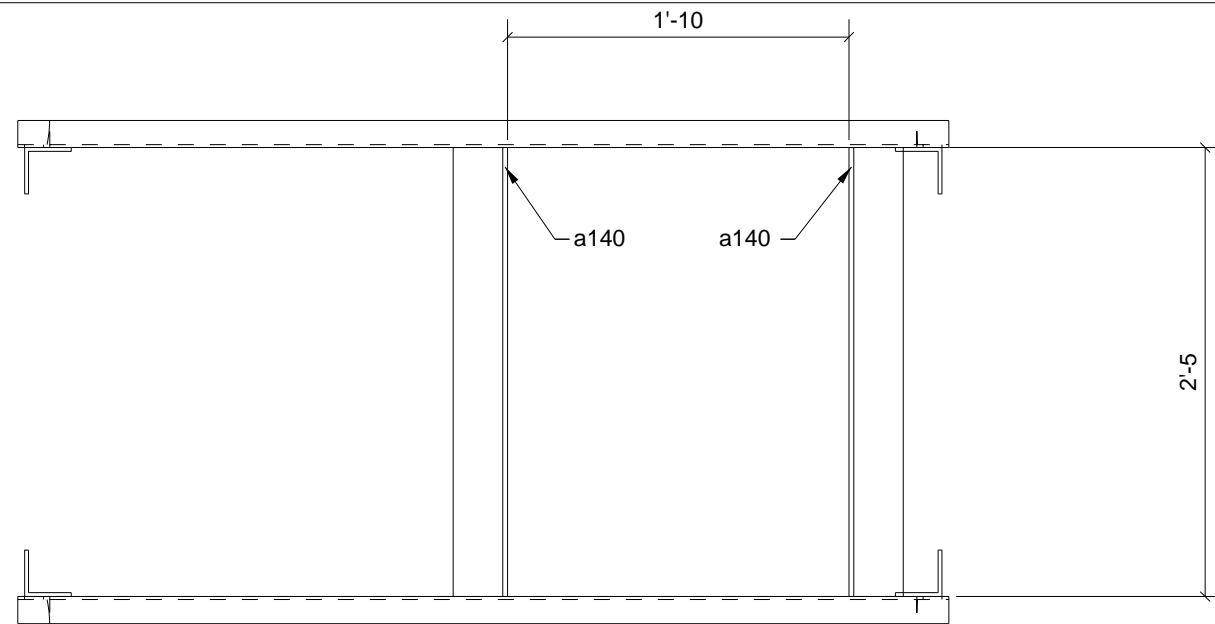
ONE - ROOF FRAME - 27M17

PHASE				
1	2	3	4	5
0	1	0	0	0

A	For Approval	06/18/10	TMc	TAN
REV.	DESCRIPTION	DATE	DWN	CHK
GENERAL NOTES			JOB USE	
MATERIAL: A992 / A36		ELECTRODES: E70XX LH	REF. DRG.	
HOLES: 13/16 DIA. U/N		CONN'S.: -	SHOP	
SURFACE PREP. SSPC-SP-2			APPROVAL	
AND PAINT: GREY PRIMER DEVOE NA-195 (U.N.)				
DESCRIPTION: ROOF FRAME				
PROJECT NAME Ross Middle School Addition/Remodel				
LOCATION Ross Local School District - Hamilton, O				
CONTRACTOR Endeavor				
Avenue Fabricating Inc. 1281 Clough Pike Batavia, OH 45103 (513) 752-1911			DRAWN BY	
			TMc	
			DATE	
			06/18/2010	
			CHKD. BY	
			TAN	
			DATE	
			JOB No.	
			10-11	
			DRG. No.	
			REV.	
			1	

BILL OF MATERIAL

SHIP	MARK	NO PCS	DESCRIPTION	LENGTH	PIECE MARK	REMARKS
1	27M17	1	C5X6.7	6'-10"		SQ-2 A36
		4	L3X3X1/4	1'-11"	a142	A36
		2	L5X3-1/2X5/16	2'-3"	a189	A36
		1	C5X6.7	6'-10"	m20	A36



SHOP NOTE:
ALL MATERIAL IS PLAIN, ANY CUTS OR
COPEs OTHER THAN SQUARE CUTS ARE
FOR DRAFTING REFERENCE ONLY. MARK
ASSEMBLY & SUB MARKS FOR SHIPPING

APPROVER / CONTRACTOR NOTE:
OVERALL DIMENSIONS ARE FOR REFER-
ENCE TO REQUEST VERIFICATION OF
SUFFICIENT MATERIAL FOR FIELD TRIM &
WELDING ROOF MEMBERS REINFORCING
HVAC DUCTS & EQUIPMENT, SEE PLANS
FOR ASSY MARK.

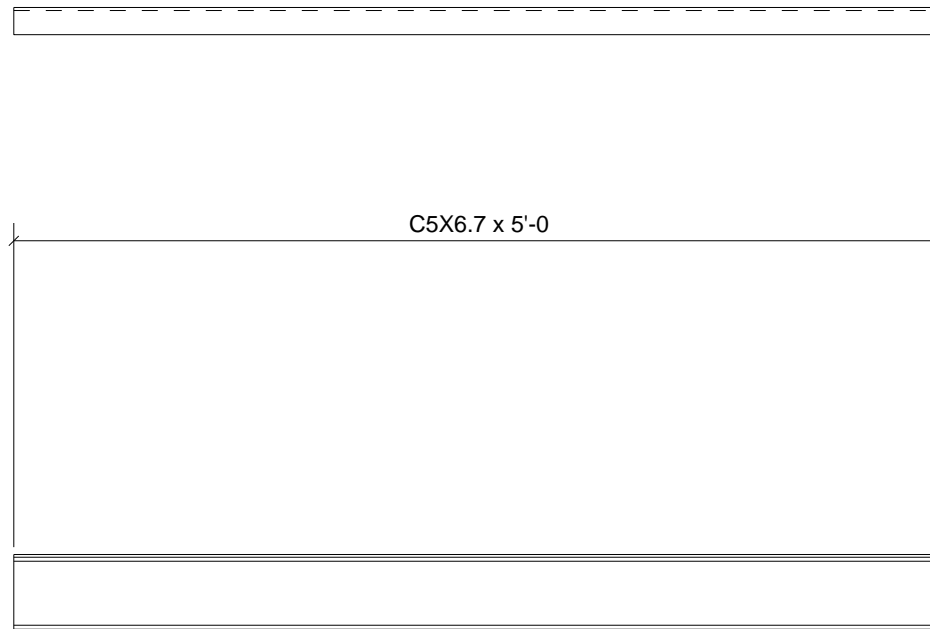
ONE - ROOF FRAME - 27M18

PHASE				
1	2	3	4	5
0	1	0	0	0

A	For Approval	06/18/10	TMc	TAN
REV.	DESCRIPTION	DATE	DWN	CHK
GENERAL NOTES			JOB USE	
MATERIAL: A992 / A36	ELECTRODES: E70XX LH	REF. DRG.	SHOP	
HOLES: 13/16 DIA. U/N	CONN'S.: -		APPROVAL	
SURFACE PREP. SSPC-SP-2				
AND PAINT: GREY PRIMER DEVOE NA-195 (U.N.)				
DESCRIPTION: ROOF FRAME				
PROJECT NAME		Ross Middle School Addition/Remodel		
LOCATION		Ross Local School District - Hamilton, O		
CONTRACTOR		Endeavor		
<p style="text-align: center;">Avenue Fabricating Inc. 1281 Clough Pike Batavia, OH 45103 (513) 752-1911</p>		DRAWN BY		DATE
		TMc		06/18/2010
		CHKD. BY		DATE
		TAN		
JOB No.		DRG. No.	REV.	
10-11		27M18	1	

BILL OF MATERIAL

SHIP	MARK	NO PCS	DESCRIPTION	LENGTH	PIECE MARK	REMARKS
1	27M18	1	C5X6.7	5'-0"		SQ-2 A36
		2	L5X3-1/2X5/16	2'-5"	a140	A36
		4	L3X3X1/4	1'-10"	a141	A36
		1	C5X6.7	5'-0"	m7	A36



SHOP NOTE:
 ALL MATERIAL IS PLAIN, ANY CUTS OR
 COPEs OTHER THAN SQUARE CUTS ARE
 FOR DRAFTING REFERENCE ONLY. MARK
 ASSEMBY & SUB MARKS FOR SHIPPING

APPROVER / CONTRACTOR NOTE:
 OVERALL DIMENSIONS ARE FOR REFER-
 ENCE TO REQUEST VERIFICATION OF
 SUFFICIENT MATERIAL FOR FIELD TRIM &
 WELDING ROOF MEMBERS REINFORCING
 HVAC DUCTS & EQUIPMENT, SEE PLANS
 FOR ASSY MARK.

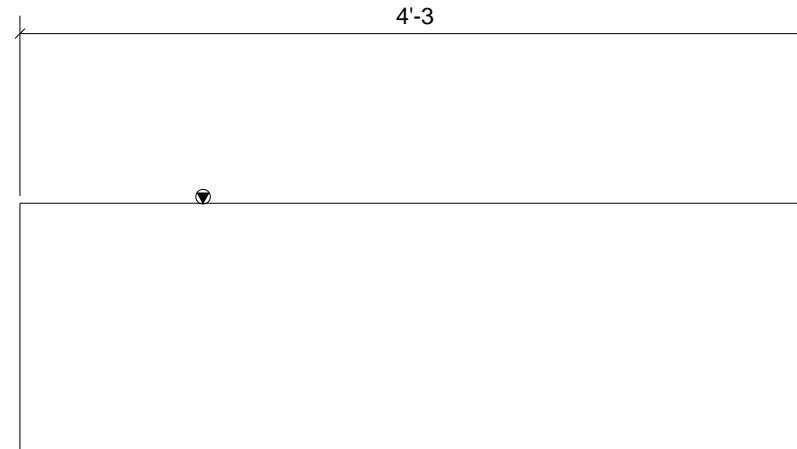
9 - ROOF FRAMES - 27M19

PHASE				
1	2	3	4	5
0	9	0	0	0

A	For Approval	06/18/10	TMc	TAN
REV.	DESCRIPTION	DATE	DWN	CHK
GENERAL NOTES			JOB USE	
MATERIAL: A992 / A36	ELECTRODES: E70XX LH	REF. DRG.	SHOP	
HOLES: 13/16 DIA. U/N	CONN'S.: -		APPROVAL	
SURFACE PREP. SSPC-SP-2 AND PAINT: GREY PRIMER DEVOE NA-195 (U.N.)				
DESCRIPTION: ROOF FRAME				
PROJECT NAME Ross Middle School Addition/Remodel LOCATION Ross Local School District - Hamilton, O				
CONTRACTOR Endeavor				
Avenue Fabricating Inc. 1281 Clough Pike Batavia, OH 45103 (513) 752-1911		DRAWN BY TMc	DATE 06/18/2010	
		CHKD. BY TAN	DATE	
		JOB No. 10-11	DRG. No. 27M19	REV. 1

BILL OF MATERIAL

SHIP	MARK	NO PCS	DESCRIPTION	LENGTH	PIECE MARK	REMARKS
9	27M19	9	C5X6.7	5'-0"	SQ-2 A36	



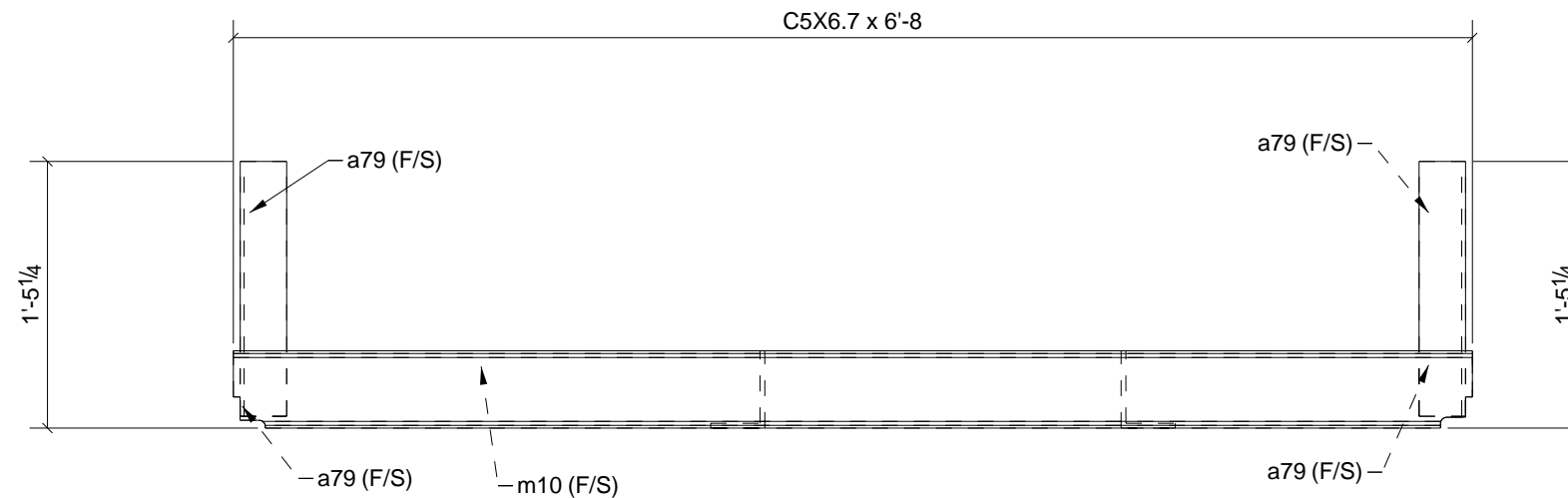
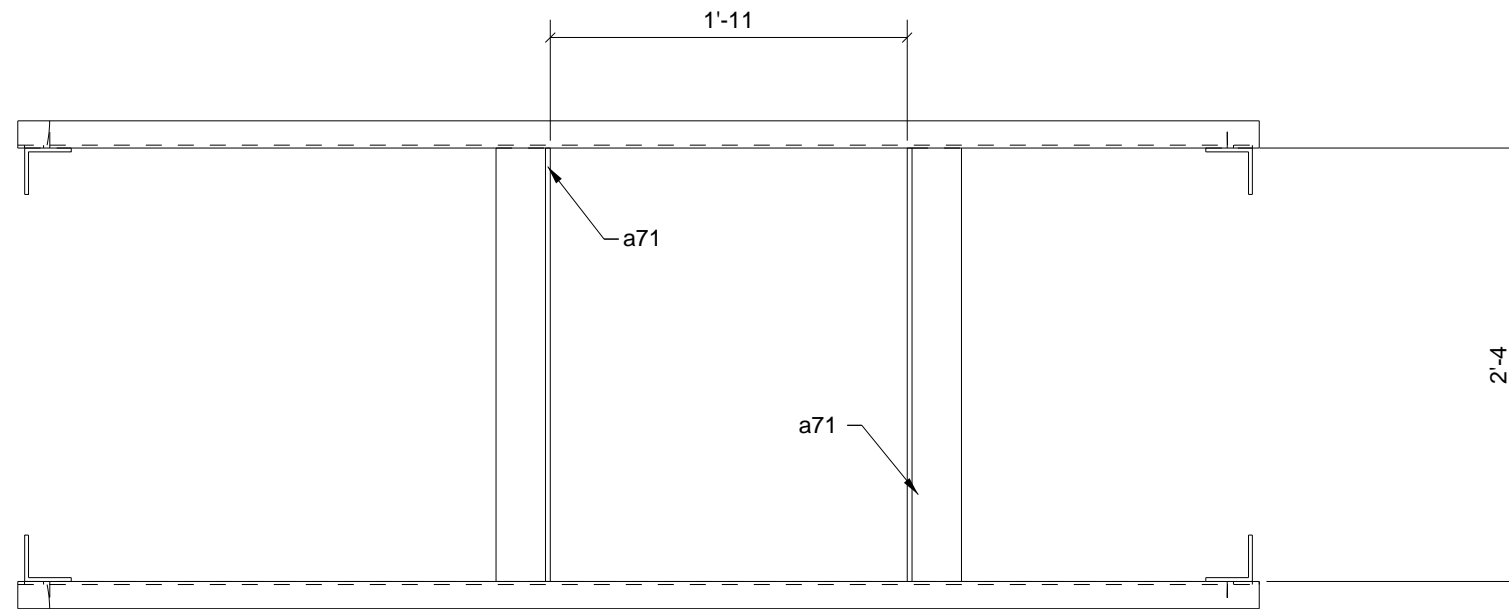
PHASE				
1	2	3	4	5
0	3	0	0	0

3 - PLATES - 27M2

BILL OF MATERIAL

SHIP	MARK	NO PCS	DESCRIPTION	LENGTH	PIECE MARK	REMARKS
3	27M2	3	PL1/4"X16"	4'-3"		SQ-2 A36

A	For Approval	06/18/10	TMc	TAN
REV.	DESCRIPTION	DATE	DWN	CHK
GENERAL NOTES			JOB USE	
MATERIAL: A992 / A36	ELECTRODES: E70XX LH	REF. DRG.	SHOP	
HOLES: 13/16 DIA. U/N	CONN'S.: -		APPROVAL	
SURFACE PREP. SSPC-SP-2 AND PAINT: GREY PRIMER DEVOE NA-195 (U.N.)				
DESCRIPTION:	PLATE			
PROJECT NAME	Ross Middle School Addition/Remodel			
LOCATION	Ross Local School District - Hamilton, O			
CONTRACTOR	Endeavor			
Avenue Fabricating Inc. 1281 Clough Pike Batavia, OH 45103 (513) 752-1911		DRAWN BY	DATE	
		TMc	06/18/2010	
		CHKD. BY	DATE	
TAN				
JOB No.	DRG. No.	REV.		
10-11	27M2	1		



SHOP NOTE:
 ALL MATERIAL IS PLAIN, ANY CUTS OR
 COPEs OTHER THAN SQUARE CUTS ARE
 FOR DRAFTING REFERENCE ONLY. MARK
 ASSEMBY & SUB MARKS FOR SHIPPING

APPROVER / CONTRACTOR NOTE:
 OVERALL DIMENSIONS ARE FOR REFER-
 ENCE TO REQUEST VERIFICATION OF
 SUFFICIENT MATERIAL FOR FIELD TRIM &
 WELDING ROOF MEMBERS REINFORCING
 HVAC DUCTS & EQUIPMENT, SEE PLANS
 FOR ASSY MARK.

ONE - ROOF FRAME - 27M20

PHASE				
1	2	3	4	5
0	1	0	0	0

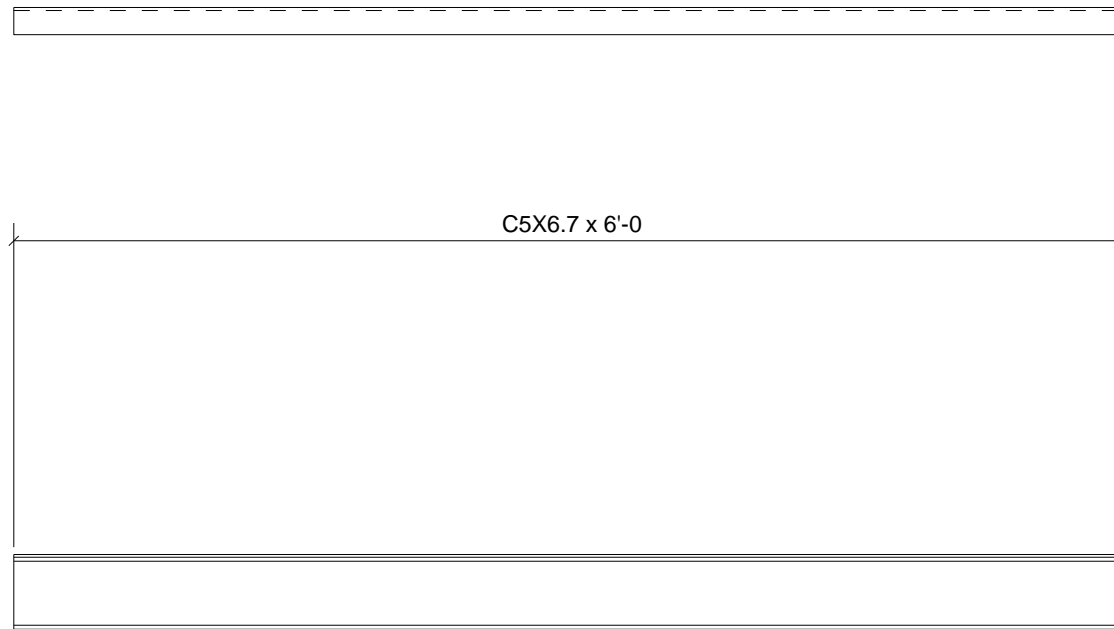
A	For Approval	06/18/10	TMc	TAN
REV.	DESCRIPTION	DATE	DWN	CHK

GENERAL NOTES			JOB USE
MATERIAL: A992 / A36	ELECTRODES: E70XX LH	REF. DRG.	
HOLES: 13/16 DIA. U/N	CONN'S.: -		SHOP
SURFACE PREP. SSPC-SP-2 AND PAINT: GREY PRIMER DEVOE NA-195 (U.N.)			APPROVAL

DESCRIPTION:	ROOF FRAME
PROJECT NAME	Ross Middle School Addition/Remodel
LOCATION	Ross Local School District - Hamilton, O
CONTRACTOR	Endeavor

BILL OF MATERIAL						
SHIP	MARK	NO PCS	DESCRIPTION	LENGTH	PIECE MARK	REMARKS
1	27M20	1	C5X6.7	6'-8"		SQ-2 A36
		2	L5X3-1/2X5/16	2'-4"	a71	A36
		4	L3X3X1/4	1'-4 1/2"	a79	A36
		1	C5X6.7	6'-8"	m10	A36

Avenue Fabricating Inc. 1281 Clough Pike Batavia, OH 45103 (513) 752-1911		DRAWN BY	DATE
		TMc	06/18/2010
		CHKD. BY	DATE
		TAN	
JOB No.	DRG. No.	REV.	
10-11	27M20	1	



SHOP NOTE:
ALL MATERIAL IS PLAIN, ANY CUTS OR
COPEs OTHER THAN SQUARE CUTS ARE
FOR DRAFTING REFERENCE ONLY. MARK
ASSEMBY & SUB MARKS FOR SHIPPING

APPROVER / CONTRACTOR NOTE:
OVERALL DIMENSIONS ARE FOR REFER-
ENCE TO REQUEST VERIFICATION OF
SUFFICIENT MATERIAL FOR FIELD TRIM &
WELDING ROOF MEMBERS REINFORCING
HVAC DUCTS & EQUIPMENT, SEE PLANS
FOR ASSY MARK.

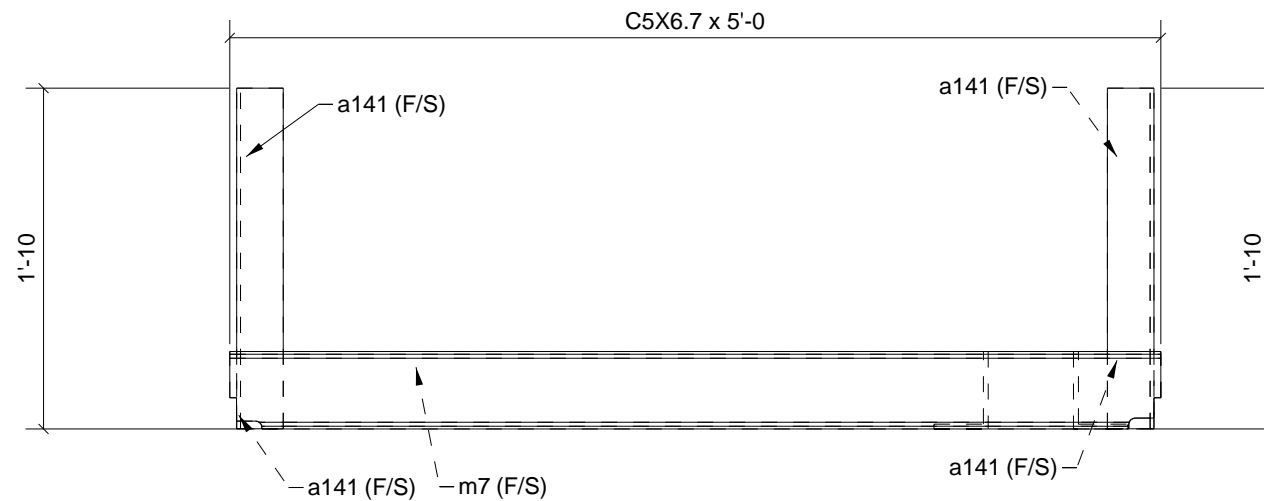
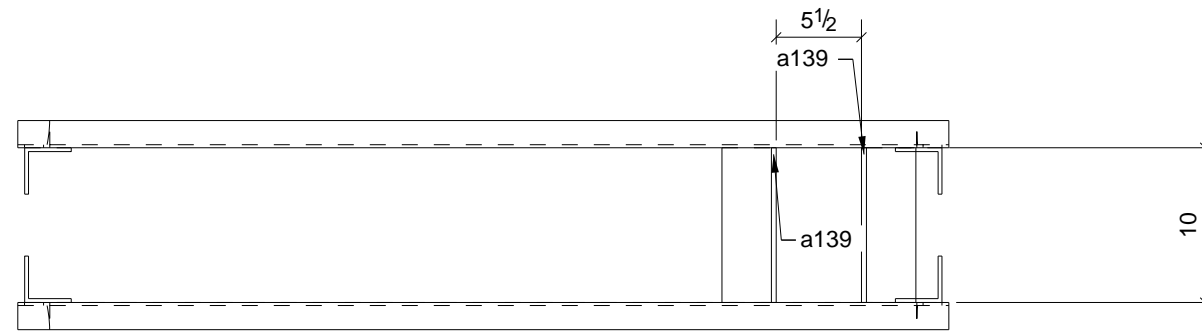
5 - ROOF FRAMES - 27M21

PHASE				
1	2	3	4	5
0	5	0	0	0

A	For Approval	06/18/10	TMc	TAN
REV.	DESCRIPTION	DATE	DWN	CHK
GENERAL NOTES			JOB USE	
MATERIAL: A992 / A36	ELECTRODES: E70XX LH	REF. DRG.	SHOP	
HOLES: 13/16 DIA. U/N	CONN'S.: -		APPROVAL	
SURFACE PREP. SSPC-SP-2				
AND PAINT: GREY PRIMER DEVOE NA-195 (U.N.)				
DESCRIPTION:	ROOF FRAME			
PROJECT NAME	Ross Middle School Addition/Remodel			
LOCATION	Ross Local School District - Hamilton, O			
CONTRACTOR	Endeavor			
Avenue Fabricating Inc. 1281 Clough Pike Batavia, OH 45103 (513) 752-1911		DRAWN BY	DATE	
		TMc	06/18/2010	
		CHKD. BY	DATE	
TAN				
JOB No.	DRG. No.	REV.		
10-11	27M21	1		

BILL OF MATERIAL

SHIP	MARK	NO PCS	DESCRIPTION	LENGTH	PIECE MARK	REMARKS
5	27M21	5	C5X6.7	6'-0"	SQ-2 A36	



SHOP NOTE:
 ALL MATERIAL IS PLAIN, ANY CUTS OR
 COPEs OTHER THAN SQUARE CUTS ARE
 FOR DRAFTING REFERENCE ONLY. MARK
 ASSEMBLY & SUB MARKS FOR SHIPPING

APPROVER / CONTRACTOR NOTE:
 OVERALL DIMENSIONS ARE FOR REFER-
 ENCE TO REQUEST VERIFICATION OF
 SUFFICIENT MATERIAL FOR FIELD TRIM &
 WELDING ROOF MEMBERS REINFORCING
 HVAC DUCTS & EQUIPMENT, SEE PLANS
 FOR ASSY MARK.

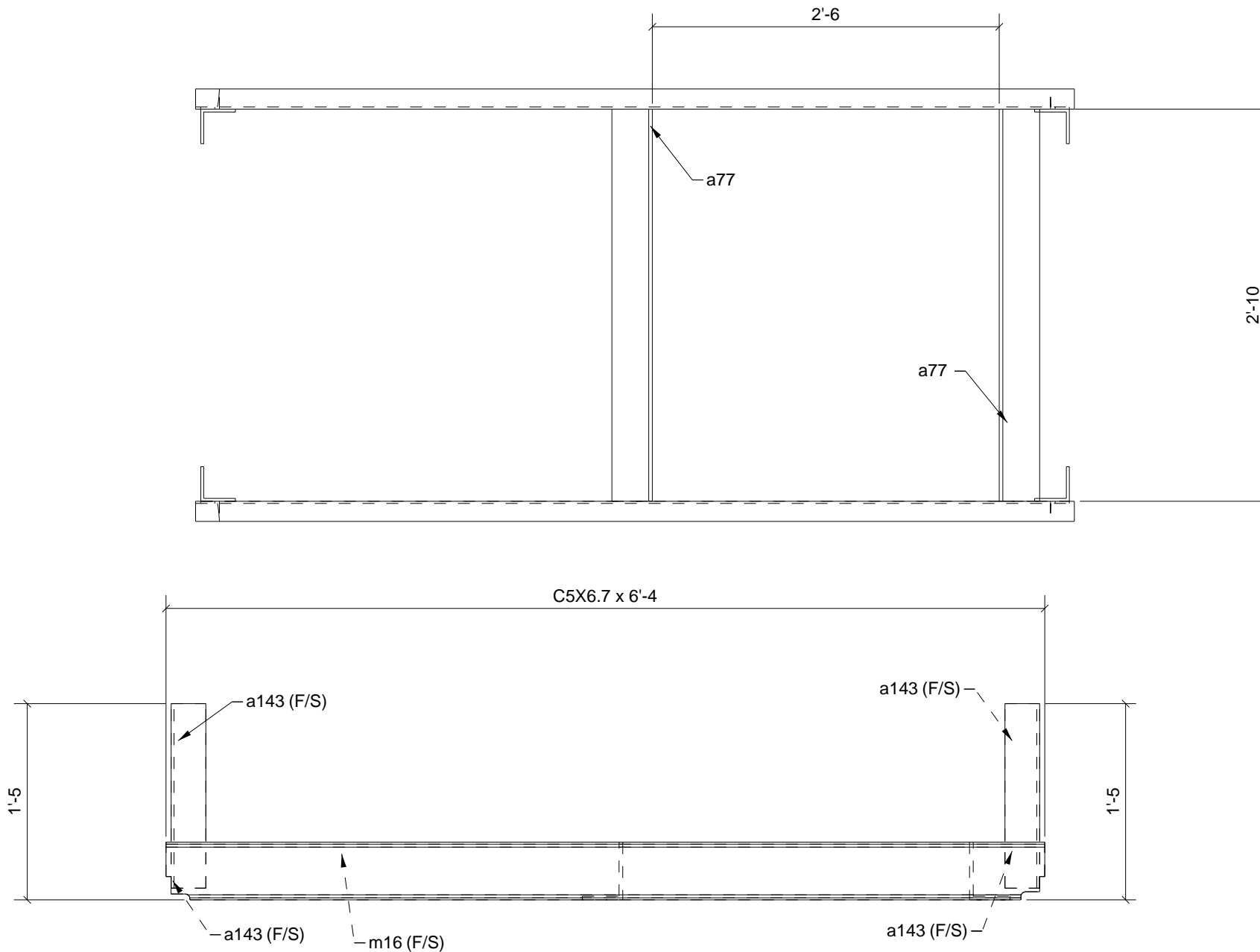
ONE - ROOF FRAME - 27M22

PHASE				
1	2	3	4	5
0	1	0	0	0

A	For Approval	06/18/10	TMc	TAN
REV.	DESCRIPTION	DATE	DWN	CHK
GENERAL NOTES			JOB USE	
MATERIAL: A992 / A36	ELECTRODES: E70XX LH	REF. DRG.		
HOLES: 13/16 DIA. U/N	CONN'S.: -	SHOP		
SURFACE PREP. SSPC-SP-2 AND PAINT: GREY PRIMER DEVOE NA-195 (U.N.)		APPROVAL		
DESCRIPTION: ROOF FRAME				
PROJECT NAME: Ross Middle School Addition/Remodel				
LOCATION: Ross Local School District - Hamilton, O				
CONTRACTOR: Endeavor				
Avenue Fabricating Inc. 1281 Clough Pike Batavia, OH 45103 (513) 752-1911			DRAWN BY: TMc	
			DATE: 06/18/2010	
			CHKD. BY: TAN	
			DATE:	
JOB No. 10-11		DRG. No. 27M22		REV. 1

BILL OF MATERIAL

SHIP	MARK	NO PCS	DESCRIPTION	LENGTH	PIECE MARK	REMARKS
1	27M22	1	C5X6.7	5'-0"		SQ-2 A36
		2	L5X3-1/2X5/16	0'-10"	a139	A36
		4	L3X3X1/4	1'-10"	a141	A36
		1	C5X6.7	5'-0"	m7	A36



SHOP NOTE:
ALL MATERIAL IS PLAIN, ANY CUTS OR
COPEs OTHER THAN SQUARE CUTS ARE
FOR DRAFTING REFERENCE ONLY. MARK
ASSEMBLY & SUB MARKS FOR SHIPPING

APPROVER / CONTRACTOR NOTE:
OVERALL DIMENSIONS ARE FOR REFER-
ENCE TO REQUEST VERIFICATION OF
SUFFICIENT MATERIAL FOR FIELD TRIM &
WELDING ROOF MEMBERS REINFORCING
HVAC DUCTS & EQUIPMENT, SEE PLANS
FOR ASSY MARK.

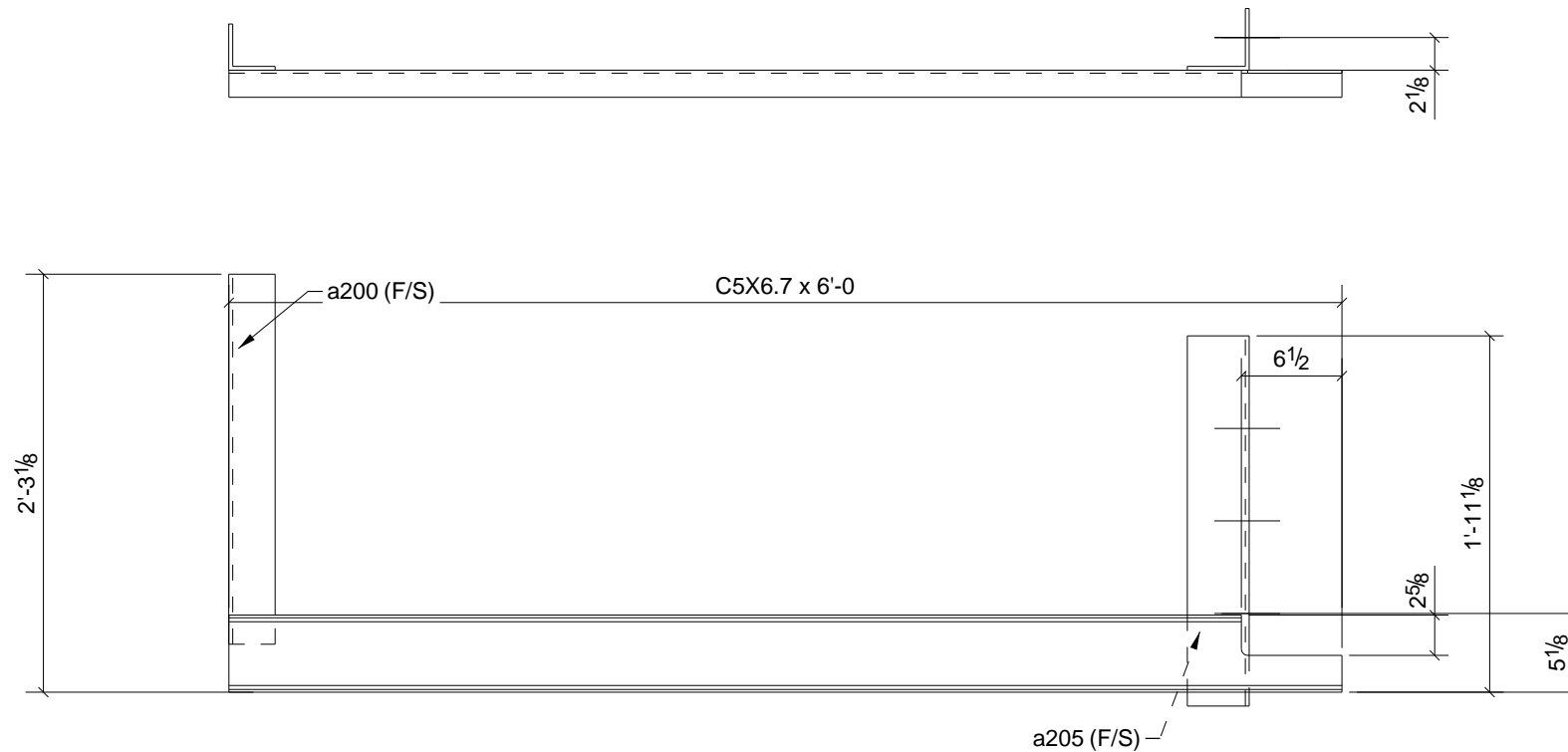
4 - ROOF FRAMES - 27M23

PHASE				
1	2	3	4	5
0	4	0	0	0

A	For Approval	06/18/10	TMc	TAN
REV.	DESCRIPTION	DATE	DWN	CHK
GENERAL NOTES			JOB USE	
MATERIAL: A992 / A36		ELECTRODES: E70XX LH	REF. DRG.	
HOLES: 13/16 DIA. U/N		CONN'S.: -	SHOP	
SURFACE PREP. SSPC-SP-2 AND PAINT: GREY PRIMER DEVOE NA-195 (U.N.)			APPROVAL	
DESCRIPTION: ROOF FRAME				
PROJECT NAME: Ross Middle School Addition/Remodel LOCATION: Ross Local School District - Hamilton, O				
CONTRACTOR: Endeavor				
Avenue Fabricating Inc. 1281 Clough Pike Batavia, OH 45103 (513) 752-1911			DRAWN BY: TMc	
			DATE: 06/18/2010	
			CHKD. BY: TAN	
			DATE:	
JOB No. 10-11		DRG. No. 27M23		REV. 1

BILL OF MATERIAL

SHIP	MARK	NO PCS	DESCRIPTION	LENGTH	PIECE MARK	REMARKS
4	27M23	4	C5X6.7	6'-4"	SQ-2 A36	
		8	L5X3-1/2X5/16	2'-10"	a77	A36
		16	L3X3X1/4	1'-4"	a143	A36
		4	C5X6.7	6'-4"	m16	A36



SHOP NOTE:
 ALL MATERIAL IS PLAIN, ANY CUTS OR
 COPEs OTHER THAN SQUARE CUTS ARE
 FOR DRAFTING REFERENCE ONLY. MARK
 ASSEMBLY & SUB MARKS FOR SHIPPING

APPROVER / CONTRACTOR NOTE:
 OVERALL DIMENSIONS ARE FOR REFER-
 ENCE TO REQUEST VERIFICATION OF
 SUFFICIENT MATERIAL FOR FIELD TRIM &
 WELDING ROOF MEMBERS REINFORCING
 HVAC DUCTS & EQUIPMENT, SEE PLANS
 FOR ASSY MARK.

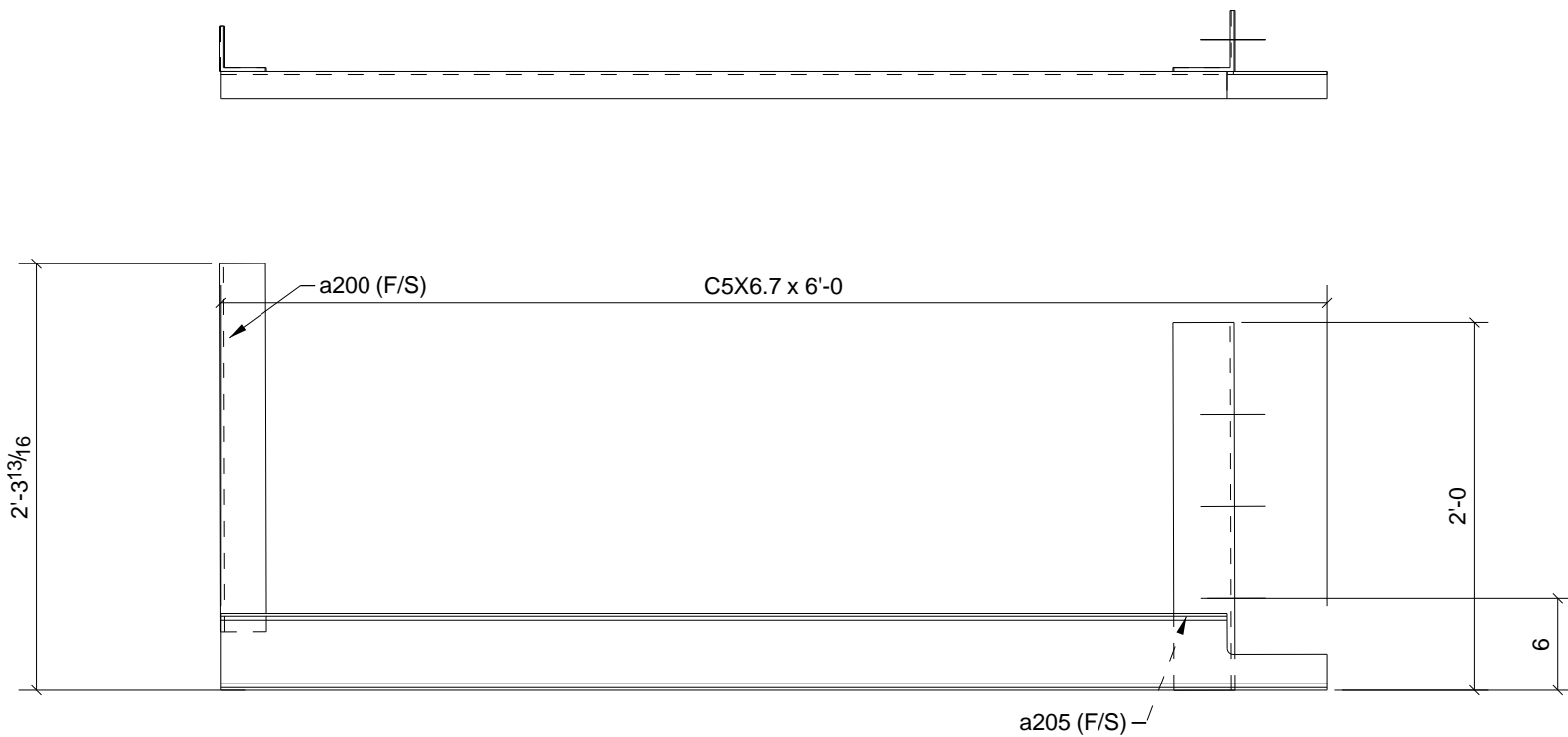
ONE - ROOF FRAME - 27M24

PHASE				
1	2	3	4	5
0	1	0	0	0

A	For Approval	06/18/10	TMc	TAN	
REV.	DESCRIPTION	DATE	DWN	CHK	
GENERAL NOTES				JOB USE	
MATERIAL: A992 / A36		ELECTRODES: E70XX LH	REF. DRG.		
HOLES: 13/16 DIA. U/N		CONN'S.: -	SHOP		
SURFACE PREP. SSPC-SP-2 AND PAINT: GREY PRIMER DEVOE NA-195 (U.N.)			APPROVAL		
DESCRIPTION: ROOF FRAME					
PROJECT NAME: Ross Middle School Addition/Remodel					
LOCATION: Ross Local School District - Hamilton, O					
CONTRACTOR: Endeavor					
Avenue Fabricating Inc. 1281 Clough Pike Batavia, OH 45103 (513) 752-1911		DRAWN BY: TMc		DATE: 06/18/2010	
		CHKD. BY: TAN		DATE:	
		JOB No. 10-11		DRG. No. 27M24	REV. 1

BILL OF MATERIAL

SHIP	MARK	NO PCS	DESCRIPTION	LENGTH	PIECE MARK	REMARKS
1	27M24	1	C5X6.7	6'-0"	SQ-2 A36	
		1	L3X3X1/4	2'-0"	a200 A36	
		1	L4X4X1/4	2'-0"	a205 A36	



SHOP NOTE:
 ALL MATERIAL IS PLAIN, ANY CUTS OR
 COPEs OTHER THAN SQUARE CUTS ARE
 FOR DRAFTING REFERENCE ONLY. MARK
 ASSEMBLY & SUB MARKS FOR SHIPPING

APPROVER / CONTRACTOR NOTE:
 OVERALL DIMENSIONS ARE FOR REFER-
 ENCE TO REQUEST VERIFICATION OF
 SUFFICIENT MATERIAL FOR FIELD TRIM &
 WELDING ROOF MEMBERS REINFORCING
 HVAC DUCTS & EQUIPMENT, SEE PLANS
 FOR ASSY MARK.

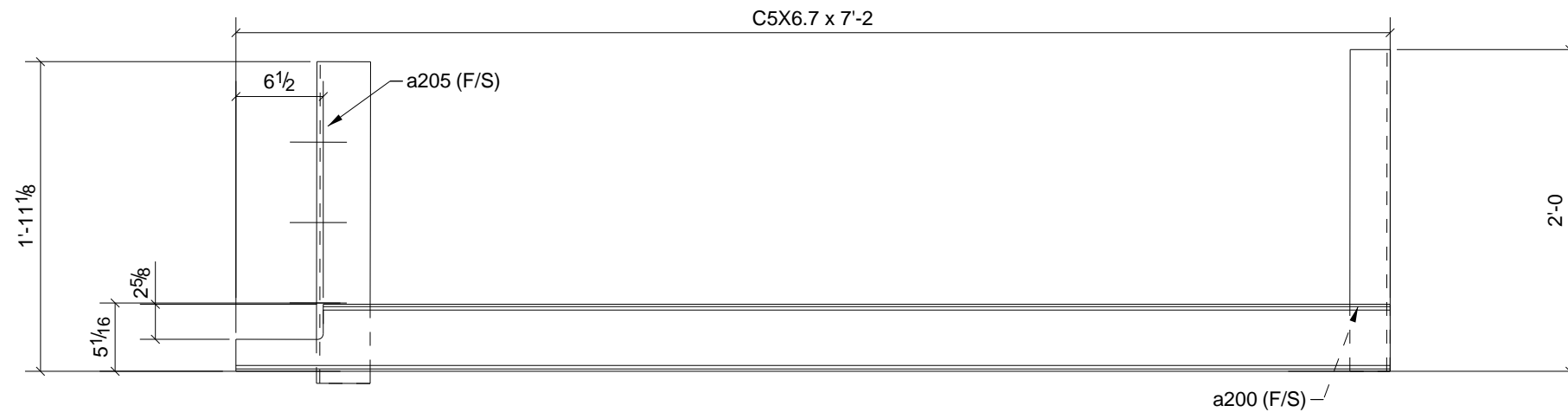
ONE - ROOF FRAME - 27M25

PHASE				
1	2	3	4	5
0	1	0	0	0

A	For Approval	06/18/10	TMc	TAN
REV.	DESCRIPTION	DATE	DWN	CHK
GENERAL NOTES				JOB USE
MATERIAL: A992 / A36	ELECTRODES: E70XX LH	REF. DRG.	SHOP	
HOLES: 13/16 DIA. U/N	CONN'S.: -		APPROVAL	
SURFACE PREP. SSPC-SP-2 AND PAINT: GREY PRIMER DEVOE NA-195 (U.N.)				
DESCRIPTION: ROOF FRAME				
PROJECT NAME Ross Middle School Addition/Remodel LOCATION Ross Local School District - Hamilton, O				
CONTRACTOR Endeavor				
Avenue Fabricating Inc. 1281 Clough Pike Batavia, OH 45103 (513) 752-1911			DRAWN BY	DATE
			TMc	06/18/2010
			CHKD. BY	DATE
			TAN	
JOB No.	DRG. No.	REV.		
10-11	27M25	1		

BILL OF MATERIAL

SHIP	MARK	NO PCS	DESCRIPTION	LENGTH	PIECE MARK	REMARKS
1	27M25	1	C5X6.7	6'-0"		SQ-2 A36
		1	L3X3X1/4	2'-0"	a200	A36
		1	L4X4X1/4	2'-0"	a205	A36



SHOP NOTE:
 ALL MATERIAL IS PLAIN, ANY CUTS OR
 COPEs OTHER THAN SQUARE CUTS ARE
 FOR DRAFTING REFERENCE ONLY. MARK
 ASSEMBY & SUB MARKS FOR SHIPPING

APPROVER / CONTRACTOR NOTE:
 OVERALL DIMENSIONS ARE FOR REFER-
 ENCE TO REQUEST VERIFICATION OF
 SUFFICIENT MATERIAL FOR FIELD TRIM &
 WELDING ROOF MEMBERS REINFORCING
 HVAC DUCTS & EQUIPMENT, SEE PLANS
 FOR ASSY MARK.

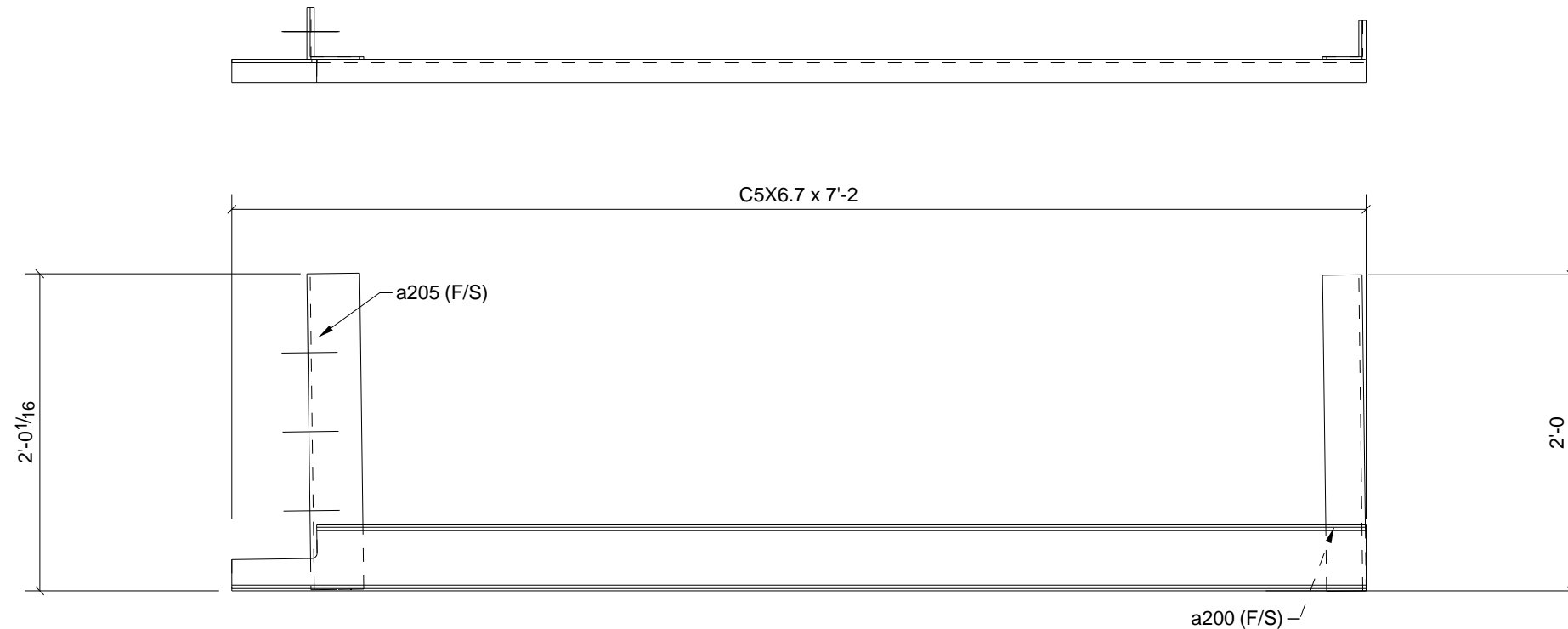
ONE - ROOF FRAME - 27M26

PHASE				
1	2	3	4	5
0	1	0	0	0

A	For Approval	06/18/10	TMc	TAN
REV.	DESCRIPTION	DATE	DWN	CHK
GENERAL NOTES			JOB USE	
MATERIAL: A992 / A36	ELECTRODES: E70XX LH	REF. DRG.	SHOP	
HOLES: 13/16 DIA. U/N	CONN'S.: -		APPROVAL	
SURFACE PREP. SSPC-SP-2 AND PAINT: GREY PRIMER DEVOE NA-195 (U.N.)				
DESCRIPTION: ROOF FRAME				
PROJECT NAME: Ross Middle School Addition/Remodel				
LOCATION: Ross Local School District - Hamilton, O				
CONTRACTOR: Endeavor				
Avenue Fabricating Inc. 1281 Clough Pike Batavia, OH 45103 (513) 752-1911		DRAWN BY: TMc		DATE: 06/18/2010
		CHKD. BY: TAN		DATE:
		JOB No. 10-11	DRG. No. 27M26	REV. 1

BILL OF MATERIAL

SHIP	MARK	NO PCS	DESCRIPTION	LENGTH	PIECE MARK	REMARKS
1	27M26	1	C5X6.7	7'-2"	SQ-2 A36	
		1	L3X3X1/4	2'-0"	a200 A36	
		1	L4X4X1/4	2'-0"	a205 A36	



SHOP NOTE:
 ALL MATERIAL IS PLAIN, ANY CUTS OR
 COPEs OTHER THAN SQUARE CUTS ARE
 FOR DRAFTING REFERENCE ONLY. MARK
 ASSEMBY & SUB MARKS FOR SHIPPING

APPROVER / CONTRACTOR NOTE:
 OVERALL DIMENSIONS ARE FOR REFER-
 ENCE TO REQUEST VERIFICATION OF
 SUFFICIENT MATERIAL FOR FIELD TRIM &
 WELDING ROOF MEMBERS REINFORCING
 HVAC DUCTS & EQUIPMENT, SEE PLANS
 FOR ASSY MARK.

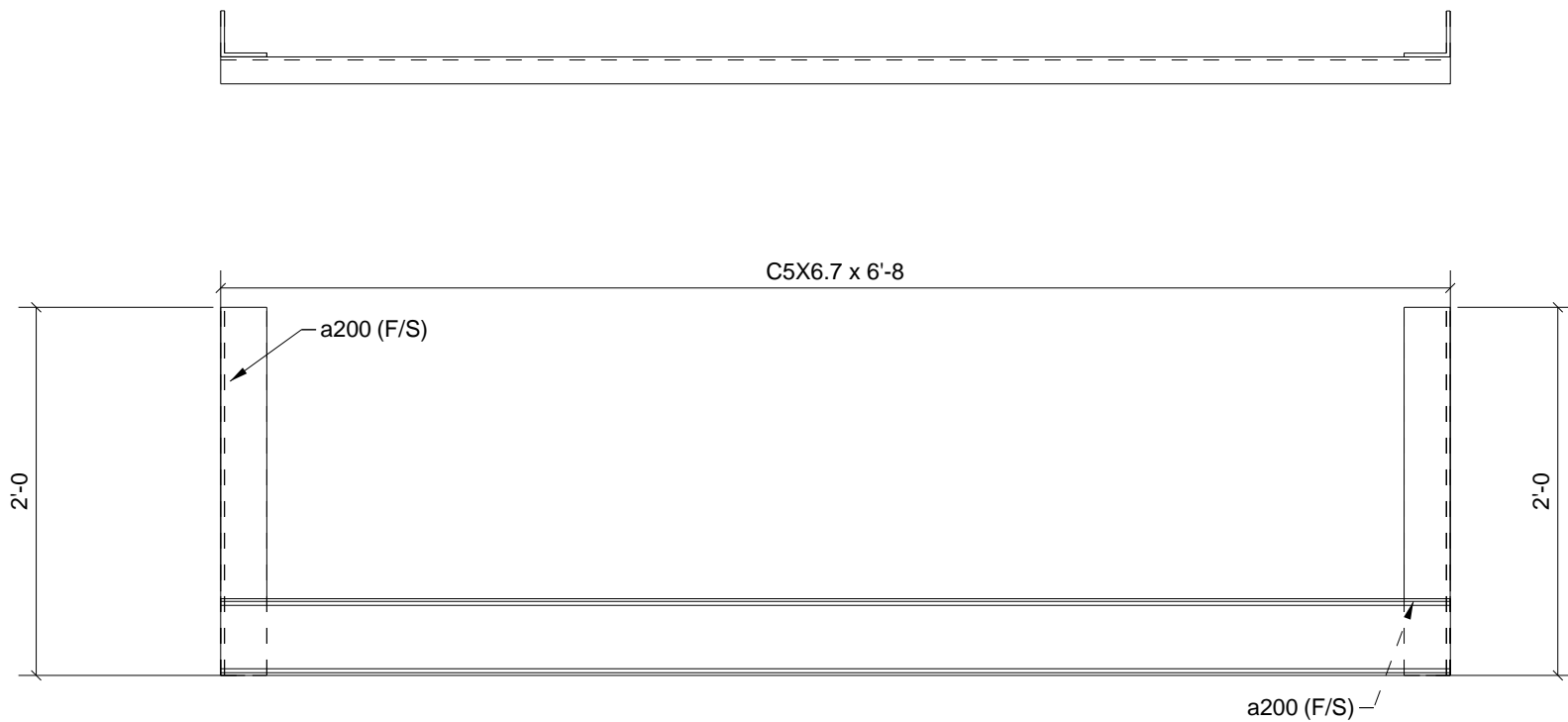
PHASE				
1	2	3	4	5
0	1	0	0	0

ONE - ROOF FRAME - 27M27

A	For Approval	06/18/10	TMc	TAN
REV.	DESCRIPTION	DATE	DWN	CHK
GENERAL NOTES				JOB USE
MATERIAL: A992 / A36	ELECTRODES: E70XX LH	REF. DRG.	SHOP	
HOLES: 13/16 DIA. U/N	CONN'S.: -		APPROVAL	
SURFACE PREP. SSPC-SP-2 AND PAINT: GREY PRIMER DEVOE NA-195 (U.N.)				
DESCRIPTION: ROOF FRAME				
PROJECT NAME Ross Middle School Addition/Remodel LOCATION Ross Local School District - Hamilton, O				
CONTRACTOR Endeavor				
Avenue Fabricating Inc. 1281 Clough Pike Batavia, OH 45103 (513) 752-1911			DRAWN BY	DATE
			TMc	06/18/2010
			CHKD. BY	DATE
			TAN	
JOB No.	DRG. No.	REV.		
10-11	27M27	1		

BILL OF MATERIAL

SHIP	MARK	NO PCS	DESCRIPTION	LENGTH	PIECE MARK	REMARKS
1	27M27	1	C5X6.7	7'-2"	SQ-2 A36	
		1	L3X3X1/4	2'-0"	a200 A36	
		1	L4X4X1/4	2'-0"	a205 A36	



SHOP NOTE:
 ALL MATERIAL IS PLAIN, ANY CUTS OR
 COPEs OTHER THAN SQUARE CUTS ARE
 FOR DRAFTING REFERENCE ONLY. MARK
 ASSEMBLY & SUB MARKS FOR SHIPPING

APPROVER / CONTRACTOR NOTE:
 OVERALL DIMENSIONS ARE FOR REFER-
 ENCE TO REQUEST VERIFICATION OF
 SUFFICIENT MATERIAL FOR FIELD TRIM &
 WELDING ROOF MEMBERS REINFORCING
 HVAC DUCTS & EQUIPMENT, SEE PLANS
 FOR ASSY MARK.

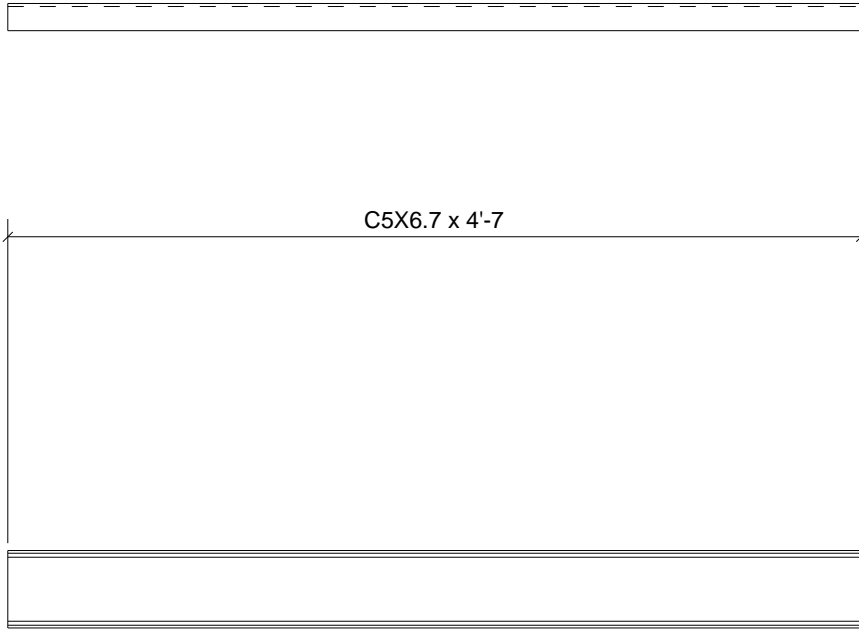
9 - ROOF FRAMES - 27M28

PHASE				
1	2	3	4	5
0	9	0	0	0

A	For Approval	06/18/10	TMc	TAN
REV.	DESCRIPTION	DATE	DWN	CHK
GENERAL NOTES			JOB USE	
MATERIAL: A992 / A36	ELECTRODES: E70XX LH	REF. DRG.	SHOP	
HOLES: 13/16 DIA. U/N	CONN'S.: -		APPROVAL	
SURFACE PREP. SSPC-SP-2 AND PAINT: GREY PRIMER DEVOE NA-195 (U.N.)				
DESCRIPTION: ROOF FRAME				
PROJECT NAME Ross Middle School Addition/Remodel LOCATION Ross Local School District - Hamilton, O				
CONTRACTOR Endeavor				
Avenue Fabricating Inc. 1281 Clough Pike Batavia, OH 45103 (513) 752-1911			DRAWN BY TMc	
			DATE 06/18/2010	
			CHKD. BY TAN	
			DATE	
JOB No. 10-11		DRG. No. 27M28		REV. 1

BILL OF MATERIAL

SHIP	MARK	NO PCS	DESCRIPTION	LENGTH	PIECE MARK	REMARKS
9	27M28	9	C5X6.7	6'-8"	SQ-2 A36	
		18	L3X3X1/4	2'-0"	a200	A36



SHOP NOTE:
 ALL MATERIAL IS PLAIN, ANY CUTS OR
 COPEs OTHER THAN SQUARE CUTS ARE
 FOR DRAFTING REFERENCE ONLY. MARK
 ASSEMBY & SUB MARKS FOR SHIPPING

APPROVER / CONTRACTOR NOTE:
 OVERALL DIMENSIONS ARE FOR REFER-
 ENCE TO REQUEST VERIFICATION OF
 SUFFICIENT MATERIAL FOR FIELD TRIM &
 WELDING ROOF MEMBERS REINFORCING
 HVAC DUCTS & EQUIPMENT, SEE PLANS
 FOR ASSY MARK.

ONE - ROOF FRAME - 27M29

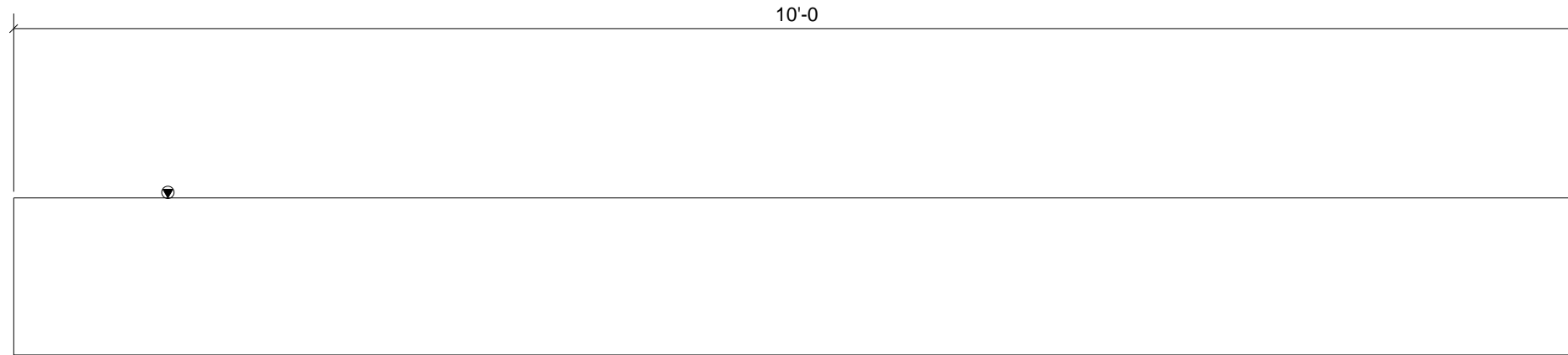
PHASE				
1	2	3	4	5
0	1	0	0	0

A	For Approval	06/18/10	TMc	TAN
REV.	DESCRIPTION	DATE	DWN	CHK
GENERAL NOTES			JOB USE	
MATERIAL: A992 / A36	ELECTRODES: E70XX LH	REF. DRG.	SHOP	
HOLES: 13/16 DIA. U/N	CONN'S.: -		APPROVAL	
SURFACE PREP. SSPC-SP-2 AND PAINT: GREY PRIMER DEVOE NA-195 (U.N.)				
DESCRIPTION: ROOF FRAME				
PROJECT NAME Ross Middle School Addition/Remodel LOCATION Ross Local School District - Hamilton, O				
CONTRACTOR Endeavor				
		DRAWN BY TMc		DATE 06/18/2010
		CHKD. BY TAN		DATE
		JOB No. 10-11	DRG. No. 27M29	REV. 1

BILL OF MATERIAL

SHIP	MARK	NO PCS	DESCRIPTION	LENGTH	PIECE MARK	REMARKS
1	27M29	1	C5X6.7	4'-7"	SQ-2 A36	

Avenue Fabricating Inc.
 1281 Clough Pike
 Batavia, OH 45103
 (513) 752-1911



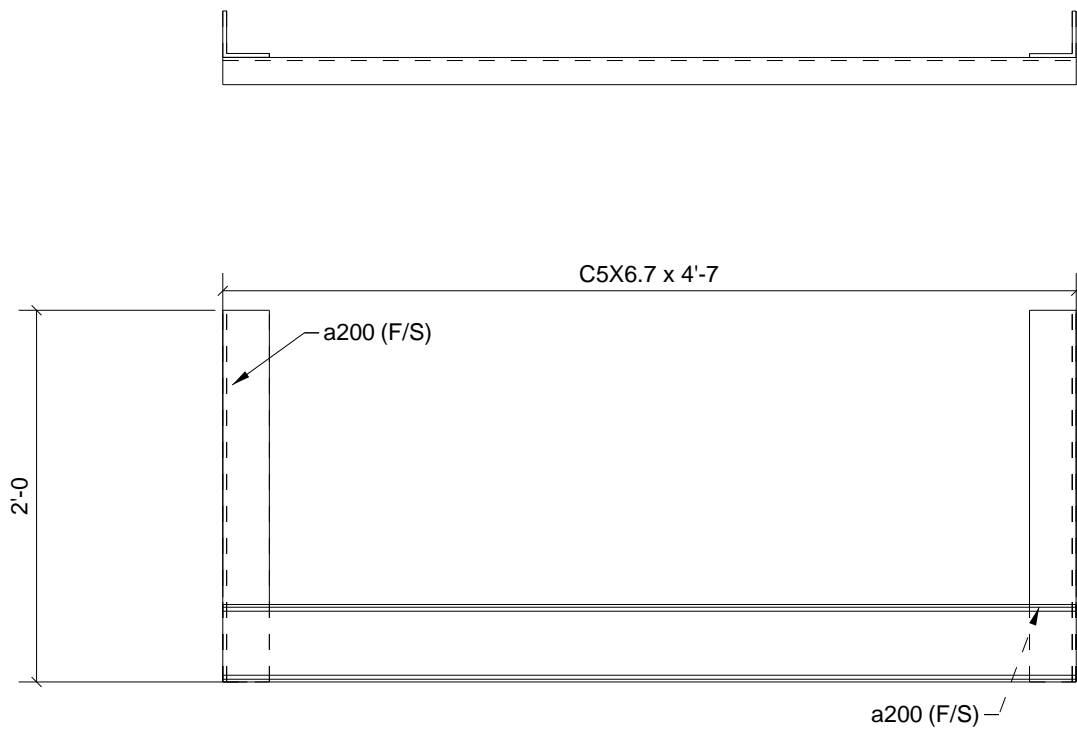
PHASE				
1	2	3	4	5
0	8	0	0	0

8 - PLATES - 27M3

A	For Approval	06/18/10	TMc	TAN
REV.	DESCRIPTION	DATE	DWN	CHK
GENERAL NOTES		JOB USE		
MATERIAL: A992 / A36	ELECTRODES: E70XX LH	REF. DRG.		
HOLES: 13/16 DIA. U/N	CONN'S.: -	SHOP		
SURFACE PREP. SSPC-SP-2 AND PAINT: GREY PRIMER DEVOE NA-195 (U.N.)		APPROVAL		
DESCRIPTION: PLATE				
PROJECT NAME Ross Middle School Addition/Remodel				
LOCATION Ross Local School District - Hamilton, O				
CONTRACTOR Endeavor				
Avenue Fabricating Inc. 1281 Clough Pike Batavia, OH 45103 (513) 752-1911		DRAWN BY		DATE
		TMc		06/18/2010
		CHKD. BY		DATE
		TAN		
		JOB No. 10-11		DRG. No. 27M3
				REV. 1

BILL OF MATERIAL

SHIP	MARK	NO PCS	DESCRIPTION	LENGTH	PIECE MARK	REMARKS
8	27M3	8	BAR1/4"X12"	10'-0"		SQ-2 A36



SHOP NOTE:
 ALL MATERIAL IS PLAIN. ANY CUTS OR
 COPEs OTHER THAN SQUARE CUTS ARE
 FOR DRAFTING REFERENCE ONLY. MARK
 ASSEMBLY & SUB MARKS FOR SHIPPING

APPROVER / CONTRACTOR NOTE:
 OVERALL DIMENSIONS ARE FOR REFER-
 ENCE TO REQUEST VERIFICATION OF
 SUFFICIENT MATERIAL FOR FIELD TRIM &
 WELDING ROOF MEMBERS REINFORCING
 HVAC DUCTS & EQUIPMENT, SEE PLANS
 FOR ASSY MARK.

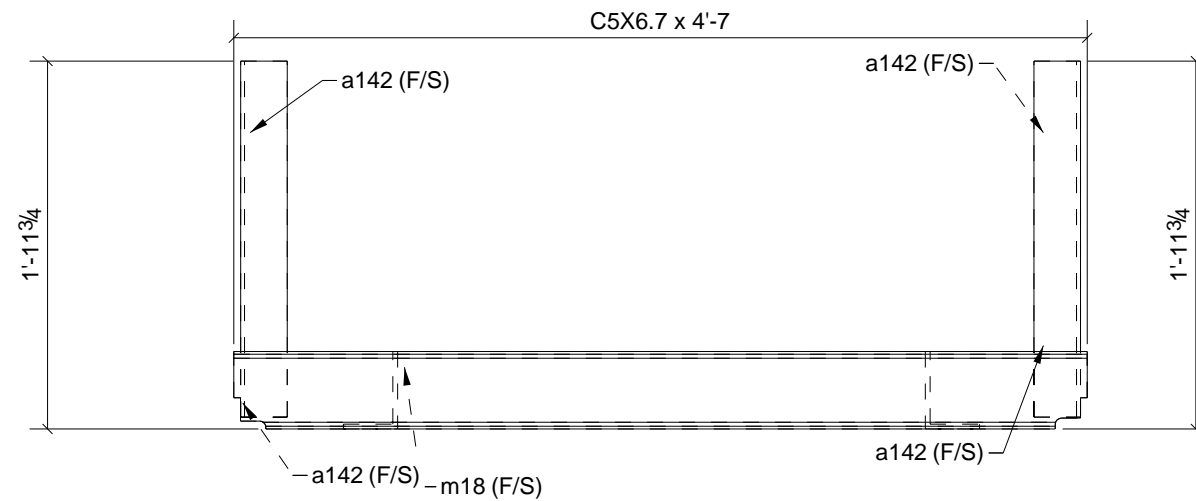
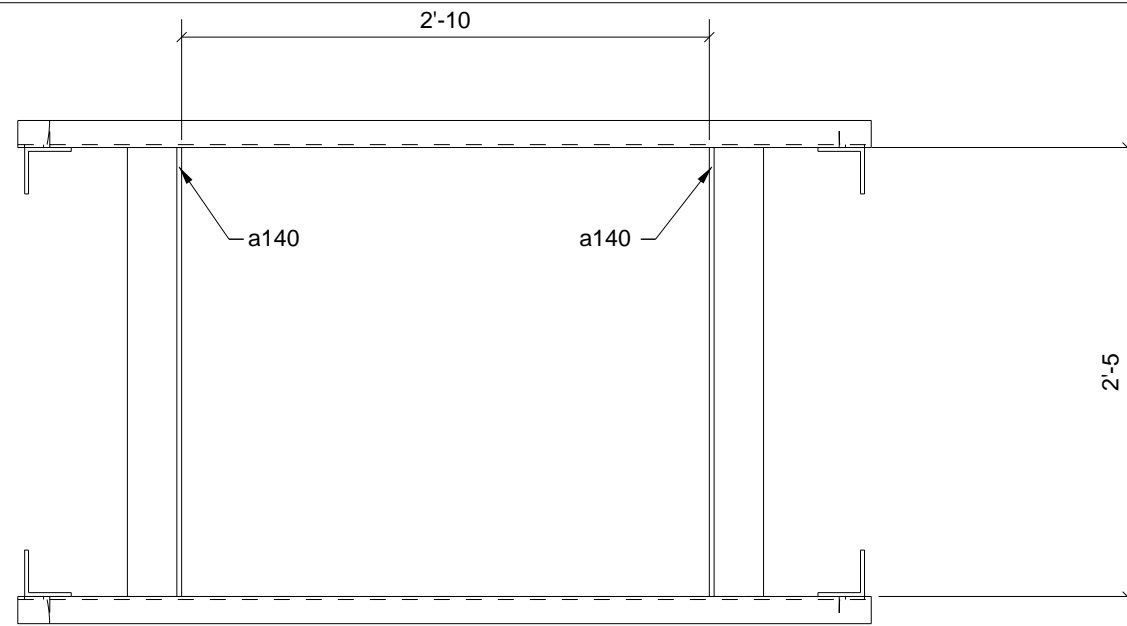
ONE - ROOF FRAME - 27M30

PHASE				
1	2	3	4	5
0	1	0	0	0

A	For Approval	06/18/10	TMc	TAN
REV.	DESCRIPTION	DATE	DWN	CHK
GENERAL NOTES				JOB USE
MATERIAL: A992 / A36	ELECTRODES: E70XX LH	REF. DRG.	SHOP	
HOLES: 13/16 DIA. U/N	CONN'S.: -		APPROVAL	
SURFACE PREP. SSPC-SP-2 AND PAINT: GREY PRIMER DEVOE NA-195 (U.N.)				
DESCRIPTION: ROOF FRAME				
PROJECT NAME Ross Middle School Addition/Remodel LOCATION Ross Local School District - Hamilton, O				
CONTRACTOR Endeavor				
Avenue Fabricating Inc. 1281 Clough Pike Batavia, OH 45103 (513) 752-1911			DRAWN BY	DATE
			TMc	06/18/2010
			CHKD. BY	DATE
			TAN	
JOB No.	DRG. No.	REV.		
10-11	27M30	1		

BILL OF MATERIAL

SHIP	MARK	NO PCS	DESCRIPTION	LENGTH	PIECE MARK	REMARKS
1	27M30	1	C5X6.7	4'-7"		SQ-2 A36
		2	L3X3X1/4	2'-0"	a200	A36



SHOP NOTE:
 ALL MATERIAL IS PLAIN, ANY CUTS OR COPEs OTHER THAN SQUARE CUTS ARE FOR DRAFTING REFERENCE ONLY. MARK ASSEMBLY & SUB MARKS FOR SHIPPING

APPROVER / CONTRACTOR NOTE:
 OVERALL DIMENSIONS ARE FOR REFERENCE TO REQUEST VERIFICATION OF SUFFICIENT MATERIAL FOR FIELD TRIM & WELDING ROOF MEMBERS REINFORCING HVAC DUCTS & EQUIPMENT, SEE PLANS FOR ASSY MARK.

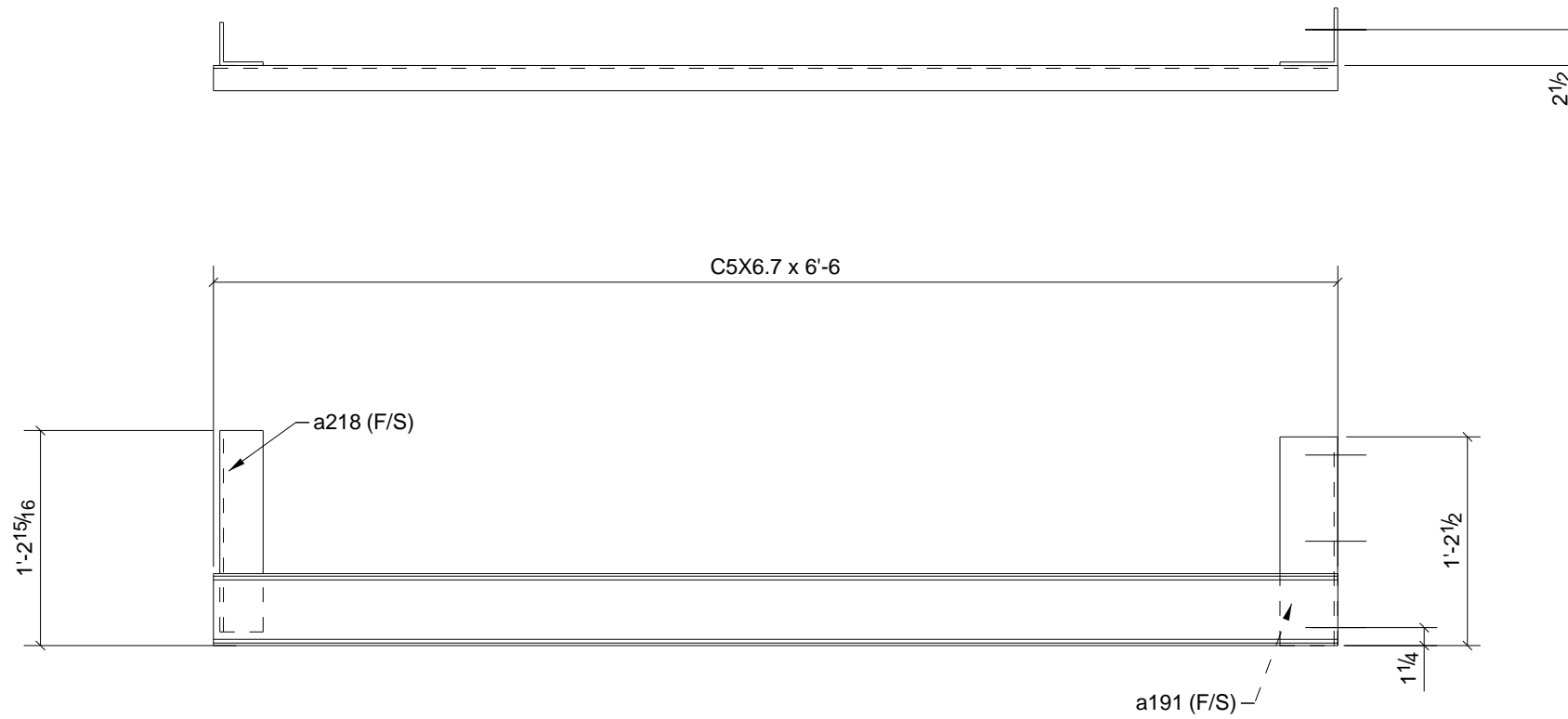
ONE - ROOF FRAME - 27M31

PHASE				
1	2	3	4	5
0	1	0	0	0

A	For Approval	06/18/10	TMc	TAN
REV.	DESCRIPTION	DATE	DWN	CHK
GENERAL NOTES			JOB USE	
MATERIAL: A992 / A36	ELECTRODES: E70XX LH	REF. DRG.	SHOP	
HOLES: 13/16 DIA. U/N	CONN'S.: -		APPROVAL	
SURFACE PREP. SSPC-SP-2				
AND PAINT: GREY PRIMER DEVOE NA-195 (U.N.)				
DESCRIPTION: ROOF FRAME				
PROJECT NAME Ross Middle School Addition/Remodel				
LOCATION Ross Local School District - Hamilton, O				
CONTRACTOR Endeavor				
Avenue Fabricating Inc. 1281 Clough Pike Batavia, OH 45103 (513) 752-1911		DRAWN BY	DATE	
		TMc	06/18/2010	
		CHKD. BY	DATE	
		TAN		
JOB No.	DRG. No.	REV.		
10-11	27M31	1		

BILL OF MATERIAL

SHIP	MARK	NO PCS	DESCRIPTION	LENGTH	PIECE MARK	REMARKS
1	27M31	1	C5X6.7	4'-7"		SQ-2 A36
		2	L5X3-1/2X5/16	2'-5"	a140	A36
		4	L3X3X1/4	1'-11"	a142	A36
		1	C5X6.7	4'-7"	m18	A36



SHOP NOTE:
 ALL MATERIAL IS PLAIN, ANY CUTS OR
 COPEs OTHER THAN SQUARE CUTS ARE
 FOR DRAFTING REFERENCE ONLY. MARK
 ASSEMBY & SUB MARKS FOR SHIPPING

APPROVER / CONTRACTOR NOTE:
 OVERALL DIMENSIONS ARE FOR REFER-
 ENCE TO REQUEST VERIFICATION OF
 SUFFICIENT MATERIAL FOR FIELD TRIM &
 WELDING ROOF MEMBERS REINFORCING
 HVAC DUCTS & EQUIPMENT, SEE PLANS
 FOR ASSY MARK.

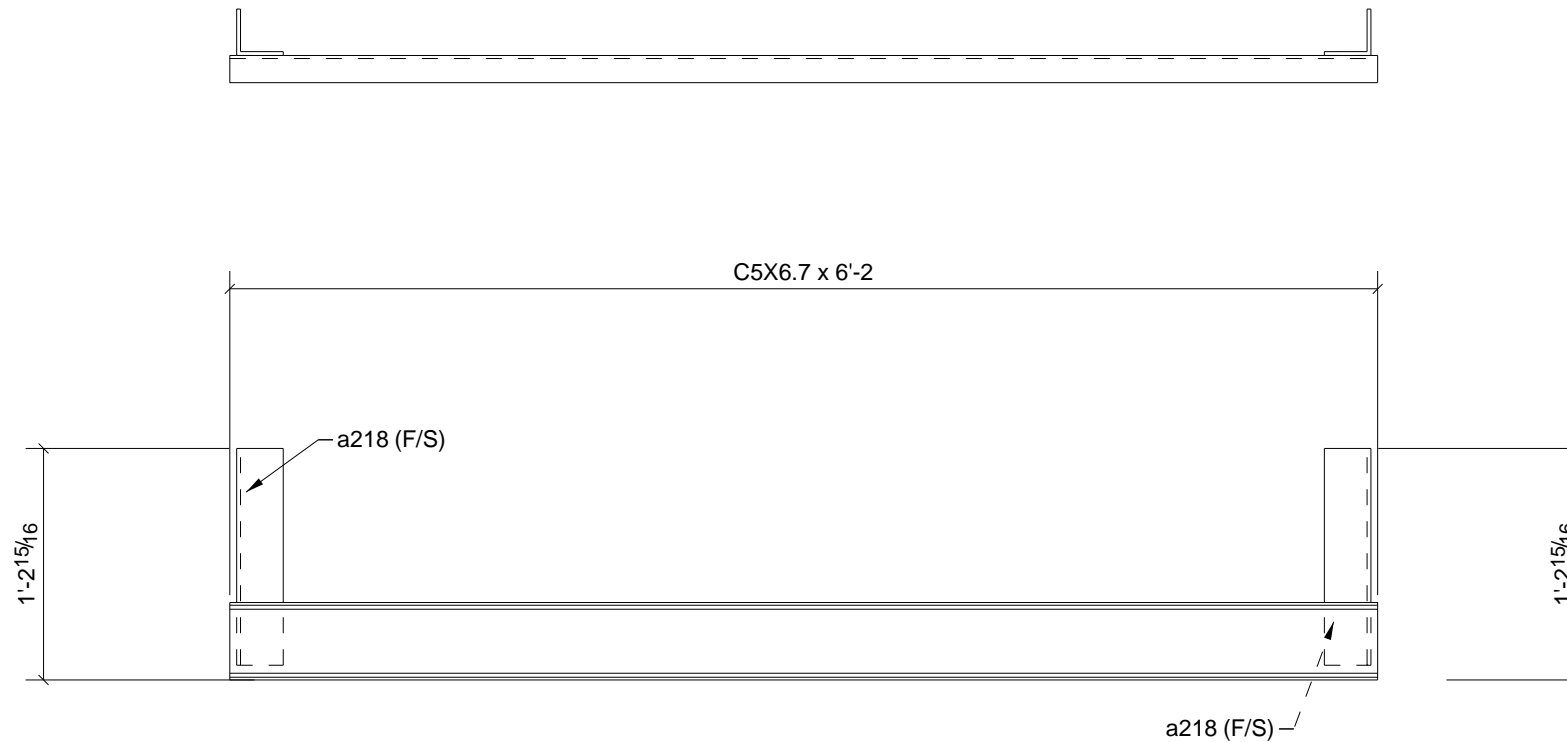
2 - ROOF FRAMES - 27M32

PHASE				
1	2	3	4	5
0	2	0	0	0

A	For Approval	06/18/10	TMc	TAN
REV.	DESCRIPTION	DATE	DWN	CHK
GENERAL NOTES			JOB USE	
MATERIAL: A992 / A36	ELECTRODES: E70XX LH	REF. DRG.	SHOP	
HOLES: 13/16 DIA. U/N	CONN'S.: -		APPROVAL	
SURFACE PREP. SSPC-SP-2 AND PAINT: GREY PRIMER DEVOE NA-195 (U.N.)				
DESCRIPTION: ROOF FRAME				
PROJECT NAME: Ross Middle School Addition/Remodel				
LOCATION: Ross Local School District - Hamilton, O				
CONTRACTOR: Endeavor				
Avenue Fabricating Inc. 1281 Clough Pike Batavia, OH 45103 (513) 752-1911		DRAWN BY: TMc		DATE: 06/18/2010
		CHKD. BY: TAN		DATE:
		JOB No. 10-11	DRG. No. 27M32	REV. 1

BILL OF MATERIAL

SHIP	MARK	NO PCS	DESCRIPTION	LENGTH	PIECE MARK	REMARKS
2	27M32	2	C5X6.7	6'-6"	SQ-2 A36	
		2	L4X4X1/4	1'-2 1/2"	a191 A36	
		2	L3X3X1/4	1'-2"	a218 A36	



SHOP NOTE:
 ALL MATERIAL IS PLAIN, ANY CUTS OR
 COPEs OTHER THAN SQUARE CUTS ARE
 FOR DRAFTING REFERENCE ONLY. MARK
 ASSEMBLY & SUB MARKS FOR SHIPPING

APPROVER / CONTRACTOR NOTE:
 OVERALL DIMENSIONS ARE FOR REFER-
 ENCE TO REQUEST VERIFICATION OF
 SUFFICIENT MATERIAL FOR FIELD TRIM &
 WELDING ROOF MEMBERS REINFORCING
 HVAC DUCTS & EQUIPMENT, SEE PLANS
 FOR ASSY MARK.

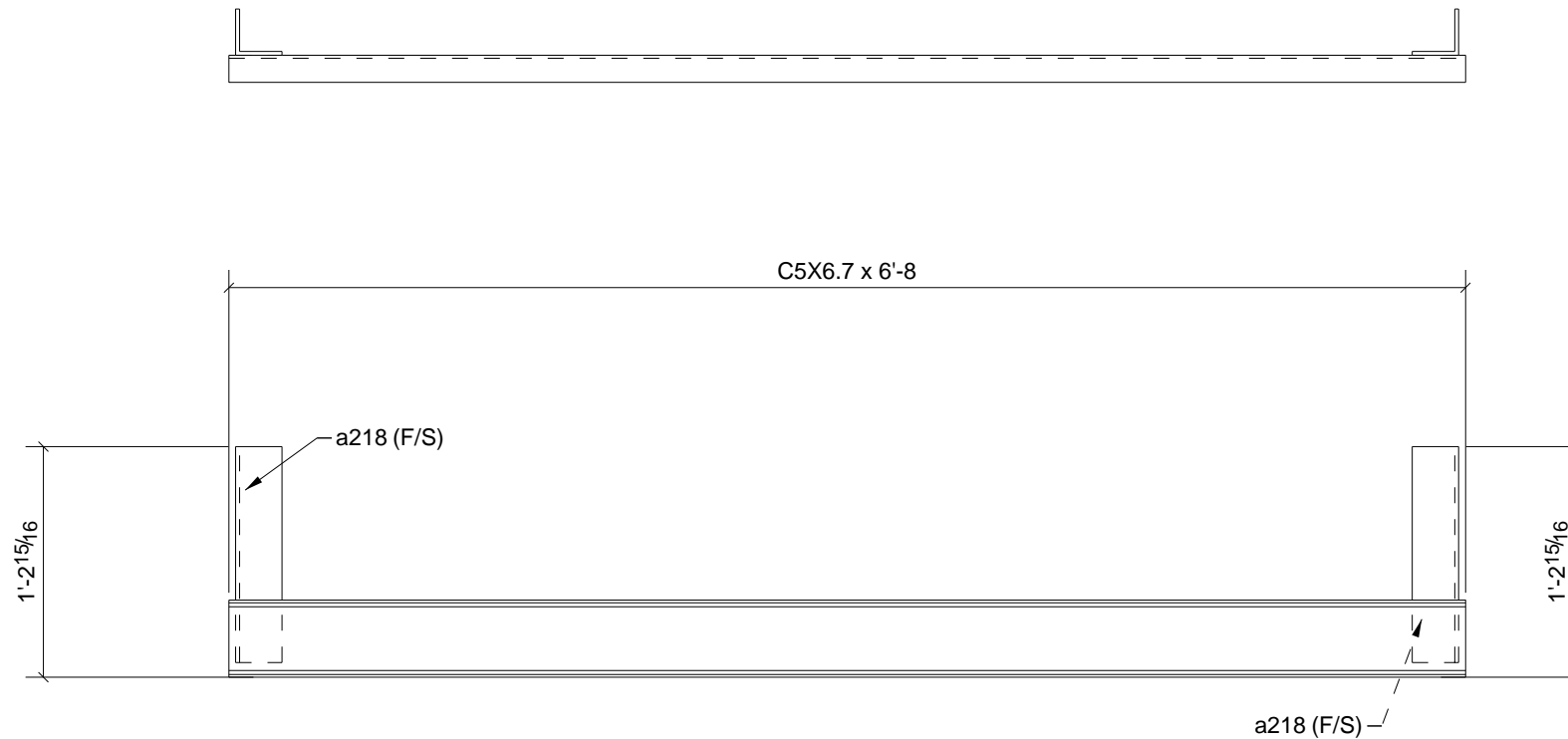
4 - ROOF FRAMES - 27M33

PHASE				
1	2	3	4	5
0	4	0	0	0

A	For Approval	06/18/10	TMc	TAN
REV.	DESCRIPTION	DATE	DWN	CHK
GENERAL NOTES			JOB USE	
MATERIAL: A992 / A36	ELECTRODES: E70XX LH	REF. DRG.	SHOP	
HOLES: 13/16 DIA. U/N	CONN'S.: -		APPROVAL	
SURFACE PREP. SSPC-SP-2 AND PAINT: GREY PRIMER DEVOE NA-195 (U.N.)				
DESCRIPTION: ROOF FRAME				
PROJECT NAME Ross Middle School Addition/Remodel LOCATION Ross Local School District - Hamilton, O				
CONTRACTOR Endeavor				
Avenue Fabricating Inc. 1281 Clough Pike Batavia, OH 45103 (513) 752-1911			DRAWN BY	DATE
			TMc	06/18/2010
			CHKD. BY	DATE
			TAN	
JOB No.	DRG. No.	REV.		
10-11	27M33	1		

BILL OF MATERIAL

SHIP	MARK	NO PCS	DESCRIPTION	LENGTH	PIECE MARK	REMARKS
4	27M33	4	C5X6.7	6'-2"		SQ-2 A36
		8	L3X3X1/4	1'-2"	a218	A36



SHOP NOTE:
 ALL MATERIAL IS PLAIN, ANY CUTS OR
 COPEs OTHER THAN SQUARE CUTS ARE
 FOR DRAFTING REFERENCE ONLY. MARK
 ASSEMBLY & SUB MARKS FOR SHIPPING

APPROVER / CONTRACTOR NOTE:
 OVERALL DIMENSIONS ARE FOR REFER-
 ENCE TO REQUEST VERIFICATION OF
 SUFFICIENT MATERIAL FOR FIELD TRIM &
 WELDING ROOF MEMBERS REINFORCING
 HVAC DUCTS & EQUIPMENT, SEE PLANS
 FOR ASSY MARK.

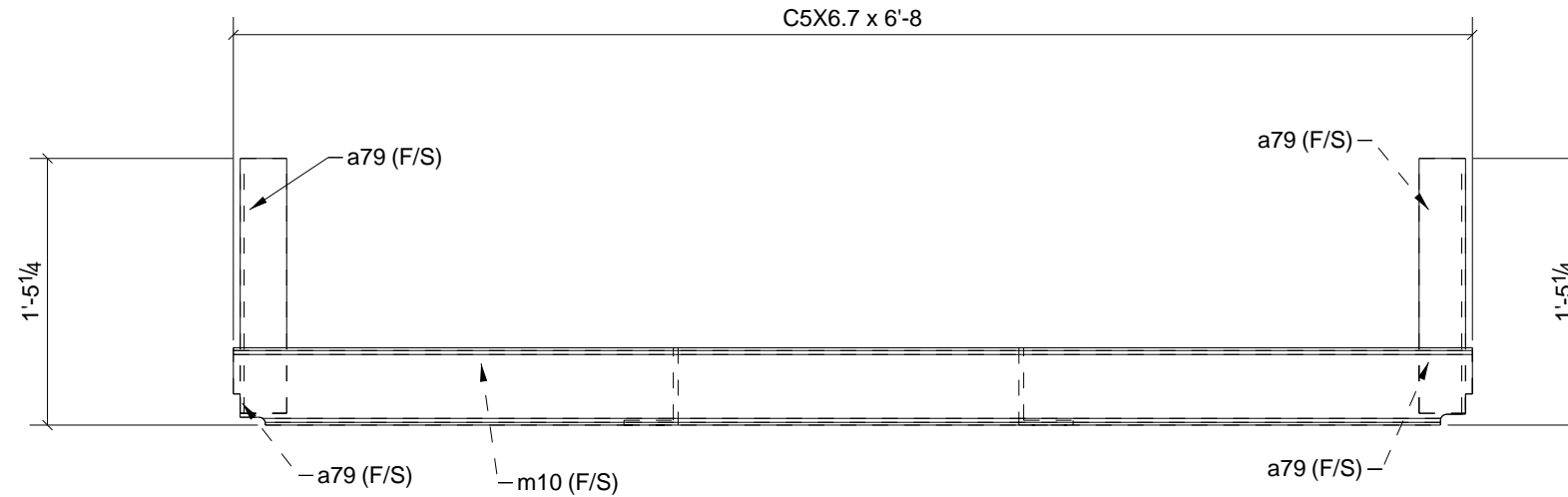
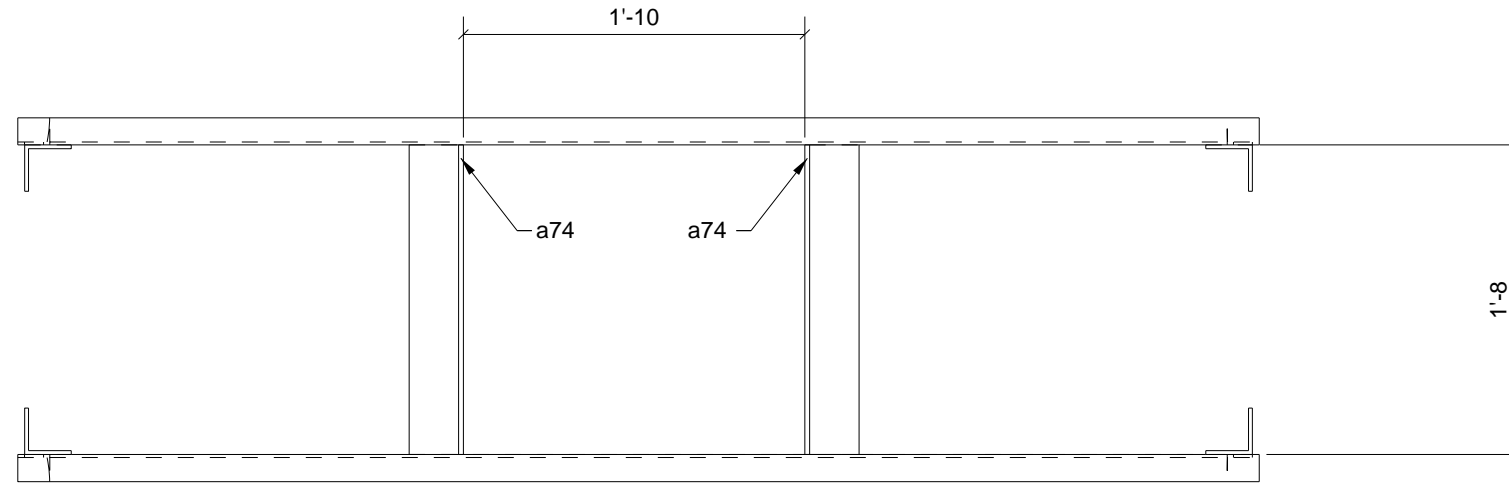
141 - ROOF FRAMES - 27M34

PHASE				
1	2	3	4	5
0	14	0	0	0

A	For Approval	06/18/10	TMc	TAN
REV.	DESCRIPTION	DATE	DWN	CHK
GENERAL NOTES			JOB USE	
MATERIAL: A992 / A36	ELECTRODES: E70XX LH	REF. DRG.	SHOP	
HOLES: 13/16 DIA. U/N	CONN'S.: -		APPROVAL	
SURFACE PREP. SSPC-SP-2 AND PAINT: GREY PRIMER DEVOE NA-195 (U.N.)				
DESCRIPTION: ROOF FRAME				
PROJECT NAME Ross Middle School Addition/Remodel LOCATION Ross Local School District - Hamilton, O				
CONTRACTOR Endeavor				
Avenue Fabricating Inc. 1281 Clough Pike Batavia, OH 45103 (513) 752-1911			DRAWN BY TMc	DATE 06/18/2010
			CHKD. BY TAN	DATE
			JOB No. 10-11	DRG. No. 27M34
				REV. 1

BILL OF MATERIAL

SHIP	MARK	NO PCS	DESCRIPTION	LENGTH	PIECE MARK	REMARKS
141	27M34	141	C5X6.7	6'-8"		SQ-2 A36
		282	L3X3X1/4	1'-2"	a218	A36



SHOP NOTE:
ALL MATERIAL IS PLAIN, ANY CUTS OR
COPEs OTHER THAN SQUARE CUTS ARE
FOR DRAFTING REFERENCE ONLY. MARK
ASSEMBY & SUB MARKS FOR SHIPPING

APPROVER / CONTRACTOR NOTE:
OVERALL DIMENSIONS ARE FOR REFER-
ENCE TO REQUEST VERIFICATION OF
SUFFICIENT MATERIAL FOR FIELD TRIM &
WELDING ROOF MEMBERS REINFORCING
HVAC DUCTS & EQUIPMENT, SEE PLANS
FOR ASSY MARK.

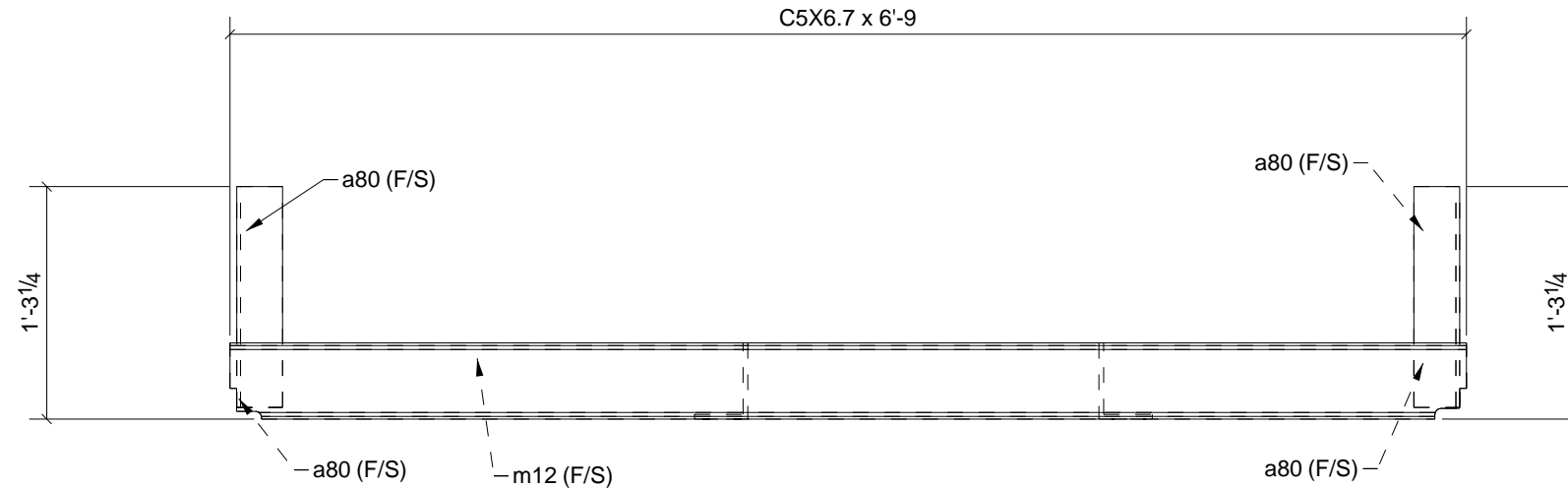
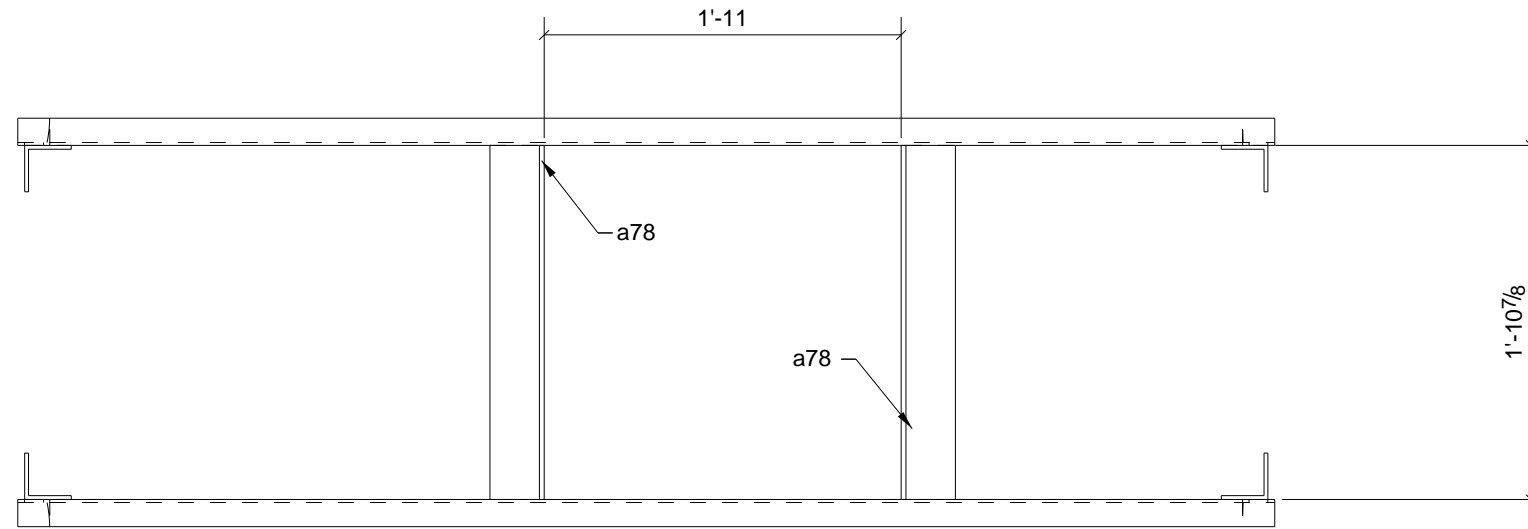
ONE - ROOF FRAME - 27M35

PHASE				
1	2	3	4	5
0	1	0	0	0

A	For Approval	06/18/10	TMc	TAN
REV.	DESCRIPTION	DATE	DWN	CHK
GENERAL NOTES				JOB USE
MATERIAL: A992 / A36	ELECTRODES: E70XX LH	REF. DRG.	SHOP	
HOLES: 13/16 DIA. U/N	CONN'S.: -	APPROVAL		
SURFACE PREP. SSPC-SP-2 AND PAINT: GREY PRIMER DEVOE NA-195 (U.N.)				
DESCRIPTION: ROOF FRAME				
PROJECT NAME Ross Middle School Addition/Remodel LOCATION Ross Local School District - Hamilton, O				
CONTRACTOR Endeavor				
Avenue Fabricating Inc. 1281 Clough Pike Batavia, OH 45103 (513) 752-1911			DRAWN BY	DATE
			TMc	06/18/2010
			CHKD. BY	DATE
			TAN	
JOB No.	DRG. No.	REV.		
10-11	27M35	1		

BILL OF MATERIAL

SHIP	MARK	NO PCS	DESCRIPTION	LENGTH	PIECE MARK	REMARKS
1	27M35	1	C5X6.7	6'-8"		SQ-2 A36
		2	L5X3-1/2X5/16	1'-8"	a74	A36
		4	L3X3X1/4	1'-4 1/2"	a79	A36
		1	C5X6.7	6'-8"	m10	A36



SHOP NOTE:
ALL MATERIAL IS PLAIN, ANY CUTS OR
COPEs OTHER THAN SQUARE CUTS ARE
FOR DRAFTING REFERENCE ONLY. MARK
ASSEMBLY & SUB MARKS FOR SHIPPING

APPROVER / CONTRACTOR NOTE:
OVERALL DIMENSIONS ARE FOR REFER-
ENCE TO REQUEST VERIFICATION OF
SUFFICIENT MATERIAL FOR FIELD TRIM &
WELDING ROOF MEMBERS REINFORCING
HVAC DUCTS & EQUIPMENT, SEE PLANS
FOR ASSY MARK.

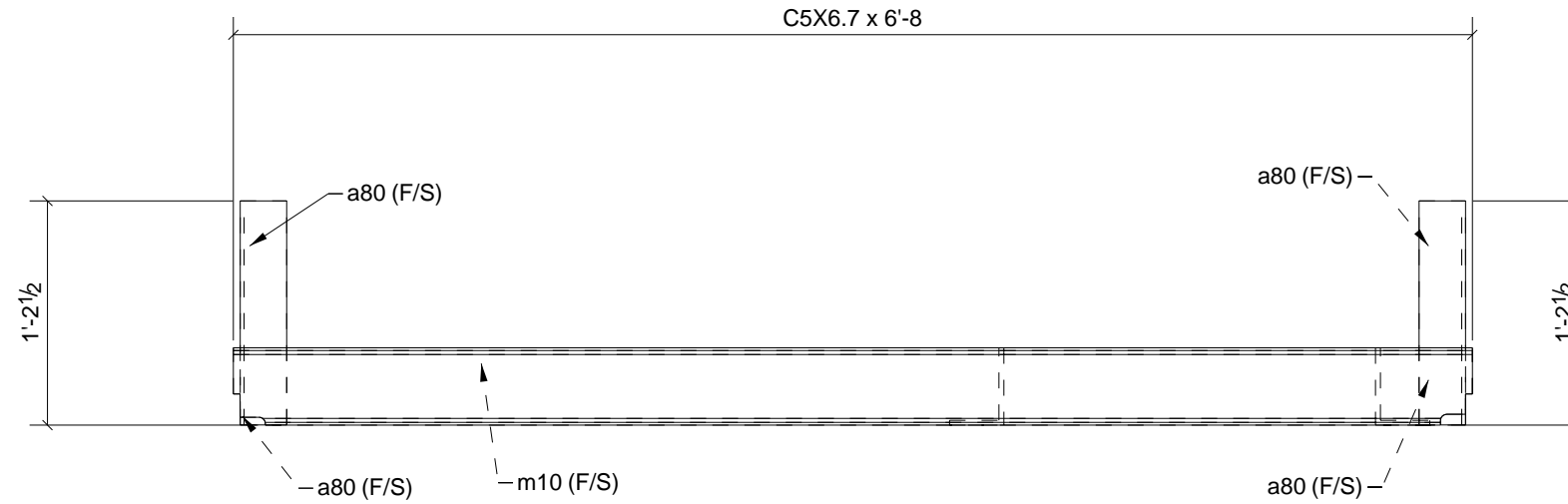
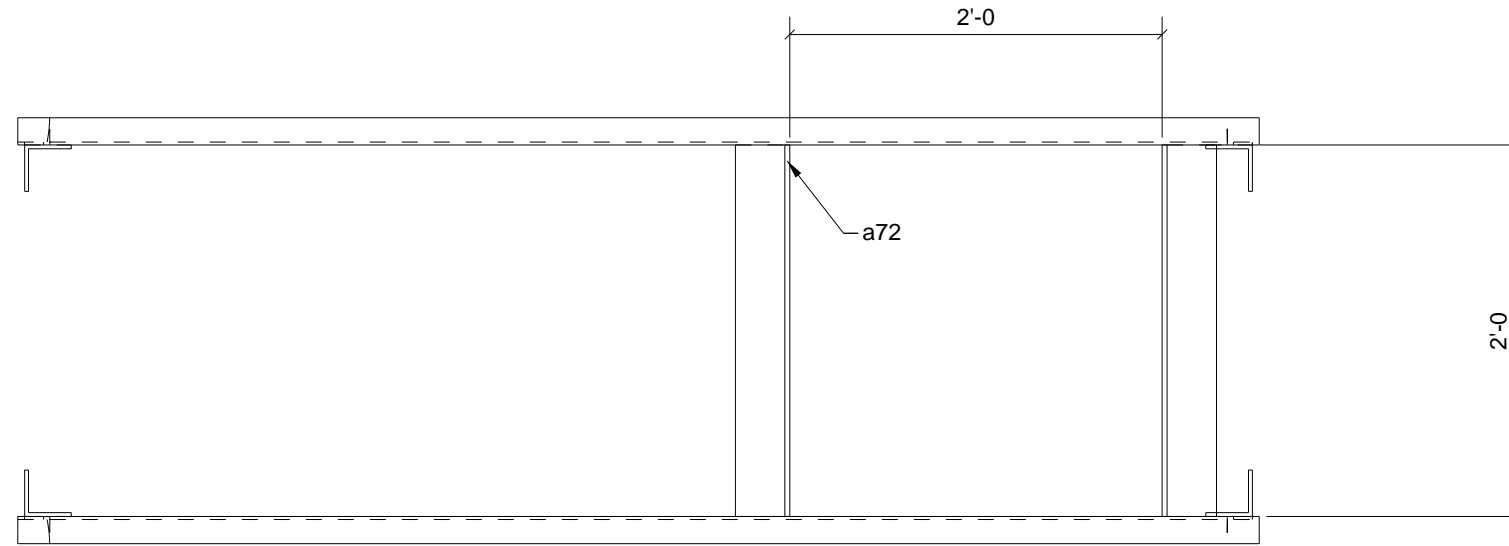
ONE - ROOF FRAME - 27M36

PHASE				
1	2	3	4	5
0	1	0	0	0

A	For Approval	06/18/10	TMc	TAN
REV.	DESCRIPTION	DATE	DWN	CHK
GENERAL NOTES			JOB USE	
MATERIAL: A992 / A36	ELECTRODES: E70XX LH	REF. DRG.		
HOLES: 13/16 DIA. U/N	CONN'S.: -	SHOP		
SURFACE PREP. SSPC-SP-2		APPROVAL		
AND PAINT: GREY PRIMER DEVOE NA-195 (U.N.)				
DESCRIPTION: ROOF FRAME				
PROJECT NAME Ross Middle School Addition/Remodel				
LOCATION Ross Local School District - Hamilton, O				
CONTRACTOR Endeavor				
Avenue Fabricating Inc.			DRAWN BY TMc	
1281 Clough Pike			DATE 06/18/2010	
Batavia, OH 45103			CHKD. BY TAN	
(513) 752-1911			DATE	
JOB No. 10-11		DRG. No. 27M36		REV. 1

BILL OF MATERIAL

SHIP	MARK	NO PCS	DESCRIPTION	LENGTH	PIECE MARK	REMARKS
1	27M36	1	C5X6.7	6'-9"	SQ-2 A36	
		2	L5X3-1/2X5/16	1'-10 7/8"	a78	A36
		4	L3X3X1/4	1'-2 1/2"	a80	A36
		1	C5X6.7	6'-9"	m12	A36



SHOP NOTE:
 ALL MATERIAL IS PLAIN, ANY CUTS OR COPEs OTHER THAN SQUARE CUTS ARE FOR DRAFTING REFERENCE ONLY. MARK ASSEMBLY & SUB MARKS FOR SHIPPING

APPROVER / CONTRACTOR NOTE:
 OVERALL DIMENSIONS ARE FOR REFERENCE TO REQUEST VERIFICATION OF SUFFICIENT MATERIAL FOR FIELD TRIM & WELDING ROOF MEMBERS REINFORCING HVAC DUCTS & EQUIPMENT, SEE PLANS FOR ASSY MARK.

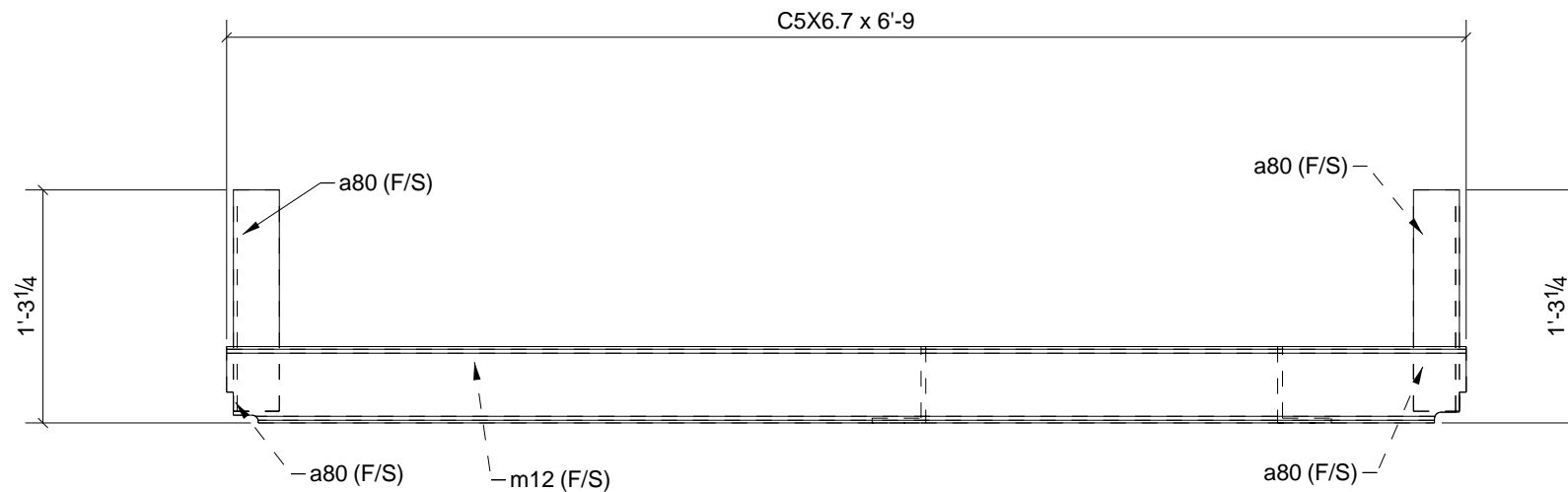
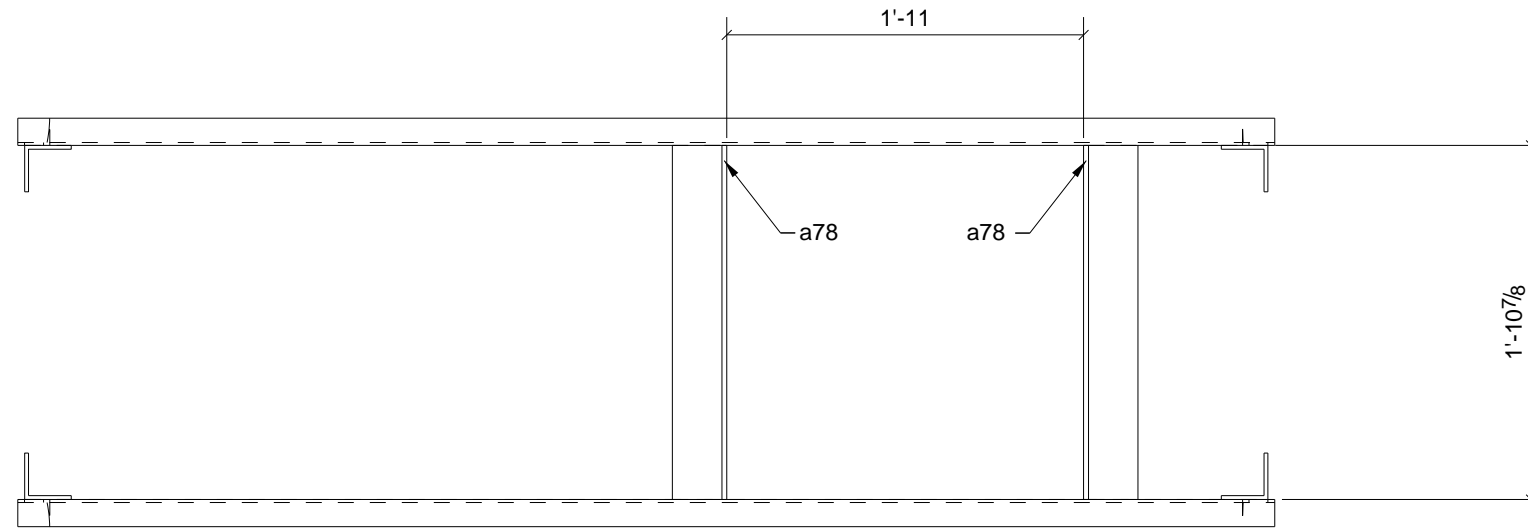
PHASE				
1	2	3	4	5
0	7	0	0	0

7 - ROOF FRAMES - 27M37

A	For Approval	06/18/10	TMc	TAN
REV.	DESCRIPTION	DATE	DWN	CHK
GENERAL NOTES			JOB USE	
MATERIAL: A992 / A36	ELECTRODES: E70XX LH	REF. DRG.	SHOP	
HOLES: 13/16 DIA. U/N	CONN'S.: -		APPROVAL	
SURFACE PREP. SSPC-SP-2 AND PAINT: GREY PRIMER DEVOE NA-195 (U.N.)				
DESCRIPTION: ROOF FRAME				
PROJECT NAME Ross Middle School Addition/Remodel LOCATION Ross Local School District - Hamilton, O				
CONTRACTOR Endeavor				
Avenue Fabricating Inc. 1281 Clough Pike Batavia, OH 45103 (513) 752-1911			DRAWN BY TMc	
			DATE 06/18/2010	
			CHKD. BY TAN	
			DATE	
JOB No. 10-11		DRG. No. 27M37		REV. 1

BILL OF MATERIAL

SHIP	MARK	NO PCS	DESCRIPTION	LENGTH	PIECE MARK	REMARKS
7	27M37	7	C5X6.7	6'-8"		SQ-2 A36
		14	L5X3-1/2X5/16	2'-0"	a72	A36
		28	L3X3X1/4	1'-2 1/2"	a80	A36
		7	C5X6.7	6'-8"	m10	A36



SHOP NOTE:
 ALL MATERIAL IS PLAIN, ANY CUTS OR
 COPEs OTHER THAN SQUARE CUTS ARE
 FOR DRAFTING REFERENCE ONLY. MARK
 ASSEMBY & SUB MARKS FOR SHIPPING

APPROVER / CONTRACTOR NOTE:
 OVERALL DIMENSIONS ARE FOR REFER-
 ENCE TO REQUEST VERIFICATION OF
 SUFFICIENT MATERIAL FOR FIELD TRIM &
 WELDING ROOF MEMBERS REINFORCING
 HVAC DUCTS & EQUIPMENT, SEE PLANS
 FOR ASSY MARK.

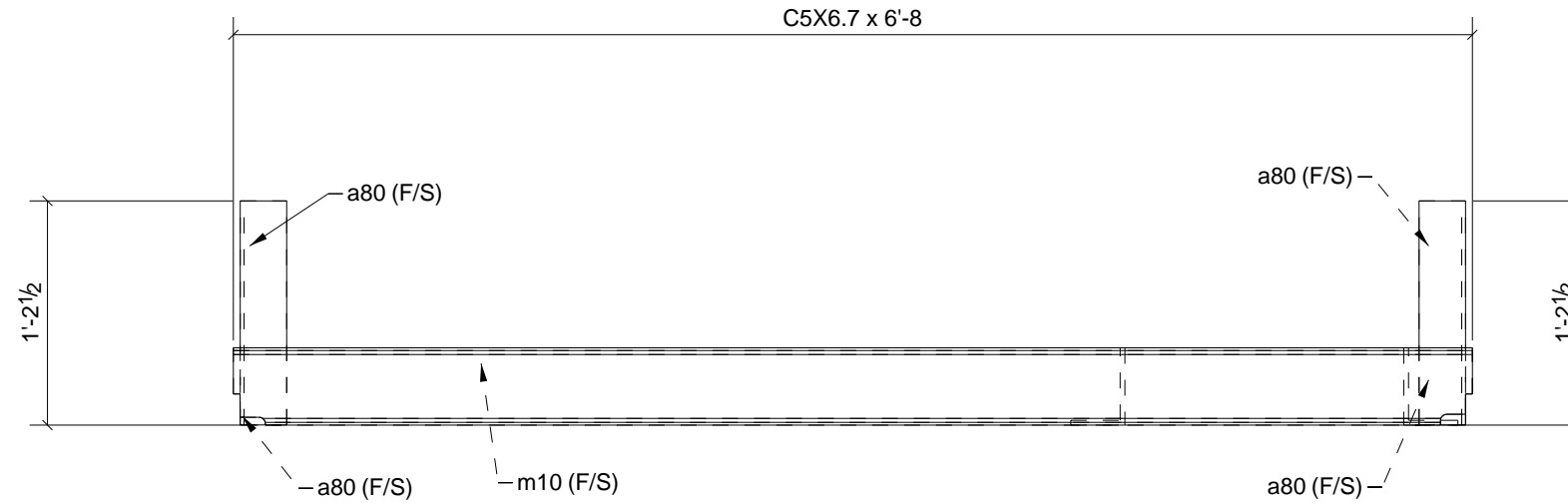
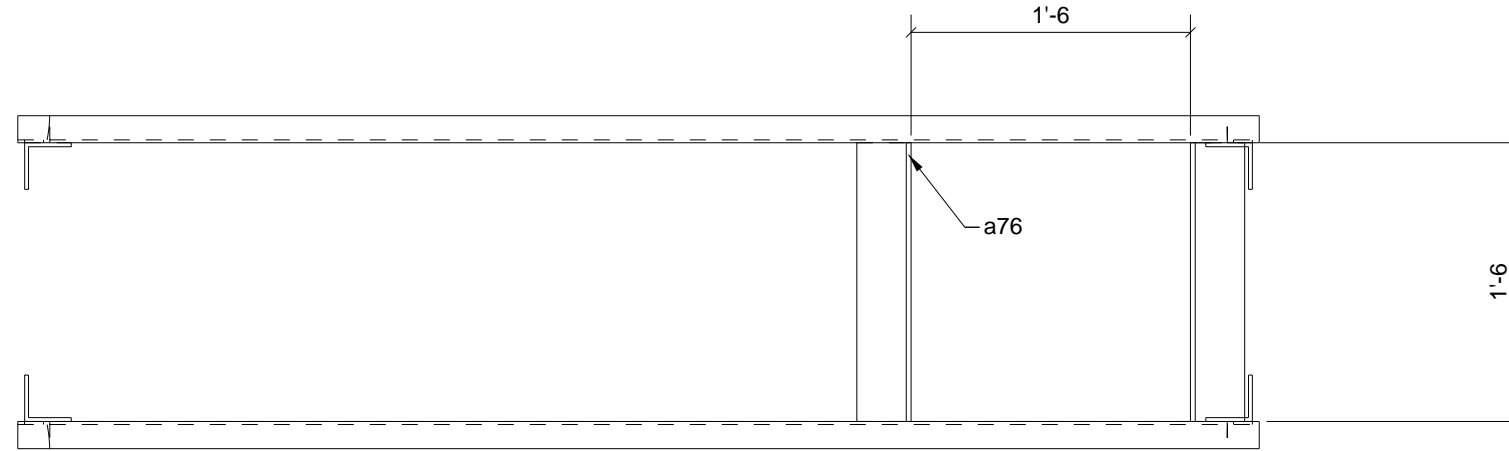
2 - ROOF FRAMES - 27M38

PHASE				
1	2	3	4	5
0	2	0	0	0

A	For Approval	06/18/10	TMc	TAN
REV.	DESCRIPTION	DATE	DWN	CHK
GENERAL NOTES			JOB USE	
MATERIAL: A992 / A36	ELECTRODES: E70XX LH	REF. DRG.		
HOLES: 13/16 DIA. U/N	CONN'S.: -	SHOP		
SURFACE PREP. SSPC-SP-2		APPROVAL		
AND PAINT: GREY PRIMER DEVOE NA-195 (U.N.)				
DESCRIPTION: ROOF FRAME				
PROJECT NAME		Ross Middle School Addition/Remodel		
LOCATION		Ross Local School District - Hamilton, O		
CONTRACTOR		Endeavor		
Avenue Fabricating Inc. 1281 Clough Pike Batavia, OH 45103 (513) 752-1911		DRAWN BY		DATE
		TMc		06/18/2010
		CHKD. BY		DATE
		TAN		
JOB No.		DRG. No.	REV.	
10-11		27M38	1	

BILL OF MATERIAL

SHIP	MARK	NO PCS	DESCRIPTION	LENGTH	PIECE MARK	REMARKS
2	27M38	2	C5X6.7	6'-9"		SQ-2 A36
		4	L5X3-1/2X5/16	1'-10 7/8"	a78	A36
		8	L3X3X1/4	1'-2 1/2"	a80	A36
		2	C5X6.7	6'-9"	m12	A36



SHOP NOTE:
ALL MATERIAL IS PLAIN, ANY CUTS OR
COPEs OTHER THAN SQUARE CUTS ARE
FOR DRAFTING REFERENCE ONLY. MARK
ASSEMBY & SUB MARKS FOR SHIPPING

APPROVER / CONTRACTOR NOTE:
OVERALL DIMENSIONS ARE FOR REFER-
ENCE TO REQUEST VERIFICATION OF
SUFFICIENT MATERIAL FOR FIELD TRIM &
WELDING ROOF MEMBERS REINFORCING
HVAC DUCTS & EQUIPMENT, SEE PLANS
FOR ASSY MARK.

ONE - ROOF FRAME - 27M39

PHASE				
1	2	3	4	5
0	1	0	0	0

A	For Approval	06/18/10	TMc	TAN
REV.	DESCRIPTION	DATE	DWN	CHK

GENERAL NOTES			JOB USE
MATERIAL: A992 / A36	ELECTRODES: E70XX LH	REF. DRG.	
HOLES: 13/16 DIA. U/N	CONN'S.: -		SHOP
SURFACE PREP. SSPC-SP-2 AND PAINT: GREY PRIMER DEVOE NA-195 (U.N.)			APPROVAL

DESCRIPTION:	ROOF FRAME
PROJECT NAME	Ross Middle School Addition/Remodel
LOCATION	Ross Local School District - Hamilton, O
CONTRACTOR	Endeavor

BILL OF MATERIAL						
SHIP	MARK	NO PCS	DESCRIPTION	LENGTH	PIECE MARK	REMARKS
1	27M39	1	C5X6.7	6'-8"		SQ-2 A36
		2	L5X3-1/2X5/16	1'-6"	a76	A36
		4	L3X3X1/4	1'-2 1/2"	a80	A36
		1	C5X6.7	6'-8"	m10	A36

Avenue Fabricating Inc.
1281 Clough Pike
Batavia, OH 45103
(513) 752-1911

DRAWN BY	TMc	DATE	06/18/2010
CHKD. BY	TAN	DATE	
JOB No.	10-11	DRG. No.	27M39
		REV.	1

EL=114'-6⁵/₁₆

EL=114'-7³/₁₆



PHASE				
1	2	3	4	5
0	20	0	0	0

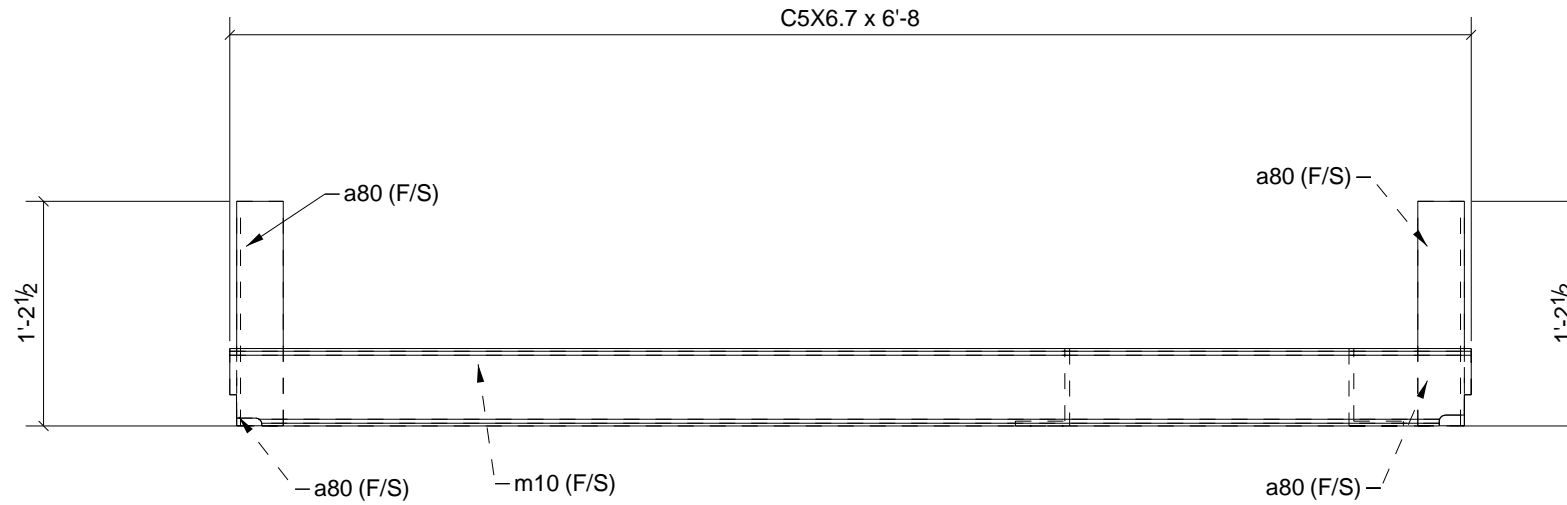
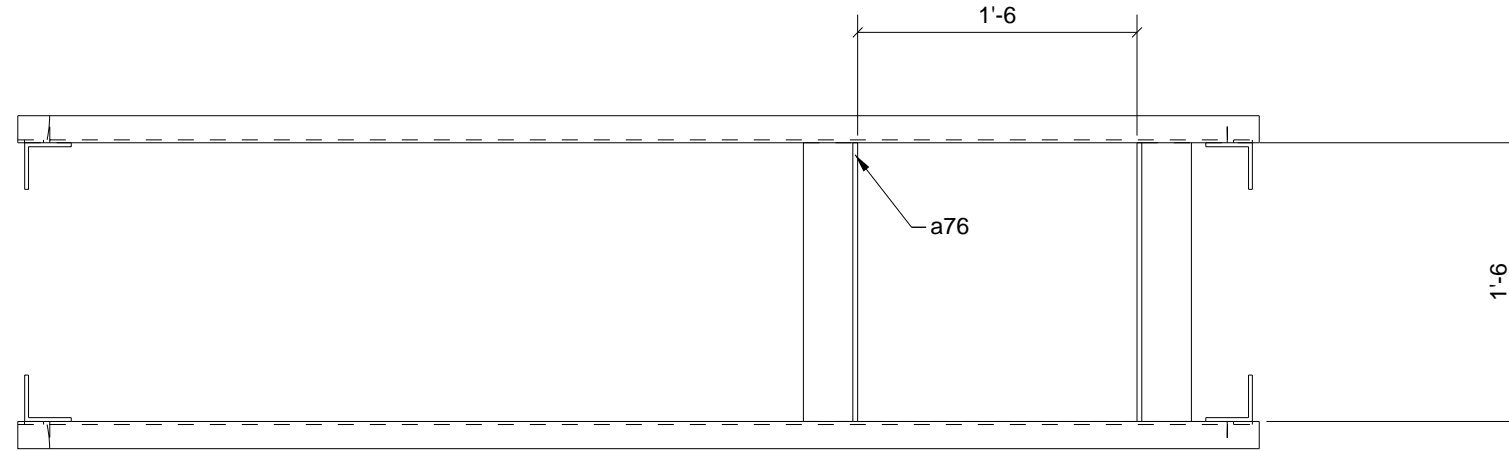
20 - PLATES - 27M4

A	For Approval	06/18/10	TMc	TAN
REV.	DESCRIPTION	DATE	DWN	CHK
GENERAL NOTES		JOB USE		
MATERIAL: A992 / A36	ELECTRODES: E70XX LH	REF. DRG.		
HOLES: 13/16 DIA. U/N	CONN'S.: -	SHOP		
SURFACE PREP. SSPC-SP-2 AND PAINT: GREY PRIMER DEVOE NA-195 (U.N.)		APPROVAL		
DESCRIPTION: PLATE				
PROJECT NAME Ross Middle School Addition/Remodel LOCATION Ross Local School District - Hamilton, O				
CONTRACTOR Endeavor				
		DRAWN BY TMc		DATE 06/18/2010
		CHKD. BY TAN		DATE
		JOB No. 10-11	DRG. No. 27M4	REV. 1

BILL OF MATERIAL

SHIP	MARK	NO PCS	DESCRIPTION	LENGTH	PIECE MARK	REMARKS
20	27M4	20	PL1/4"X24"	10'-0"		SQ-2 A36

Avenue Fabricating Inc.
1281 Clough Pike
Batavia, OH 45103
(513) 752-1911



SHOP NOTE:
 ALL MATERIAL IS PLAIN. ANY CUTS OR
 COPEs OTHER THAN SQUARE CUTS ARE
 FOR DRAFTING REFERENCE ONLY. MARK
 ASSEMBY & SUB MARKS FOR SHIPPING

APPROVER / CONTRACTOR NOTE:
 OVERALL DIMENSIONS ARE FOR REFER-
 ENCE TO REQUEST VERIFICATION OF
 SUFFICIENT MATERIAL FOR FIELD TRIM &
 WELDING ROOF MEMBERS REINFORCING
 HVAC DUCTS & EQUIPMENT, SEE PLANS
 FOR ASSY MARK.

ONE - ROOF FRAME - 27M40

PHASE				
1	2	3	4	5
0	1	0	0	0

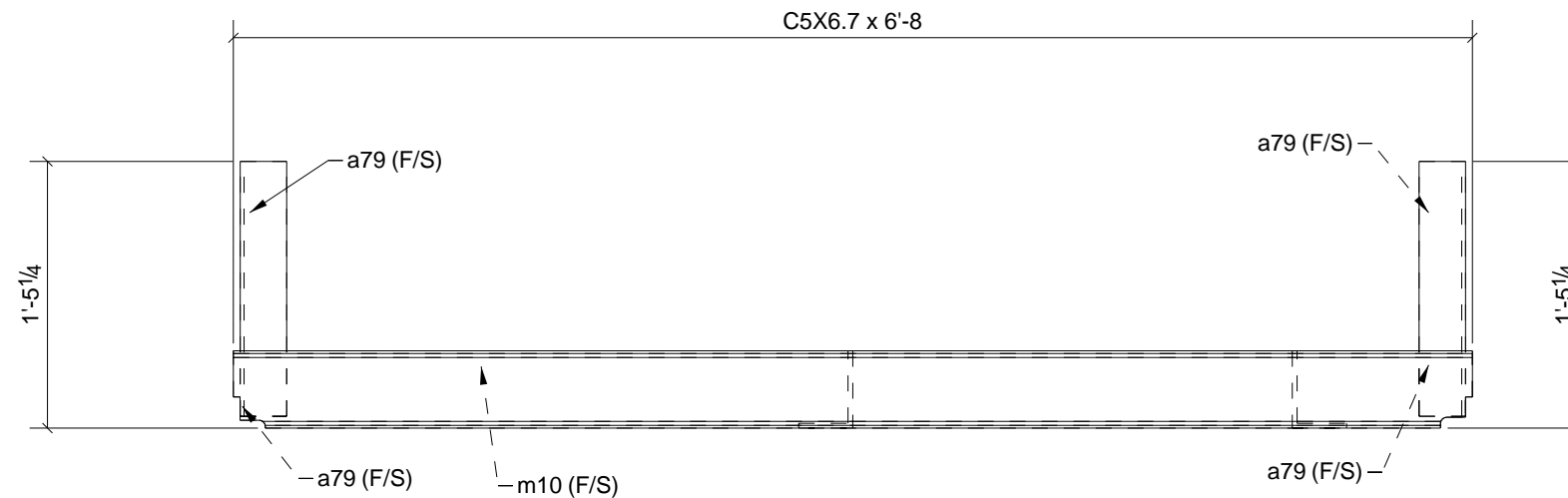
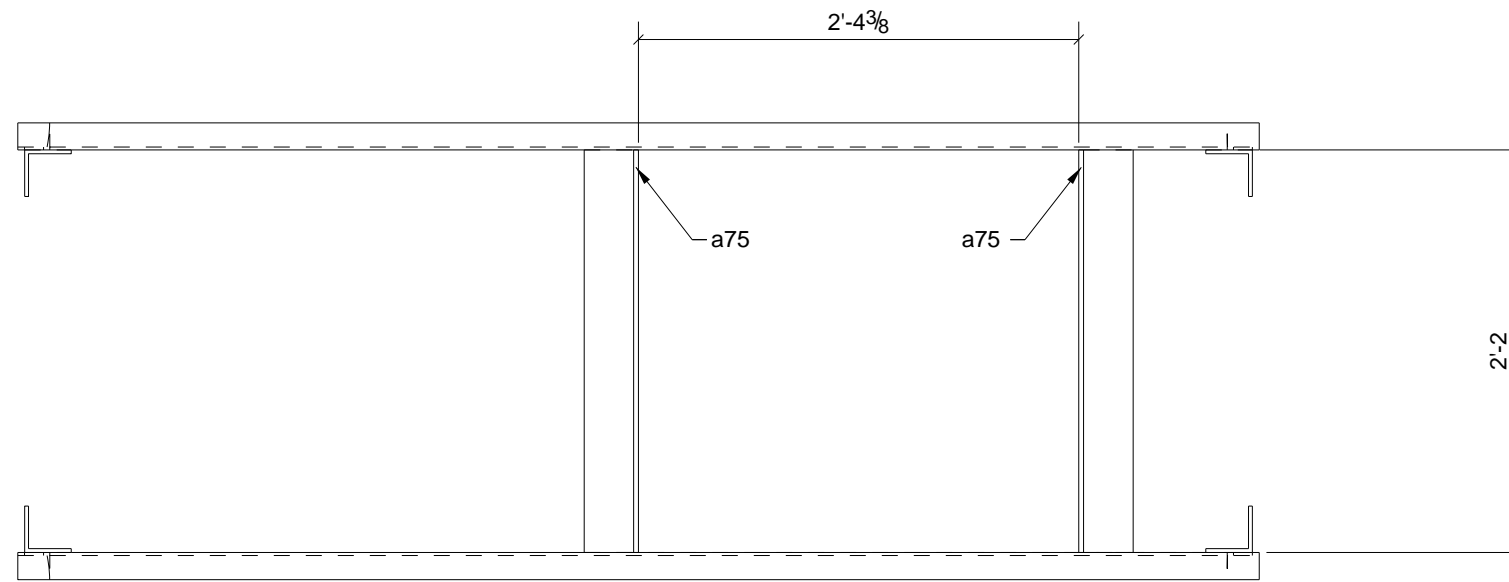
A	For Approval	06/18/10	TMc	TAN
REV.	DESCRIPTION	DATE	DWN	CHK

GENERAL NOTES			JOB USE
MATERIAL: A992 / A36	ELECTRODES: E70XX LH	REF. DRG.	
HOLES: 13/16 DIA. U/N	CONN'S.: -		SHOP
SURFACE PREP. SSPC-SP-2 AND PAINT: GREY PRIMER DEVOE NA-195 (U.N.)			APPROVAL

DESCRIPTION:	ROOF FRAME
PROJECT NAME	Ross Middle School Addition/Remodel
LOCATION	Ross Local School District - Hamilton, O
CONTRACTOR	Endeavor

BILL OF MATERIAL						
SHIP	MARK	NO PCS	DESCRIPTION	LENGTH	PIECE MARK	REMARKS
1	27M40	1	C5X6.7	6'-8"		SQ-2 A36
		2	L5X3-1/2X5/16	1'-6"	a76	A36
		4	L3X3X1/4	1'-2 1/2"	a80	A36
		1	C5X6.7	6'-8"	m10	A36

Avenue Fabricating Inc. 1281 Clough Pike Batavia, OH 45103 (513) 752-1911	DRAWN BY	DATE
	TMc	06/18/2010
	CHKD. BY	DATE
	TAN	
JOB No.	DRG. No.	REV.
10-11	27M40	1



SHOP NOTE:
ALL MATERIAL IS PLAIN, ANY CUTS OR COPEs OTHER THAN SQUARE CUTS ARE FOR DRAFTING REFERENCE ONLY. MARK ASSEMBLY & SUB MARKS FOR SHIPPING

APPROVER / CONTRACTOR NOTE:
OVERALL DIMENSIONS ARE FOR REFERENCE TO REQUEST VERIFICATION OF SUFFICIENT MATERIAL FOR FIELD TRIM & WELDING ROOF MEMBERS REINFORCING HVAC DUCTS & EQUIPMENT, SEE PLANS FOR ASSY MARK.

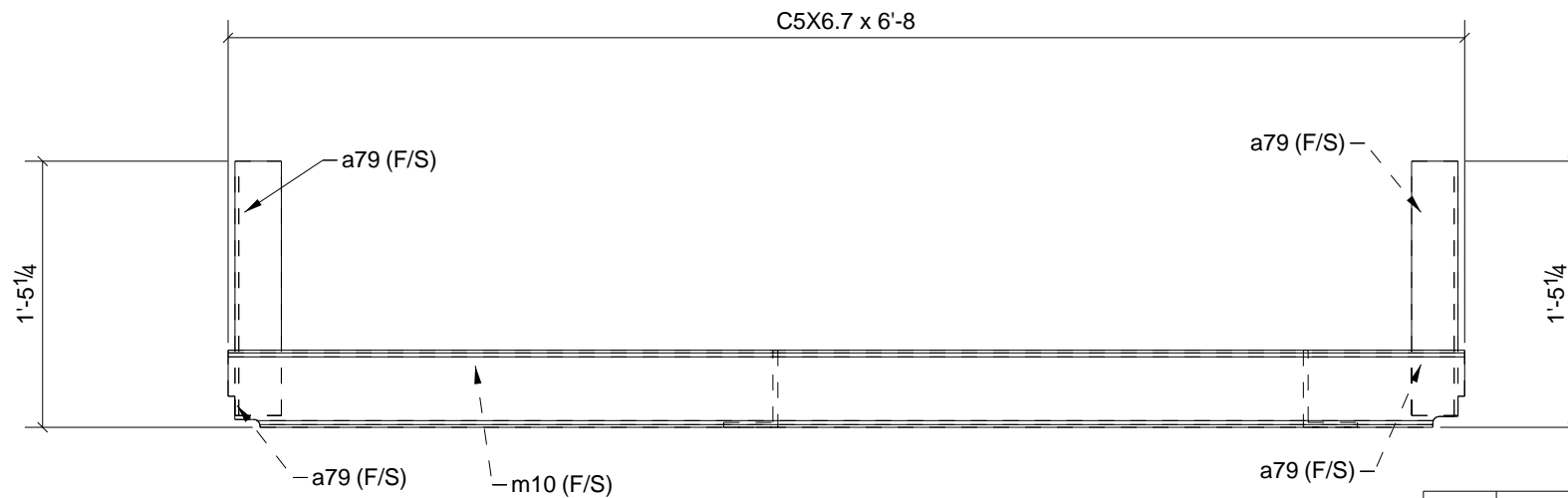
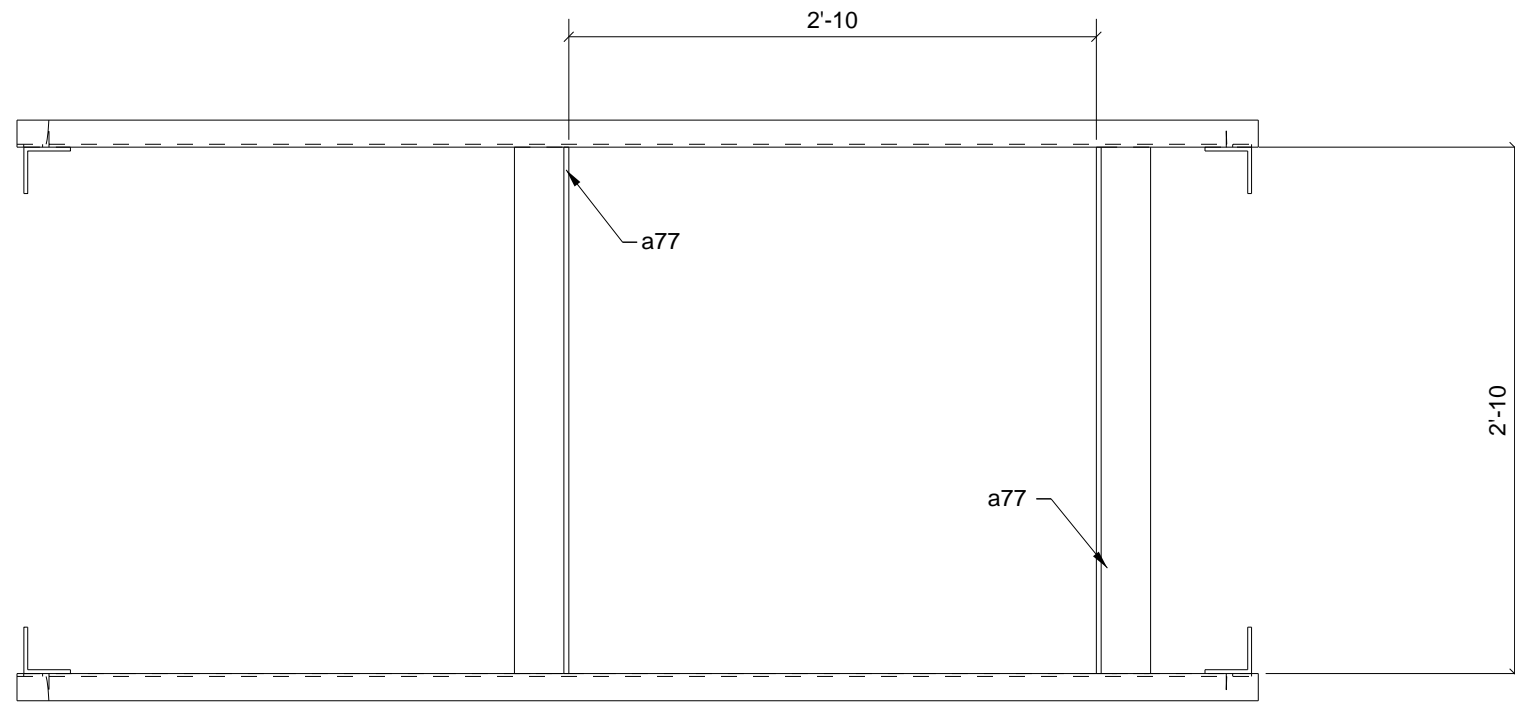
ONE - ROOF FRAME - 27M41

PHASE				
1	2	3	4	5
0	1	0	0	0

A	For Approval	06/18/10	TMc	TAN
REV.	DESCRIPTION	DATE	DWN	CHK
GENERAL NOTES				JOB USE
MATERIAL: A992 / A36		ELECTRODES: E70XX LH	REF. DRG.	
HOLES: 13/16 DIA. U/N		CONN'S.: -	SHOP	
SURFACE PREP. SSPC-SP-2		APPROVAL		
AND PAINT: GREY PRIMER DEVOE NA-195 (U.N.)				
DESCRIPTION: ROOF FRAME				
PROJECT NAME: Ross Middle School Addition/Remodel				
LOCATION: Ross Local School District - Hamilton, O				
CONTRACTOR: Endeavor				
Avenue Fabricating Inc. 1281 Clough Pike Batavia, OH 45103 (513) 752-1911			DRAWN BY: TMc	
			DATE: 06/18/2010	
			CHKD. BY: TAN	
			DATE:	
JOB No. 10-11		DRG. No. 27M41		REV. 1

BILL OF MATERIAL

SHIP	MARK	NO PCS	DESCRIPTION	LENGTH	PIECE MARK	REMARKS
1	27M41	1	C5X6.7	6'-8"		SQ-2 A36
		2	L5X3-1/2X5/16	2'-2"	a75	A36
		4	L3X3X1/4	1'-4 1/2"	a79	A36
		1	C5X6.7	6'-8"	m10	A36



SHOP NOTE:
ALL MATERIAL IS PLAIN, ANY CUTS OR
COPEs OTHER THAN SQUARE CUTS ARE
FOR DRAFTING REFERENCE ONLY. MARK
ASSEMBLY & SUB MARKS FOR SHIPPING

APPROVER / CONTRACTOR NOTE:
OVERALL DIMENSIONS ARE FOR REFER-
ENCE TO REQUEST VERIFICATION OF
SUFFICIENT MATERIAL FOR FIELD TRIM &
WELDING ROOF MEMBERS REINFORCING
HVAC DUCTS & EQUIPMENT, SEE PLANS
FOR ASSY MARK.

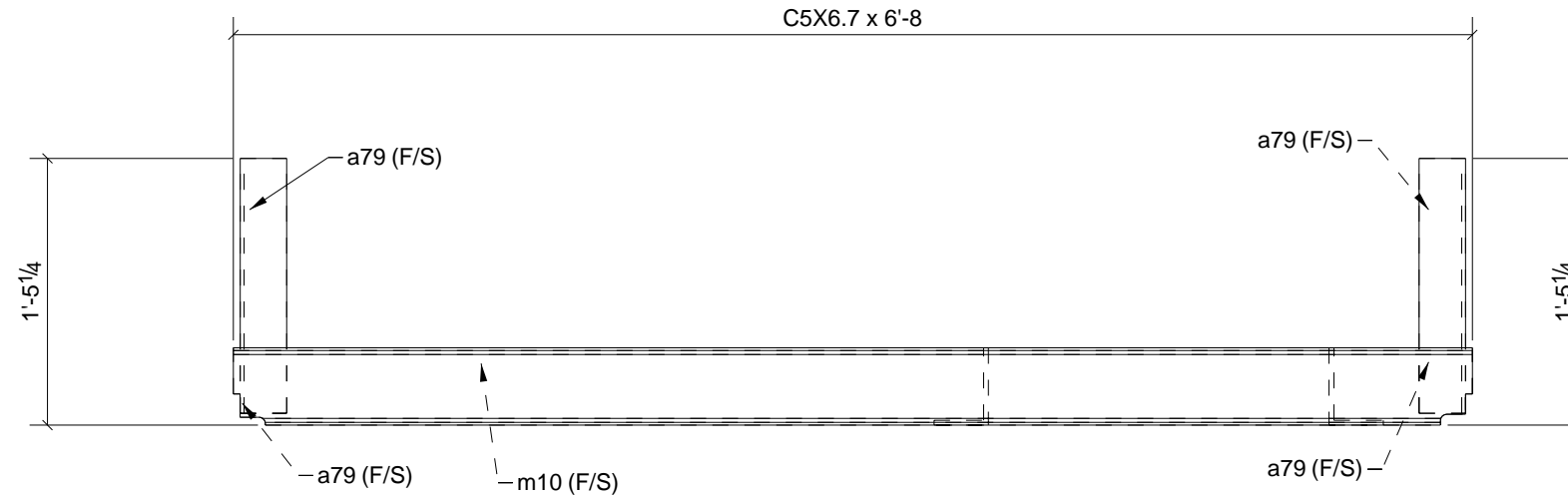
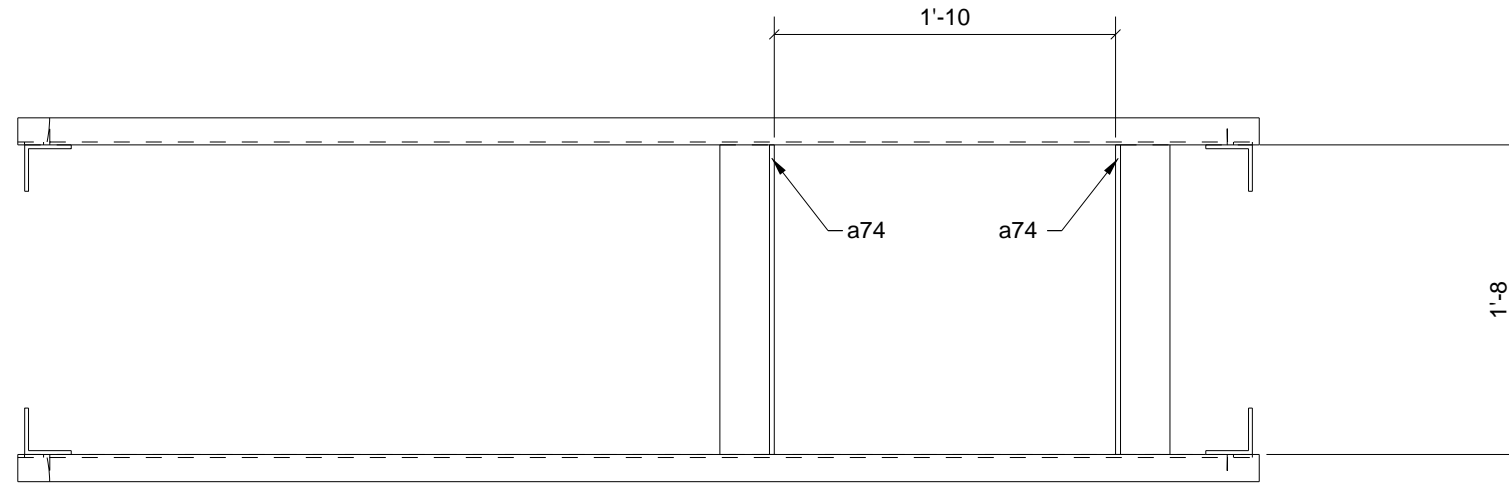
2 - ROOF FRAMES - 27M42

PHASE				
1	2	3	4	5
0	2	0	0	0

A	For Approval	06/18/10	TMc	TAN
REV.	DESCRIPTION	DATE	DWN	CHK
GENERAL NOTES			JOB USE	
MATERIAL: A992 / A36	ELECTRODES: E70XX LH	REF. DRG.	SHOP	
HOLES: 13/16 DIA. U/N	CONN'S.: -		APPROVAL	
SURFACE PREP. SSPC-SP-2				
AND PAINT: GREY PRIMER DEVOE NA-195 (U.N.)				
DESCRIPTION: ROOF FRAME				
PROJECT NAME		Ross Middle School Addition/Remodel		
LOCATION		Ross Local School District - Hamilton, O		
CONTRACTOR		Endeavor		
<p style="text-align: center;">Avenue Fabricating Inc. 1281 Clough Pike Batavia, OH 45103 (513) 752-1911</p>		DRAWN BY		DATE
		TMc		06/18/2010
		CHKD. BY		DATE
		TAN		
JOB No.		DRG. No.	REV.	
10-11		27M42	1	

BILL OF MATERIAL

SHIP	MARK	NO PCS	DESCRIPTION	LENGTH	PIECE MARK	REMARKS
2	27M42	2	C5X6.7	6'-8"		SQ-2 A36
		4	L5X3-1/2X5/16	2'-10"	a77	A36
		8	L3X3X1/4	1'-4 1/2"	a79	A36
		2	C5X6.7	6'-8"	m10	A36



SHOP NOTE:
ALL MATERIAL IS PLAIN, ANY CUTS OR
COPEs OTHER THAN SQUARE CUTS ARE
FOR DRAFTING REFERENCE ONLY. MARK
ASSEMBLY & SUB MARKS FOR SHIPPING

APPROVER / CONTRACTOR NOTE:
OVERALL DIMENSIONS ARE FOR REFER-
ENCE TO REQUEST VERIFICATION OF
SUFFICIENT MATERIAL FOR FIELD TRIM &
WELDING ROOF MEMBERS REINFORCING
HVAC DUCTS & EQUIPMENT, SEE PLANS
FOR ASSY MARK.

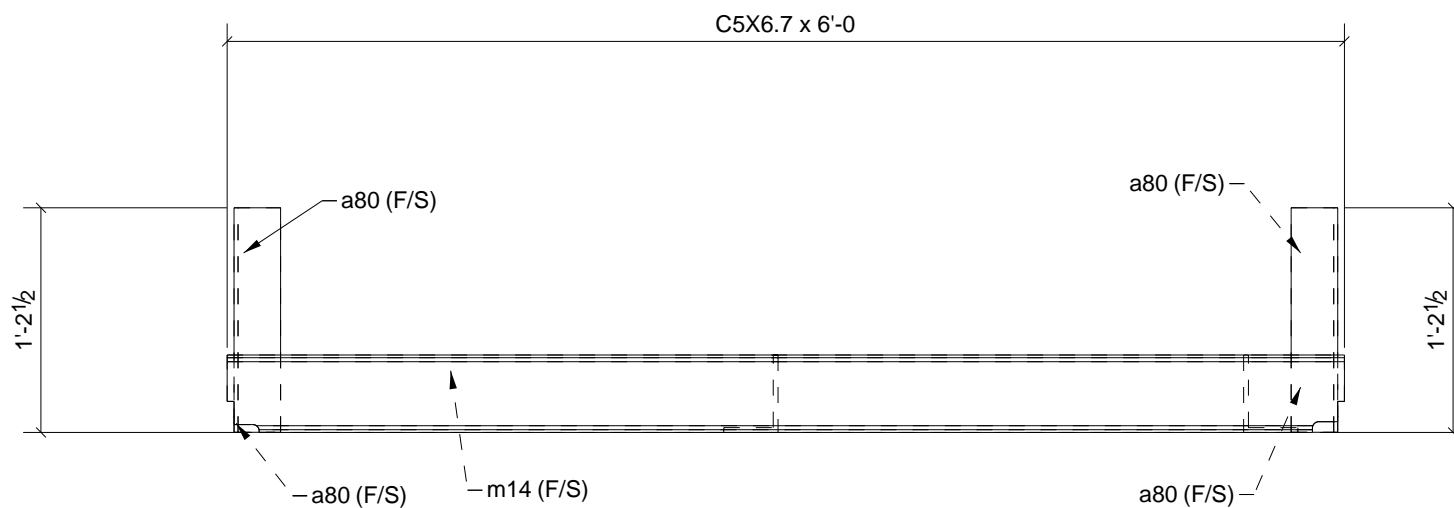
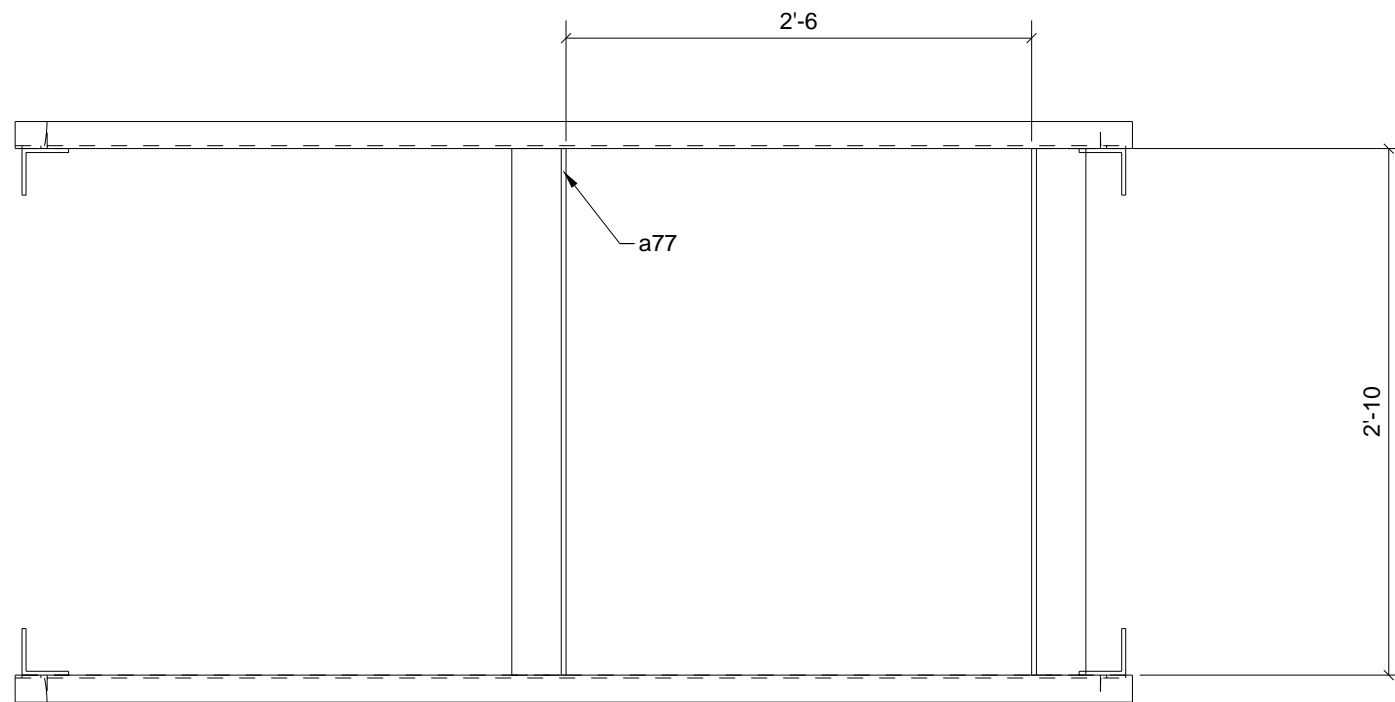
2 - ROOF FRAMES - 27M43

PHASE				
1	2	3	4	5
0	2	0	0	0

A	For Approval	06/18/10	TMc	TAN
REV.	DESCRIPTION	DATE	DWN	CHK
GENERAL NOTES			JOB USE	
MATERIAL: A992 / A36		ELECTRODES: E70XX LH	REF. DRG.	
HOLES: 13/16 DIA. U/N		CONN'S.: -	SHOP	
SURFACE PREP. SSPC-SP-2			APPROVAL	
AND PAINT: GREY PRIMER DEVOE NA-195 (U.N.)				
DESCRIPTION: ROOF FRAME				
PROJECT NAME: Ross Middle School Addition/Remodel				
LOCATION: Ross Local School District - Hamilton, O				
CONTRACTOR: Endeavor				
Avenue Fabricating Inc. 1281 Clough Pike Batavia, OH 45103 (513) 752-1911			DRAWN BY: TMc	
			DATE: 06/18/2010	
			CHKD. BY: TAN	
			DATE:	
JOB No. 10-11		DRG. No. 27M43		REV. 1

BILL OF MATERIAL

SHIP	MARK	NO PCS	DESCRIPTION	LENGTH	PIECE MARK	REMARKS
2	27M43	2	C5X6.7	6'-8"		SQ-2 A36
		4	L5X3-1/2X5/16	1'-8"	a74	A36
		8	L3X3X1/4	1'-4 1/2"	a79	A36
		2	C5X6.7	6'-8"	m10	A36



SHOP NOTE:
ALL MATERIAL IS PLAIN, ANY CUTS OR
COPEs OTHER THAN SQUARE CUTS ARE
FOR DRAFTING REFERENCE ONLY. MARK
ASSEMBY & SUB MARKS FOR SHIPPING

APPROVER / CONTRACTOR NOTE:
OVERALL DIMENSIONS ARE FOR REFER-
ENCE TO REQUEST VERIFICATION OF
SUFFICIENT MATERIAL FOR FIELD TRIM &
WELDING ROOF MEMBERS REINFORCING
HVAC DUCTS & EQUIPMENT, SEE PLANS
FOR ASSY MARK.

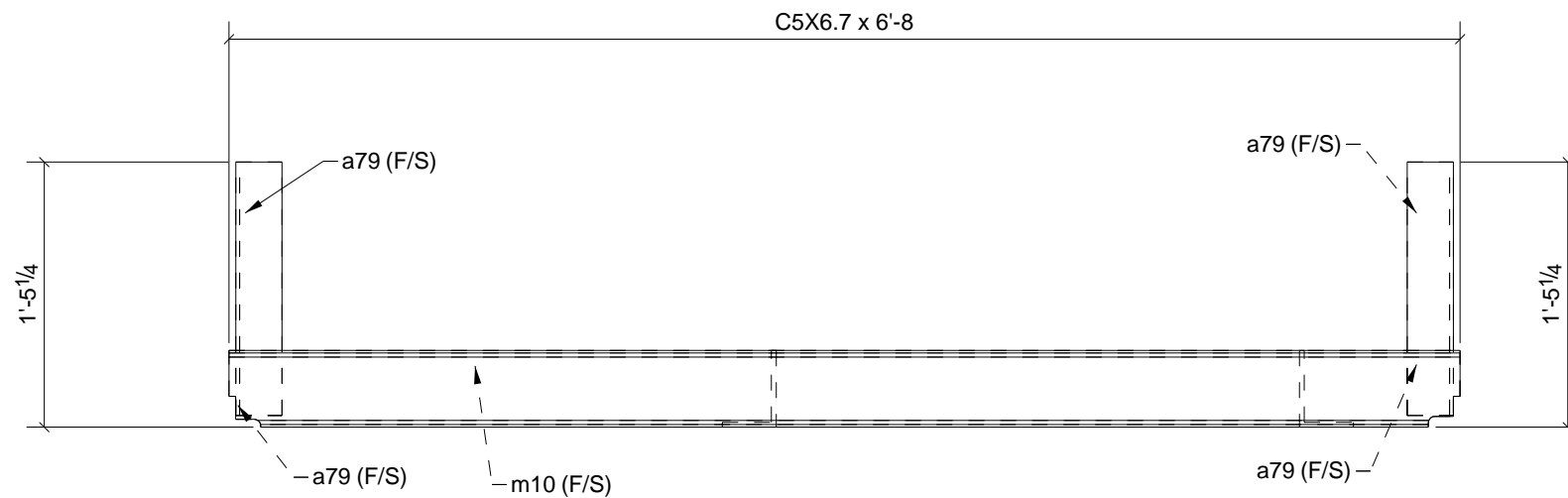
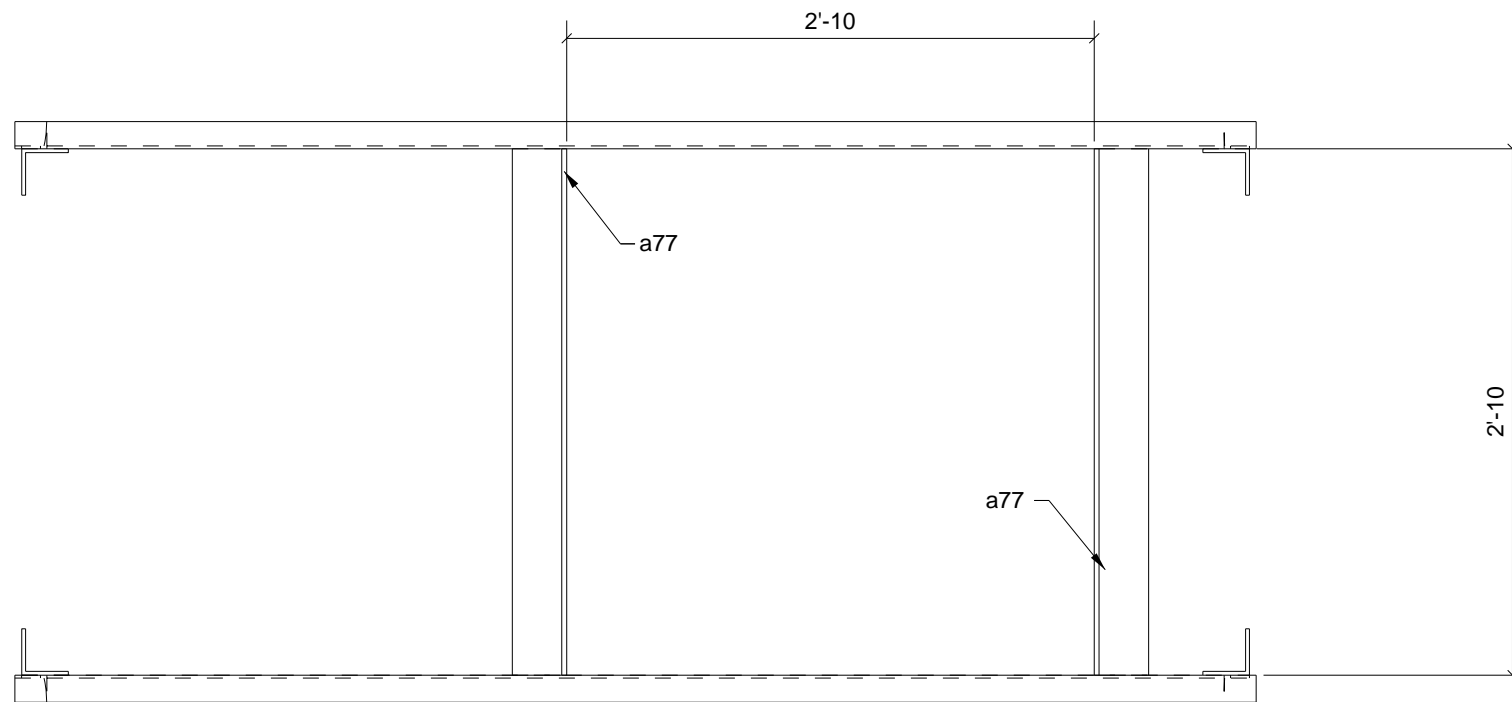
ONE - ROOF FRAME - 27M44

PHASE				
1	2	3	4	5
0	1	0	0	0

A	For Approval	06/18/10	TMc	TAN
REV.	DESCRIPTION	DATE	DWN	CHK
GENERAL NOTES			JOB USE	
MATERIAL: A992 / A36	ELECTRODES: E70XX LH	REF. DRG.		
HOLES: 13/16 DIA. U/N	CONN'S.: -	SHOP		
SURFACE PREP. SSPC-SP-2		APPROVAL		
AND PAINT: GREY PRIMER DEVOE NA-195 (U.N.)				
DESCRIPTION: ROOF FRAME				
PROJECT NAME		Ross Middle School Addition/Remodel		
LOCATION		Ross Local School District - Hamilton, O		
CONTRACTOR		Endeavor		
<p style="text-align: center;">Avenue Fabricating Inc. 1281 Clough Pike Batavia, OH 45103 (513) 752-1911</p>		DRAWN BY		DATE
		TMc		06/18/2010
		CHKD. BY		DATE
		TAN		
JOB No.		DRG. No.	REV.	
10-11		27M44	1	

BILL OF MATERIAL

SHIP	MARK	NO PCS	DESCRIPTION	LENGTH	PIECE MARK	REMARKS
1	27M44	1	C5X6.7	6'-0"		SQ-2 A36
		2	L5X3-1/2X5/16	2'-10"	a77	A36
		4	L3X3X1/4	1'-2 1/2"	a80	A36
		1	C5X6.7	6'-0"	m14	A36



SHOP NOTE:
ALL MATERIAL IS PLAIN, ANY CUTS OR
COPEs OTHER THAN SQUARE CUTS ARE
FOR DRAFTING REFERENCE ONLY. MARK
ASSEMBLY & SUB MARKS FOR SHIPPING

APPROVER / CONTRACTOR NOTE:
OVERALL DIMENSIONS ARE FOR REFER-
ENCE TO REQUEST VERIFICATION OF
SUFFICIENT MATERIAL FOR FIELD TRIM &
WELDING ROOF MEMBERS REINFORCING
HVAC DUCTS & EQUIPMENT, SEE PLANS
FOR ASSY MARK.

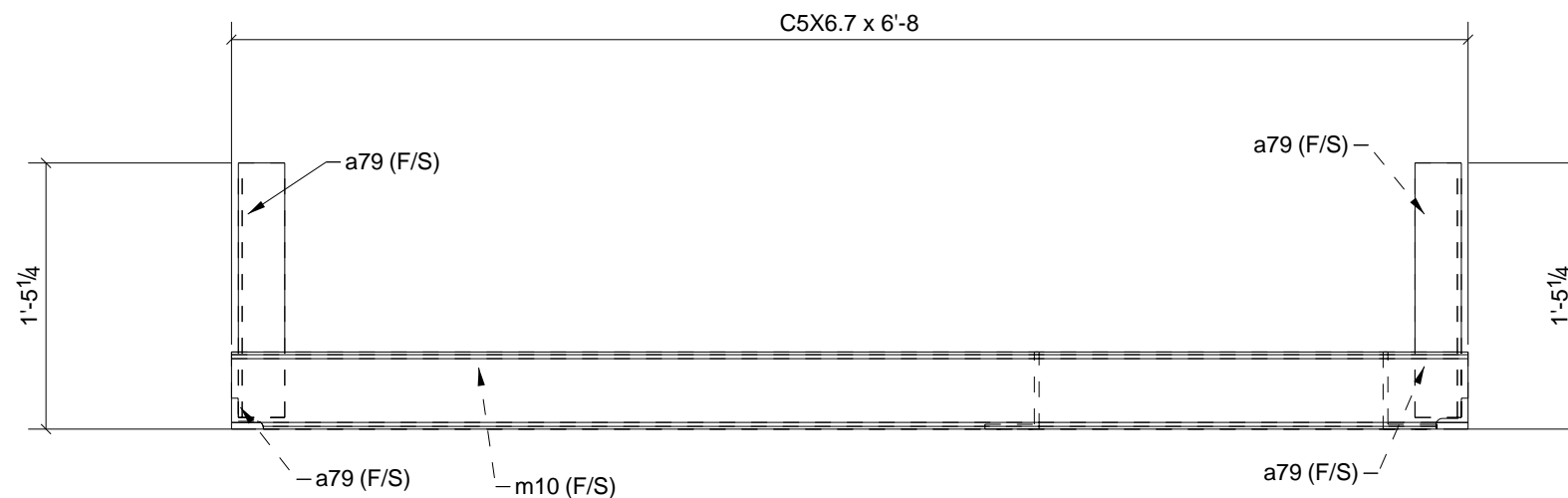
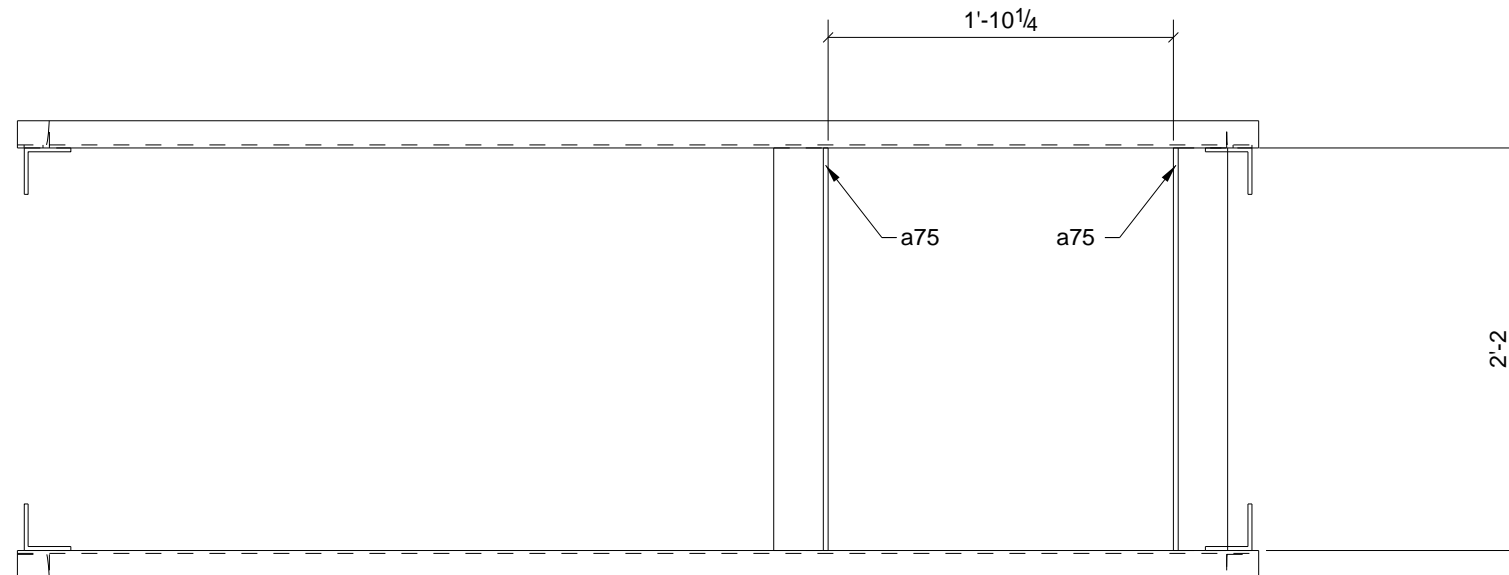
ONE - ROOF FRAME - 27M45

PHASE				
1	2	3	4	5
0	1	0	0	0

A	For Approval	06/18/10	TMc	TAN	
REV.	DESCRIPTION	DATE	DWN	CHK	
GENERAL NOTES			JOB USE		
MATERIAL: A992 / A36	ELECTRODES: E70XX LH	REF. DRG.	SHOP		
HOLES: 13/16 DIA. U/N	CONN'S.: -		APPROVAL		
SURFACE PREP. SSPC-SP-2					
AND PAINT: GREY PRIMER DEVOE NA-195 (U.N.)					
DESCRIPTION: ROOF FRAME					
PROJECT NAME Ross Middle School Addition/Remodel					
LOCATION Ross Local School District - Hamilton, O					
CONTRACTOR Endeavor					
<p align="center">Avenue Fabricating Inc. 1281 Clough Pike Batavia, OH 45103 (513) 752-1911</p>		DRAWN BY TMc		DATE 06/18/2010	
		CHKD. BY TAN		DATE	
		JOB No. 10-11		DRG. No. 27M45	REV. 1

BILL OF MATERIAL

SHIP	MARK	NO PCS	DESCRIPTION	LENGTH	PIECE MARK	REMARKS
1	27M45	1	C5X6.7	6'-8"		SQ-2 A36
		2	L5X3-1/2X5/16	2'-10"	a77	A36
		4	L3X3X1/4	1'-4 1/2"	a79	A36
		1	C5X6.7	6'-8"	m10	A36



SHOP NOTE:
ALL MATERIAL IS PLAIN, ANY CUTS OR
COPEs OTHER THAN SQUARE CUTS ARE
FOR DRAFTING REFERENCE ONLY. MARK
ASSEMBLY & SUB MARKS FOR SHIPPING

APPROVER / CONTRACTOR NOTE:
OVERALL DIMENSIONS ARE FOR REFER-
ENCE TO REQUEST VERIFICATION OF
SUFFICIENT MATERIAL FOR FIELD TRIM &
WELDING ROOF MEMBERS REINFORCING
HVAC DUCTS & EQUIPMENT, SEE PLANS
FOR ASSY MARK.

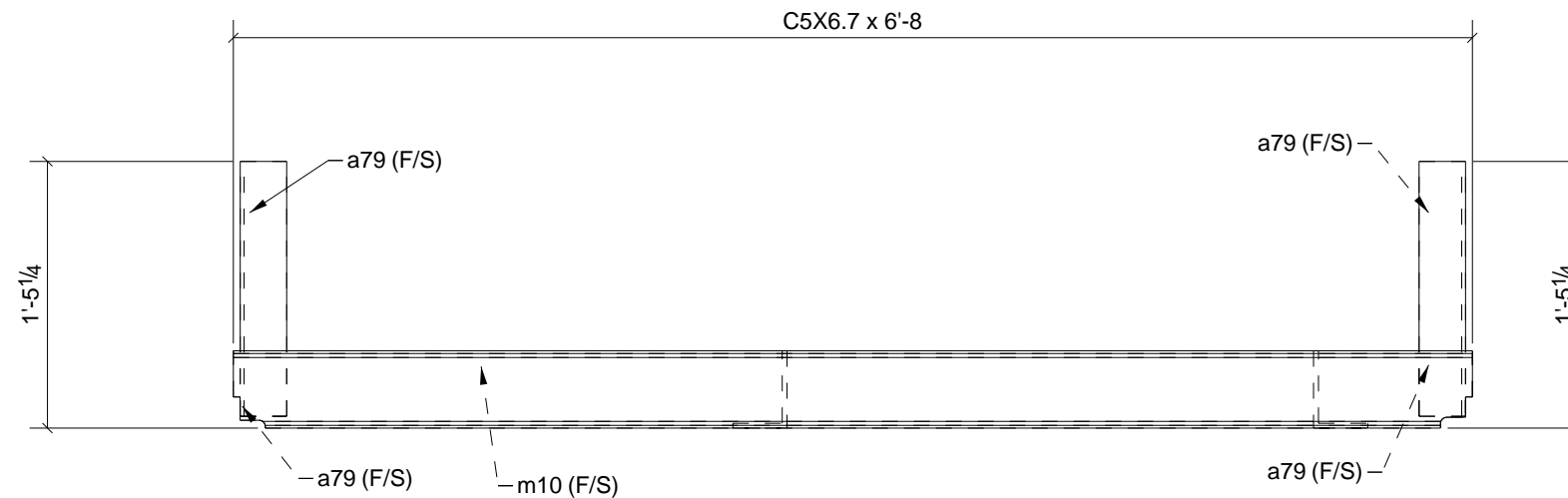
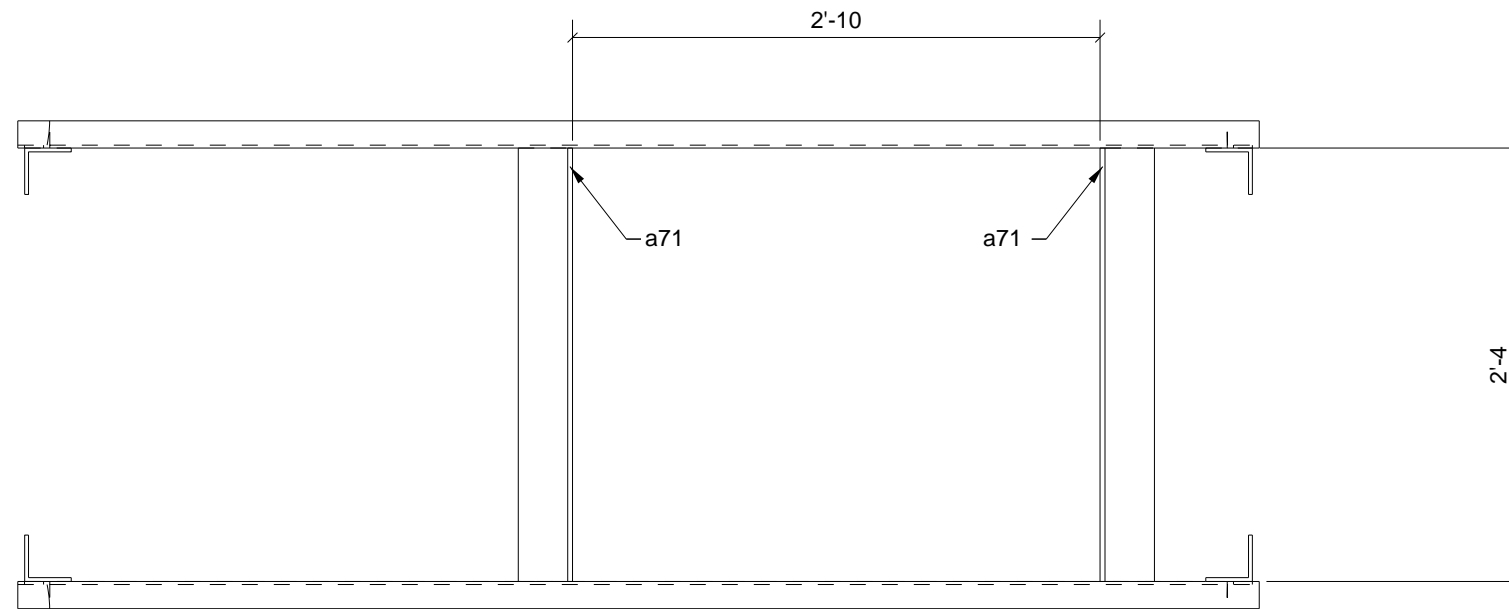
ONE - ROOF FRAME - 27M46

PHASE				
1	2	3	4	5
0	1	0	0	0

A	For Approval	06/18/10	TMc	TAN
REV.	DESCRIPTION	DATE	DWN	CHK
GENERAL NOTES			JOB USE	
MATERIAL: A992 / A36	ELECTRODES: E70XX LH	REF. DRG.	SHOP	
HOLES: 13/16 DIA. U/N	CONN'S.: -		APPROVAL	
SURFACE PREP. SSPC-SP-2				
AND PAINT: GREY PRIMER DEVOE NA-195 (U.N.)				
DESCRIPTION: ROOF FRAME				
PROJECT NAME		Ross Middle School Addition/Remodel		
LOCATION		Ross Local School District - Hamilton, O		
CONTRACTOR		Endeavor		
<p style="text-align: center;">Avenue Fabricating Inc. 1281 Clough Pike Batavia, OH 45103 (513) 752-1911</p>		DRAWN BY		DATE
		TMc		06/18/2010
		CHKD. BY		DATE
		TAN		
JOB No.		DRG. No.	REV.	
10-11		27M46	1	

BILL OF MATERIAL

SHIP	MARK	NO PCS	DESCRIPTION	LENGTH	PIECE MARK	REMARKS
1	27M46	1	C5X6.7	6'-8"	SQ-2 A36	
		2	L5X3-1/2X5/16	2'-2"	a75	A36
		4	L3X3X1/4	1'-4 1/2"	a79	A36
		1	C5X6.7	6'-8"	m10	A36



SHOP NOTE:
ALL MATERIAL IS PLAIN, ANY CUTS OR COPEs OTHER THAN SQUARE CUTS ARE FOR DRAFTING REFERENCE ONLY. MARK ASSEMBY & SUB MARKS FOR SHIPPING

APPROVER / CONTRACTOR NOTE:
OVERALL DIMENSIONS ARE FOR REFERENCE TO REQUEST VERIFICATION OF SUFFICIENT MATERIAL FOR FIELD TRIM & WELDING ROOF MEMBERS REINFORCING HVAC DUCTS & EQUIPMENT, SEE PLANS FOR ASSY MARK.

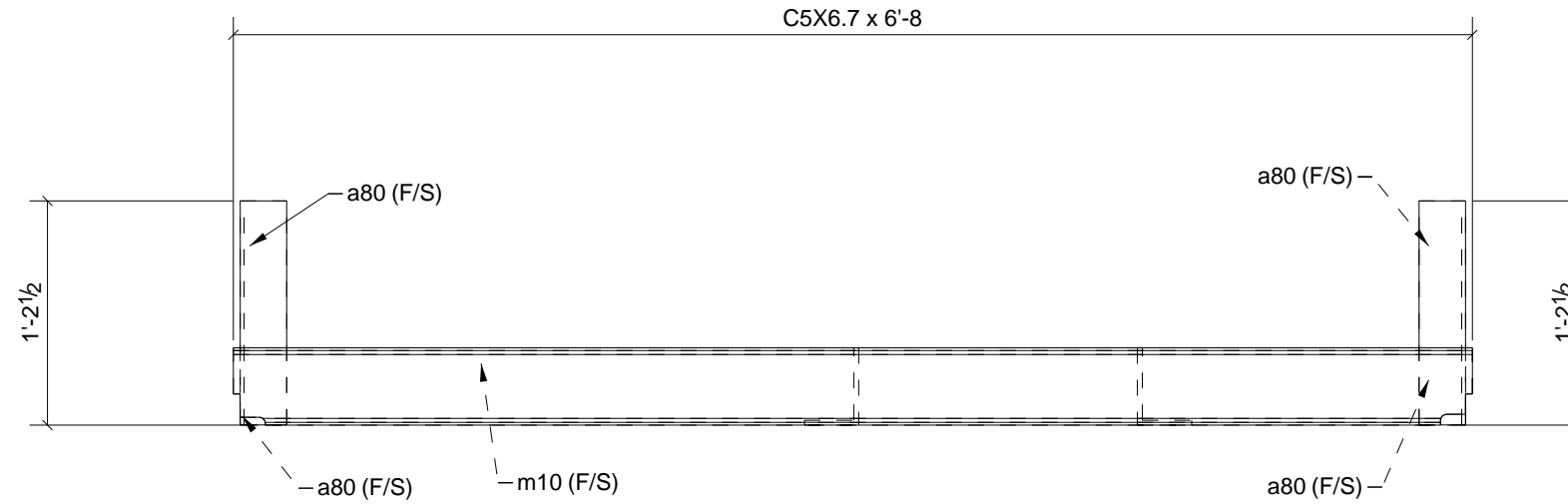
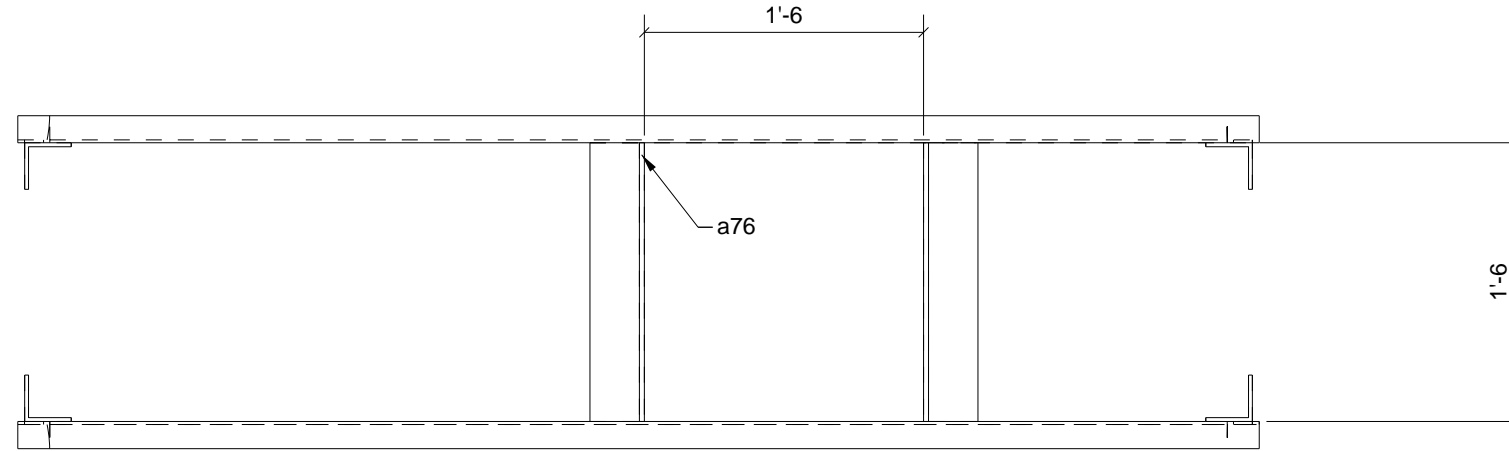
ONE - ROOF FRAME - 27M47

PHASE				
1	2	3	4	5
0	1	0	0	0

A	For Approval	06/18/10	TMc	TAN
REV.	DESCRIPTION	DATE	DWN	CHK
GENERAL NOTES				JOB USE
MATERIAL: A992 / A36	ELECTRODES: E70XX LH	REF. DRG.	SHOP	
HOLES: 13/16 DIA. U/N	CONN'S.: -	APPROVAL		
SURFACE PREP. SSPC-SP-2 AND PAINT: GREY PRIMER DEVOE NA-195 (U.N.)				
DESCRIPTION: ROOF FRAME				
PROJECT NAME Ross Middle School Addition/Remodel LOCATION Ross Local School District - Hamilton, O				
CONTRACTOR Endeavor				
Avenue Fabricating Inc. 1281 Clough Pike Batavia, OH 45103 (513) 752-1911			DRAWN BY	DATE
			TMc	06/18/2010
			CHKD. BY	DATE
			TAN	
JOB No.	DRG. No.	REV.		
10-11	27M47	1		

BILL OF MATERIAL

SHIP	MARK	NO PCS	DESCRIPTION	LENGTH	PIECE MARK	REMARKS
1	27M47	1	C5X6.7	6'-8"		SQ-2 A36
		2	L5X3-1/2X5/16	2'-4"	a71	A36
		4	L3X3X1/4	1'-4 1/2"	a79	A36
		1	C5X6.7	6'-8"	m10	A36



SHOP NOTE:
 ALL MATERIAL IS PLAIN, ANY CUTS OR COPEs OTHER THAN SQUARE CUTS ARE FOR DRAFTING REFERENCE ONLY. MARK ASSEMBY & SUB MARKS FOR SHIPPING

APPROVER / CONTRACTOR NOTE:
 OVERALL DIMENSIONS ARE FOR REFERENCE TO REQUEST VERIFICATION OF SUFFICIENT MATERIAL FOR FIELD TRIM & WELDING ROOF MEMBERS REINFORCING HVAC DUCTS & EQUIPMENT, SEE PLANS FOR ASSY MARK.

ONE - ROOF FRAME - 27M48

PHASE				
1	2	3	4	5
0	1	0	0	0

A	For Approval	06/18/10	TMc	TAN
REV.	DESCRIPTION	DATE	DWN	CHK

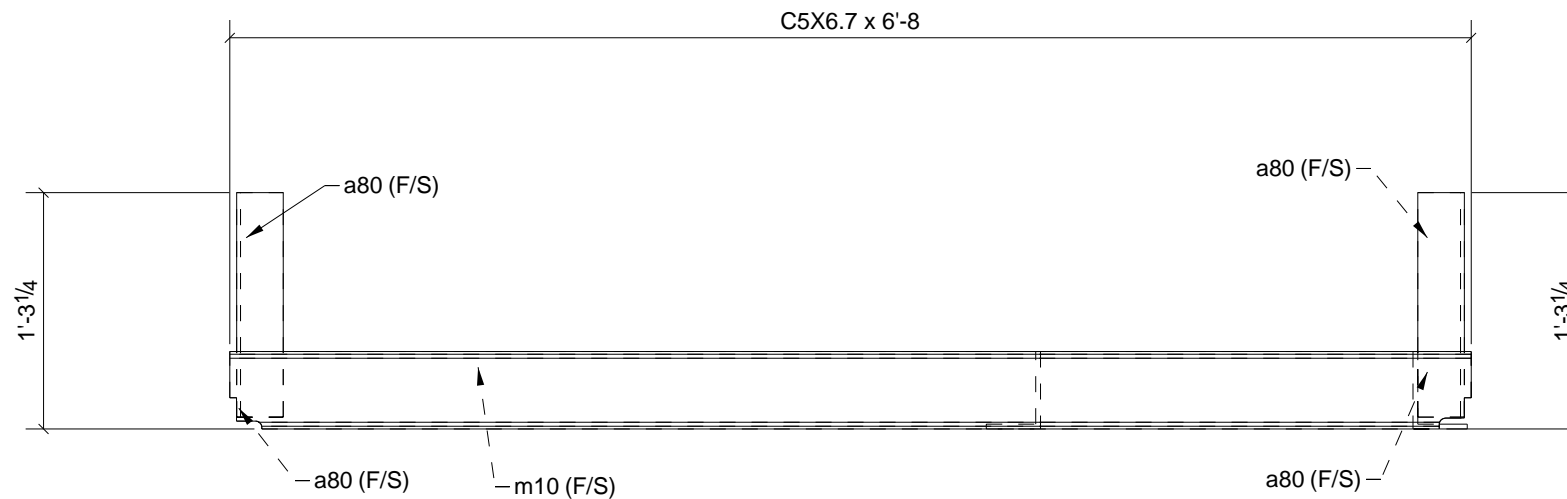
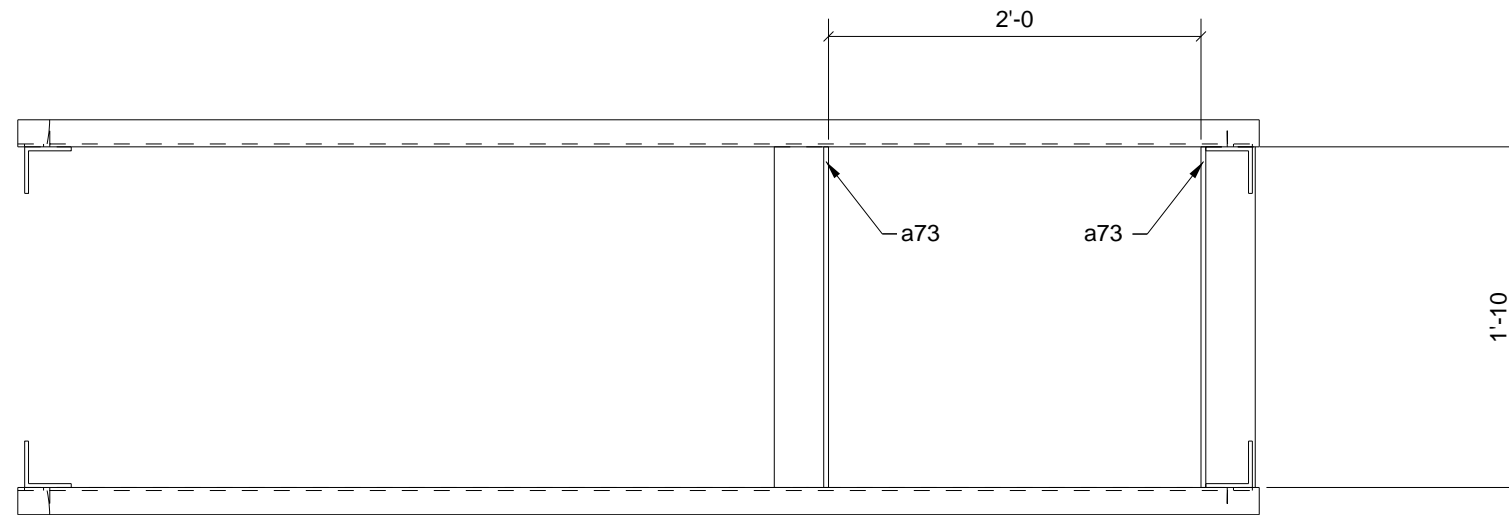
GENERAL NOTES			JOB USE
MATERIAL: A992 / A36	ELECTRODES: E70XX LH	REF. DRG.	
HOLES: 13/16 DIA. U/N	CONN'S.: -		SHOP
SURFACE PREP. SSPC-SP-2 AND PAINT: GREY PRIMER DEVOE NA-195 (U.N.)			APPROVAL

DESCRIPTION:	ROOF FRAME
PROJECT NAME	Ross Middle School Addition/Remodel
LOCATION	Ross Local School District - Hamilton, O
CONTRACTOR	Endeavor

BILL OF MATERIAL						
SHIP	MARK	NO PCS	DESCRIPTION	LENGTH	PIECE MARK	REMARKS
1	27M48	1	C5X6.7	6'-8"		SQ-2 A36
		2	L5X3-1/2X5/16	1'-6"	a76	A36
		4	L3X3X1/4	1'-2 1/2"	a80	A36
		1	C5X6.7	6'-8"	m10	A36

Avenue Fabricating Inc.
 1281 Clough Pike
 Batavia, OH 45103
 (513) 752-1911

DRAWN BY	TMc	DATE	06/18/2010
CHKD. BY	TAN	DATE	
JOB No.	10-11	DRG. No.	27M48
		REV.	1



SHOP NOTE:
 ALL MATERIAL IS PLAIN, ANY CUTS OR
 COPEs OTHER THAN SQUARE CUTS ARE
 FOR DRAFTING REFERENCE ONLY. MARK
 ASSEMBLY & SUB MARKS FOR SHIPPING

APPROVER / CONTRACTOR NOTE:
 OVERALL DIMENSIONS ARE FOR REFER-
 ENCE TO REQUEST VERIFICATION OF
 SUFFICIENT MATERIAL FOR FIELD TRIM &
 WELDING ROOF MEMBERS REINFORCING
 HVAC DUCTS & EQUIPMENT, SEE PLANS
 FOR ASSY MARK.

ONE - ROOF FRAME - 27M49

PHASE				
1	2	3	4	5
0	1	0	0	0

A	For Approval	06/18/10	TMc	TAN
REV.	DESCRIPTION	DATE	DWN	CHK
GENERAL NOTES			JOB USE	
MATERIAL: A992 / A36	ELECTRODES: E70XX LH	REF. DRG.		
HOLES: 13/16 DIA. U/N	CONN'S.: -	SHOP		
SURFACE PREP. SSPC-SP-2 AND PAINT: GREY PRIMER DEVOE NA-195 (U.N.)		APPROVAL		
DESCRIPTION: ROOF FRAME				
PROJECT NAME LOCATION: Ross Middle School Addition/Remodel Ross Local School District - Hamilton, O				
CONTRACTOR: Endeavor				
Avenue Fabricating Inc. 1281 Clough Pike Batavia, OH 45103 (513) 752-1911			DRAWN BY: TMc	
			DATE: 06/18/2010	
			CHKD. BY: TAN	
			DATE:	
JOB No. 10-11		DRG. No. 27M49		REV. 1

BILL OF MATERIAL

SHIP	MARK	NO PCS	DESCRIPTION	LENGTH	PIECE MARK	REMARKS
1	27M49	1	C5X6.7	6'-8"		SQ-2 A36
		2	L5X3-1/2X5/16	1'-10"	a73	A36
		4	L3X3X1/4	1'-2 1/2"	a80	A36
		1	C5X6.7	6'-8"	m10	A36



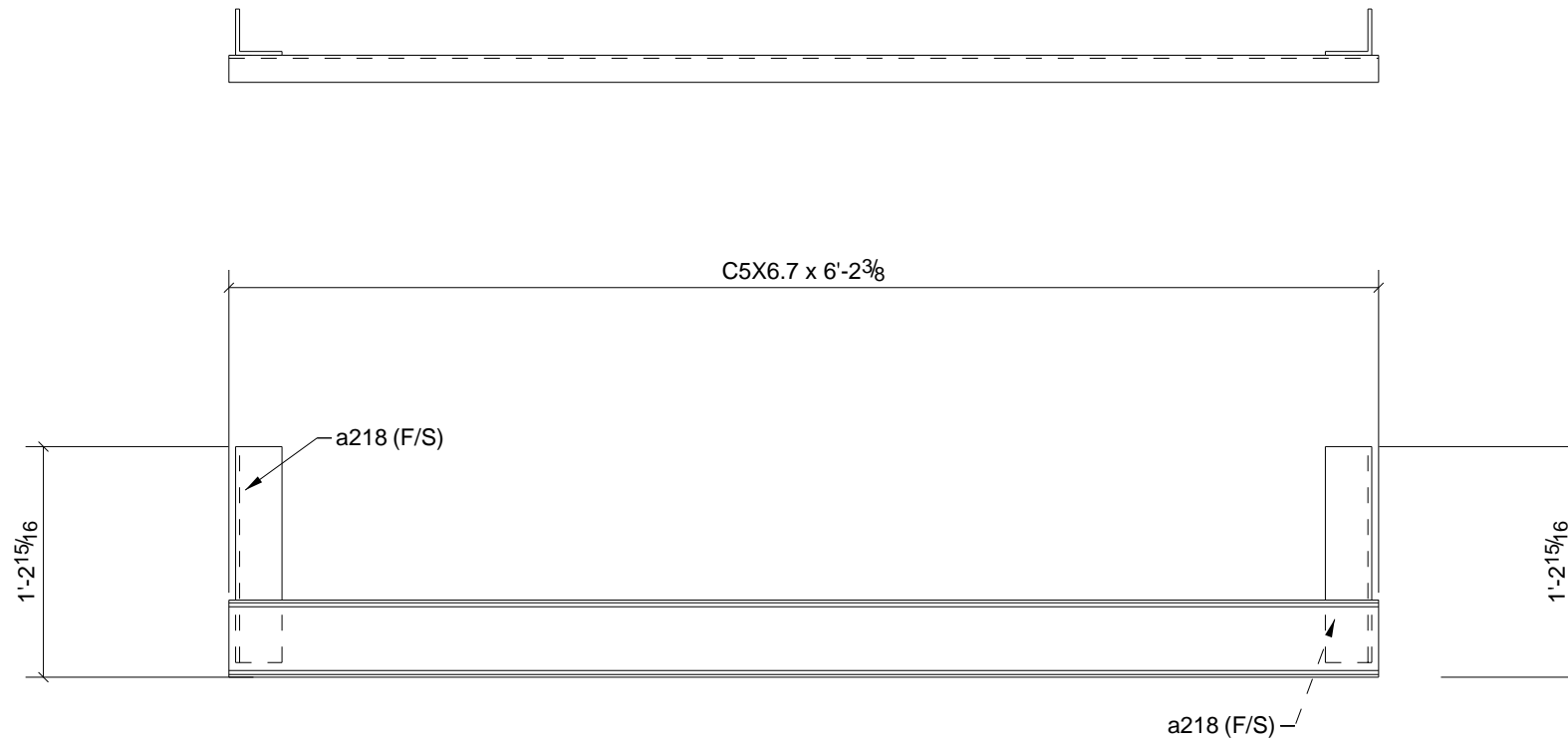
ONE - PLATE - 27M5

PHASE				
1	2	3	4	5
0	1	0	0	0

A	For Approval	06/18/10	TMc	TAN
REV.	DESCRIPTION	DATE	DWN	CHK
GENERAL NOTES			JOB USE	
MATERIAL: A992 / A36	ELECTRODES: E70XX LH	REF. DRG.	SHOP	
HOLES: 13/16 DIA. U/N	CONN'S.: -		APPROVAL	
SURFACE PREP. SSPC-SP-2 AND PAINT: GREY PRIMER DEVOE NA-195 (U.N.)				
DESCRIPTION: PLATE				
PROJECT NAME Ross Middle School Addition/Remodel LOCATION Ross Local School District - Hamilton, O				
CONTRACTOR Endeavor				
		Avenue Fabricating Inc. 1281 Clough Pike Batavia, OH 45103 (513) 752-1911		DRAWN BY TMc
				DATE 06/18/2010
		CHKD. BY TAN		DATE
		JOB No. 10-11		DRG. No. 27M5
				REV. 1

BILL OF MATERIAL

SHIP	MARK	NO PCS	DESCRIPTION	LENGTH	PIECE MARK	REMARKS
1	27M5	1	PL1/4"X24"	4'-3"		SQ-2 A36



SHOP NOTE:
 ALL MATERIAL IS PLAIN. ANY CUTS OR
 COPEs OTHER THAN SQUARE CUTS ARE
 FOR DRAFTING REFERENCE ONLY. MARK
 ASSEMBLY & SUB MARKS FOR SHIPPING

APPROVER / CONTRACTOR NOTE:
 OVERALL DIMENSIONS ARE FOR REFER-
 ENCE TO REQUEST VERIFICATION OF
 SUFFICIENT MATERIAL FOR FIELD TRIM &
 WELDING ROOF MEMBERS REINFORCING
 HVAC DUCTS & EQUIPMENT, SEE PLANS
 FOR ASSY MARK.

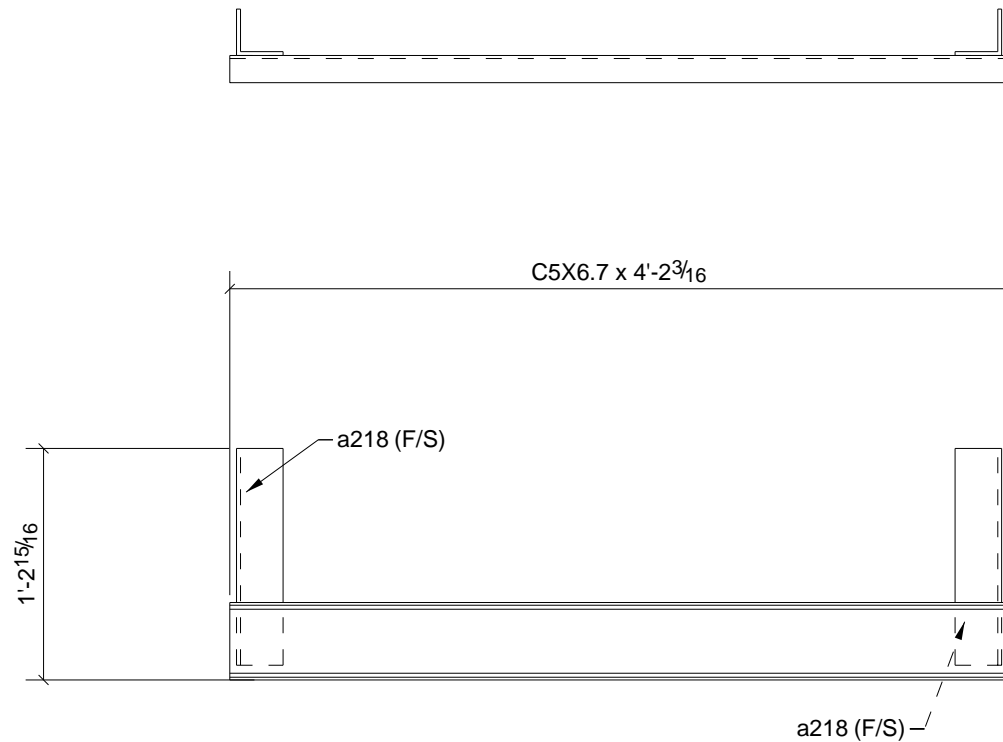
2 - ROOF FRAMES - 27M50

PHASE				
1	2	3	4	5
0	2	0	0	0

A	For Approval	06/18/10	TMc	TAN
REV.	DESCRIPTION	DATE	DWN	CHK
GENERAL NOTES			JOB USE	
MATERIAL: A992 / A36	ELECTRODES: E70XX LH	REF. DRG.	SHOP	
HOLES: 13/16 DIA. U/N	CONN'S.: -		APPROVAL	
SURFACE PREP. SSPC-SP-2 AND PAINT: GREY PRIMER DEVOE NA-195 (U.N.)				
DESCRIPTION: ROOF FRAME				
PROJECT NAME Ross Middle School Addition/Remodel LOCATION Ross Local School District - Hamilton, O				
CONTRACTOR Endeavor				
Avenue Fabricating Inc. 1281 Clough Pike Batavia, OH 45103 (513) 752-1911			DRAWN BY TMc	DATE 06/18/2010
			CHKD. BY TAN	DATE
			JOB No. 10-11	DRG. No. 27M50
				REV. 1

BILL OF MATERIAL

SHIP	MARK	NO PCS	DESCRIPTION	LENGTH	PIECE MARK	REMARKS
2	27M50	2	C5X6.7	6'-2 3/8"		SQ-2 A36
		4	L3X3X1/4	1'-2"	a218	A36



SHOP NOTE:
 ALL MATERIAL IS PLAIN, ANY CUTS OR
 COPEs OTHER THAN SQUARE CUTS ARE
 FOR DRAFTING REFERENCE ONLY. MARK
 ASSEMBLY & SUB MARKS FOR SHIPPING

APPROVER / CONTRACTOR NOTE:
 OVERALL DIMENSIONS ARE FOR REFER-
 ENCE TO REQUEST VERIFICATION OF
 SUFFICIENT MATERIAL FOR FIELD TRIM &
 WELDING ROOF MEMBERS REINFORCING
 HVAC DUCTS & EQUIPMENT, SEE PLANS
 FOR ASSY MARK.

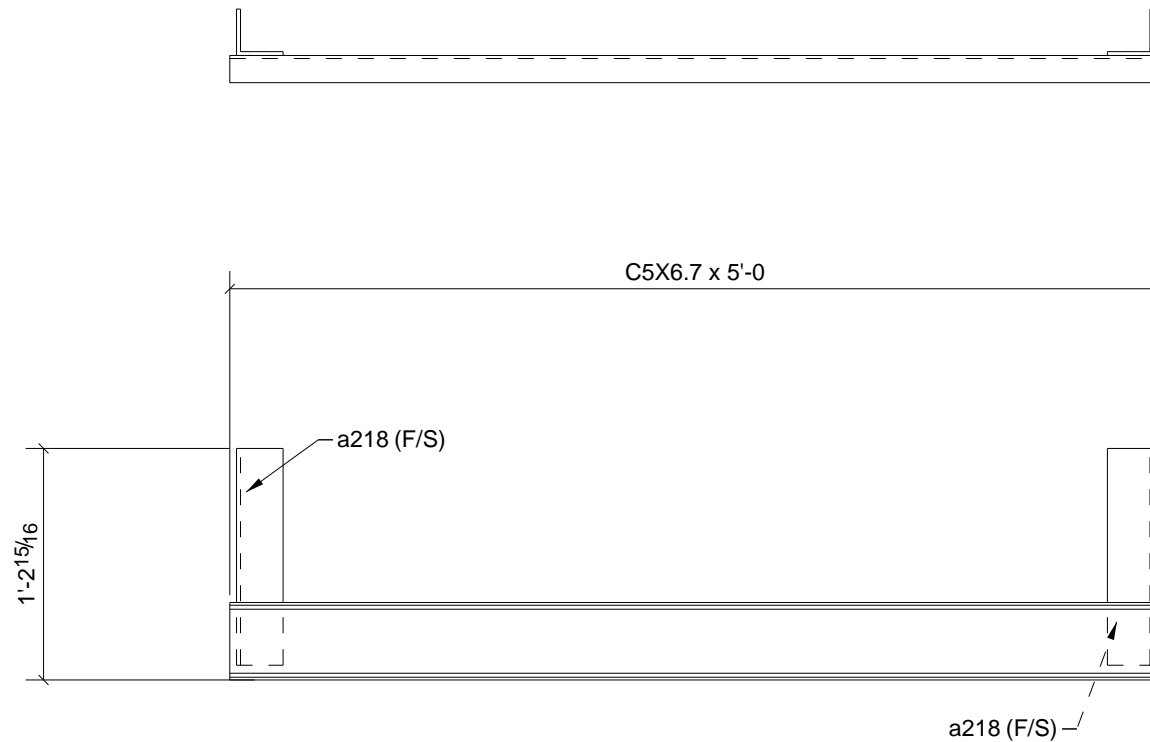
PHASE				
1	2	3	4	5
0	2	0	0	0

2 - ROOF FRAMES - 27M51

A	For Approval	06/18/10	TMc	TAN
REV.	DESCRIPTION	DATE	DWN	CHK
GENERAL NOTES			JOB USE	
MATERIAL: A992 / A36	ELECTRODES: E70XX LH	REF. DRG.	SHOP	
HOLES: 13/16 DIA. U/N	CONN'S.: -		APPROVAL	
SURFACE PREP. SSPC-SP-2 AND PAINT: GREY PRIMER DEVOE NA-195 (U.N.)				
DESCRIPTION: ROOF FRAME				
PROJECT NAME Ross Middle School Addition/Remodel LOCATION Ross Local School District - Hamilton, O				
CONTRACTOR Endeavor				
Avenue Fabricating Inc. 1281 Clough Pike Batavia, OH 45103 (513) 752-1911			DRAWN BY	DATE
			TMc	06/18/2010
			CHKD. BY	DATE
			TAN	
JOB No.	DRG. No.	REV.		
10-11	27M51	1		

BILL OF MATERIAL

SHIP	MARK	NO PCS	DESCRIPTION	LENGTH	PIECE MARK	REMARKS
2	27M51	2	C5X6.7	4'-2 3/16"		SQ-2 A36
		4	L3X3X1/4	1'-2"	a218	A36



SHOP NOTE:
 ALL MATERIAL IS PLAIN, ANY CUTS OR
 COPEs OTHER THAN SQUARE CUTS ARE
 FOR DRAFTING REFERENCE ONLY. MARK
 ASSEMBLY & SUB MARKS FOR SHIPPING

APPROVER / CONTRACTOR NOTE:
 OVERALL DIMENSIONS ARE FOR REFER-
 ENCE TO REQUEST VERIFICATION OF
 SUFFICIENT MATERIAL FOR FIELD TRIM &
 WELDING ROOF MEMBERS REINFORCING
 HVAC DUCTS & EQUIPMENT, SEE PLANS
 FOR ASSY MARK.

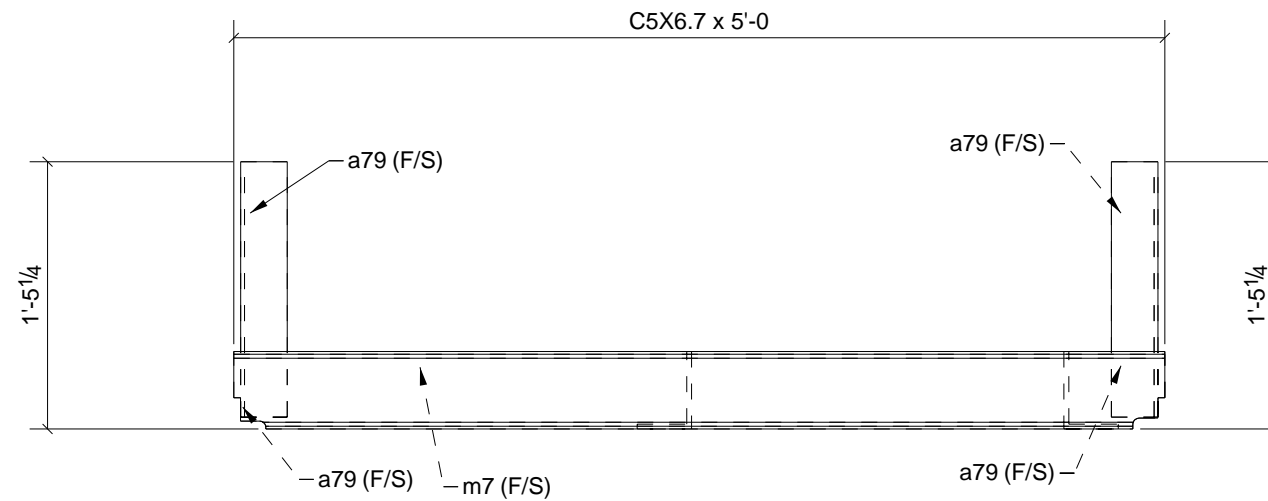
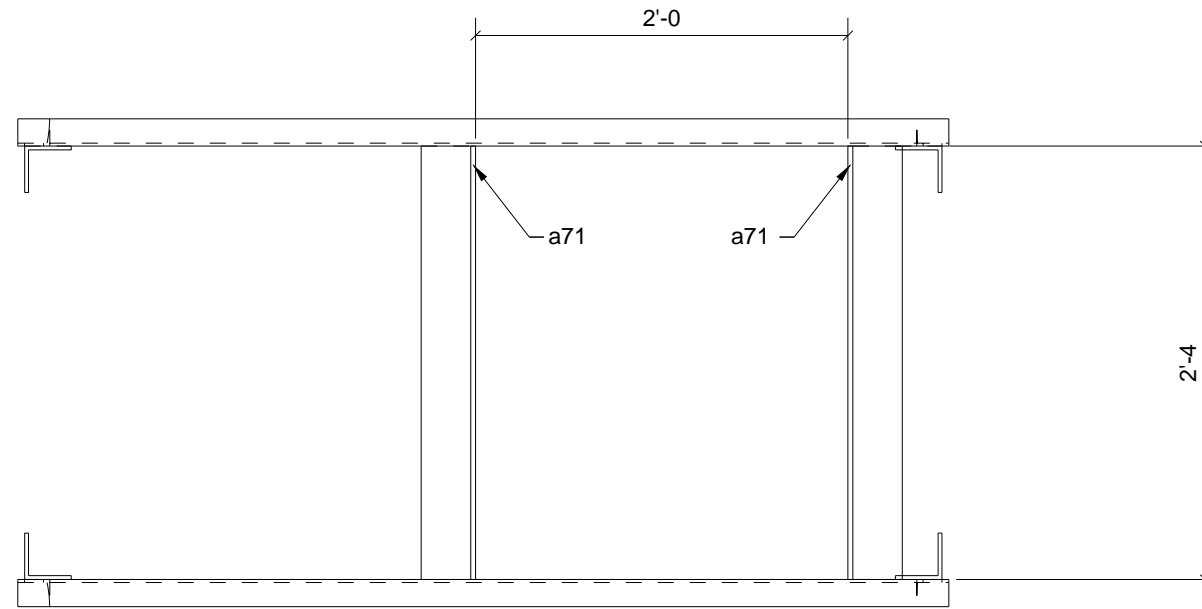
2 - ROOF FRAMES - 27M52

PHASE				
1	2	3	4	5
0	2	0	0	0

A	For Approval	06/18/10	TMc	TAN
REV.	DESCRIPTION	DATE	DWN	CHK
GENERAL NOTES			JOB USE	
MATERIAL: A992 / A36	ELECTRODES: E70XX LH	REF. DRG.	SHOP	
HOLES: 13/16 DIA. U/N	CONN'S.: -		APPROVAL	
SURFACE PREP. SSPC-SP-2 AND PAINT: GREY PRIMER DEVOE NA-195 (U.N.)				
DESCRIPTION: ROOF FRAME				
PROJECT NAME Ross Middle School Addition/Remodel LOCATION Ross Local School District - Hamilton, O				
CONTRACTOR Endeavor				
Avenue Fabricating Inc. 1281 Clough Pike Batavia, OH 45103 (513) 752-1911			DRAWN BY	DATE
			TMc	06/18/2010
			CHKD. BY	DATE
			TAN	
JOB No.	DRG. No.	REV.		
10-11	27M52	1		

BILL OF MATERIAL

SHIP	MARK	NO PCS	DESCRIPTION	LENGTH	PIECE MARK	REMARKS
2	27M52	2	C5X6.7	5'-0"		SQ-2 A36
		4	L3X3X1/4	1'-2"	a218	A36



SHOP NOTE:
 ALL MATERIAL IS PLAIN, ANY CUTS OR
 COPEs OTHER THAN SQUARE CUTS ARE
 FOR DRAFTING REFERENCE ONLY. MARK
 ASSEMBLY & SUB MARKS FOR SHIPPING

APPROVER / CONTRACTOR NOTE:
 OVERALL DIMENSIONS ARE FOR REFER-
 ENCE TO REQUEST VERIFICATION OF
 SUFFICIENT MATERIAL FOR FIELD TRIM &
 WELDING ROOF MEMBERS REINFORCING
 HVAC DUCTS & EQUIPMENT, SEE PLANS
 FOR ASSY MARK.

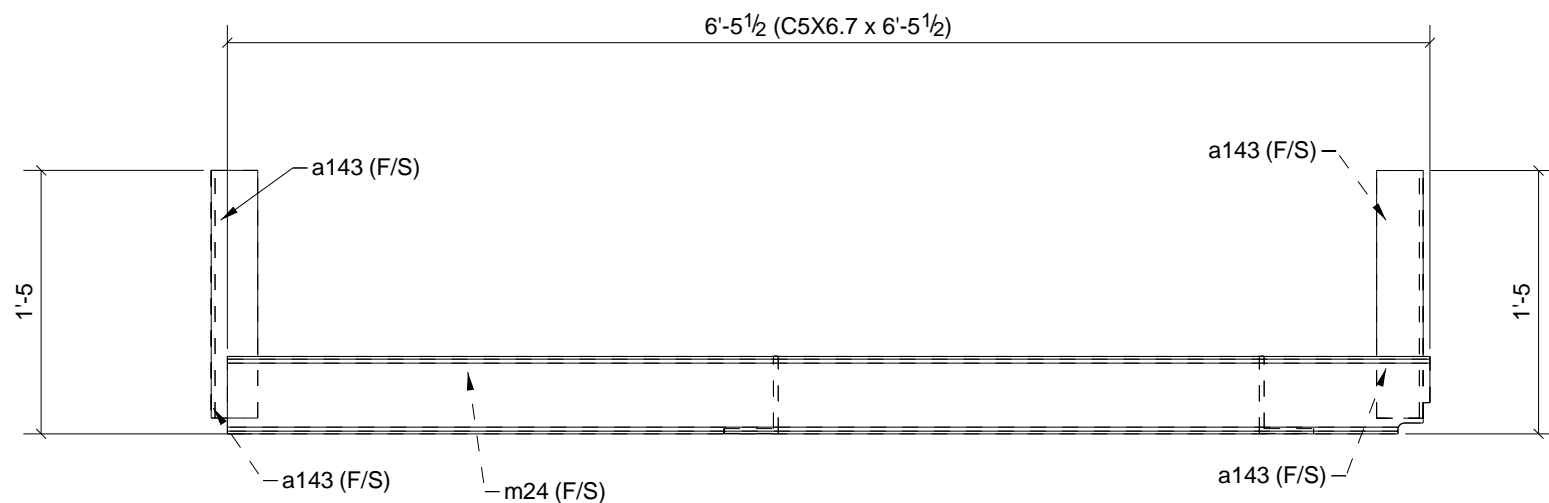
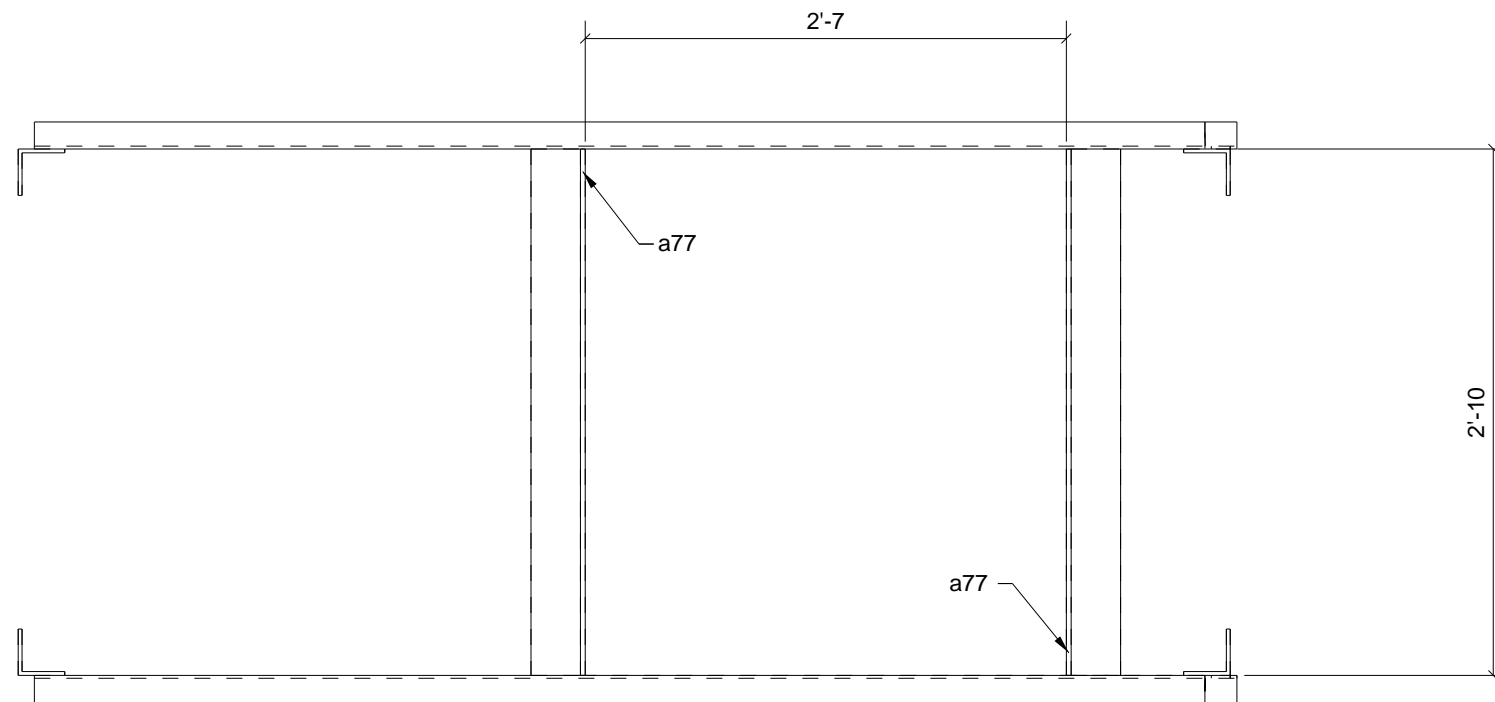
ONE - ROOF FRAME - 27M53

PHASE				
1	2	3	4	5
0	1	0	0	0

A	For Approval	06/18/10	TMc	TAN
REV.	DESCRIPTION	DATE	DWN	CHK
GENERAL NOTES			JOB USE	
MATERIAL: A992 / A36	ELECTRODES: E70XX LH	REF. DRG.		
HOLES: 13/16 DIA. U/N	CONN'S.: -	SHOP		
SURFACE PREP. SSPC-SP-2 AND PAINT: GREY PRIMER DEVOE NA-195 (U.N.)		APPROVAL		
DESCRIPTION: ROOF FRAME				
PROJECT NAME LOCATION: Ross Middle School Addition/Remodel Ross Local School District - Hamilton, O				
CONTRACTOR: Endeavor				
Avenue Fabricating Inc. 1281 Clough Pike Batavia, OH 45103 (513) 752-1911			DRAWN BY: TMc	
			DATE: 06/18/2010	
			CHKD. BY: TAN	
			DATE:	
JOB No. 10-11		DRG. No. 27M53		REV. 1

BILL OF MATERIAL

SHIP	MARK	NO PCS	DESCRIPTION	LENGTH	PIECE MARK	REMARKS
1	27M53	1	C5X6.7	5'-0"		SQ-2 A36
		2	L5X3-1/2X5/16	2'-4"	a71	A36
		4	L3X3X1/4	1'-4 1/2"	a79	A36
		1	C5X6.7	5'-0"	m7	A36



SHOP NOTE:
ALL MATERIAL IS PLAIN, ANY CUTS OR
COPEs OTHER THAN SQUARE CUTS ARE
FOR DRAFTING REFERENCE ONLY. MARK
ASSEMBLY & SUB MARKS FOR SHIPPING

APPROVER / CONTRACTOR NOTE:
OVERALL DIMENSIONS ARE FOR REFER-
ENCE TO REQUEST VERIFICATION OF
SUFFICIENT MATERIAL FOR FIELD TRIM &
WELDING ROOF MEMBERS REINFORCING
HVAC DUCTS & EQUIPMENT, SEE PLANS
FOR ASSY MARK.

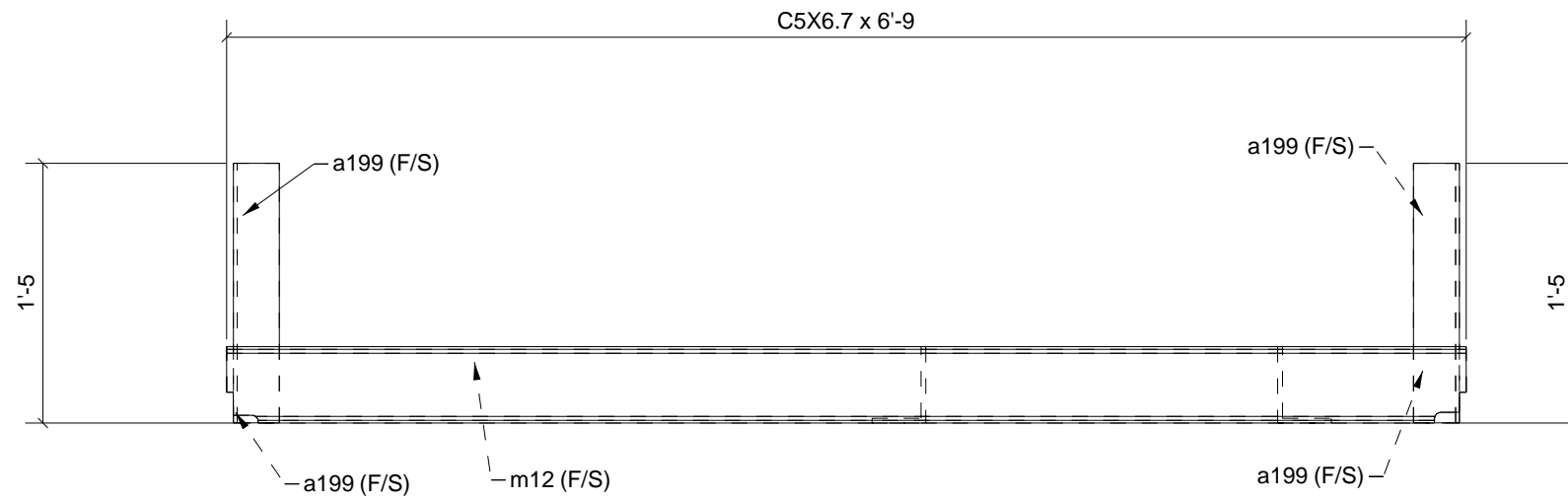
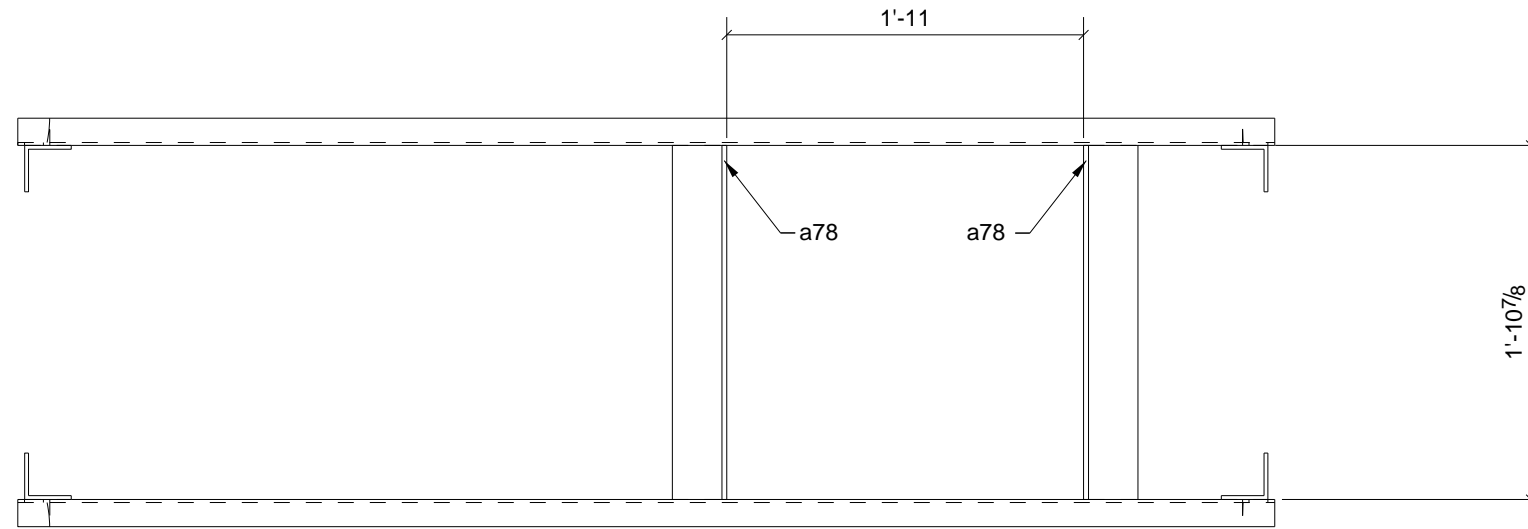
ONE - ROOF FRAME - 27M58

PHASE				
1	2	3	4	5
0	1	0	0	0

A	For Approval	06/18/10	TMc	TAN
REV.	DESCRIPTION	DATE	DWN	CHK
GENERAL NOTES				JOB USE
MATERIAL: A992 / A36		ELECTRODES: E70XX LH	REF. DRG.	
HOLES: 13/16 DIA. U/N		CONN'S.: -	SHOP	
SURFACE PREP. SSPC-SP-2		APPROVAL		
AND PAINT: GREY PRIMER DEVOE NA-195 (U.N.)				
DESCRIPTION: ROOF FRAME				
PROJECT NAME LOCATION: Ross Middle School Addition/Remodel Ross Local School District - Hamilton, O				
CONTRACTOR: Endeavor				
Avenue Fabricating Inc. 1281 Clough Pike Batavia, OH 45103 (513) 752-1911			DRAWN BY TMc	DATE 06/18/2010
			CHKD. BY TAN	DATE
			JOB No. 10-11	DRG. No. 27M58
				REV. 1

BILL OF MATERIAL

SHIP	MARK	NO PCS	DESCRIPTION	LENGTH	PIECE MARK	REMARKS
1	27M58	1	C5X6.7	6'-5 1/2"		SQ-2 A36
		2	L5X3-1/2X5/16	2'-10"	a77	A36
		4	L3X3X1/4	1'-4"	a143	A36
		1	C5X6.7	6'-5 1/2"	m24	A36



SHOP NOTE:
 ALL MATERIAL IS PLAIN, ANY CUTS OR
 COPEs OTHER THAN SQUARE CUTS ARE
 FOR DRAFTING REFERENCE ONLY. MARK
 ASSEMBY & SUB MARKS FOR SHIPPING

APPROVER / CONTRACTOR NOTE:
 OVERALL DIMENSIONS ARE FOR REFER-
 ENCE TO REQUEST VERIFICATION OF
 SUFFICIENT MATERIAL FOR FIELD TRIM &
 WELDING ROOF MEMBERS REINFORCING
 HVAC DUCTS & EQUIPMENT, SEE PLANS
 FOR ASSY MARK.

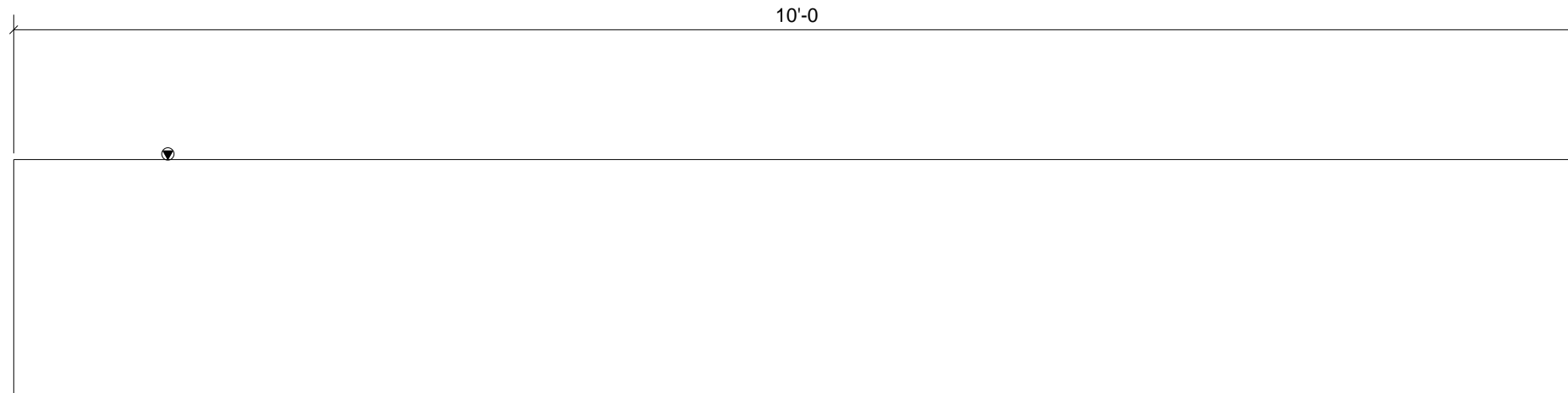
ONE - ROOF FRAME - 27M59

PHASE				
1	2	3	4	5
0	1	0	0	0

A	For Approval	06/18/10	TMc	TAN	
REV.	DESCRIPTION	DATE	DWN	CHK	
GENERAL NOTES			JOB USE		
MATERIAL: A992 / A36	ELECTRODES: E70XX LH	REF. DRG.			
HOLES: 13/16 DIA. U/N	CONN'S.: -	SHOP			
SURFACE PREP. SSPC-SP-2		APPROVAL			
AND PAINT: GREY PRIMER DEVOE NA-195 (U.N.)					
DESCRIPTION: ROOF FRAME					
PROJECT NAME Ross Middle School Addition/Remodel					
LOCATION Ross Local School District - Hamilton, O					
CONTRACTOR Endeavor					
Avenue Fabricating Inc. 1281 Clough Pike Batavia, OH 45103 (513) 752-1911			DRAWN BY		
			TMc		
			DATE		
			06/18/2010		
			CHKD. BY		
			TAN		
			DATE		
			JOB No.	DRG. No.	REV.
			10-11	27M59	1

BILL OF MATERIAL

SHIP	MARK	NO PCS	DESCRIPTION	LENGTH	PIECE MARK	REMARKS
1	27M59	1	C5X6.7	6'-9"		SQ-2 A36
		2	L5X3-1/2X5/16	1'-10 7/8"	a78	A36
		4	L3X3X1/4	1'-5"	a199	A36
		1	C5X6.7	6'-9"	m12	A36

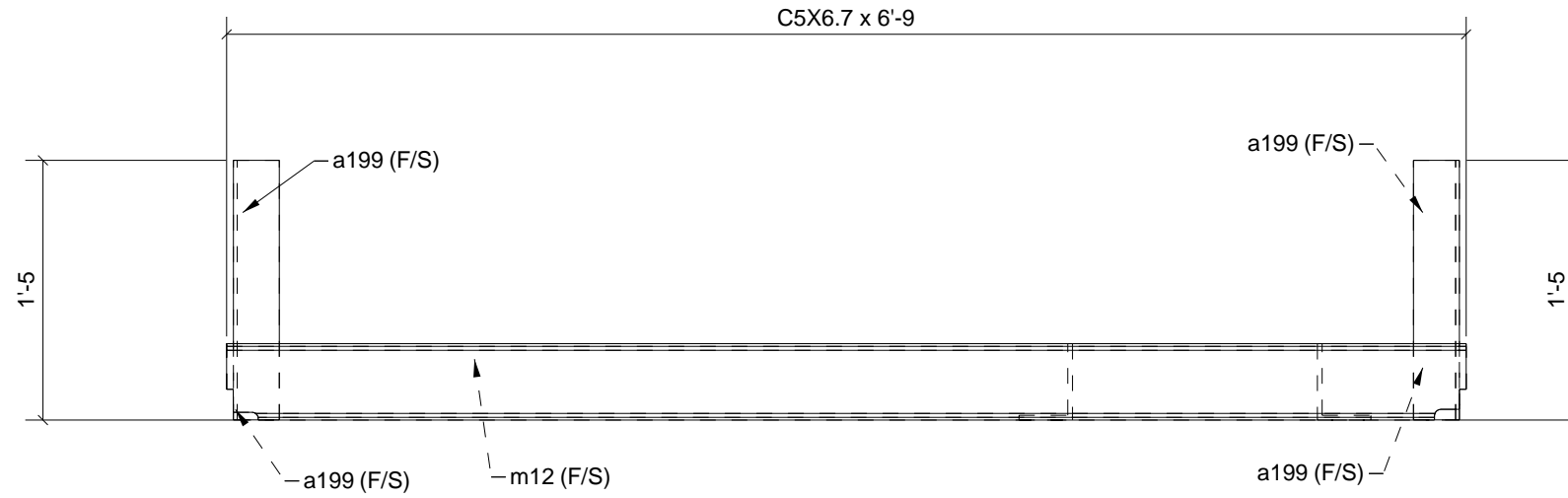
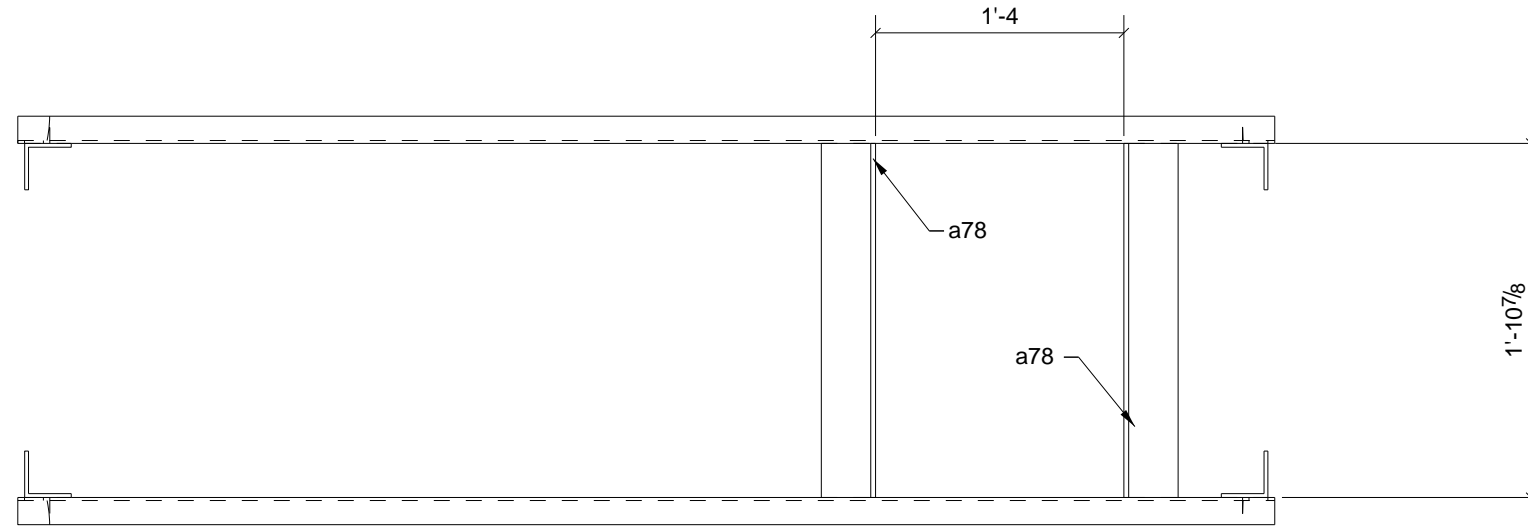


PHASE				
1	2	3	4	5
0	6	0	0	0

6 - PLATES - 27M6

BILL OF MATERIAL						
SHIP	MARK	NO PCS	DESCRIPTION	LENGTH	PIECE MARK	REMARKS
6	27M6	6	PL1/4"X18"	10'-0"		SQ-2 A36

A	For Approval	06/18/10	TMc	TAN
REV.	DESCRIPTION	DATE	DWN	CHK
GENERAL NOTES			JOB USE	
MATERIAL: A992 / A36	ELECTRODES: E70XX LH	REF. DRG.		
HOLES: 13/16 DIA. U/N	CONN'S.: -	SHOP		
SURFACE PREP. SSPC-SP-2 AND PAINT: GREY PRIMER DEVOE NA-195 (U.N.)			APPROVAL	
DESCRIPTION: PLATE				
PROJECT NAME Ross Middle School Addition/Remodel				
LOCATION Ross Local School District - Hamilton, O				
CONTRACTOR Endeavor				
Avenue Fabricating Inc. 1281 Clough Pike Batavia, OH 45103 (513) 752-1911		DRAWN BY TMc		DATE 06/18/2010
		CHKD. BY TAN		DATE
		JOB No. 10-11	DRG. No. 27M6	REV. 1



SHOP NOTE:
 ALL MATERIAL IS PLAIN. ANY CUTS OR
 COPEs OTHER THAN SQUARE CUTS ARE
 FOR DRAFTING REFERENCE ONLY. MARK
 ASSEMBLY & SUB MARKS FOR SHIPPING

APPROVER / CONTRACTOR NOTE:
 OVERALL DIMENSIONS ARE FOR REFER-
 ENCE TO REQUEST VERIFICATION OF
 SUFFICIENT MATERIAL FOR FIELD TRIM &
 WELDING ROOF MEMBERS REINFORCING
 HVAC DUCTS & EQUIPMENT, SEE PLANS
 FOR ASSY MARK.

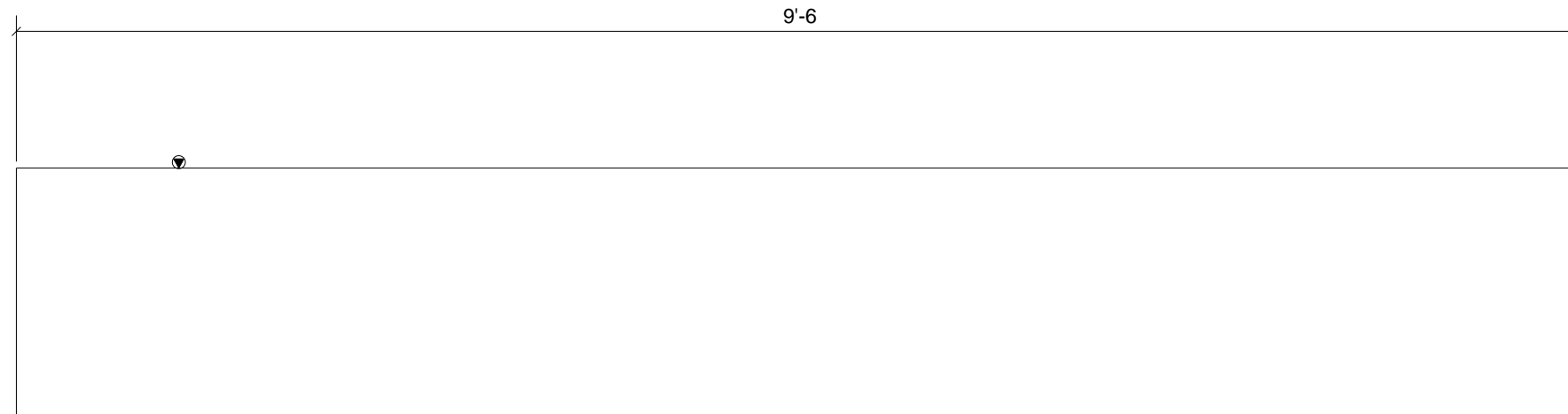
ONE - ROOF FRAME - 27M60

PHASE				
1	2	3	4	5
0	1	0	0	0

A	For Approval	06/18/10	TMc	TAN
REV.	DESCRIPTION	DATE	DWN	CHK
GENERAL NOTES			JOB USE	
MATERIAL: A992 / A36	ELECTRODES: E70XX LH	REF. DRG.		
HOLES: 13/16 DIA. U/N	CONN'S.: -	SHOP		
SURFACE PREP. SSPC-SP-2 AND PAINT: GREY PRIMER DEVOE NA-195 (U.N.)		APPROVAL		
DESCRIPTION: ROOF FRAME				
PROJECT NAME LOCATION: Ross Middle School Addition/Remodel Ross Local School District - Hamilton, O				
CONTRACTOR: Endeavor				
Avenue Fabricating Inc. 1281 Clough Pike Batavia, OH 45103 (513) 752-1911			DRAWN BY: TMc	
			DATE: 06/18/2010	
			CHKD. BY: TAN	
			DATE:	
JOB No. 10-11		DRG. No. 27M60		REV. 1

BILL OF MATERIAL

SHIP	MARK	NO PCS	DESCRIPTION	LENGTH	PIECE MARK	REMARKS
1	27M60	1	C5X6.7	6'-9"	SQ-2 A36	
		2	L5X3-1/2X5/16	1'-10 7/8"	a78	A36
		4	L3X3X1/4	1'-5"	a199	A36
		1	C5X6.7	6'-9"	m12	A36



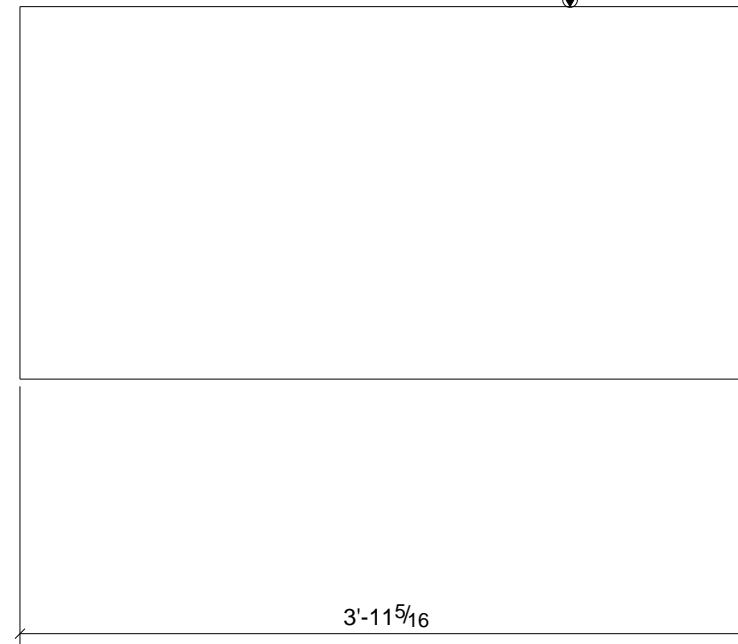
PHASE				
1	2	3	4	5
0	3	0	0	0

3 - PLATES - 27M7

BILL OF MATERIAL

SHIP	MARK	NO PCS	DESCRIPTION	LENGTH	PIECE MARK	REMARKS
3	27M7	3	PL1/4"X18"	9'-6"		SQ-2 A36

A	For Approval	06/18/10	TMc	TAN
REV.	DESCRIPTION	DATE	DWN	CHK
GENERAL NOTES			JOB USE	
MATERIAL: A992 / A36	ELECTRODES: E70XX LH	REF. DRG.	SHOP	
HOLES: 13/16 DIA. U/N	CONN'S.: -		APPROVAL	
SURFACE PREP. SSPC-SP-2 AND PAINT: GREY PRIMER DEVOE NA-195 (U.N.)				
DESCRIPTION: PLATE				
PROJECT NAME Ross Middle School Addition/Remodel LOCATION Ross Local School District - Hamilton, O				
CONTRACTOR Endeavor				
		Avenue Fabricating Inc. 1281 Clough Pike Batavia, OH 45103 (513) 752-1911		
		DRAWN BY TMc	DATE 06/18/2010	
		CHKD. BY TAN	DATE	
		JOB No. 10-11	DRG. No. 27M7	REV. 1



4 - PLATES - 27M8

PHASE				
1	2	3	4	5
0	4	0	0	0

A	For Approval	06/18/10	TMc	TAN
REV.	DESCRIPTION	DATE	DWN	CHK
GENERAL NOTES		JOB USE		
MATERIAL: A992 / A36	ELECTRODES: E70XX LH	REF. DRG.		
HOLES: 13/16 DIA. U/N	CONN'S.: -	SHOP		
SURFACE PREP. SSPC-SP-2 AND PAINT: GREY PRIMER DEVOE NA-195 (U.N.)		APPROVAL		
DESCRIPTION: PLATE				
PROJECT NAME Ross Middle School Addition/Remodel LOCATION Ross Local School District - Hamilton, O				
CONTRACTOR Endeavor				
		DRAWN BY TMc		DATE 06/18/2010
		CHKD. BY TAN		DATE
		JOB No. 10-11	DRG. No. 27M8	REV. 1

BILL OF MATERIAL

SHIP	MARK	NO PCS	DESCRIPTION	LENGTH	PIECE MARK	REMARKS
4	27M8	4	PL1/4"X24"	3'-11 5/16"		SQ-2 A36

Avenue Fabricating Inc.
1281 Clough Pike
Batavia, OH 45103
(513) 752-1911



3 - PLATES - 27M9

PHASE				
1	2	3	4	5
0	3	0	0	0

A	For Approval	06/18/10	TMc	TAN
REV.	DESCRIPTION	DATE	DWN	CHK
GENERAL NOTES		JOB USE		
MATERIAL: A992 / A36	ELECTRODES: E70XX LH	REF. DRG.		
HOLES: 13/16 DIA. U/N	CONN'S.: -	SHOP		
SURFACE PREP. SSPC-SP-2 AND PAINT: GREY PRIMER DEVOE NA-195 (U.N.)		APPROVAL		
DESCRIPTION: PLATE				
PROJECT NAME Ross Middle School Addition/Remodel LOCATION Ross Local School District - Hamilton, O				
CONTRACTOR Endeavor				
		DRAWN BY TMc		DATE 06/18/2010
		CHKD. BY TAN		DATE
		JOB No. 10-11	DRG. No. 27M9	REV. 1

BILL OF MATERIAL

SHIP	MARK	NO PCS	DESCRIPTION	LENGTH	PIECE MARK	REMARKS
3	27M9	3	PL1/4"X22"	3'-11"		SQ-2 A36

Avenue Fabricating Inc.
 1281 Clough Pike
 Batavia, OH 45103
 (513) 752-1911