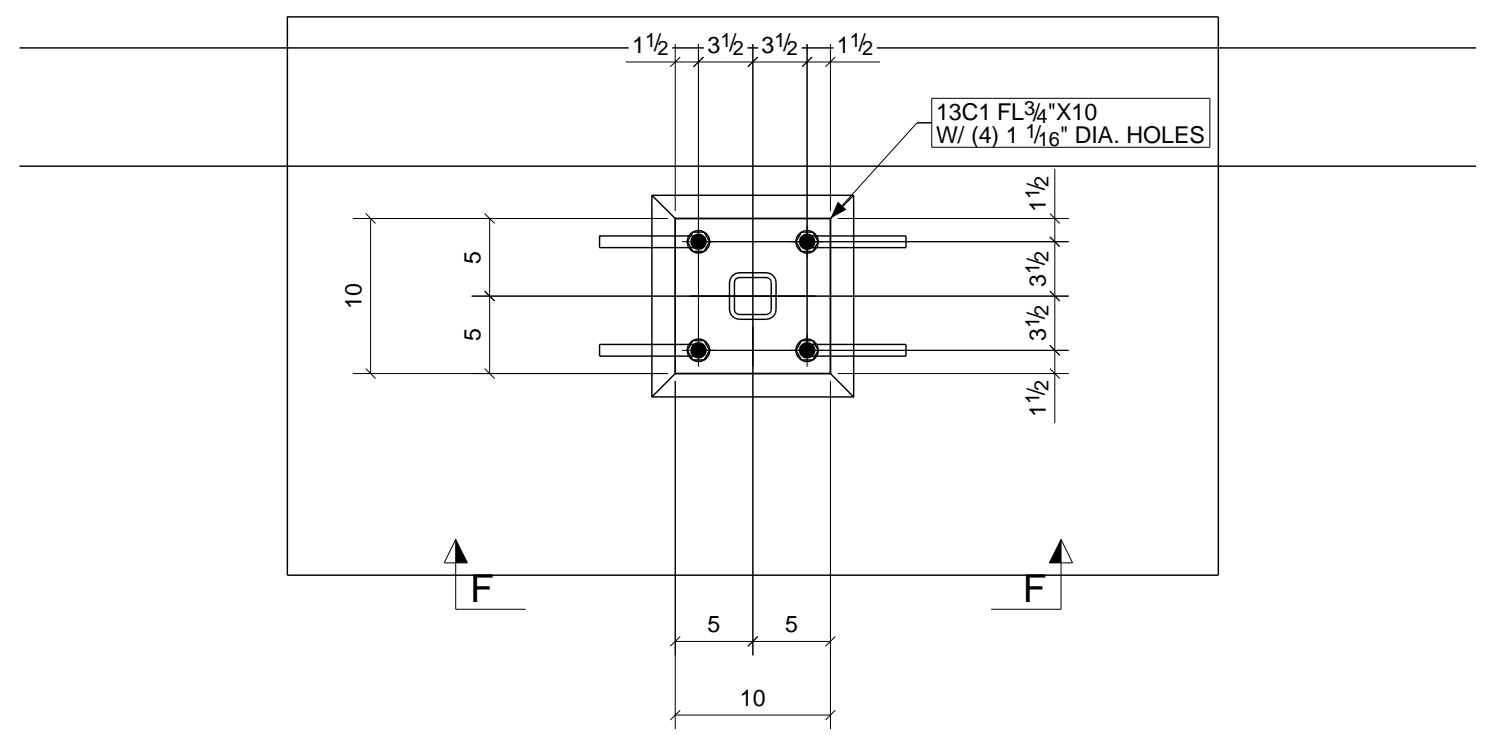
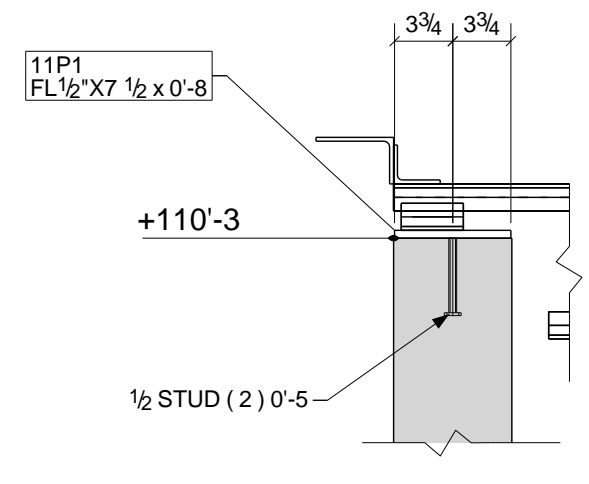


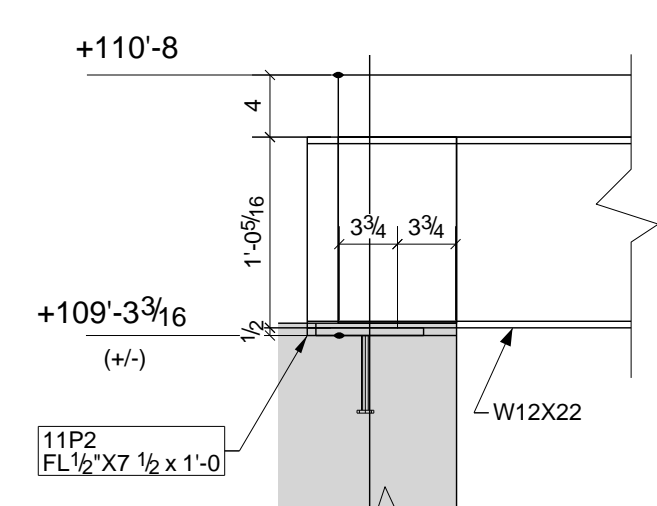
SECTION ~ F - F



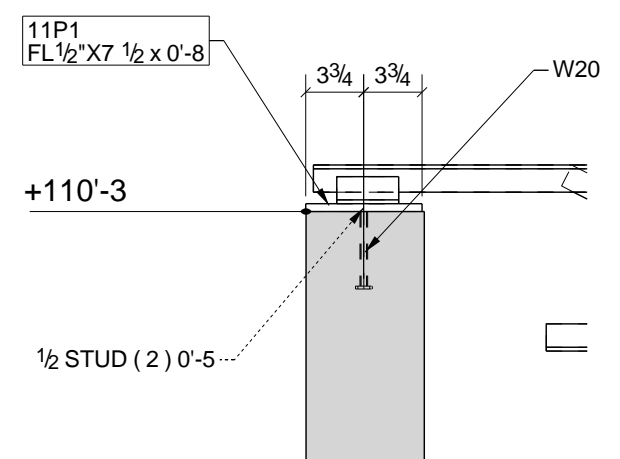
DETAIL ~ A



SECTION ~ B - B



SECTION ~ C - C



SECTION ~ D - D

LINTEL SCHEDULE				
MARK	SHAPES	SIZES	MIN. BRG. (ACQ. / W/PL)	REMARKS
L-1	EQ + EQ	W8x10 w/PL 5/16x7	8"	VERIFY EXIST. WALL WIDTH
L-2	EQ + EQ	W8x18 w/PL 3/8x13	8"	VERIFY EXIST. WALL WIDTH
L-3	L	(2) L3-1/2x3-1/2x5/16 (3) L3-1/2x3-1/2x5/16 W/BAR 5/16x1-1/2	8"	
L-4	L	(3) L3-1/2x3-1/2x5/16	8"	VERIFY ANGLE PER 4" WYTHE OF EXIST. WALL
L-5	L	(2) L3-1/2x3-1/2x5/16	8"	
L-6	4" x 8"	W8x18 w/PL 3/8x13	8"	
L-7	L	(3) L6x3-1/2x 5/16	8"	

NOTE: ALL EXTERIOR WALL LINTELS ARE GALVANIZED

APPROVAL AUTHORITY: VERIFICATION OF DIMENSIONS, DETAILS, ETC ARE REQUESTED WHERE INDICATED. IF EACH VERIFICATION IS NOT NOTED OTHERWISE, IT WILL BE ASSUMED TO BE CORRECT AS SHOWN.

NOTE: LINTEL SHOPS MARKED HOLD REQUIRE LENGTH OR M.O., PLEASE PROVIDE

This project shall be executed in accordance with Section 7 of the ABC Code of Standard Practice, which includes 7.14 Correction of Errors. That states the following:  
The correction of minor errors by reworking existing, grinding, welding or cutting, and the drawing of alterations into the work shall not, shall be continued to be corrected without exception. Errors that cannot be corrected under the foregoing proviso, or that require major changes in member or connection configuration, shall be promptly reported to the architect or representative for design and construction, and the architect or representative shall advise the contractor of the error and the architect shall be the most efficient and economical method of correction to be used by others.  
All steel welds to be made with E70XX low hydrogen electrodes.

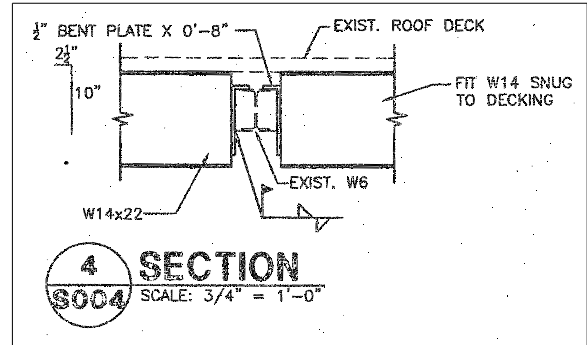
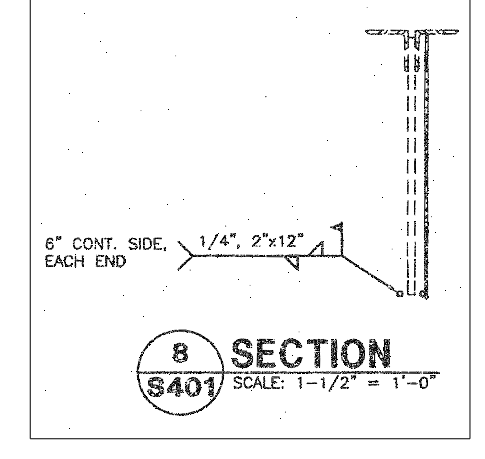
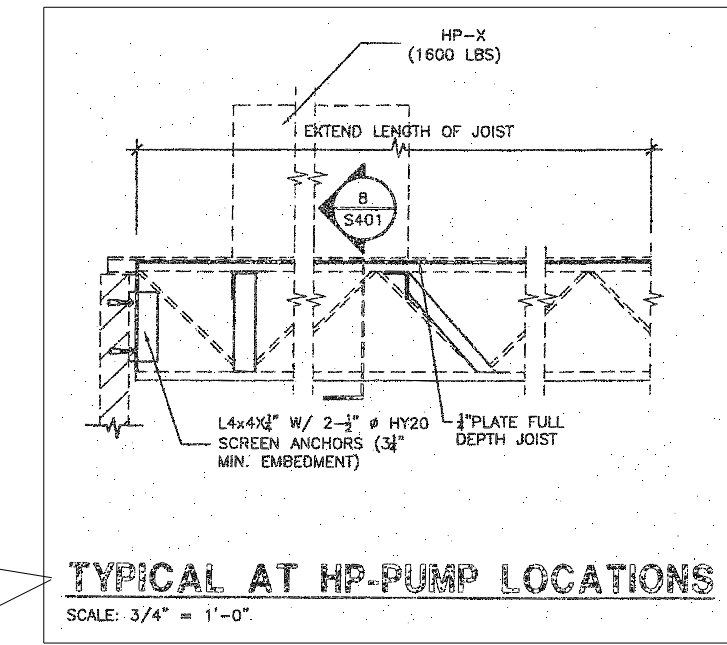
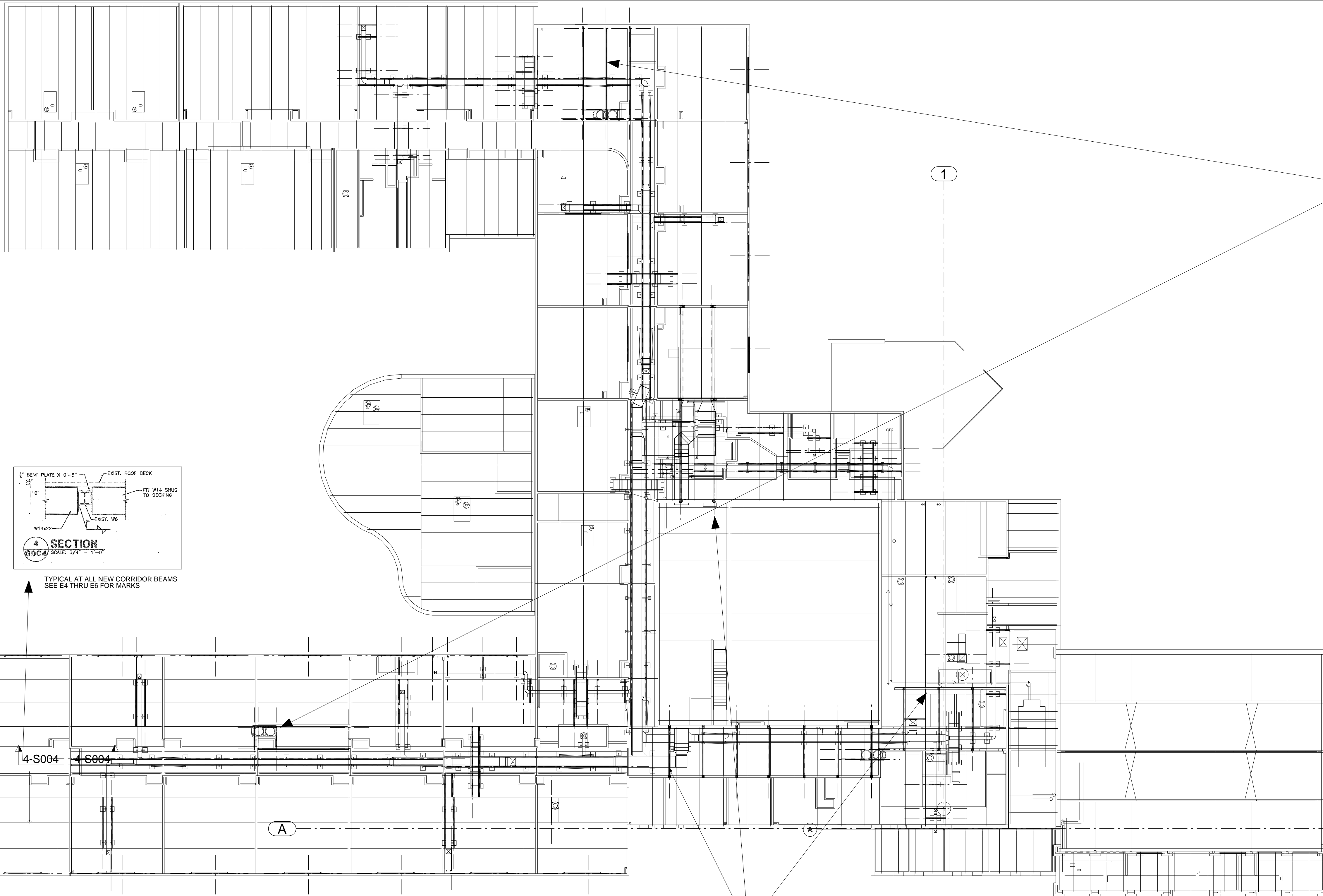
MATERIAL NOTES:  
W-SHAPES, CHANNELS: ASTM A992  
ANGLES, M-SHAPES: ASTM A36  
PLATE & BAR: ASTM A36  
HSS: ASTM A500, GRB

LINTEL & EMBED PLAN

0	For Fabrication F&F	6/11/10	TMc	TAN/TH
A	For Approval	05/28/10	TMc	-
REV.	DESCRIPTION	DATE	DWN	CHK
<b>GENERAL NOTES</b>				
MATERIAL: A992 / A36 U/N ELECTRODES: E70XX LH REF. DRG.				
HOLES: 13/16 DIA. U/N CONNS: - SHOP				
SURFACE PREP. AND PAINT: APPROVAL				
<b>SPPC-SP-2 GREY PRIMER DEVOE NA-195 (U.N.)</b>				
DESCRIPTION: PLAN @ ELEV. 110'-4 (+/-) AREA C				
PROJ. NAME	Elda Elementary School Addition/Remodel	DRAWN BY	TMc	
LOCATION	Elda Local School District - Hamilton, OH	DATE	05/24/2010	
CONTRACTOR	Endeavor	ARCH./ENG.	SHP	
Avenue Fabricating Inc. 1281 Clough Pike Batavia, OH 45103 (513) 752-1911				
DATE	06/10/2010	CHKD. BY	TAN/TH	
JOB No.	10-10E	DATE	06/10/2010	
DRG. No.	E1	REV.	0	







TYPICAL AT ALL NEW CORRIDOR BEAMS  
SEE E4 THRU E6 FOR MARKS

REFERENCE STRUCTURAL FRAMING DRAWINGS S004-S400-S401:

\*TYPICAL DUCT SUPPORT FRAME NOTE: (Applies to all Roof Framing Sheets)

DUCT SUPPORT FRAMES AND LOCATIONS ARE SHOWN DIAGRAMMATICALLY ON PLANS  
SUPPORT FRAME LOCATIONS MUST BE FIELD VERIFIED AND BE PLACED DIRECTLY ABOVE AN EXISTING OR NEW STRUCTURAL MEMBER (TYPICAL). \*

\*THE EXISTING STRUCTURE HAS BEEN ANALYZED FOR THE ADDITIONAL LOADS ASSOCIATED WITH THE NEW EQUIPMENT IN THE LOCATIONS SHOWN ON THIS PLAN. ANY DEVIATION FROM THIS LAYOUT SHALL BE BROUGHT TO THE ATTENTION OF THE STRUCTURAL ENGINEER AND RE-ANALYZED AS REQUIRED. COSTS ASSOCIATED WITH THESE CHANGES INCLUDING RE-ENGINEERING OR ADDITIONAL REINFORCING COSTS SHALL BE ABSORBED BY THE CONTRACTOR.\*

FABRICATOR TO GENERAL CONTRACTOR / APPROVER:

IT IS THE INTENT OF THESE PLANS TO SHOW ALL REQUIRED NEW FRAMING LOCATIONS AND SIZES BELOW THE ROOF DECK. THE TYPICAL CONDITIONS FOR SUPPORTING THE DUCT SUPPORT FRAMES ON NEW AND OR EXISTING STRUCTURE ARE DEPICTED FROM THE DESIGN DRAWINGS. MINOR VARIATIONS ARE TO BE EXPECTED.

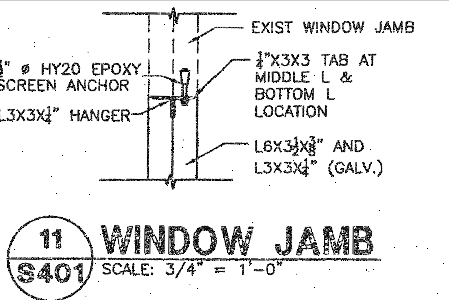
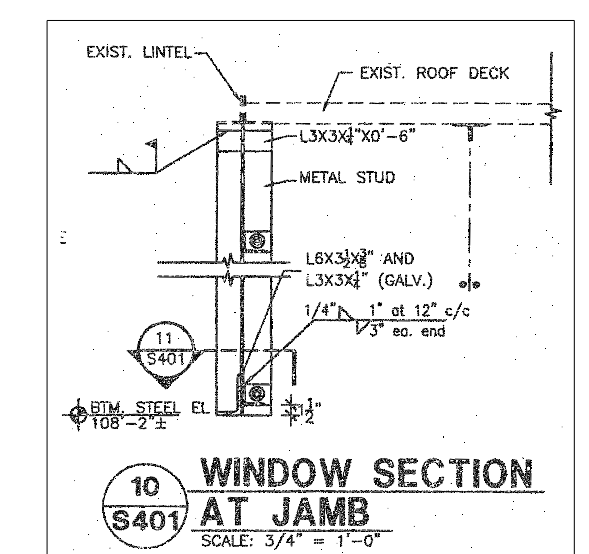
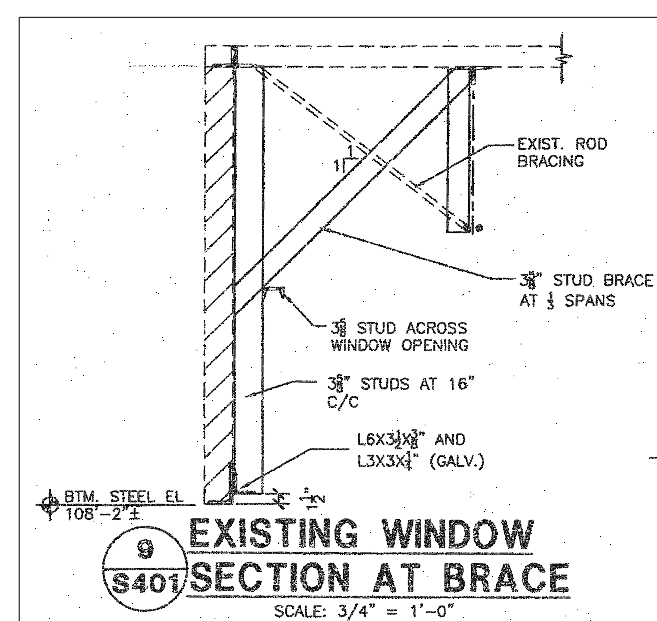
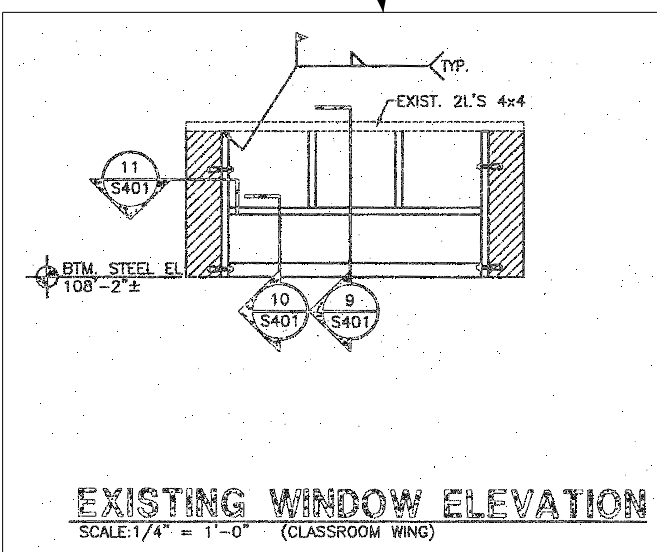
ALL EXISTING CONDITIONS SHOWN HERE ARE FROM COORDINATING AVAILABLE EXISTING DRAWINGS WITH THE CONTRACT DRAWINGS - THE DETAILS ARE FOR PLACEMENT, CONNECTION METHODS AND EXACT CONDITIONS OF EXISTING MEMBERS ARE TO BE FIELD VERIFIED PRIOR TO SHOP MATERIAL FABRICATION OF CUT STICK LENGTHS TO THE EXTENT THAT MORE MATERIAL THAN IS SHOWN SHALL BE REQUIRED. ADDITIONAL FIELD CUTTING WILL BE NECESSARY TO FIT WITH THE EXISTING ROOF MEMBERS.

SEE SHEETS E6 THROUGH E8 FOR APPROXIMATE DIMENSIONAL LOCATIONS OF SUPPORT MEMBERS. COORDINATION TO HVAC DUCT SUPPORT FRAMES & REQUIREMENTS MUST BE FIELD VERIFIED WITH THE SUPPORT FRAME SUPPLIER. DISCREPANCIES MAY BE MADE TO APPROVAL & FIELD COPIES OF THESE DRAWINGS TO FACILITATE A RECORD FOR SAID COORDINATION.

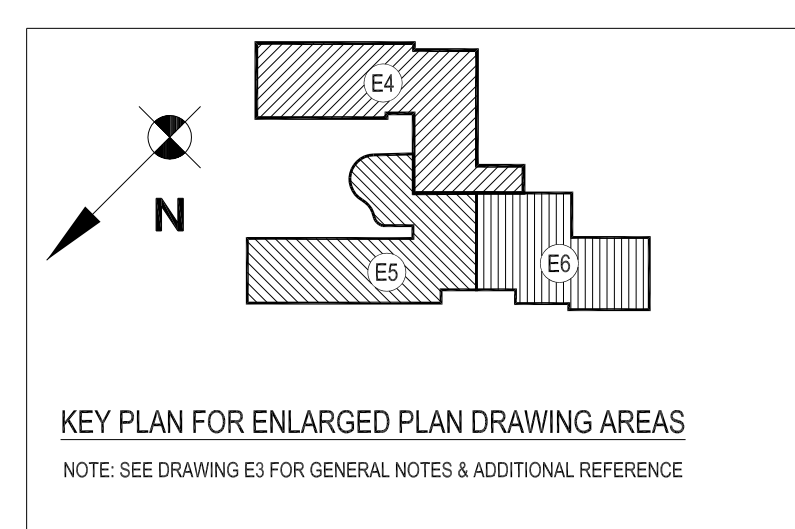
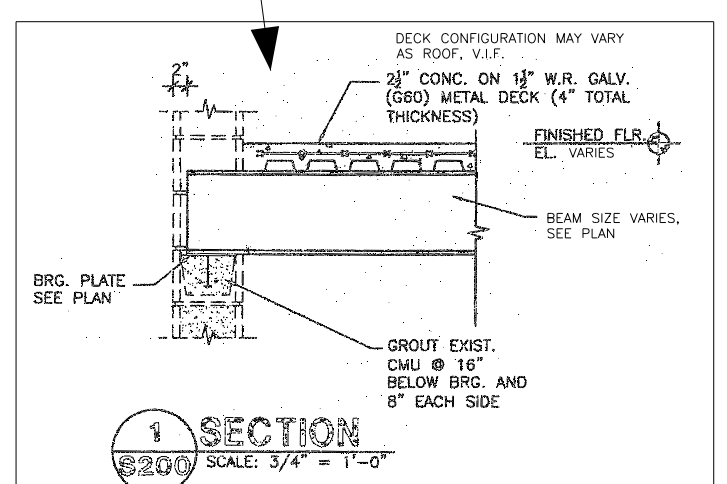
THE GENERAL LOCATION OF THE STRUCTURAL STEEL FOR HVAC SUPPORT FRAMES HAS BEEN ESTABLISHED BASED ON DIAGRAMMATIC DESIGN DRAWING LOCATIONS OF DUCTWORK, EQUIPMENT, PIPING, ETC. AND PRIOR TO FABRICATION THE GENERAL CONTRACTOR SHOULD REVIEW QUANTITIES & CONDITIONS SHOWN HEREIN & COORDINATE WITH APPLICABLE TRADES.

SEE 1/S200 (REF: 1/S401) FOR BEAM BEARING  
TYPICAL ALL NEW ROOF BEAMS UNLESS SHOWN OTHERWISE. SEE E4 THRU E6 FOR BEAM / BEARING PLATE MARKS. ESTABLISH ALL ELEVATIONS FROM EXISTING CONDITIONS.

TYPICAL 20 PLCS AT NEW WINDOWS  
SEE E4 THRU E6 FOR MARKS  
VERIFY LOCATIONS & QUANTITY



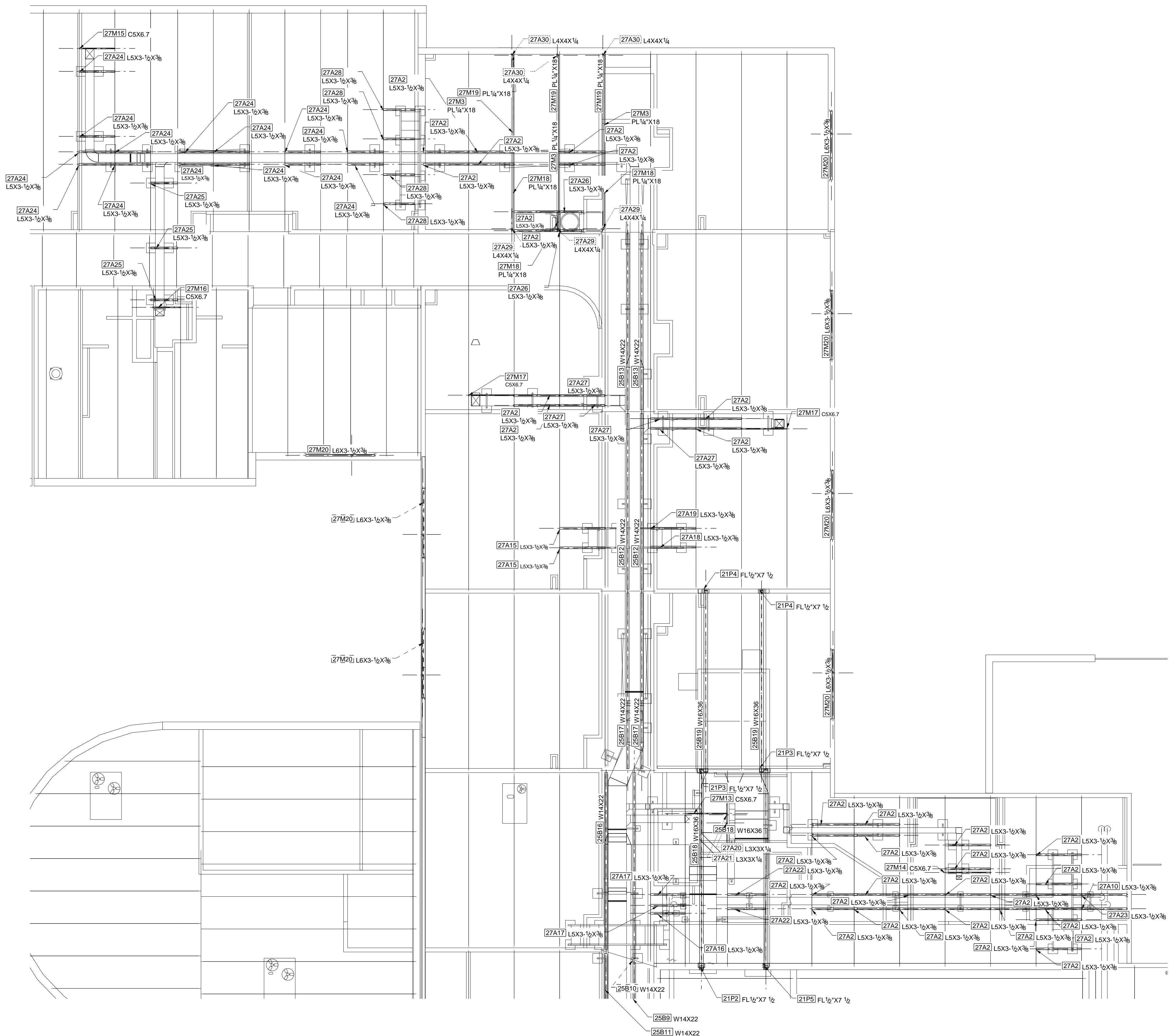
OVERALL ROOF PLAN  
1:192



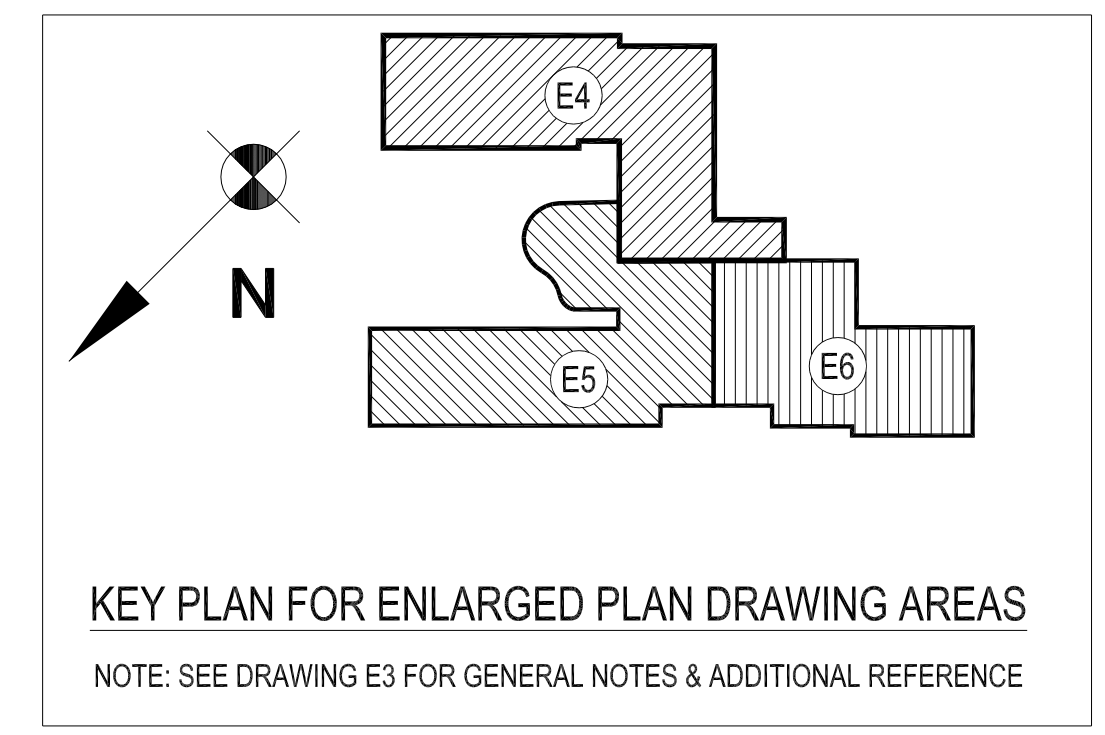
KEY PLAN FOR ENLARGED PLAN DRAWING AREAS  
NOTE: SEE DRAWING E3 FOR GENERAL NOTES & ADDITIONAL REFERENCE

A	For Approval	06/28/10	TMc	-
REV.	DESCRIPTION	DATE	DWN	CHK
<b>GENERAL NOTES</b>				
MATERIAL: A992 / A36 UN		ELECTRODES: E70XX LH		REF. DRG.
HOLES: 13/16 DIA. UN		CONNS: -		
SURFACE PREP. AND PAINT:		JOB USE		
SSPC-SP-2		SHOP		
GREY PRIMER DEVCOE NA-195 (U.N.)		APPROVAL		
DESCRIPTION: EXISTING ROOF FRAMING PLAN - REINFORCING STEEL				
PROJ. NAME	Elda Elementary School Addition/Remodel	DRAWN BY	TMc	
LOCATION	Elda Local School District - Hamilton, OH	DATE	06/28/2010	
CONTRACTOR	Endeavor ARCH./ENG. SHP	CHKD. BY	TAN	
Avenue Fabricating Inc.		DATE		
1281 Clough Pike		JOB No.	10-11E	
Batavia, OH 45103		DRG. No.	E3	
(513) 752-1911		REV.	A	

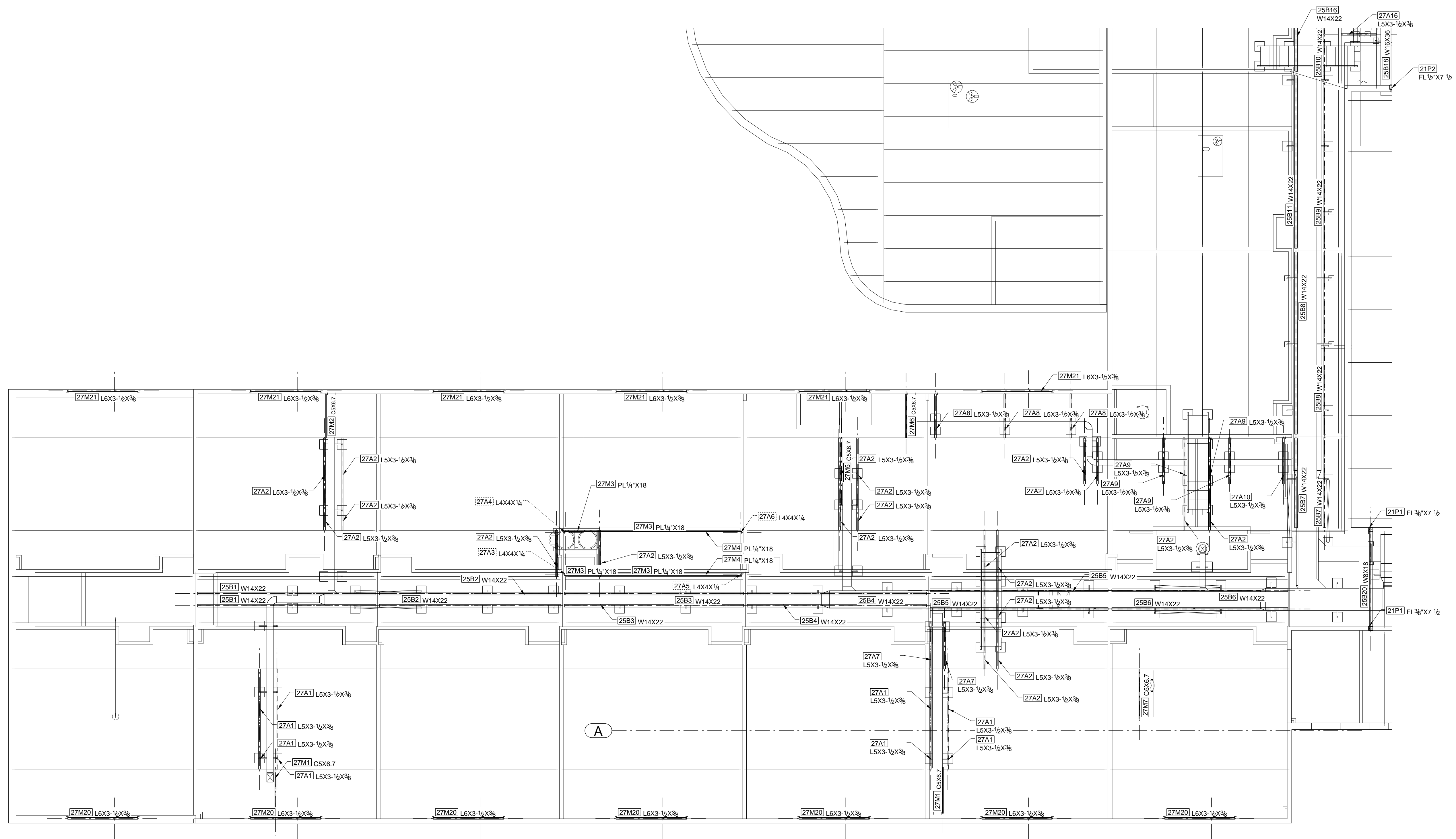




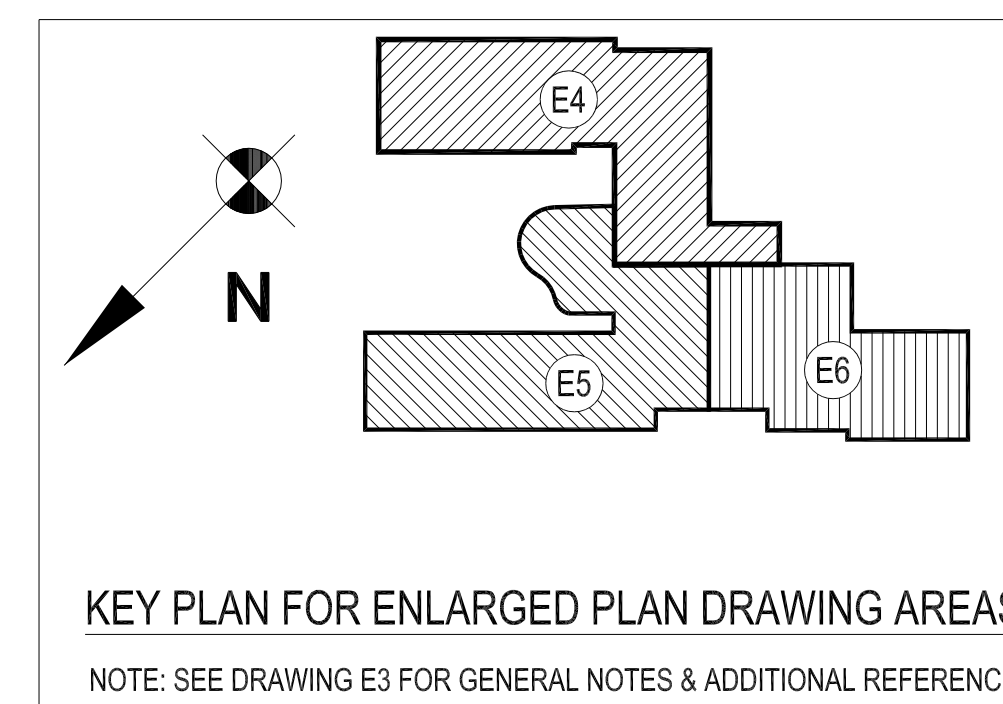
AREA A ROOF PLAN  
1:96



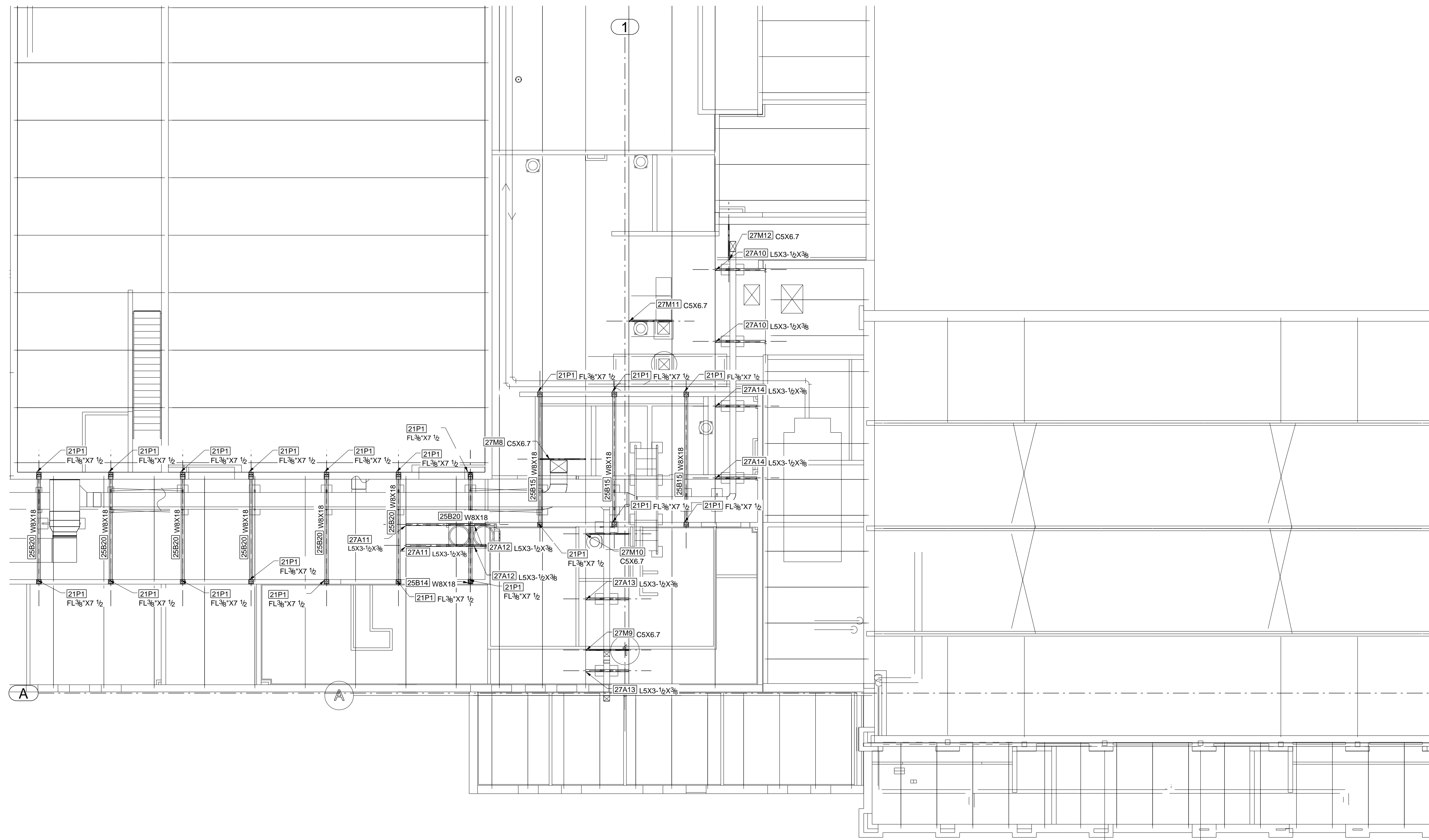
A	For Approval	06/28/10	Tmc	-
REV.	DESCRIPTION	DATE	DWN	CHK
	<b>GENERAL NOTES</b>			
	MATERIAL: A992 / A36 UN	ELECTRODES: E70XX LH	REF. DRG.	JOB USE
	HOLES: 13/16 DIA. UN	CONNS: -		SHOP
	SURFACE PREP. AND PAINT:			APPROVAL
	SSPC-SP-2			
	GREY PRIMER DEVCOE NA-195 (U.N.)			
	DESCRIPTION: AREA A - EXISTING ROOF FRAMING PLAN ~ REINF. STEEL			
	PROJ. NAME: Elda Elementary School Addition/Remodel			DRAWN BY: Tmc
	LOCATION: Elda Local School District - Hamilton, OH			DATE: 06/29/2010
	CONTRACTOR: Endeavor			CHKD. BY: TAN
	ARCH./ENG. SHP			DATE:
	Avenue Fabricating Inc.			JOB No. 10-11E
	1281 Clough Pike			DRG. No. E4
	Batavia, OH 45103			REV. A
	(513) 752-1911			



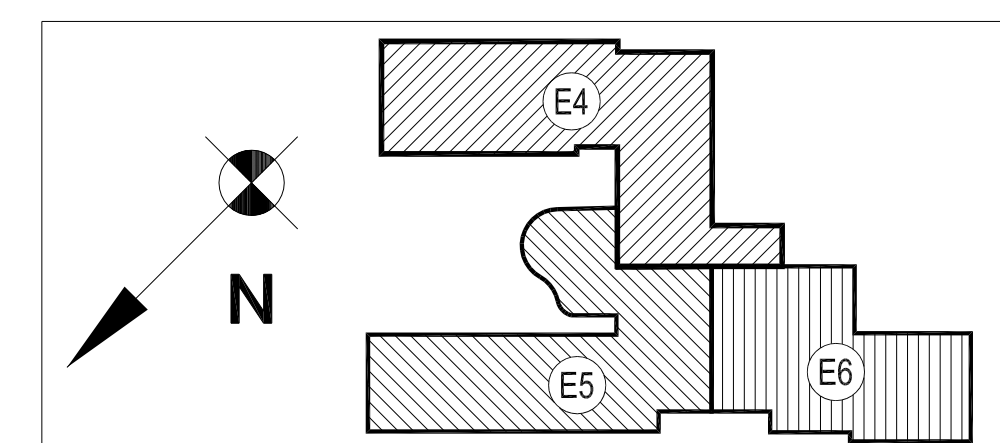
OVERALL ROOF PLAN  
1:96



REV.	DESCRIPTION	DATE	DWN	CHK
A	For Approval	06/28/10	TMc	-
<b>GENERAL NOTES</b>				
MATERIAL: A992 / A36 UN		ELECTRODES: E70XX LH		REF. DRG.
HOLES: 13/16 DIA. UN		CONNS: -		
SURFACE PREP. AND PAINT:		SPPC-SP-2 GREY PRIMER DEVCOE NA-195 (U.N.)		
DESCRIPTION: AREA B - EXISTING ROOF FRAMING PLAN ~ REINF. STEEL				
PROJ. NAME: Eida Elementary School Addition/Remodel		DRAWN BY: TMc		
LOCATION: Eida Local School District - Hamilton, OH		DATE: 06/29/2010		
CONTRACTOR: Endeavor ARCH./ENG. SHP		CHKD. BY: TAN		
Avenue Fabricating Inc. 1281 Clough Pike Batavia, OH 45103 (513) 752-1911		DATE: 06/29/2010		
		JOB No. 10-11E		
		DRG. No. E5 REV. A		



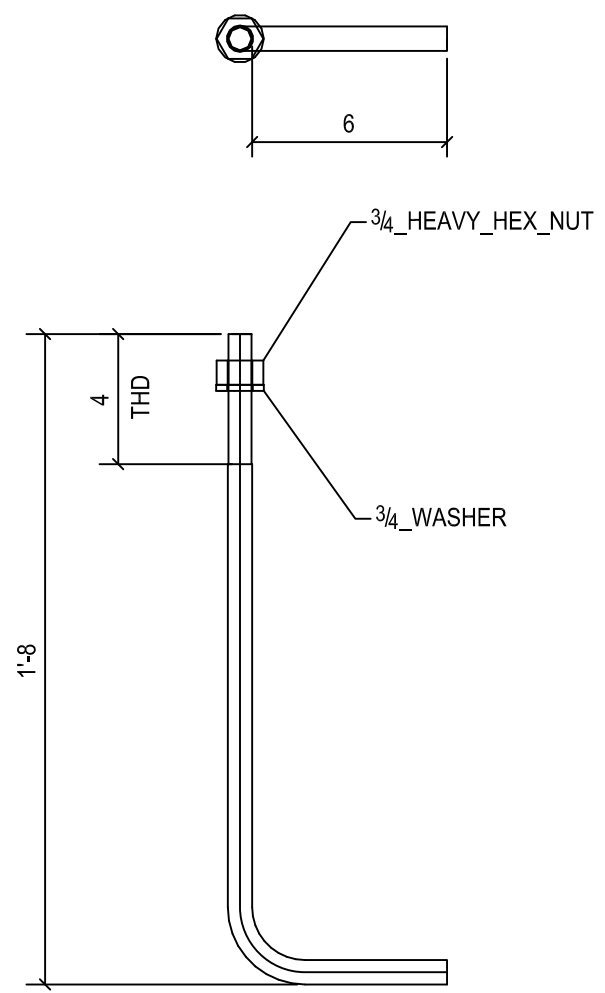
AREA C ROOF PLAN  
1:96



KEY PLAN FOR ENLARGED PLAN DRAWING AREAS

NOTE: SEE DRAWING E3 FOR GENERAL NOTES & ADDITIONAL REFERENCE

REV.	DESCRIPTION	DATE	DWN	CHK	JOB USE
A	For Approval	06/28/10	TMc	-	
<b>GENERAL NOTES</b>					
MATERIAL: A992 / A36 LIN		ELECTRODES: E70XX LH		REF. DRG.	
HOLES: 13/16 DIA. UN		CONNS: -		SHOP	
SURFACE PREP. AND PAINT:		SSPC-SP-2		APPROVAL	
		GREY PRIMER DEVCOE NA-195 (U.N.)			
DESCRIPTION: AREA C - EXISTING ROOF FRAMING PLAN ~ REINF. STEEL					
PROJ. NAME		Elda Elementary School Addition/Remodel		DRAWN BY TMc	
LOCATION		Elda Local School District - Hamilton, OH		DATE 06/29/2010	
CONTRACTOR Endeavor		ARCH./ENG. SHP		CHKD. BY TAN	
		Avenue Fabricating Inc.		DATE	
		1281 Clough Pike		JOB No. 10-11E	
		Batavia, OH 45103		DRG. No. E6	
		(513) 752-1911		REV. A	



**4 - ANCHOR RODS - AB1**

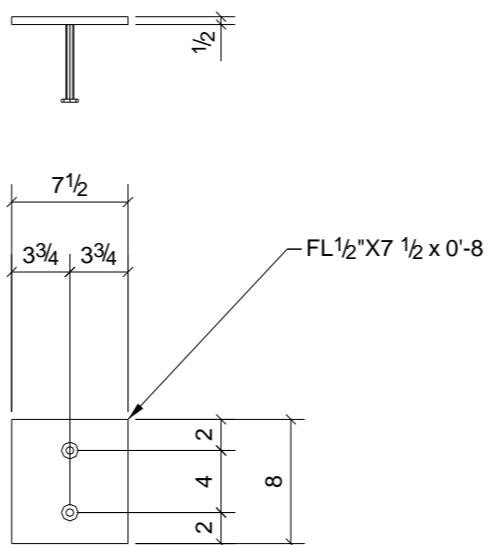
(HOOK BOLTS)

PHASE				
1	2	3	4	5
4	0	0	0	0

**BILL OF MATERIAL**

SHIP	MARK	NO PCS	DESCRIPTION	LENGTH	PIECE MARK	REMARKS
4	AB1	4	ROD3/4"	2'-1 1/8"		BENT A36 , THD 1E
		4	3/4_HEAVY_HEX_NUT			
		4	3/4_WASHER			

A	For Approval	05/28/10	TMc	-
0	For Fabrication	6/11/10	TMc	TAN/TH
REV.	DESCRIPTION	DATE	DWN	CHK
<b>GENERAL NOTES</b>			JOB USE	
MATERIAL: A992 / A36	ELECTRODES: E70XX LH	REF. DRG.	SHOP	
HOLES: 13/16 DIA. U/N	CONN'S.: -		APPROVAL	
SURFACE PREP. <b>SSPC-SP-2</b> AND PAINT: <b>NONE</b>				
DESCRIPTION: <b>ANCHOR BOLT</b>				
PROJECT NAME <b>Elda Elementary School Addition/Remodel</b>				
LOCATION <b>Elda Local School District - Hamilton, O</b>				
CONTRACTOR <b>Endeavor</b>				
<b>Avenue Fabricating Inc.</b> 1281 Clough Pike Batavia, OH 45103 (513) 752-1911			DRAWN BY TMc	DATE 05/25/2010
			CHKD. BY TAN	DATE
			JOB No. 10-10	DRG. No. AB1



PHASE				
1	2	3	4	5
25	0	0	0	0

**25 - EMBEDS - 11P1**

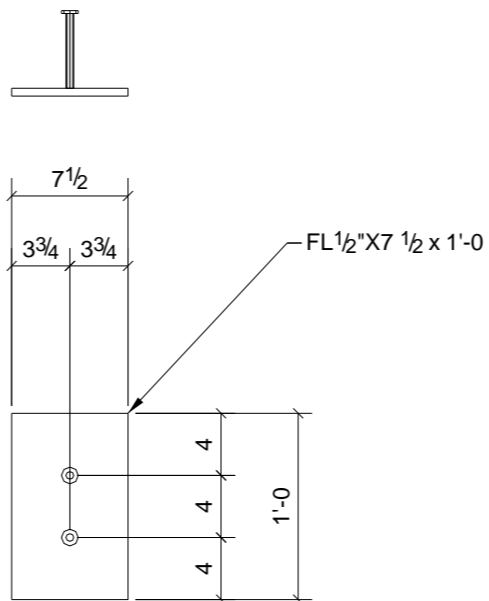
**NO PAINT**

**BILL OF MATERIAL**

SHIP	MARK	NO PCS	DESCRIPTION	LENGTH	PIECE MARK	REMARKS
25	11P1	25	FL1/2"X7 1/2"	0'-8"		SQ-2 A36
		50	STUD 1/2" DIA	0'-5"		

A	For Approval	05/28/10	TMc	-
0	For Fabrication	6/11/10	TMc	TAN/TH
REV.	DESCRIPTION	DATE	DWN	CHK
<b>GENERAL NOTES</b>			JOB USE	
MATERIAL: A992 / A36	ELECTRODES: E70XX LH	REF. DRG.	SHOP	
HOLES: 13/16 DIA. U/N	CONN'S.: -		APPROVAL	
SURFACE PREP. <b>SSPC-SP-2</b> AND PAINT: <b>GREY PRIMER DEVOE NA-195 (U.N.)</b>				
DESCRIPTION: <b>EMBED PLATE</b>				
PROJECT NAME <b>Elda Elementary School Addition/Remodel</b>				
LOCATION <b>Elda Local School District - Hamilton, O</b>				
CONTRACTOR <b>Endeavor</b>				
<b>Avenue Fabricating Inc.</b> 1281 Clough Pike Batavia, OH 45103 (513) 752-1911			DRAWN BY	DATE
			TMc	05/25/2010
			CHKD. BY	DATE
			TAN/TH	06/10/2010
JOB No.	DRG. No.	REV.		
10-10	11P1	2		





PHASE				
1	2	3	4	5
33	0	0	0	0

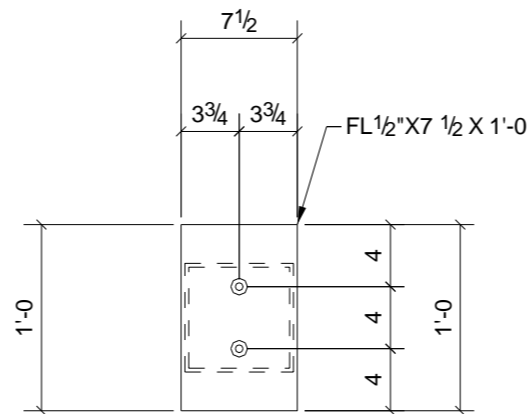
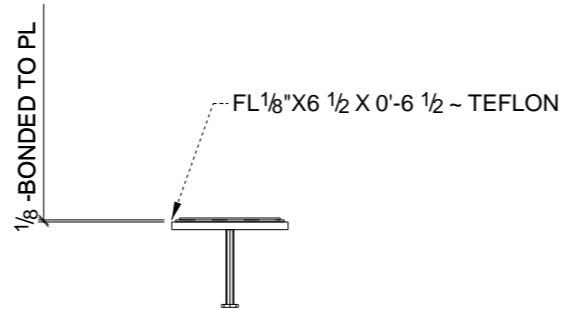
## 33 - EMBEDS - 11P2

NO PAINT

### BILL OF MATERIAL

SHIP	MARK	NO PCS	DESCRIPTION	LENGTH	PIECE MARK	REMARKS
33	11P2	33	FL1/2"X7 1/2"	1'-0"		SQ-2 A36
		66	STUD 1/2" DIA	0'-5"		

A	For Approval	05/28/10	TMc	-
0	For Fabrication	6/11/10	TMc	TAN/TH
REV.	DESCRIPTION	DATE	DWN	CHK
<b>GENERAL NOTES</b>			JOB USE	
MATERIAL: A992 / A36	ELECTRODES: E70XX LH	REF. DRG.		
HOLES: 13/16 DIA. U/N	CONN'S.: -	SHOP		
SURFACE PREP. SSPC-SP-2 AND PAINT: GREY PRIMER DEVOE NA-195 (U.N.)			APPROVAL	
DESCRIPTION: EMBED PLATE				
PROJECT NAME Eida Elementary School Addition/Remodel				
LOCATION Eida Local School District - Hamilton, O				
CONTRACTOR Endeavor				
<b>Avenue Fabricating Inc.</b>			DRAWN BY	DATE
1281 Clough Pike Batavia, OH 45103 (513) 752-1911			TMc	06/11/2010
			CHKD. BY	DATE
			TAN/TH	06/10/2010
			JOB No.	DRG. No.
			10-10	11P2
			REV.	2



PHASE				
1	2	3	4	5
1	0	0	0	0

**ONE - EMBED - 11P3**

**NO PAINT**

**BILL OF MATERIAL**

SHIP	MARK	NO PCS	DESCRIPTION	LENGTH	PIECE MARK	REMARKS
1	11P3	1	FL1/2"X7 1/2"	1'-0"		SQ-2 A36
		1	FL1/8"X6 1/2"	0'-6 1/2"	p23	TEFLON BOTTOM ELEMEN
		1	FL1/8"X7"	0'-7"	p58	A36 BOTTOM ELEMENT B
		2	STUD 1/2" DIA	0'-5"		

A	For Approval (AS 11P2)	05/28/10	TMc	-
0	For Fabrication	6/11/10	TMc	TAN/TH
REV.	DESCRIPTION	DATE	DWN	CHK

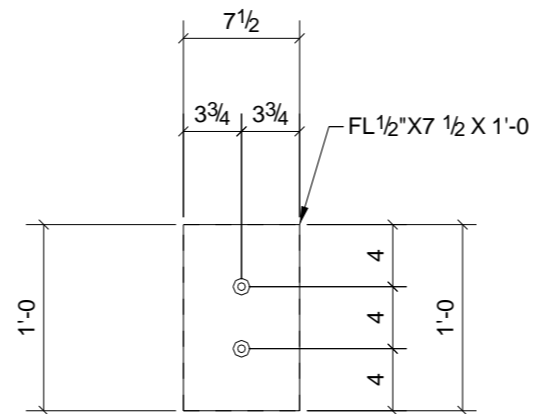
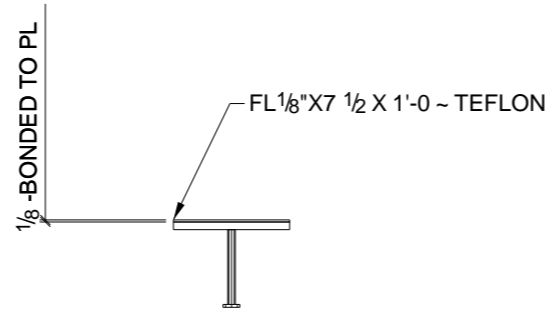
**GENERAL NOTES**

MATERIAL: A992 / A36		ELECTRODES: E70XX LH	REF. DRG.	JOB USE
HOLES: 13/16 DIA. U/N		CONN'S.: -		SHOP
SURFACE PREP: SSPC-SP-2				APPROVAL
AND PAINT: GREY PRIMER DEVOE NA-195 (U.N.)				

DESCRIPTION:	EMBED PLATE
PROJECT NAME	Elda Elementary School Addition/Remodel
LOCATION	Elda Local School District - Hamilton, O
CONTRACTOR	Endeavor

**Avenue Fabricating Inc.**  
 1281 Clough Pike  
 Batavia, OH 45103  
 (513) 752-1911

DRAWN BY	DATE	
TMc	06/11/2010	
CHKD. BY	DATE	
TAN/TH	06/10/2010	
JOB No.	DRG. No.	REV.
10-10E	11P3	2



PHASE				
1	2	3	4	5
1	0	0	0	0

**ONE - EMBED - 11P3**

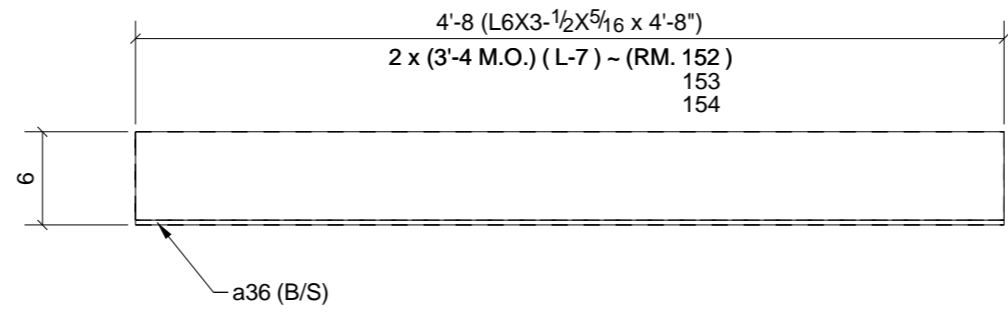
**NO PAINT**

**BILL OF MATERIAL**

SHIP	MARK	NO PCS	DESCRIPTION	LENGTH	PIECE MARK	REMARKS
1	11P3	1	FL1/2"X7 1/2"	1'-0"		SQ-2 A36
		1	FL1/8"X7 1/2"	1'-0"	p23	TEFLON BONDED TO PL
		2	STUD 1/2" DIA	0'-5"		

A	For Approval (AS 11P2)	05/28/10	TMc	-
0	For Fabrication	6/11/10	TMc	TAN/TH
REV.	DESCRIPTION	DATE	DWN	CHK
<b>GENERAL NOTES</b>				JOB USE
MATERIAL: A992 / A36	ELECTRODES: E70XX LH	REF. DRG.		SHOP
HOLES: 13/16 DIA. U/N	CONN'S.: -			APPROVAL
SURFACE PREP: <b>SSPC-SP-2</b> AND PAINT: <b>GREY PRIMER DEVOE NA-195 (U.N.)</b>				
DESCRIPTION: <b>EMBED PLATE</b>				
PROJECT NAME <b>Elda Elementary School Addition/Remodel</b>				
LOCATION <b>Elda Local School District - Hamilton, O</b>				
CONTRACTOR <b>Endeavor</b>				
<b>Avenue Fabricating Inc.</b> 1281 Clough Pike Batavia, OH 45103 (513) 752-1911			DRAWN BY	DATE
			TMc	06/11/2010
			CHKD. BY	DATE
			TAN/TH	06/10/2010
JOB No.	DRG. No.	REV.		
10-10	11P3	2		





PHASE				
1	2	3	4	5
3	0	0	0	0

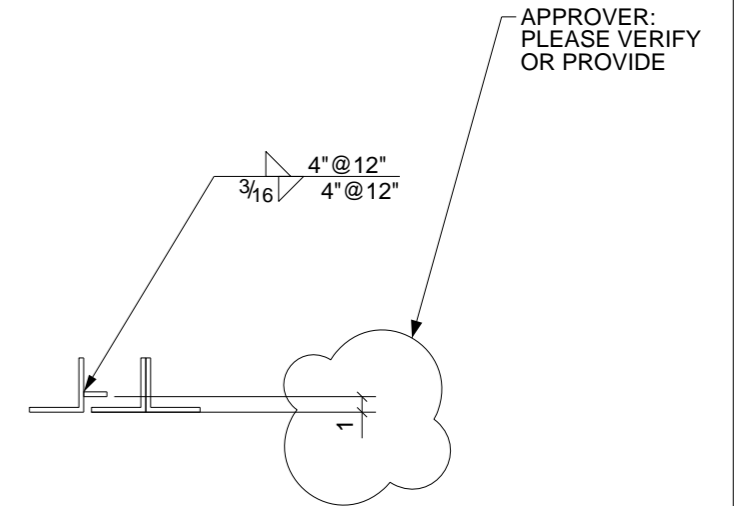
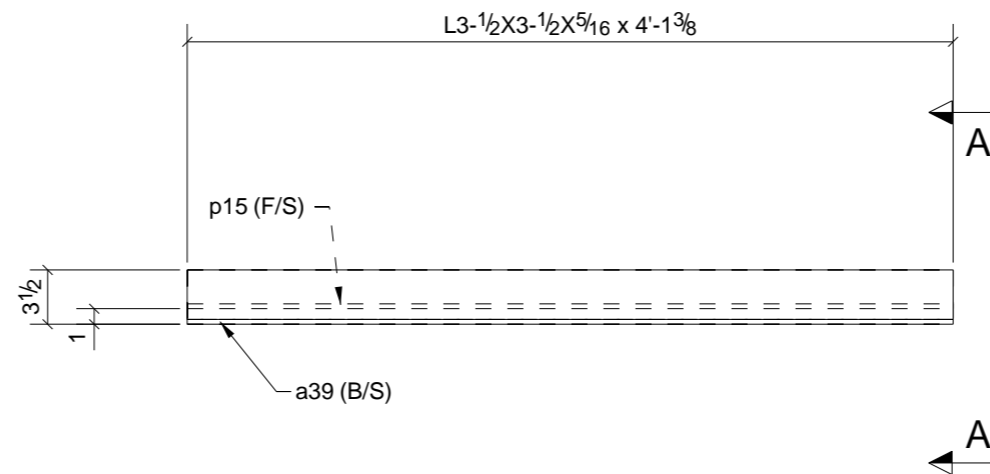
### 3 - LINTELS - 12L1

(3 ANGLES EACH LINTEL)

### BILL OF MATERIAL

SHIP	MARK	NO PCS	DESCRIPTION	LENGTH	PIECE MARK	REMARKS
3	12L1	3	L6X3-1/2X5/16	4'-8"		SQ-2 A36 PRIMED
		6	L6X3-1/2X5/16	4'-8"	a36	A36 PRIMED

A	For Approval	05/28/10	TMc	-
0	For Fabrication	6/11/10	TMc	TAN/TH
REV.	DESCRIPTION	DATE	DWN	CHK
<b>GENERAL NOTES</b>				JOB USE
MATERIAL: A992 / A36		ELECTRODES: E70XX LH	REF. DRG.	
HOLES: 13/16 DIA. U/N		CONN'S.: -	SHOP	
SURFACE PREP. SSPC-SP-2 AND PAINT: GREY PRIMER DEVOE NA-195 (U.N.)			APPROVAL	
DESCRIPTION: LINTEL				
PROJECT NAME Eida Elementary School Addition/Remodel				
LOCATION Eida Local School District - Hamilton, O				
CONTRACTOR Endeavor				
<b>Avenue Fabricating Inc.</b> 1281 Clough Pike Batavia, OH 45103 (513) 752-1911			DRAWN BY	
			TMc	
			DATE	
			05/25/2010	
			CHKD. BY	
			TAN	
			DATE	
			DATE	
			06/10/2010	
			JOB No.	
			DRG. No.	
			12L1	
			REV.	
			10-10	
			2	



**SECTION ~ A - A**

PHASE				
1	2	3	4	5
6	0	0	0	0

**6 - LINTELS - 12L11**

(3 ANGLES EACH LINTEL)

**GALVANIZED**

A	For Approval	05/28/10	TMc	-
0	For Fabrication	6/11/10	TMc	TAN/TH
REV.	DESCRIPTION	DATE	DWN	CHK

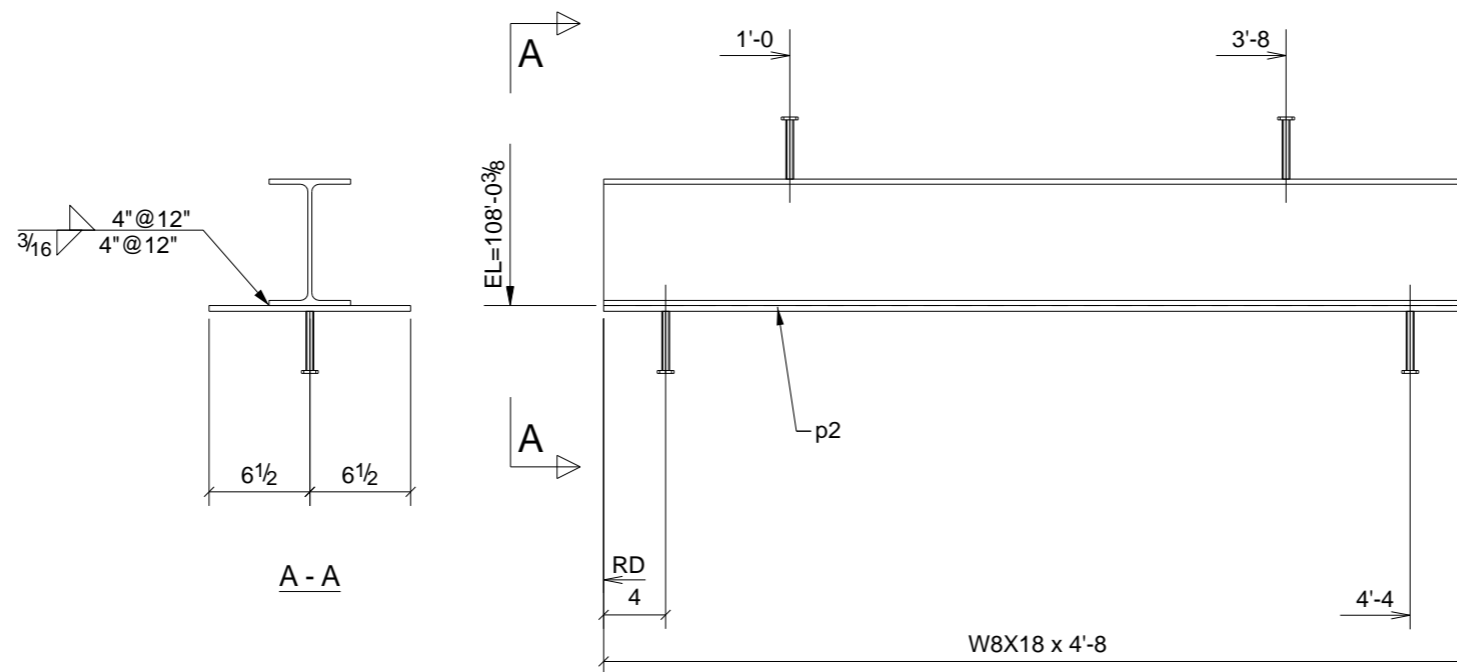
GENERAL NOTES			JOB USE	
MATERIAL: A992 / A36	ELECTRODES: E70XX LH	REF. DRG.	SHOP	
HOLES: 13/16 DIA. U/N	CONN'S.: -		APPROVAL	
SURFACE PREP: SSPC-SP-2 AND PAINT: GREY PRIMER DEVOE NA-195 (U.N.)				
DESCRIPTION: LINTEL				
PROJECT NAME: Elda Elementary School Addition/Remodel				
LOCATION: Elda Local School District - Hamilton, O				
CONTRACTOR: Endeavor				

BILL OF MATERIAL						
SHIP	MARK	NO PCS	DESCRIPTION	LENGTH	PIECE MARK	REMARKS
6	12L11	6	L3-1/2X3-1/2X5/16	4'-1 3/8"		SQ-2 A36 GALVANIZED
		12	L3-1/2X3-1/2X5/16	4'-1 3/8"	a39	A36 GALVANIZED
		6	FL5/16"X1 1/2"	4'-1 3/8"	p15	A36

**Avenue Fabricating Inc.**  
 1281 Clough Pike  
 Batavia, OH 45103  
 (513) 752-1911

DRAWN BY TMc	DATE 05/25/2010
CHKD. BY TAN/TH	DATE 06/10/2010
JOB No. 10-10	DRG. No. 12L11
	REV. 2

APPROVER:  
PLEASE VERIFY  
OR PROVIDE



**2 - LINTELS - 12L12**

PHASE				
1	2	3	4	5
2	0	0	0	0

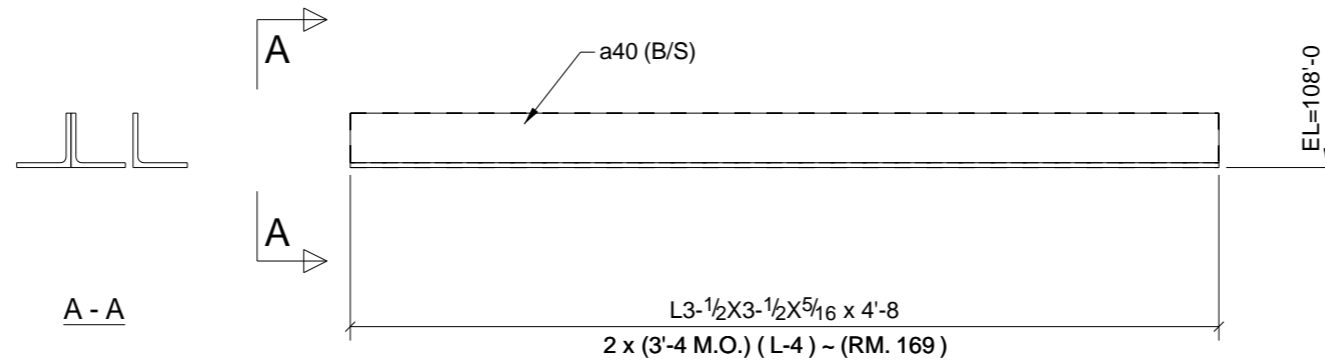
W	8 1/8" x 1/4"
F	5 1/4" x 5/16"

**BILL OF MATERIAL**

SHIP	MARK	NO PCS	DESCRIPTION	LENGTH	PIECE MARK	REMARKS
2	12L12	2	W8X18	4'-8"		SQ-2 A36 PRIMED
		2	PL3/8"X13"	4'-8"	p2	A36 PRIMED
		8	STUD 1/2" DIA	0'-4"		

A	For Approval	05/28/10	TMc	-
0	For Fabrication	6/11/10	TMc	TAN/TH
REV.	DESCRIPTION	DATE	DWN	CHK
<b>GENERAL NOTES</b>				JOB USE
MATERIAL: A992 / A36		ELECTRODES: E70XX LH	REF. DRG.	
HOLES: 13/16 DIA. U/N		CONN'S.: -	SHOP	
SURFACE PREP: SSPC-SP-2 AND PAINT: GREY PRIMER DEVOE NA-195 (U.N.)			APPROVAL	
DESCRIPTION: LINTEL				
PROJECT NAME: Elda Elementary School Addition/Remodel				
LOCATION: Elda Local School District - Hamilton, O				
CONTRACTOR: Endeavor				
<b>Avenue Fabricating Inc.</b> 1281 Clough Pike Batavia, OH 45103 (513) 752-1911			DRAWN BY	
			TMc	
			DATE	
			05/25/2010	
			CHKD. BY	
			TAN/TH	
			DATE	
			06/10/2010	
			JOB No.	
			10-10	
			DRG. No.	
			12L12	
			REV.	
			2	





PHASE				
1	2	3	4	5
2	0	0	0	0

## 2 - LINTELS - 12L14

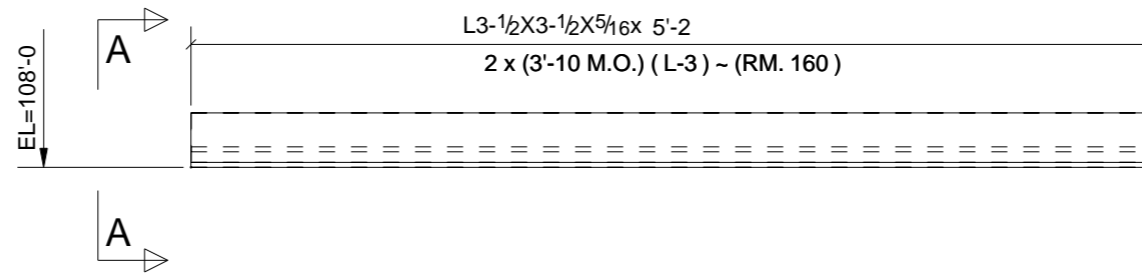
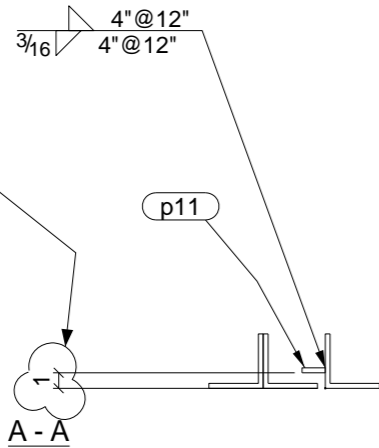
(3 ANGLES EACH LINTEL)

### BILL OF MATERIAL

SHIP	MARK	NO PCS	DESCRIPTION	LENGTH	PIECE MARK	REMARKS
	12L14	2	L3-1/2X3-1/2X5/16	4'-8"		SQ-2 A36 PRIMED
		4	L3-1/2X3-1/2X5/16	4'-8"	a40	A36 PRIMED

A	For Approval	05/28/10	TMc	-
0	For Fabrication	6/11/10	TMc	TAN/TH
REV.	DESCRIPTION	DATE	DWN	CHK
<b>GENERAL NOTES</b>				JOB USE
MATERIAL: A992 / A36	ELECTRODES: E70XX LH	REF. DRG.		SHOP
HOLES: 13/16 DIA. U/N	CONN'S.: -			APPROVAL
SURFACE PREP. <b>SSPC-SP-2</b> AND PAINT: <b>GREY PRIMER DEVOE NA-195 (U.N.)</b>				
DESCRIPTION: <b>LINTEL</b>				
PROJECT NAME <b>Elda Elementary School Addition/Remodel</b>				
LOCATION <b>Elda Local School District - Hamilton, O</b>				
CONTRACTOR <b>Endeavor</b>				
<b>Avenue Fabricating Inc.</b> 1281 Clough Pike Batavia, OH 45103 (513) 752-1911			DRAWN BY TMc	DATE 05/25/2010
			CHKD. BY TAN/TH	DATE 06/10/2010
			JOB No. 10-10	DRG. No. 12L14 REV. 2

APPROVER:  
PLEASE VERIFY  
OR PROVIDE



PHASE				
1	2	3	4	5
1	0	0	0	0

## ONE - LINTEL - 12L16

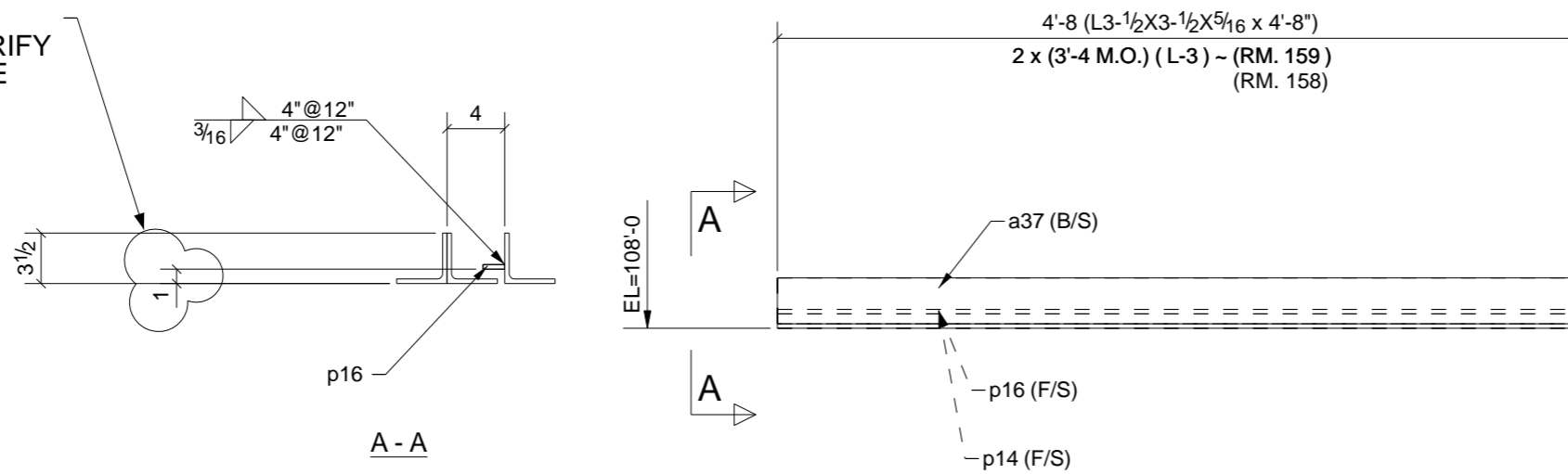
(3 ANGLES EACH LINTEL)  
GALVANIZED

### BILL OF MATERIAL

SHIP	MARK	NO PCS	DESCRIPTION	LENGTH	PIECE MARK	REMARKS
1	12L16	1	L3-1/2X3-1/2X5/16	5'-2"		SQ-2 A36 GALVANIZED
		2	L3-1/2X3-1/2X5/16	5'-2"	a41	A36 GALVANIZED
		1	FL5/16"X1 1/2"	5'-2"	p11	A36

A	For Approval	05/28/10	TMc	-
0	For Fabrication	6/11/10	TMc	TAN/TH
REV.	DESCRIPTION	DATE	DWN	CHK
<b>GENERAL NOTES</b>				JOB USE
MATERIAL: A992 / A36	ELECTRODES: E70XX LH	REF. DRG.		SHOP
HOLES: 13/16 DIA. U/N	CONN'S.: -			APPROVAL
SURFACE PREP: SSPC-SP-2 AND PAINT: GREY PRIMER DEVOE NA-195 (U.N.)				
DESCRIPTION: LINTEL				
PROJECT NAME: Eida Elementary School Addition/Remodel				
LOCATION: Eida Local School District - Hamilton, O				
CONTRACTOR: Endeavor				
<b>Avenue Fabricating Inc.</b> 1281 Clough Pike Batavia, OH 45103 (513) 752-1911			DRAWN BY	DATE
			TMc	06/12/2010
			CHKD. BY	DATE
			TAN/TH	06/10/2010
JOB No.	DRG. No.	REV.		
10-10	12L16	2		

APPROVER:  
PLEASE VERIFY  
OR PROVIDE



PHASE				
1	2	3	4	5
2	0	0	0	0

2 - LINTELS - 12L17

A	For Approval	05/28/10	TMc	-
0	For Fabrication	6/11/10	TMc	TAN/TH
REV.	DESCRIPTION	DATE	DWN	CHK

**GENERAL NOTES**

MATERIAL: A992 / A36	ELECTRODES: E70XX LH	REF. DRG.	JOB USE
HOLES: 13/16 DIA. U/N	CONN'S.: -		SHOP
SURFACE PREP: SSPC-SP-2			APPROVAL
AND PAINT: GREY PRIMER DEVOE NA-195 (U.N.)			

DESCRIPTION:	LINTEL
PROJECT NAME	Elda Elementary School Addition/Remodel
LOCATION	Elda Local School District - Hamilton, O
CONTRACTOR	Endeavor

**BILL OF MATERIAL**

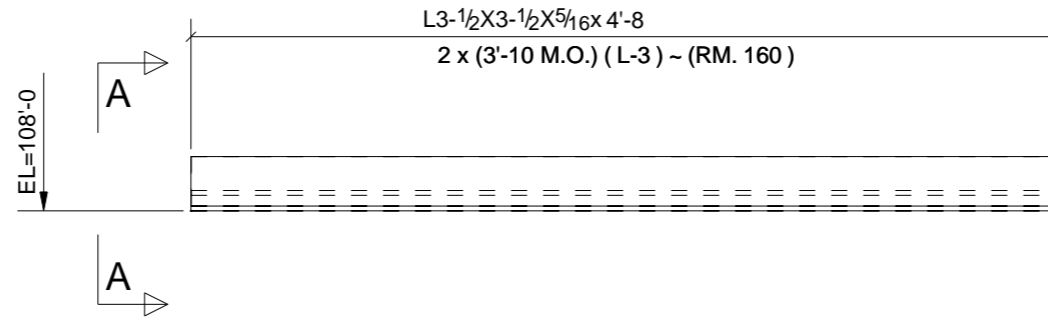
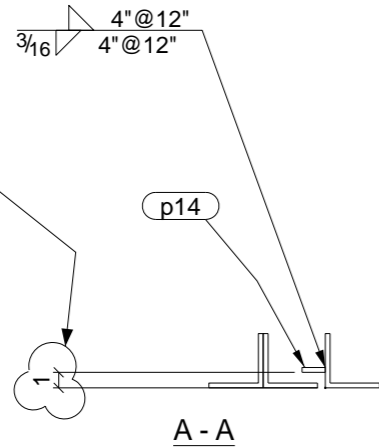
SHIP	MARK	NO PCS	DESCRIPTION	LENGTH	PIECE MARK	REMARKS
2	12L17	2	L3-1/2X3-1/2X5/16	4'-8"		SQ-2 A36 GALVANIZED
		4	L3-1/2X3-1/2X5/16	4'-8"	a37	A36 GALVANIZED
		2	FL5/16"X1 1/2"	4'-8"	p14	A36
		2	FL5/16"X1 1/2"	4'-8"	p16	A36

**Avenue Fabricating Inc.**  
1281 Clough Pike  
Batavia, OH 45103  
(513) 752-1911

DRAWN BY	DATE	
TMc	06/13/2010	
CHKD. BY	DATE	
TAN/TH	06/10/2010	
JOB No.	DRG. No.	REV.
10-10	12L17	2



APPROVER:  
PLEASE VERIFY  
OR PROVIDE



PHASE				
1	2	3	4	5
2	0	0	0	0

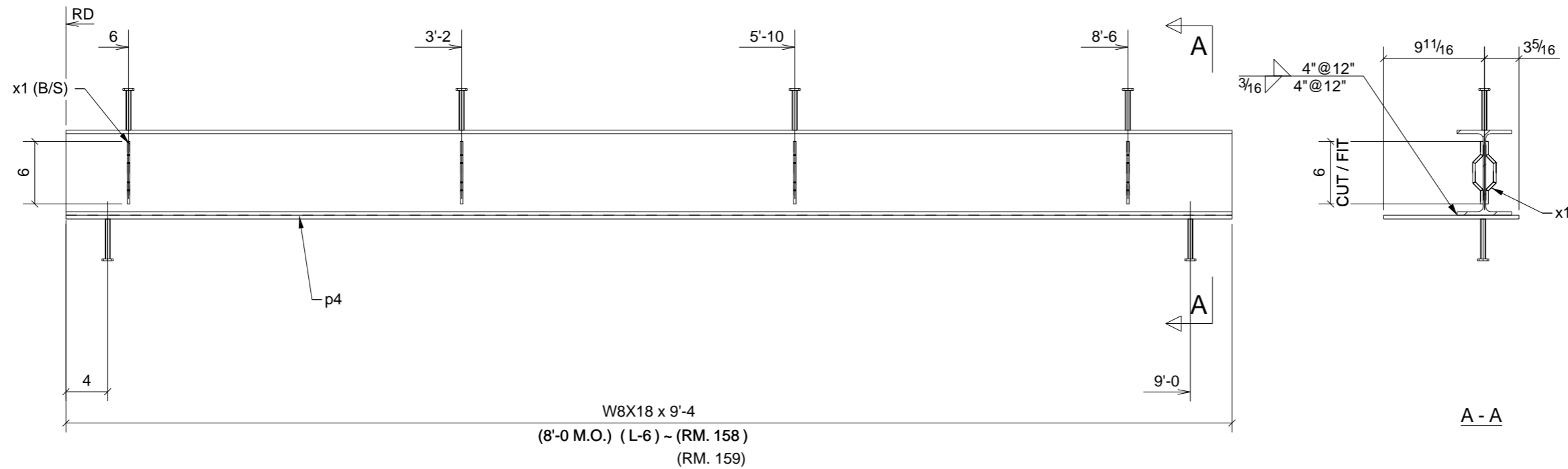
## 2 - LINTELS - 12L18

(3 ANGLES EACH LINTEL)  
GALVANIZED

### BILL OF MATERIAL

SHIP	MARK	NO PCS	DESCRIPTION	LENGTH	PIECE MARK	REMARKS
2	12L18	2	L3-1/2X3-1/2X5/16	4'-8"		SQ-2 A36 GALVANIZED
		4	L3-1/2X3-1/2X5/16	4'-8"	a37	A36 GALVANIZED
		2	FL5/16"X1 1/2"	4'-8"	p14	A36

A	For Approval	05/28/10	TMc	-
0	For Fabrication	6/11/10	TMc	TAN/TH
REV.	DESCRIPTION	DATE	DWN	CHK
<b>GENERAL NOTES</b>				JOB USE
MATERIAL: A992 / A36	ELECTRODES: E70XX LH	REF. DRG.		SHOP
HOLES: 13/16 DIA. U/N	CONN'S.: -			APPROVAL
SURFACE PREP. SSPC-SP-2 AND PAINT: GREY PRIMER DEVOE NA-195 (U.N.)				
DESCRIPTION: LINTEL				
PROJECT NAME Eida Elementary School Addition/Remodel				
LOCATION Eida Local School District - Hamilton, O				
CONTRACTOR Endeavor				
<b>Avenue Fabricating Inc.</b> 1281 Clough Pike Batavia, OH 45103 (513) 752-1911			DRAWN BY	DATE
			TMc	05/25/2010
			CHKD. BY	DATE
			TAN/TH	06/10/2010
JOB No.	DRG. No.	REV.		
10-10	12L18	2		



**ONE - LINTEL - 12L19**

**GALVANIZED**

W | 8 1/8" x 1/4"  
F | 5 1/4" x 5/16"

PHASE				
1	2	3	4	5
1	0	0	0	0

A	For Approval	05/28/10	TMc	-
0	For Fabrication	6/11/10	TMc	TAN/TH
REV.	DESCRIPTION	DATE	DWN	CHK

**GENERAL NOTES**

MATERIAL: A992 / A36	ELECTRODES: E70XX LH	REF. DRG.	JOB USE
HOLES: 13/16 DIA. U/N	CONN'S.: -		SHOP
SURFACE PREP: SSPC-SP-2 AND PAINT: GREY PRIMER DEVOE NA-195 (U.N.)			APPROVAL

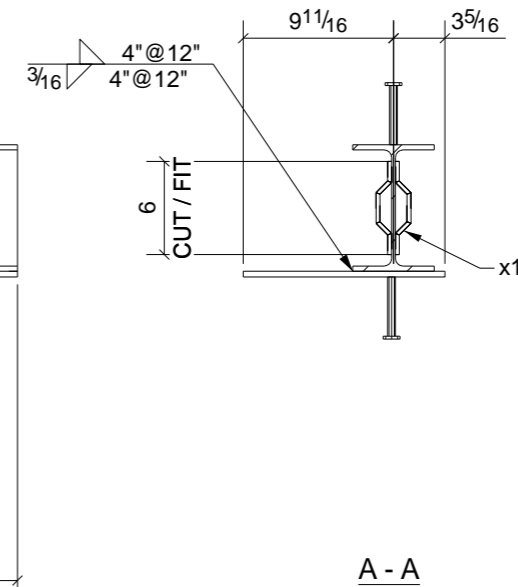
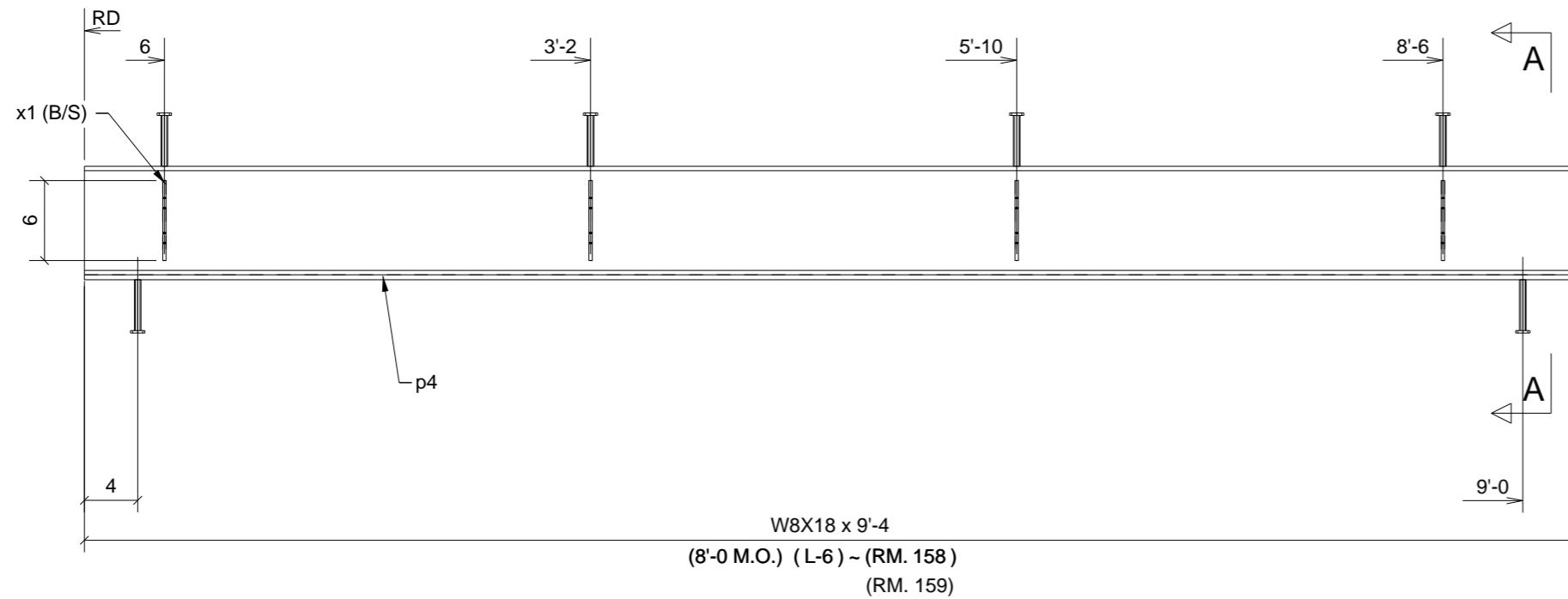
DESCRIPTION:	LINTEL
PROJECT NAME	Elda Elementary School Addition/Remodel
LOCATION	Elda Local School District - Hamilton, O
CONTRACTOR	Endeavor

**BILL OF MATERIAL**

SHIP	MARK	NO PCS	DESCRIPTION	LENGTH	PIECE MARK	REMARKS
1	12L19	1	W8X18	9'-4"		SQ-2 A36 GALVANIZED
		1	PL3/8"X13"	9'-4"	p4	A36 GALVANIZED
		8	H&B #359	0'-6 3/16"	x1	A36
		6	STUD 1/2" DIA	0'-4"		

**Avenue Fabricating Inc.**  
1281 Clough Pike  
Batavia, OH 45103  
(513) 752-1911

DRAWN BY	DATE	
TMc	05/25/2010	
CHKD. BY	DATE	
TAN/TH	06/10/2010	
JOB No.	DRG. No.	REV.
10-10E	12L19	2



PHASE				
1	2	3	4	5
2	0	0	0	0

## 2 - LINTELS - 12L19

GALVANIZED

W | 8 1/8" x 1/4"  
F | 5 1/4" x 5/16"

A	For Approval	05/28/10	TMc	-
0	For Fabrication	6/11/10	TMc	TAN/TH
REV.	DESCRIPTION	DATE	DWN	CHK

### GENERAL NOTES

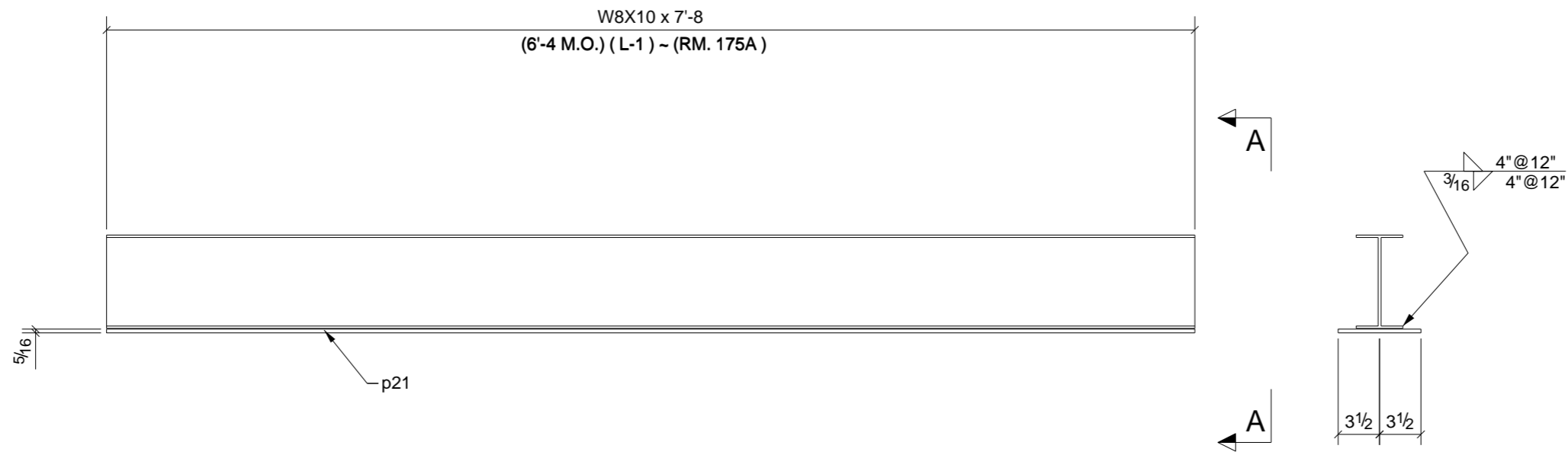
MATERIAL: A992 / A36	ELECTRODES: E70XX LH	REF. DRG.	JOB USE	
HOLES: 13/16 DIA. U/N	CONN'S.: -		SHOP	
SURFACE PREP: SSPC-SP-2 AND PAINT: GREY PRIMER DEVOE NA-195 (U.N.)			APPROVAL	
DESCRIPTION: LINTEL				
PROJECT NAME: Elda Elementary School Addition/Remodel				
LOCATION: Elda Local School District - Hamilton, O				
CONTRACTOR: Endeavor				

### BILL OF MATERIAL

SHIP	MARK	NO PCS	DESCRIPTION	LENGTH	PIECE MARK	REMARKS
2	12L19	2	W8X18	9'-4"		SQ-2 A36 GALVANIZED
		2	PL3/8"X13"	9'-4"	p4	A36 GALVANIZED
		16	H&B #359	0'-6 3/16"	x1	A36
		12	STUD 1/2" DIA	0'-4"		

**Avenue Fabricating Inc.**  
1281 Clough Pike  
Batavia, OH 45103  
(513) 752-1911

DRAWN BY TMc	DATE 05/25/2010
CHKD. BY TAN/TH	DATE 06/10/2010
JOB No. 10-10	DRG. No. 12L19
	REV. 2



**SECTION ~ A - A**

**ONE - LINTEL - 12L22**

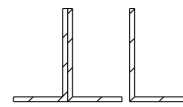
PHASE				
1	2	3	4	5
1	0	0	0	0

W	7 7/8" x 3/16"
F	3 15/16" x 3/16"

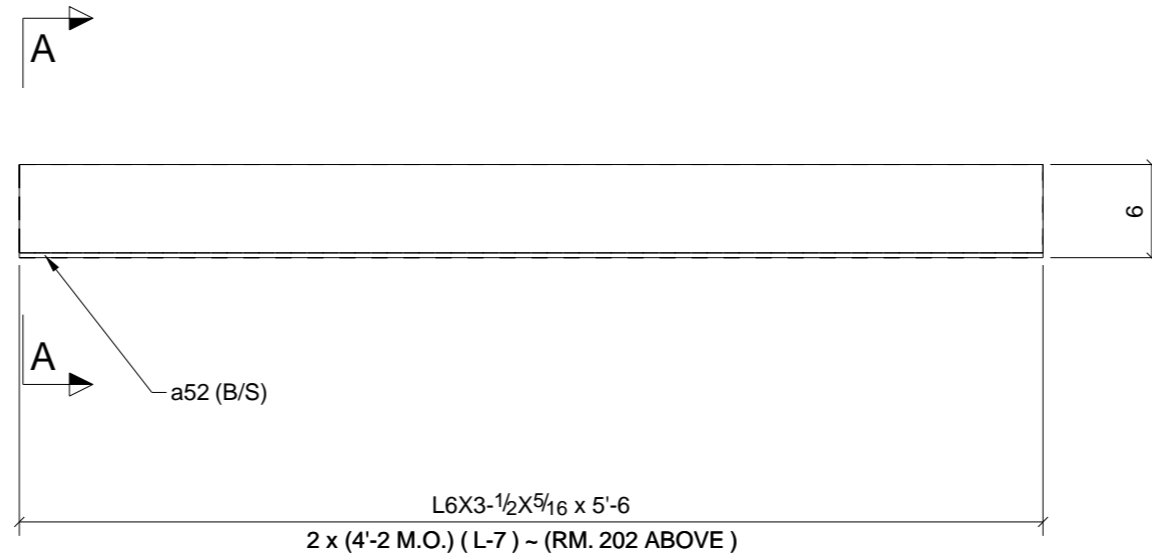
A	For Approval (AS 12L6)	05/28/10	TMc	-
0	For Fabrication	6/11/10	TMc	TAN/TH
REV.	DESCRIPTION	DATE	DWN	CHK
<b>GENERAL NOTES</b>				JOB USE
MATERIAL: A992 / A36	ELECTRODES: E70XX LH	REF. DRG.		SHOP
HOLES: 13/16 DIA. U/N	CONN'S.: -			APPROVAL
SURFACE PREP. SSPC-SP-2 AND PAINT: GREY PRIMER DEVOE NA-195 (U.N.)				
DESCRIPTION: LINTEL				
PROJECT NAME Eida Elementary School Addition/Remodel				
LOCATION Eida Local School District - Hamilton, O				
CONTRACTOR Endeavor				
<b>Avenue Fabricating Inc.</b> 1281 Clough Pike Batavia, OH 45103 (513) 752-1911			DRAWN BY	DATE
			TMc	06/10/2010
			CHKD. BY	DATE
			TAN/TH	06/10/2010
JOB No.	DRG. No.	REV.		
10-10	12L22	2		

**BILL OF MATERIAL**

SHIP	MARK	NO PCS	DESCRIPTION	LENGTH	PIECE MARK	REMARKS
1	12L22	1	W8X10	7'-8"		SQ-2 A992 1 S/C STD PRIMER
		1	FL5/16"X7"	7'-8"	p21	A36 1 S/C STD PRIMER



**SECTION ~ A - A**



**ONE - LINTEL - 12L23**

(3 ANGLES EACH LINTEL)

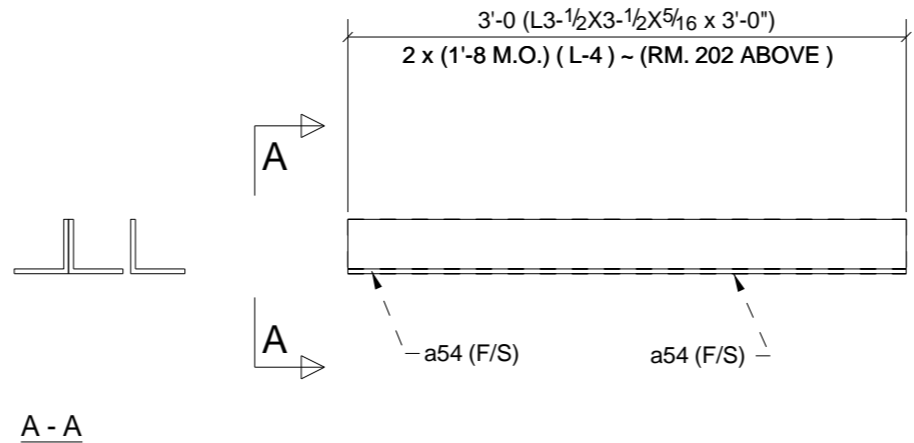
**GALVANIZED**

PHASE				
1	2	3	4	5
1	0	0	0	0

**BILL OF MATERIAL**

SHIP	MARK	NO PCS	DESCRIPTION	LENGTH	PIECE MARK	REMARKS
1	12L23	1	L6X3-1/2X5/16	5'-6"		SQ-2 A36 GALVANIZED
		2	L6X3-1/2X5/16	5'-6"	a52	A36 GALVANIZED

A	For Approval	05/28/10	TMc	-
0	For Fabrication	6/11/10	TMc	TAN/TH
REV.	DESCRIPTION	DATE	DWN	CHK
<b>GENERAL NOTES</b>				JOB USE
MATERIAL: A992 / A36	ELECTRODES: E70XX LH	REF. DRG.		SHOP
HOLES: 13/16 DIA. U/N	CONN'S.: -			APPROVAL
SURFACE PREP. <b>SSPC-SP-2</b> AND PAINT: <b>GREY PRIMER DEVOE NA-195 (U.N.)</b>				
DESCRIPTION: <b>LINTEL</b>				
PROJECT NAME <b>Elda Elementary School Addition/Remodel</b>				
LOCATION <b>Elda Local School District - Hamilton, O</b>				
CONTRACTOR <b>Endeavor</b>				
<b>Avenue Fabricating Inc.</b> 1281 Clough Pike Batavia, OH 45103 (513) 752-1911			DRAWN BY	DATE
			TMc	06/11/2010
			CHKD. BY	DATE
			TAN/TH	06/10/2010
JOB No.	DRG. No.	REV.		
10-10	12L23	2		



PHASE				
1	2	3	4	5
2	0	0	0	0

## 2 - LINTELS - 12L24

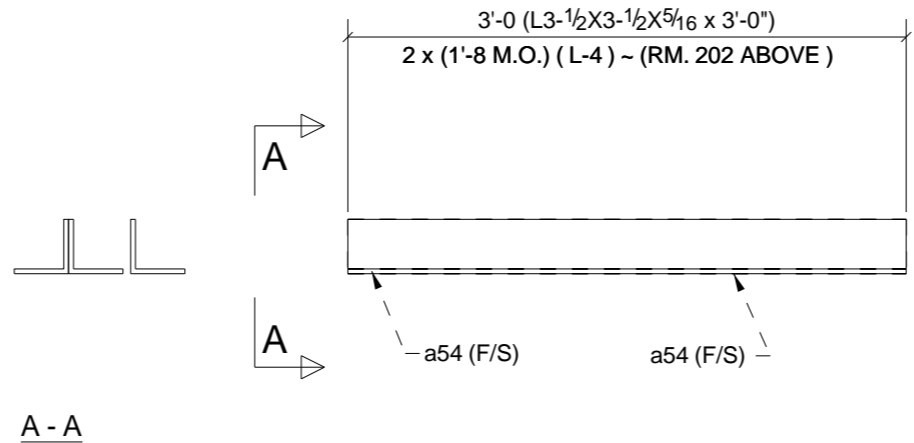
GALVANIZED

### BILL OF MATERIAL

SHIP	MARK	NO PCS	DESCRIPTION	LENGTH	PIECE MARK	REMARKS
	12L24	2	L3-1/2X3-1/2X5/16	3'-0"		SQ-2 A36 GALVANIZED
		4	L3-1/2X3-1/2X5/16	3'-0"	a54	A36 GALVANIZED

A	For Approval	05/28/10	TMc	-
0	For Fabrication	6/11/10	TMc	TAN/TH
REV.	DESCRIPTION	DATE	DWN	CHK
<b>GENERAL NOTES</b>				JOB USE
MATERIAL: A992 / A36	ELECTRODES: E70XX LH	REF. DRG.	SHOP	
HOLES: 13/16 DIA. U/N	CONN'S.: -		APPROVAL	
SURFACE PREP. SSPC-SP-2 AND PAINT: GREY PRIMER DEVOE NA-195 (U.N.)				
DESCRIPTION: ANGLE				
PROJECT NAME Eida Elementary School Addition/Remodel				
LOCATION Eida Local School District - Hamilton, O				
CONTRACTOR Endeavor				
<b>Avenue Fabricating Inc.</b> 1281 Clough Pike Batavia, OH 45103 (513) 752-1911			DRAWN BY	DATE
			TMc	06/11/2010
			CHKD. BY	DATE
			TAN/TH	06/10/2010
JOB No.	DRG. No.	REV.		
10-10	12L24	2		





PHASE				
1	2	3	4	5
2	0	0	0	0

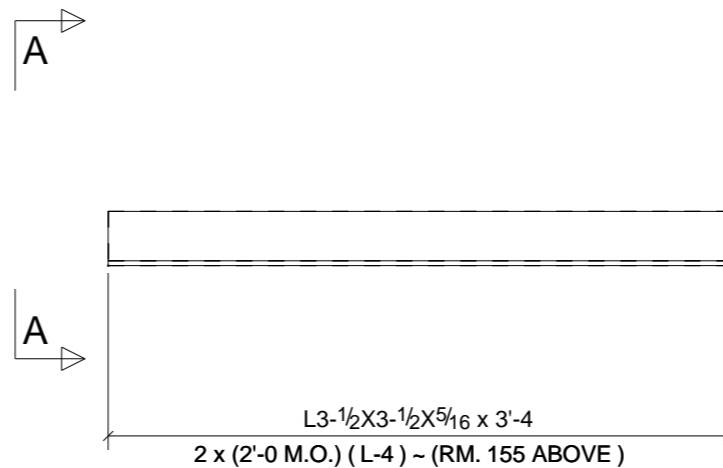
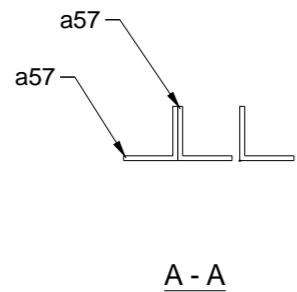
## 2 - LINTELS - 12L24

GALVANIZED

### BILL OF MATERIAL

SHIP	MARK	NO PCS	DESCRIPTION	LENGTH	PIECE MARK	REMARKS
	12L24	2	L3-1/2X3-1/2X5/16	3'-0"		SQ-2 A36 GALVANIZED
		4	L3-1/2X3-1/2X5/16	3'-0"	a54	A36 GALVANIZED

A	For Approval	05/28/10	TMc	-
0	For Fabrication	6/11/10	TMc	TAN/TH
REV.	DESCRIPTION	DATE	DWN	CHK
<b>GENERAL NOTES</b>				JOB USE
MATERIAL: A992 / A36	ELECTRODES: E70XX LH	REF. DRG.		SHOP
HOLES: 13/16 DIA. U/N	CONN'S.: -			APPROVAL
SURFACE PREP. SSPC-SP-2 AND PAINT: GREY PRIMER DEVOE NA-195 (U.N.)				
DESCRIPTION: ANGLE				
PROJECT NAME Eida Elementary School Addition/Remodel				
LOCATION Eida Local School District - Hamilton, O				
CONTRACTOR Endeavor				
<b>Avenue Fabricating Inc.</b> 1281 Clough Pike Batavia, OH 45103 (513) 752-1911			DRAWN BY	DATE
			TMc	06/11/2010
			CHKD. BY	DATE
			TAN/TH	06/10/2010
JOB No.	DRG. No.	REV.		
10-10	12L24	2		



PHASE				
1	2	3	4	5
1	0	0	0	0

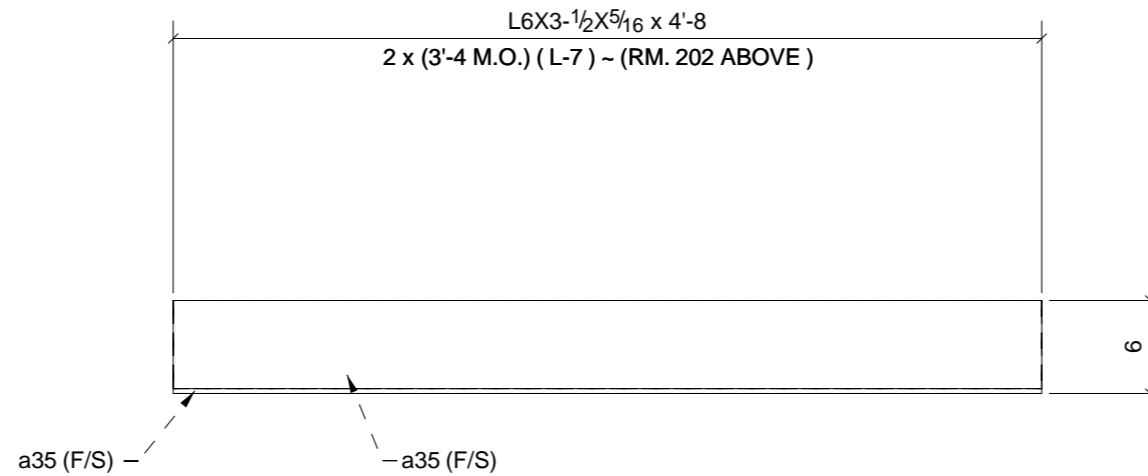
## ONE - LINTEL - 12L28

FINISH: GALVANIZED

### BILL OF MATERIAL

SHIP	MARK	NO PCS	DESCRIPTION	LENGTH	PIECE MARK	REMARKS
1	12L28	1	L3-1/2X3-1/2X5/16	3'-4"		SQ-2 A36 GALVANIZED
		2	L3-1/2X3-1/2X5/16	3'-4"	a57	A36 GALVANIZED

A	For Approval	05/28/10	TMc	-
0	For Fabrication	6/11/10	TMc	TAN/TH
REV.	DESCRIPTION	DATE	DWN	CHK
<b>GENERAL NOTES</b>			JOB USE	
MATERIAL: A992 / A36	ELECTRODES: E70XX LH	REF. DRG.		SHOP
HOLES: 13/16 DIA. U/N	CONN'S.: -			APPROVAL
SURFACE PREP. <b>SSPC-SP-2</b> AND PAINT: <b>GREY PRIMER DEVOE NA-195 (U.N.)</b>				
DESCRIPTION: <b>LINTEL</b>				
PROJECT NAME <b>Elda Elementary School Addition/Remodel</b>				
LOCATION <b>Elda Local School District - Hamilton, O</b>				
CONTRACTOR <b>Endeavor</b>				
<b>Avenue Fabricating Inc.</b> 1281 Clough Pike Batavia, OH 45103 (513) 752-1911		DRAWN BY TMc	DATE 06/13/2010	
		CHKD. BY TAN/TH	DATE 06/10/2010	
		JOB No. 10-10	DRG. No. 12L28	REV. 2



PHASE				
1	2	3	4	5
1	0	0	0	0

## ONE - LINTEL - 12L3

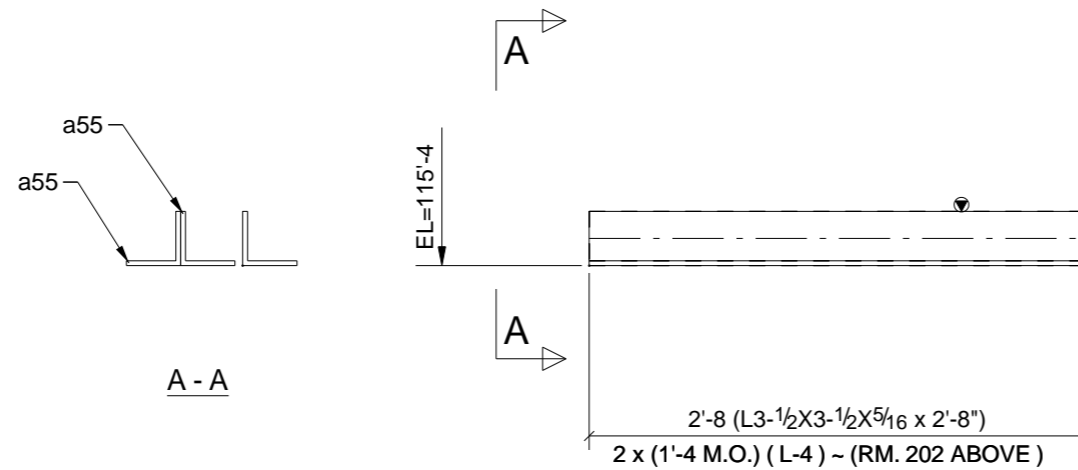
(3 ANGLES EACH LINTEL)

GALVANIZED

### BILL OF MATERIAL

SHIP	MARK	NO PCS	DESCRIPTION	LENGTH	PIECE MARK	REMARKS
1	12L3	1	L6X3-1/2X5/16	4'-8"		SQ-2 A36 GALVANIZED
		2	L6X3-1/2X5/16	4'-8"	a35	A36 GALVANIZED

A	For Approval	05/28/10	TMc	-
0	For Fabrication	6/11/10	TMc	TAN/TH
REV.	DESCRIPTION	DATE	DWN	CHK
<b>GENERAL NOTES</b>			JOB USE	
MATERIAL: A992 / A36	ELECTRODES: E70XX LH	REF. DRG.		SHOP
HOLES: 13/16 DIA. U/N	CONN'S.: -			APPROVAL
SURFACE PREP. SSPC-SP-2 AND PAINT: GREY PRIMER DEVOE NA-195 (U.N.)				
DESCRIPTION: LINTEL				
PROJECT NAME Eida Elementary School Addition/Remodel				
LOCATION Eida Local School District - Hamilton, O				
CONTRACTOR Endeavor				
<b>Avenue Fabricating Inc.</b> 1281 Clough Pike Batavia, OH 45103 (513) 752-1911			DRAWN BY TMc	DATE 05/25/2010
			CHKD. BY TAN	DATE 06/10/2010
			JOB No. 10-10	DRG. No. 12L3 REV. 2



PHASE				
1	2	3	4	5
2	0	0	0	0

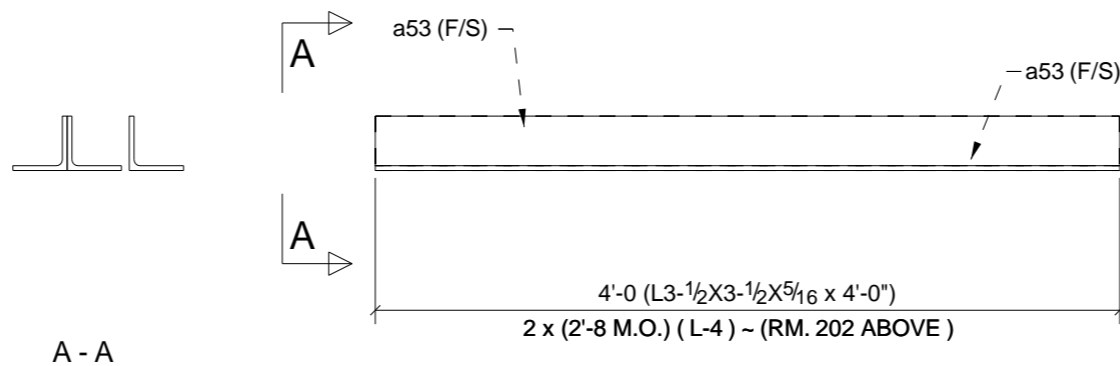
## 2 - LINTELS - 12L4

FINISH: GALVANIZED

### BILL OF MATERIAL

SHIP	MARK	NO PCS	DESCRIPTION	LENGTH	PIECE MARK	REMARKS
	12L4	2	L3-1/2X3-1/2X5/16	2'-8"		SQ-2 A36 GALVANIZED
		4	L3-1/2X3-1/2X5/16	2'-8"	a55	A36 GALVANIZED

A	For Approval	05/28/10	TMc	-
0	For Fabrication	6/11/10	TMc	TAN/TH
REV.	DESCRIPTION	DATE	DWN	CHK
<b>GENERAL NOTES</b>				JOB USE
MATERIAL: A992 / A36	ELECTRODES: E70XX LH	REF. DRG.		SHOP
HOLES: 13/16 DIA. U/N	CONN'S.: -			APPROVAL
SURFACE PREP: <b>SSPC-SP-2</b> AND PAINT: <b>GREY PRIMER DEVOE NA-195 (U.N.)</b>				
DESCRIPTION: <b>LINTEL</b>				
PROJECT NAME <b>Elda Elementary School Addition/Remodel</b>				
LOCATION <b>Elda Local School District - Hamilton, O</b>				
CONTRACTOR <b>Endeavor</b>				
<b>Avenue Fabricating Inc.</b> 1281 Clough Pike Batavia, OH 45103 (513) 752-1911			DRAWN BY	DATE
			TMc	06/11/2010
			CHKD. BY	DATE
			TAN/TH	06/10/2010
JOB No.	DRG. No.	REV.		
10-10	12L4	2		



PHASE				
1	2	3	4	5
2	0	0	0	0

## 2 - LINTELS - 12L5

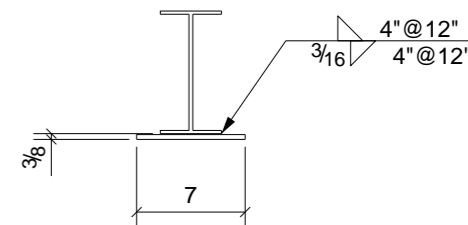
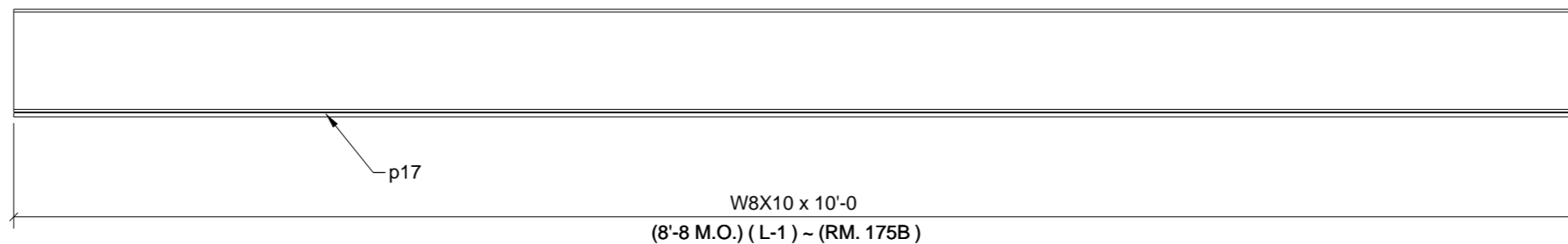
(3 ANGLES EACH LINTEL)

FINISH: GALVANIZED

### BILL OF MATERIAL

SHIP	MARK	NO PCS	DESCRIPTION	LENGTH	PIECE MARK	REMARKS
	12L5	2	L3-1/2X3-1/2X5/16	4'-0"		SQ-2 A36 GALVANIZED
		4	L3-1/2X3-1/2X5/16	4'-0"	a53	A36 GALVANIZED

A	For Approval	05/28/10	TMc	-
0	For Fabrication	6/11/10	TMc	TAN/TH
REV.	DESCRIPTION	DATE	DWN	CHK
<b>GENERAL NOTES</b>				JOB USE
MATERIAL: A992 / A36		ELECTRODES: E70XX LH	REF. DRG.	
HOLES: 13/16 DIA. U/N		CONN'S.: -	SHOP	
SURFACE PREP. SSPC-SP-2 AND PAINT: GREY PRIMER DEVOE NA-195 (U.N.)			APPROVAL	
DESCRIPTION: LINTEL				
PROJECT NAME Eida Elementary School Addition/Remodel				
LOCATION Eida Local School District - Hamilton, O				
CONTRACTOR Endeavor				
<b>Avenue Fabricating Inc.</b> 1281 Clough Pike Batavia, OH 45103 (513) 752-1911			DRAWN BY	DATE
			TMc	06/11/2010
			CHKD. BY	DATE
			TAN/TH	06/10/2010
JOB No.	DRG. No.	REV.		
10-10	12L5	2		



A  
A

**SECTION ~ A - A**

**ONE - LINTEL - 12L6**

PHASE				
1	2	3	4	5
1	0	0	0	0

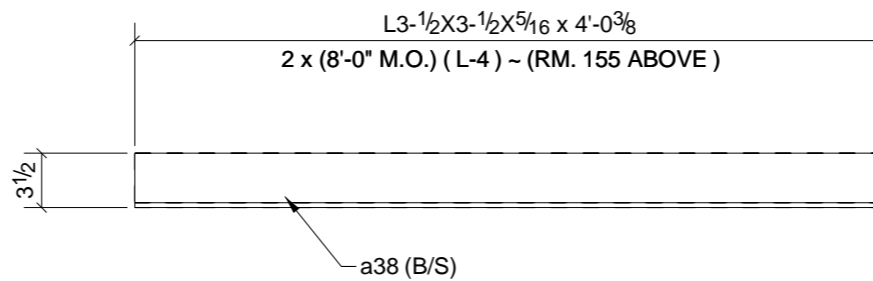
W	7 7/8" x 3/16"
F	3 15/16" x 3/16"

A	For Approval	05/28/10	TMc	-
0	For Fabrication	6/11/10	TMc	TAN/TH
REV.	DESCRIPTION	DATE	DWN	CHK
GENERAL NOTES				JOB USE
MATERIAL: A992 / A36	ELECTRODES: E70XX LH	REF. DRG.		SHOP
HOLES: 13/16 DIA. U/N	CONN'S.: -			APPROVAL
SURFACE PREP. SSPC-SP-2 AND PAINT: GREY PRIMER DEVOE NA-195 (U.N.)				
DESCRIPTION: LINTEL				
PROJECT NAME Eida Elementary School Addition/Remodel				
LOCATION Eida Local School District - Hamilton, O				
CONTRACTOR Endeavor				
<b>Avenue Fabricating Inc.</b> 1281 Clough Pike Batavia, OH 45103 (513) 752-1911			DRAWN BY	DATE
			TMc	05/25/2010
			CHKD. BY	DATE
			TAN/TH	06/10/2010
JOB No.	DRG. No.	REV.		
10-10	12L6	2		

**BILL OF MATERIAL**

SHIP	MARK	NO PCS	DESCRIPTION	LENGTH	PIECE MARK	REMARKS
1	12L6	1	W8X10	10'-0"		SQ-2 A992 1 S/C STD PRIMER
		1	FL5/16"X7"	10'-0"	p17	A36 1 S/C STD PRIMER





PHASE				
1	2	3	4	5
5	0	0	0	0

## 5 - LINTELS - 12L7

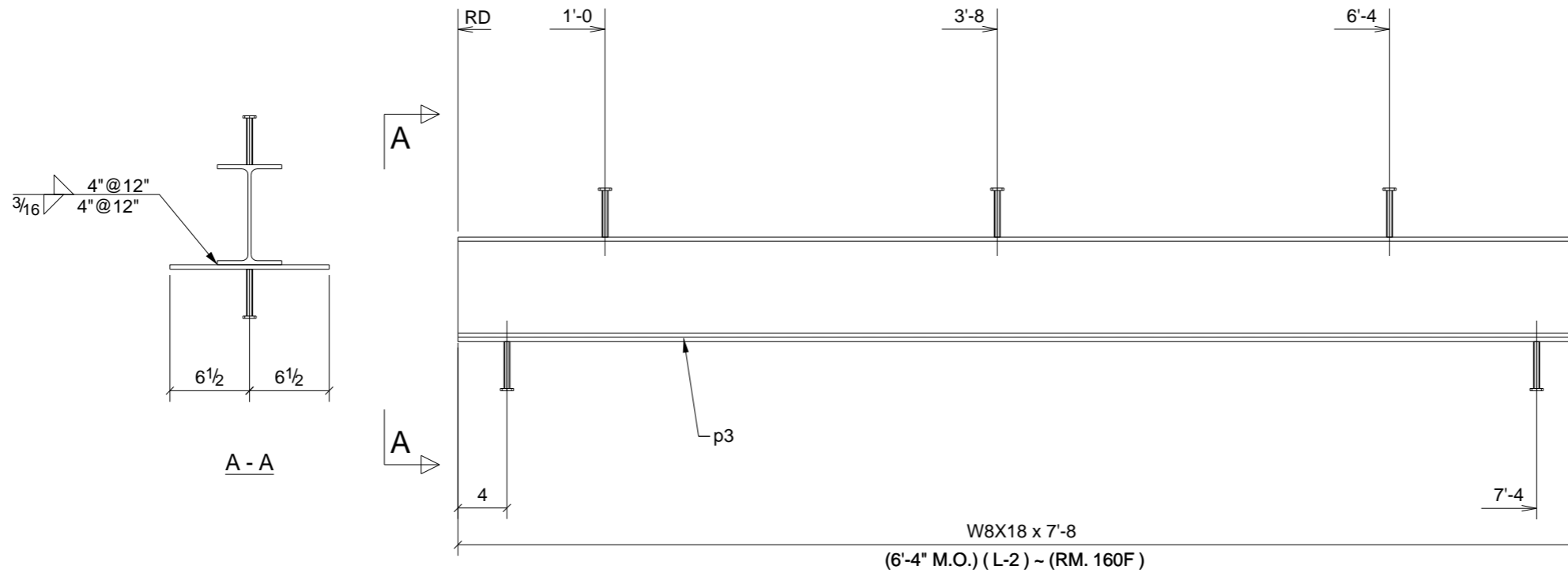
(3 ANGLES EACH LINTEL)

**GALVANIZED**

### BILL OF MATERIAL

SHIP	MARK	NO PCS	DESCRIPTION	LENGTH	PIECE MARK	REMARKS
5	12L7	5	L3-1/2X3-1/2X5/16	4'-0 3/8"		SQ-2 A36 GALVANIZED
		10	L3-1/2X3-1/2X5/16	4'-0 3/8"	a38	A36 GALVANIZED

A	For Approval	05/28/10	TMc	-
0	For Fabrication	6/11/10	TMc	TAN/TH
REV.	DESCRIPTION	DATE	DWN	CHK
<b>GENERAL NOTES</b>				JOB USE
MATERIAL: A992 / A36	ELECTRODES: E70XX LH	REF. DRG.		SHOP
HOLES: 13/16 DIA. U/N	CONN'S.: -			APPROVAL
SURFACE PREP. <b>SSPC-SP-2</b> AND PAINT: <b>GREY PRIMER DEVOE NA-195 (U.N.)</b>				
DESCRIPTION: <b>LINTEL</b>				
PROJECT NAME <b>Elda Elementary School Addition/Remodel</b> LOCATION <b>Elda Local School District - Hamilton, O</b>				
CONTRACTOR <b>Endeavor</b>				
<b>Avenue Fabricating Inc.</b> 1281 Clough Pike Batavia, OH 45103 (513) 752-1911			DRAWN BY TMc	DATE 05/25/2010
			CHKD. BY TAN/TH	DATE 06/10/2010
			JOB No. 10-10	DRG. No. 12L7 REV. 2



**ONE - LINTEL - 12L8**

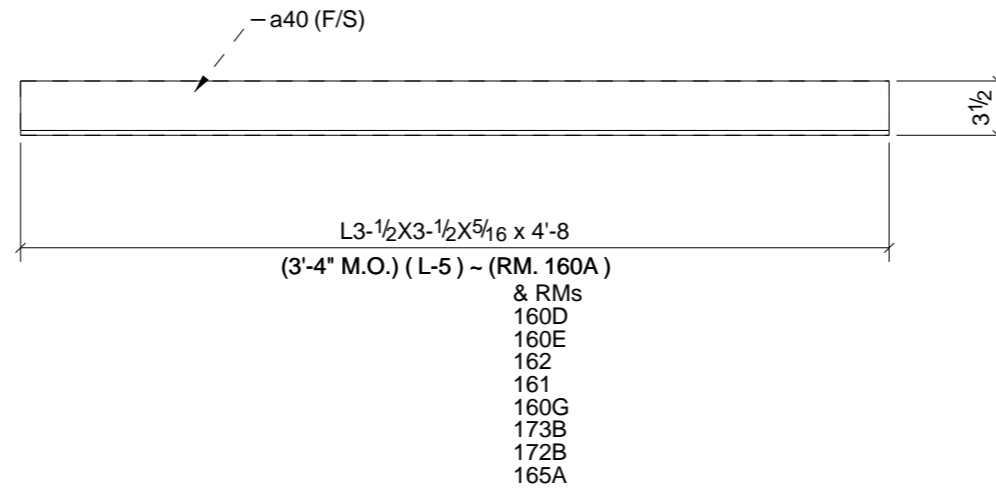
PHASE				
1	2	3	4	5
1	0	0	0	0

W	8 1/8" x 1/4"
F	5 1/4" x 5/16"

**BILL OF MATERIAL**

SHIP	MARK	NO PCS	DESCRIPTION	LENGTH	PIECE MARK	REMARKS
1	12L8	1	W8X18	7'-8"		SQ-2 A36 PRIMED
		1	PL3/8"X13"	7'-8"	p3	A36 PRIMED
		5	STUD 1/2" DIA	0'-4"		

A	For Approval	05/28/10	TMc	-
0	For Fabrication	6/11/10	TMc	TAN/TH
REV.	DESCRIPTION	DATE	DWN	CHK
<b>GENERAL NOTES</b>				JOB USE
MATERIAL: A992 / A36	ELECTRODES: E70XX LH	REF. DRG.		SHOP
HOLES: 13/16 DIA. U/N	CONN'S.: -			APPROVAL
SURFACE PREP: SSPC-SP-2 AND PAINT: GREY PRIMER DEVOE NA-195 (U.N.)				
DESCRIPTION: LINTEL				
PROJECT NAME: Elda Elementary School Addition/Remodel				
LOCATION: Elda Local School District - Hamilton, O				
CONTRACTOR: Endeavor				
<b>Avenue Fabricating Inc.</b> 1281 Clough Pike Batavia, OH 45103 (513) 752-1911			DRAWN BY	DATE
			TMc	05/25/2010
			CHKD. BY	DATE
			TAN/TH	06/10/2010
JOB No.	DRG. No.	REV.		
10-10	12L8	2		



PHASE				
1	2	3	4	5
9	0	0	0	0

## 9 - LINTELS - 12L9

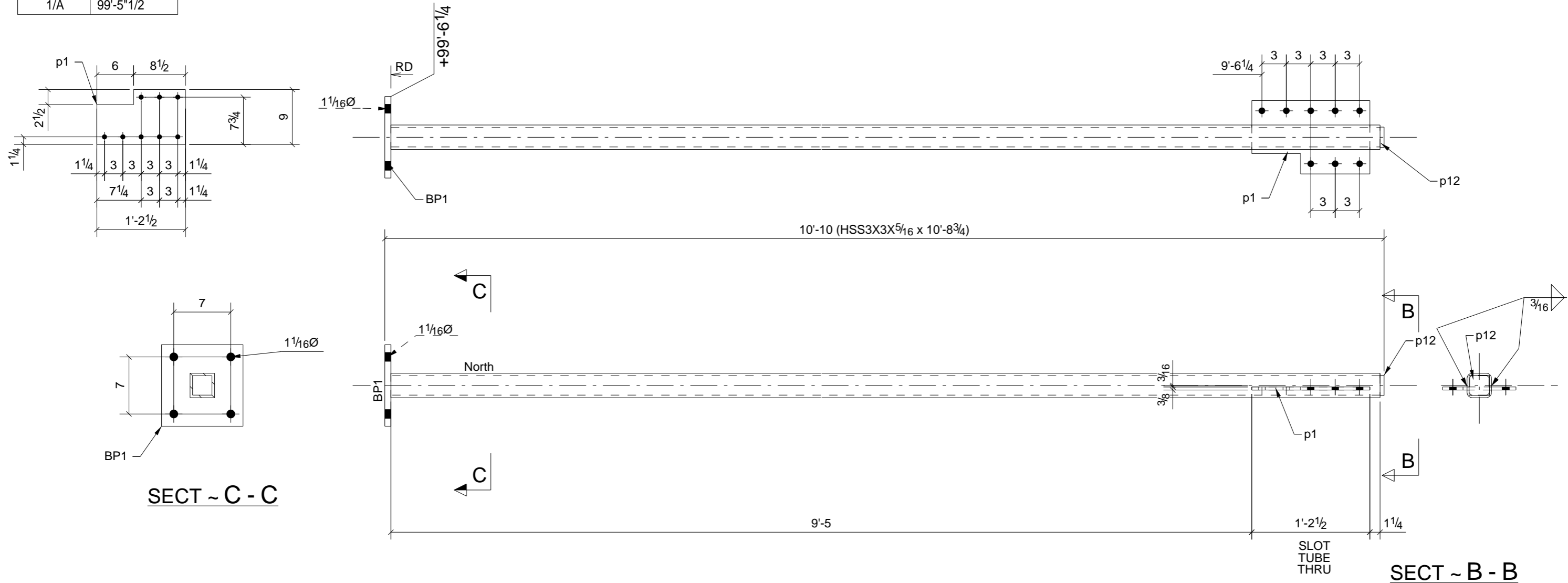
(2 ANGLES EACH LINTEL)

### BILL OF MATERIAL

SHIP	MARK	NO PCS	DESCRIPTION	LENGTH	PIECE MARK	REMARKS
9	12L9	9	L3-1/2X3-1/2X5/16	4'-8"		SQ-2 A36 PRIMED
		9	L3-1/2X3-1/2X5/16	4'-8"	a40	A36 PRIMED

A	For Approval	05/28/10	TMc	-
0	For Fabrication	6/11/10	TMc	TAN/TH
REV.	DESCRIPTION	DATE	DWN	CHK
<b>GENERAL NOTES</b>				JOB USE
MATERIAL: A992 / A36	ELECTRODES: E70XX LH	REF. DRG.		SHOP
HOLES: 13/16 DIA. U/N	CONN'S.: -			APPROVAL
SURFACE PREP. <b>SSPC-SP-2</b> AND PAINT: <b>GREY PRIMER DEVOE NA-195 (U.N.)</b>				
DESCRIPTION: <b>LINTEL</b>				
PROJECT NAME <b>Elda Elementary School Addition/Remodel</b>				
LOCATION <b>Elda Local School District - Hamilton, O</b>				
CONTRACTOR <b>Endeavor</b>				
<b>Avenue Fabricating Inc.</b> 1281 Clough Pike Batavia, OH 45103 (513) 752-1911			DRAWN BY TMc	DATE 05/25/2010
			CHKD. BY TAN/TH	DATE 06/10/2010
			JOB No. 10-10	DRG. No. 12L9 REV. 2

GRID LOCATION	BOTTOM ELEVATION
1/A	99'-5"1/2



PHASE				
1	2	3	4	5
1	0	0	0	0

**ONE - COLUMN - 13C1**

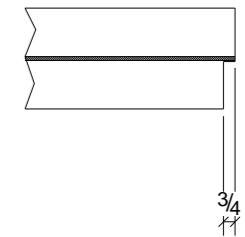
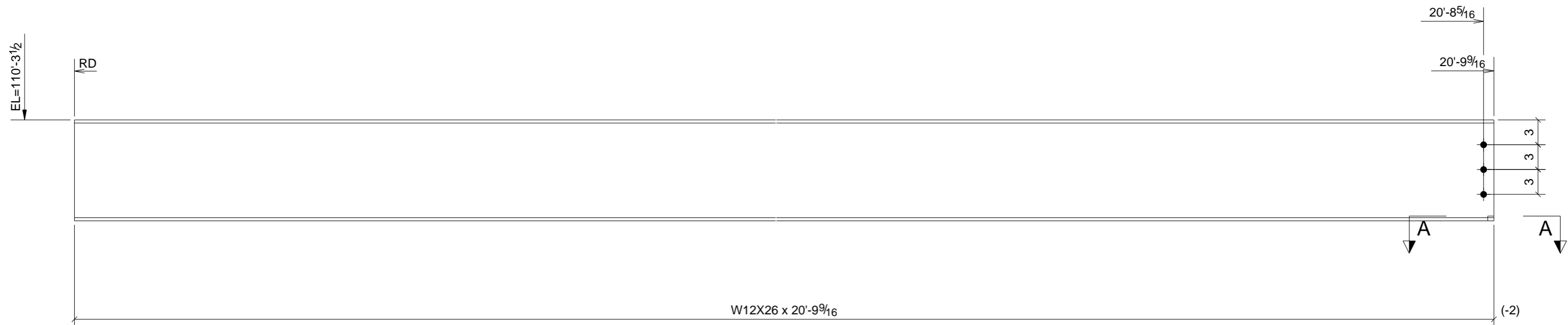
**BILL OF MATERIAL**

SHIP	MARK	NO PCS	DESCRIPTION	LENGTH	PIECE MARK	REMARKS
1	13C1	1	HSS3X3X5/16	10'-8 3/4"		SQ-2 A500-GR.B
		1	FL3/4"X10"	0'-10"	BP1	A36
		1	FL3/8"X9"	1'-2 1/2"	p1	A36
		1	FL1/2"X2 1/2"	0'-2 1/2"	p12	A36

A	For Approval	05/28/10	TMc	-
0	For Fabrication (ACAD copy)	6/24/10	TMc	TAN/TH
REV.	DESCRIPTION	DATE	DWN	CHK

GENERAL NOTES			JOB USE	
MATERIAL: A992 / A36	ELECTRODES: E70XX LH	REF. DRG.		
HOLES: 13/16 DIA. U/N	CONN'S.: -		SHOP	
SURFACE PREP: SSPC-SP-2 AND PAINT: GREY PRIMER DEVOE NA-195 (U.N.)			APPROVAL	
DESCRIPTION: COLUMN				
PROJECT NAME: Elda Elementary School Addition/Remodel				
LOCATION: Elda Local School District - Hamilton, O				
CONTRACTOR: Endeavor				

<b>Avenue Fabricating Inc.</b> 1281 Clough Pike Batavia, OH 45103 (513) 752-1911		DRAWN BY	DATE
		TMc	05/26/2010
		CHKD. BY	DATE
		TAN	06/24/2010
JOB No.	DRG. No.	REV.	
10-10E	13C1	2	



**SECTION ~ A - A**

**ONE - BEAM - 15B3**

PHASE				
1	2	3	4	5
1	0	0	0	0

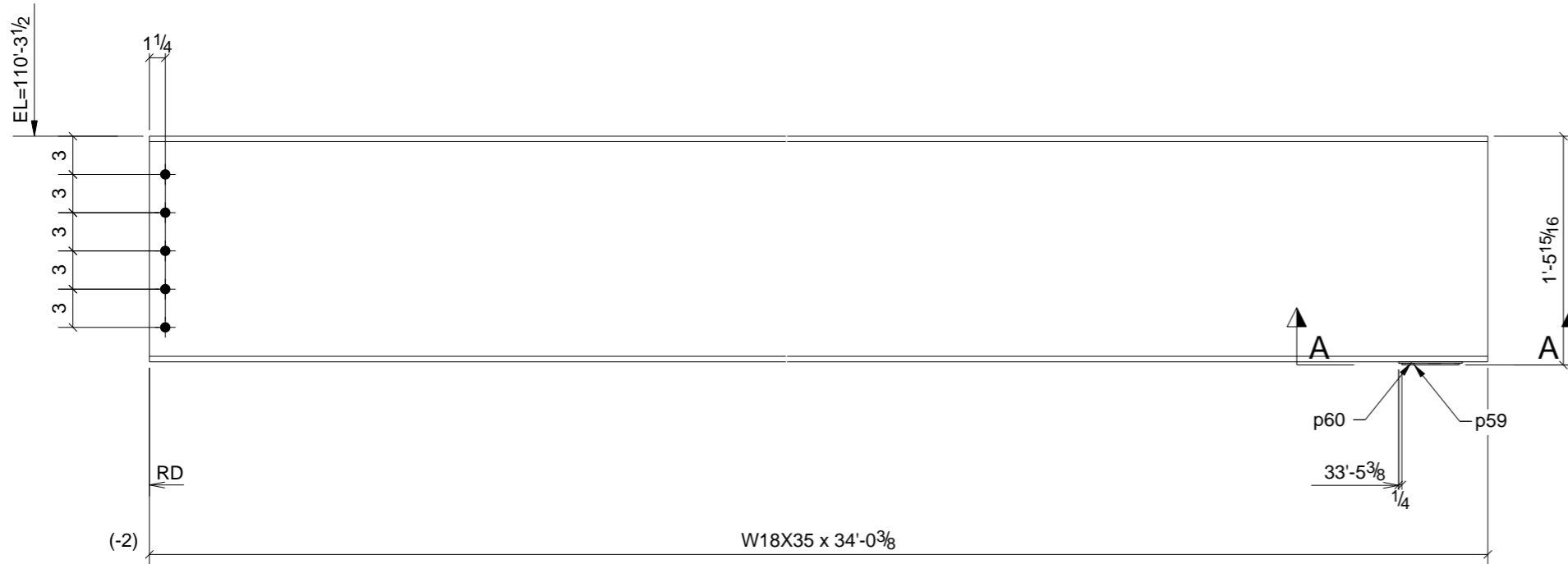
W	12 3/16" x 1/4"
F	6 1/2" x 3/8"

A	For Approval	05/28/10	TMc	-
0	For Fabrication (ACAD copy)	6/24/10	TMc	TAN/TH
REV.	DESCRIPTION	DATE	DWN	CHK

GENERAL NOTES			JOB USE	
MATERIAL: A992 / A36	ELECTRODES: E70XX LH	REF. DRG.	SHOP	
HOLES: 13/16 DIA. U/N	CONN'S.: -		APPROVAL	
SURFACE PREP. SSPC-SP-2 AND PAINT: GREY PRIMER DEVOE NA-195 (U.N.)				
DESCRIPTION: BEAM				
PROJECT NAME Eida Elementary School Addition/Remodel				
LOCATION Eida Local School District - Hamilton, O				
CONTRACTOR Endeavor				

BILL OF MATERIAL						
SHIP	MARK	NO PCS	DESCRIPTION	LENGTH	PIECE MARK	REMARKS
1	15B3	1	W12X26	20'-9 9/16"		SQ-2 A992

<b>Avenue Fabricating Inc.</b> 1281 Clough Pike Batavia, OH 45103 (513) 752-1911	DRAWN BY TMc	DATE 05/27/2010
	CHKD. BY TAN	DATE 06/24/2010
	JOB No. 10-10E	DRG. No. 15B3
		REV. 2



**SECTION ~ A - A**

**ONE - BEAM - 15B4**

PHASE				
1	2	3	4	5
1	0	0	0	0

W | 17 11/16" x 1/4"  
F | 6" x 7/16"

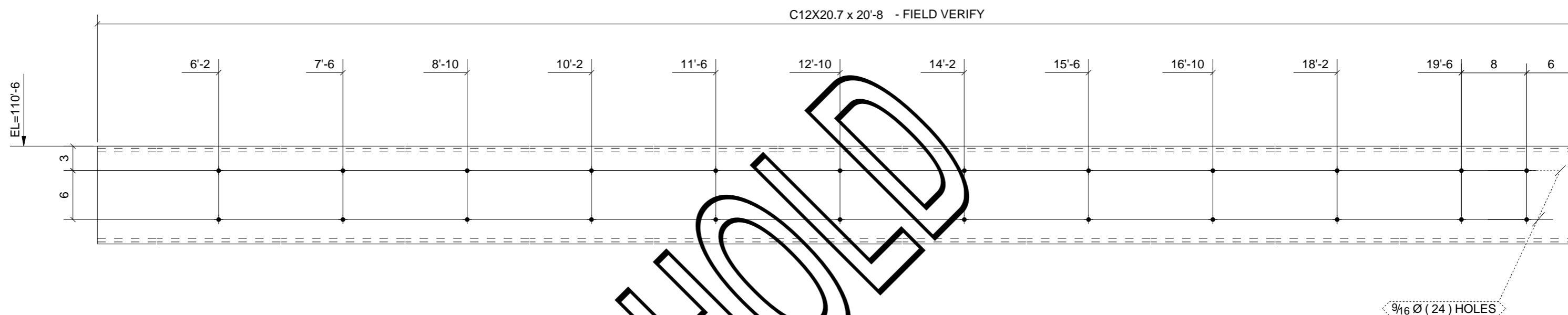
**BILL OF MATERIAL**

SHIP	MARK	NO PCS	DESCRIPTION	LENGTH	PIECE MARK	REMARKS
1	15B4	1	W18X35	34'-0 3/8"		SQ-2 A992
		1	FL1/8"X4 1/2"	0'-4 1/2"	p59	TEFLON TOP ELEMENT B
		1	FL1/8"X5"	0'-5"	p60	A36 TOP ELEMENT BOND

A	For Approval	05/28/10	TMc	-
0	For Fabrication (ACAD copy)	6/24/10	TMc	TAN/TH
REV.	DESCRIPTION	DATE	DWN	CHK
<b>GENERAL NOTES</b>				JOB USE
MATERIAL: A992 / A36		ELECTRODES: E70XX LH	REF. DRG.	
HOLES: 13/16 DIA. U/N		CONN'S.: -	SHOP	
SURFACE PREP: SSPC-SP-2 AND PAINT: GREY PRIMER DEVOE NA-195 (U.N.)			APPROVAL	
DESCRIPTION: BEAM				
PROJECT NAME: Elda Elementary School Addition/Remodel				
LOCATION: Elda Local School District - Hamilton, O				
CONTRACTOR: Endeavor				
<p style="text-align: center;"><b>Avenue Fabricating Inc.</b> 1281 Clough Pike Batavia, OH 45103 (513) 752-1911</p>			DRAWN BY	DATE
			TMc	05/27/2010
			CHKD. BY	DATE
			TAN	06/24/2010
JOB No.	DRG. No.	REV.		
10-10E	15B4	2		



RFI #	INFORMATION
DATE:	STATUS:
DESC.	



HOLD

ONE - CHANNEL - 15B5

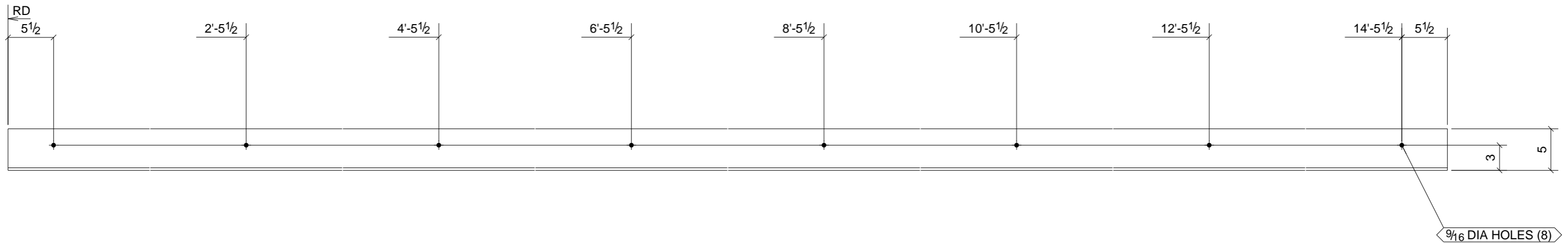
PHASE				
1	2	3	4	5
1	0	0	0	0

A	For Approval	05/28/10	TMc	-
0	For Fabrication (ACAD copy)	6/24/10	TMc	TAN/TH
REV.	DESCRIPTION	DATE	DWN	CHK

GENERAL NOTES			JOB USE
MATERIAL: A992 / A36	ELECTRODES: E70XX LH	REF. DRG.	
HOLES: 13/16 DIA. U/N	CONN'S.: -		SHOP
SURFACE PREP: SSPC-SP-2 AND PAINT: GREY PRIMER DEVOE NA-195 (U.N.)			APPROVAL
DESCRIPTION: CHANNEL			
PROJECT NAME: Eida Elementary School Addition/Remodel			
LOCATION: Eida Local School District - Hamilton, O			
CONTRACTOR: Endeavor			

BILL OF MATERIAL						
SHIP	MARK	NO PCS	DESCRIPTION	LENGTH	PIECE MARK	REMARKS
1	15B5	1	C12X20.7	20'-8"		SQ-2 A36

<b>Avenue Fabricating Inc.</b> 1281 Clough Pike Batavia, OH 45103 (513) 752-1911	DRAWN BY TMc	DATE 05/28/2010
	CHKD. BY TAN	DATE 06/24/2010
	JOB No. 10-10E	DRG. No. 15B5
		REV. 2



ONE - ANGLE - 17A13

PHASE				
1	2	3	4	5
1	0	0	0	0

A	For Approval	05/28/10	TMc	-
0	For Fabrication (ACAD copy)	6/24/10	TMc	TAN/TH
REV.	DESCRIPTION	DATE	DWN	CHK

**GENERAL NOTES**

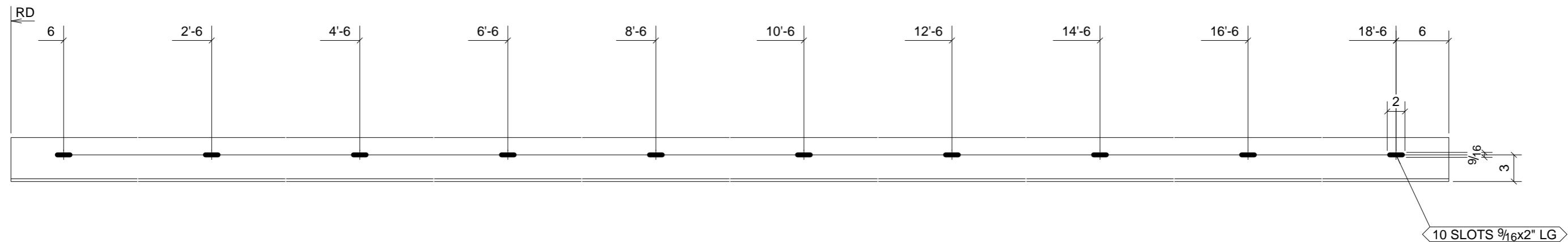
MATERIAL: A992 / A36	ELECTRODES: E70XX LH	REF. DRG.	JOB USE
HOLES: 13/16 DIA. U/N	CONN'S.: -		SHOP
SURFACE PREP. SSPC-SP-2 AND PAINT: GREY PRIMER DEVOE NA-195 (U.N.)			APPROVAL
DESCRIPTION: ANGLE			
PROJECT NAME Eida Elementary School Addition/Remodel			
LOCATION Eida Local School District - Hamilton, O			
CONTRACTOR Endeavor			

**BILL OF MATERIAL**

SHIP	MARK	NO PCS	DESCRIPTION	LENGTH	PIECE MARK	REMARKS
1	17A13	1	L5X5X5/16	14'-11"		SQ-2 A36

**Avenue Fabricating Inc.**  
 1281 Clough Pike  
 Batavia, OH 45103  
 (513) 752-1911

DRAWN BY TMc	DATE 05/28/2010
CHKD. BY TAN	DATE 06/24/2010
JOB No. 10-10E	DRG. No. 17A13
	REV. 2



PHASE				
1	2	3	4	5
1	0	0	0	0

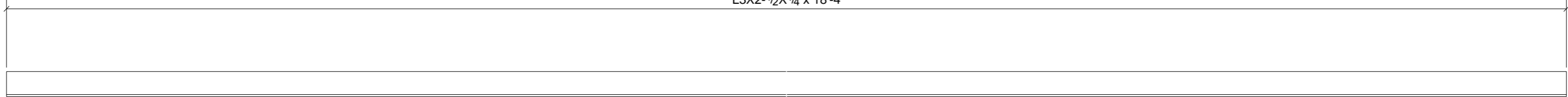
ONE - ANGLE - 17A14

A	For Approval	05/28/10	TMc	-
0	For Fabrication (ACAD copy)	6/24/10	TMc	TAN/TH
REV.	DESCRIPTION	DATE	DWN	CHK
<b>GENERAL NOTES</b>			JOB USE	
MATERIAL: A992 / A36	ELECTRODES: E70XX LH	REF. DRG.	SHOP	
HOLES: 13/16 DIA. U/N	CONN'S.: -		APPROVAL	
SURFACE PREP: SSPC-SP-2 AND PAINT: GREY PRIMER DEVOE NA-195 (U.N.)				
DESCRIPTION: ANGLE				
PROJECT NAME: Eida Elementary School Addition/Remodel				
LOCATION: Eida Local School District - Hamilton, O				
CONTRACTOR: Endeavor				
<b>Avenue Fabricating Inc.</b> 1281 Clough Pike Batavia, OH 45103 (513) 752-1911		DRAWN BY	DATE	
		TMc	05/28/2010	
		CHKD. BY	DATE	
TAN	06/24/2010			
JOB No.	DRG. No.	REV.		
10-10E	17A14	2		

**BILL OF MATERIAL**

SHIP	MARK	NO PCS	DESCRIPTION	LENGTH	PIECE MARK	REMARKS
1	17A14	1	L5X5X5/16	19'-0"		SQ-2 A36

L3X2-1/2X1/4 x 18'-4"



ONE - ANGLE - 17A15

PHASE				
1	2	3	4	5
1	0	0	0	0

A	For Approval	05/28/10	TMc	-
0	For Fabrication (ACAD copy)	6/24/10	TMc	TAN/TH
REV.	DESCRIPTION	DATE	DWN	CHK

**GENERAL NOTES**

MATERIAL: A992 / A36	ELECTRODES: E70XX LH	REF. DRG.	JOB USE
HOLES: 13/16 DIA. U/N	CONN'S.: -		SHOP
SURFACE PREP. SSPC-SP-2 AND PAINT: GREY PRIMER DEVOE NA-195 (U.N.)			APPROVAL
DESCRIPTION: ANGLE			
PROJECT NAME Eida Elementary School Addition/Remodel			
LOCATION Eida Local School District - Hamilton, O			
CONTRACTOR Endeavor			

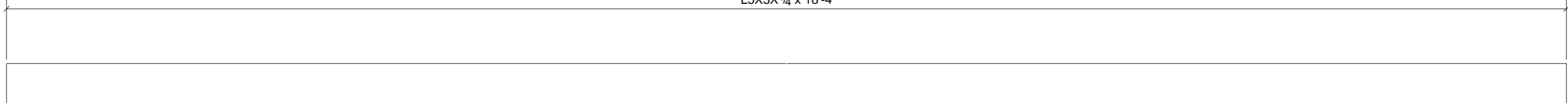
**BILL OF MATERIAL**

SHIP	MARK	NO PCS	DESCRIPTION	LENGTH	PIECE MARK	REMARKS
1	17A15	1	L3X2-1/2X1/4	18'-4"		SQ-2 A36

**Avenue Fabricating Inc.**  
 1281 Clough Pike  
 Batavia, OH 45103  
 (513) 752-1911

DRAWN BY TMc	DATE 05/28/2010
CHKD. BY TAN	DATE 06/24/2010
JOB No. 10-10E	DRG. No. 17A15
	REV. 2

L5X3X1/4 x 18'-4



ONE - ANGLE - 17A16

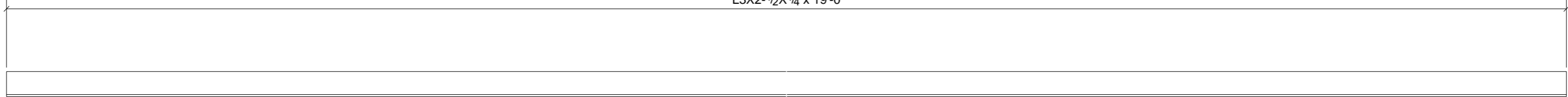
PHASE				
1	2	3	4	5
1	0	0	0	0

A	For Approval	05/28/10	TMc	-
0	For Fabrication (ACAD copy)	6/24/10	TMc	TAN/TH
REV.	DESCRIPTION	DATE	DWN	CHK
<b>GENERAL NOTES</b>			JOB USE	
MATERIAL: A992 / A36	ELECTRODES: E70XX LH	REF. DRG.	SHOP	
HOLES: 13/16 DIA. U/N	CONN'S.: -		APPROVAL	
SURFACE PREP. <b>SSPC-SP-2</b> AND PAINT: <b>GREY PRIMER DEVOE NA-195 (U.N.)</b>				
DESCRIPTION: <b>ANGLE</b>				
PROJECT NAME <b>Elda Elementary School Addition/Remodel</b>				
LOCATION <b>Elda Local School District - Hamilton, O</b>				
CONTRACTOR <b>Endeavor</b>				
<b>Avenue Fabricating Inc.</b> 1281 Clough Pike Batavia, OH 45103 (513) 752-1911		DRAWN BY	DATE	
		TMc	05/28/2010	
		CHKD. BY	DATE	
TAN	06/24/2010			
JOB No.	DRG. No.	REV.		
10-10E	17A16	2		

**BILL OF MATERIAL**

SHIP	MARK	NO PCS	DESCRIPTION	LENGTH	PIECE MARK	REMARKS
1	17A16	1	L5X3X1/4	18'-4"		SQ-2 A36

L3X2-1/2X1/4 x 19'-0



ONE - ANGLE - 17A17

PHASE				
1	2	3	4	5
1	0	0	0	0

A	For Approval	05/28/10	TMc	-
0	For Fabrication (ACAD copy)	6/24/10	TMc	TAN/TH
REV.	DESCRIPTION	DATE	DWN	CHK

**GENERAL NOTES**

MATERIAL: A992 / A36	ELECTRODES: E70XX LH	REF. DRG.	JOB USE
HOLES: 13/16 DIA. U/N	CONN'S.: -		SHOP
SURFACE PREP. SSPC-SP-2 AND PAINT: GREY PRIMER DEVOE NA-195 (U.N.)			APPROVAL
DESCRIPTION: ANGLE			
PROJECT NAME Eida Elementary School Addition/Remodel			
LOCATION Eida Local School District - Hamilton, O			
CONTRACTOR Endeavor			

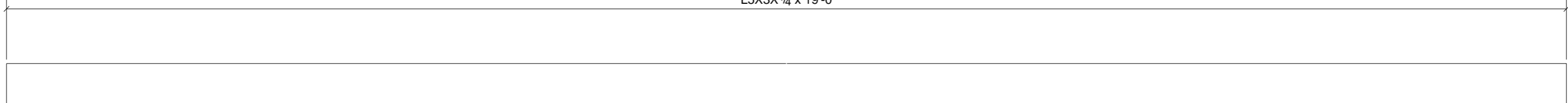
**BILL OF MATERIAL**

SHIP	MARK	NO PCS	DESCRIPTION	LENGTH	PIECE MARK	REMARKS
1	17A17	1	L3X2-1/2X1/4	19'-0"		SQ-2 A36

**Avenue Fabricating Inc.**  
 1281 Clough Pike  
 Batavia, OH 45103  
 (513) 752-1911

DRAWN BY TMc	DATE 05/28/2010
CHKD. BY TAN	DATE 06/24/2010
JOB No. 10-10E	DRG. No. 17A17
	REV. 2

L5X3X1/4 x 19'-0



ONE - ANGLE - 17A18

PHASE				
1	2	3	4	5
1	0	0	0	0

A	For Approval	05/28/10	TMc	-
0	For Fabrication (ACAD copy)	6/24/10	TMc	TAN/TH
REV.	DESCRIPTION	DATE	DWN	CHK

**GENERAL NOTES**

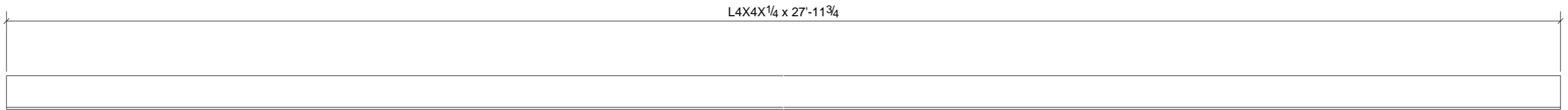
MATERIAL: A992 / A36	ELECTRODES: E70XX LH	REF. DRG.	JOB USE
HOLES: 13/16 DIA. U/N	CONN'S.: -		SHOP
SURFACE PREP. SSPC-SP-2 AND PAINT: GREY PRIMER DEVOE NA-195 (U.N.)			APPROVAL
DESCRIPTION: ANGLE			
PROJECT NAME Eida Elementary School Addition/Remodel			
LOCATION Eida Local School District - Hamilton, O			
CONTRACTOR Endeavor			

**BILL OF MATERIAL**

SHIP	MARK	NO PCS	DESCRIPTION	LENGTH	PIECE MARK	REMARKS
1	17A18	1	L5X3X1/4	19'-0"		SQ-2 A36

**Avenue Fabricating Inc.**  
 1281 Clough Pike  
 Batavia, OH 45103  
 (513) 752-1911

DRAWN BY TMc	DATE 05/28/2010
CHKD. BY TAN	DATE 06/24/2010
JOB No. 10-10E	DRG. No. 17A18
	REV. 2



L4X4X<sup>1</sup>/<sub>4</sub> x 27'-11<sup>3</sup>/<sub>4</sub>

2 - ANGLES - 17A19

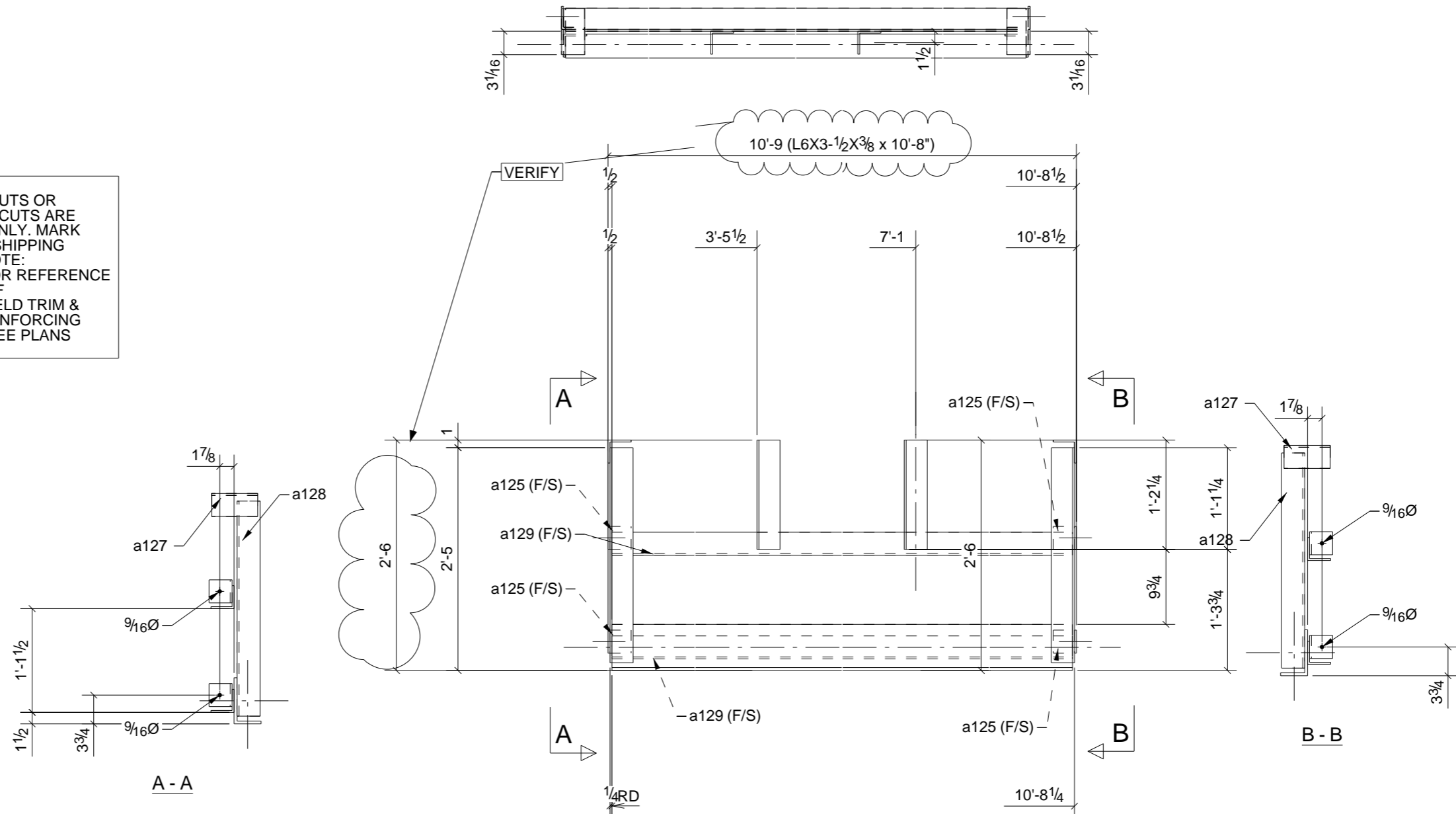
PHASE				
1	2	3	4	5
2	0	0	0	0

0	For Fabrication (ACAD copy)	6/24/10	TMc	TAN/TH
REV.	DESCRIPTION	DATE	DWN	CHK
<b>GENERAL NOTES</b>			JOB USE	
MATERIAL: A992 / A36	ELECTRODES: E70XX LH	REF. DRG.	SHOP	
HOLES: 13/16 DIA. U/N	CONN'S.: -		APPROVAL	
SURFACE PREP. SSPC-SP-2 AND PAINT: GREY PRIMER DEVOE NA-195 (U.N.)				
DESCRIPTION: ANGLE				
PROJECT NAME Eida Elementary School Addition/Remodel				
LOCATION Eida Local School District - Hamilton, O				
CONTRACTOR Endeavor				
<b>Avenue Fabricating Inc.</b> 1281 Clough Pike Batavia, OH 45103 (513) 752-1911		DRAWN BY	DATE	
		TMc	05/28/2010	
		CHKD. BY	DATE	
TAN	06/24/2010			
JOB No.	DRG. No.	REV.		
10-10E	17A19	1		

BILL OF MATERIAL						
SHIP	MARK	NO PCS	DESCRIPTION	LENGTH	PIECE MARK	REMARKS
2	17A19	2	L4X4X1/4	27'-11 3/4"		SQ-2 A36



SHOP NOTE:  
 ALL MATERIAL IS PLAIN, ANY CUTS OR  
 COPE OTHER THAN SQUARE CUTS ARE  
 FOR DRAFTING REFERENCE ONLY. MARK  
 ASSEMBY & SUB MARKS FOR SHIPPING  
 APPROVER / CONTRACTOR NOTE:  
 OVERALL DIMENSIONS ARE FOR REFERENCE  
 TO REQUEST VERIFICATION OF  
 SUFFICIENT MATERIAL FOR FIELD TRIM &  
 WELDING ROOF MEMBERS REINFORCING  
 HVAC DUCTS & EQUIPMENT, SEE PLANS  
 FOR ASSY MARK.



PHASE				
1	2	3	4	5
0	6	0	0	0
0	0	0	0	0
0	0	0	0	0
0	0	0	0	0
0	0	0	0	0
0	0	0	0	0

## 6 - ANGLE FRAMES - 27M21

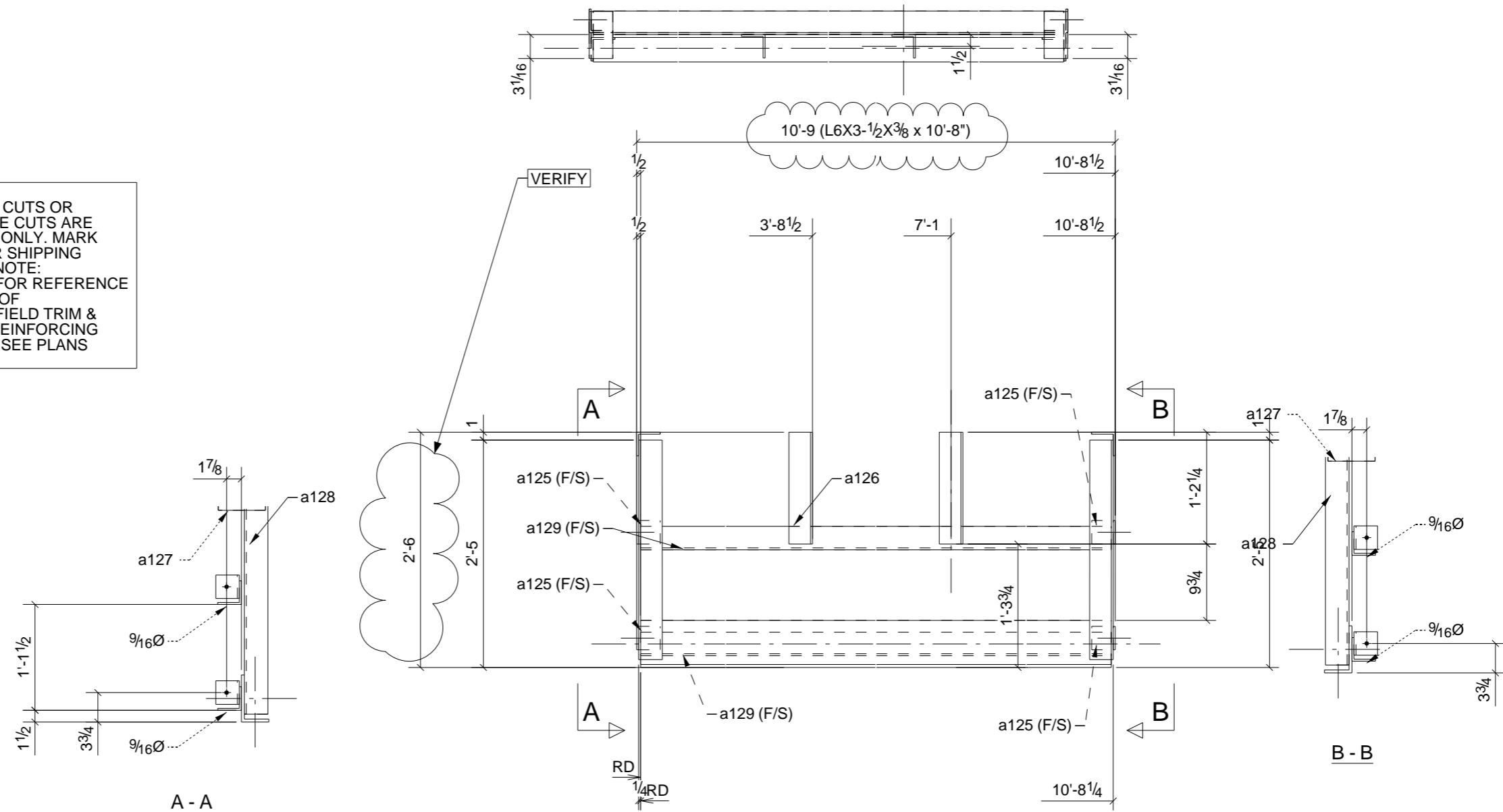
**GALVANIZED**

### BILL OF MATERIAL

SHIP	MARK	NO PCS	DESCRIPTION	LENGTH	PIECE MARK	REMARKS
6	27A32	6	L3X3X1/4	1'-2 1/4"		SQ-2 A36 GALVANIZED
6	27M21	6	L6X3-1/2X3/8	10'-8"		SQ-2 A36 GALVANIZED
		24	L3X3X1/4	0'-3"	a125	A36 GALVANIZED
		6	L3X3X1/4	1'-2 1/4"	a126	A36 GALVANIZED
		12	L3X3X1/4	0'-6"	a127	A36 GALVANIZED
		12	L3X3X1/4	2'-4"	a128	A36 GALVANIZED
		12	L3X3X1/4	10'-8"	a129	A36 GALVANIZED

A	For Approval	06/28/10	TMc	-
REV.	DESCRIPTION	DATE	DWN	CHK
<b>GENERAL NOTES</b>		JOB USE		
MATERIAL: A992 / A36	ELECTRODES: E70XX LH	REF. DRG.		
HOLES: 13/16 DIA. U/N	CONN'S.: -	SHOP		
SURFACE PREP. SSPC-SP-2 AND PAINT: GREY PRIMER DEVOE NA-195 (U.N.)		APPROVAL		
DESCRIPTION: WINDOW FRAME				
PROJECT NAME: Elda Elementary School Addition/Remodel				
LOCATION: Elda Local School District - Hamilton, O				
CONTRACTOR: Endeavor				
<b>Avenue Fabricating Inc.</b> 1281 Clough Pike Batavia, OH 45103 (513) 752-1911		DRAWN BY	DATE	
		TMc	06/29/2010	
		CHKD. BY	DATE	
TAN				
JOB No.	DRG. No.	REV.		
10-11E	27M21	1		

SHOP NOTE:  
 ALL MATERIAL IS PLAIN, ANY CUTS OR  
 COPEs OTHER THAN SQUARE CUTS ARE  
 FOR DRAFTING REFERENCE ONLY. MARK  
 ASSEMBLY & SUB MARKS FOR SHIPPING  
 APPROVER / CONTRACTOR NOTE:  
 OVERALL DIMENSIONS ARE FOR REFERENCE  
 TO REQUEST VERIFICATION OF  
 SUFFICIENT MATERIAL FOR FIELD TRIM &  
 WELDING ROOF MEMBERS REINFORCING  
 HVAC DUCTS & EQUIPMENT, SEE PLANS  
 FOR ASSY MARK.



PHASE				
1	2	3	4	5
0	14	0	0	0
0	0	0	0	0
0	0	0	0	0
0	0	0	0	0
0	0	0	0	0
0	0	0	0	0
0	0	0	0	0
0	0	0	0	0
0	0	0	0	0
0	0	0	0	0

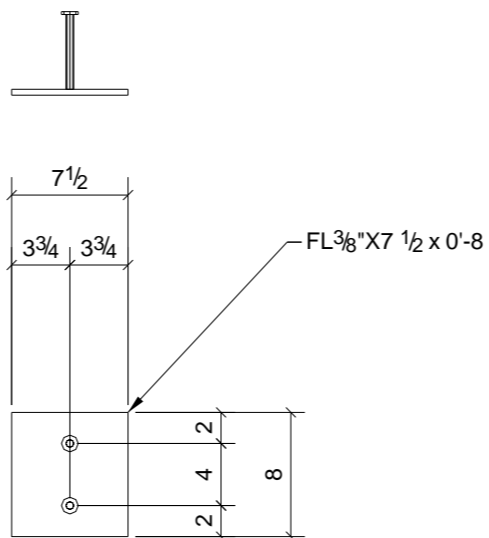
## 14 - ANGLE FRAMES - 27M20

**GALVANIZED**

### BILL OF MATERIAL

SHIP	MARK	NO PCS	DESCRIPTION	LENGTH	PIECE MARK	REMARKS
8	27A31	8	L3X3X1/4	1'-2 1/4"		SQ-2 A36 GALVANIZED
14	27M20	14	L6X3-1/2X3/8	10'-8"		SQ-2 A36 GALVANIZED
		56	L3X3X1/4	0'-3"	a125	A36 GALVANIZED
		14	L3X3X1/4	1'-2 1/4"	a126	A36 GALVANIZED
		28	L3X3X1/4	0'-6"	a127	A36 GALVANIZED
		28	L3X3X1/4	2'-4"	a128	A36 GALVANIZED
		28	L3X3X1/4	10'-8"	a129	A36 GALVANIZED

A	For Approval	06/28/10	TMc	-
REV.	DESCRIPTION	DATE	DWN	CHK
<b>GENERAL NOTES</b>		JOB USE		
MATERIAL: A992 / A36	ELECTRODES: E70XX LH	REF. DRG.		
HOLES: 13/16 DIA. U/N	CONN'S.: -	SHOP		
SURFACE PREP. SSPC-SP-2 AND PAINT: GREY PRIMER DEVOE NA-195 (U.N.)		APPROVAL		
DESCRIPTION: WINDOW FRAME		PROJECT NAME: Elda Elementary School Addition/Remodel		
LOCATION: Elda Local School District - Hamilton, O		CONTRACTOR: Endeavor		
<b>Avenue Fabricating Inc.</b> 1281 Clough Pike Batavia, OH 45103 (513) 752-1911		DRAWN BY	DATE	
		TMc	06/29/2010	
		CHKD. BY	DATE	
TAN				
JOB No.	DRG. No.	REV.		
10-11E	27M20	1		



PHASE				
1	2	3	4	5
0	20	0	0	0

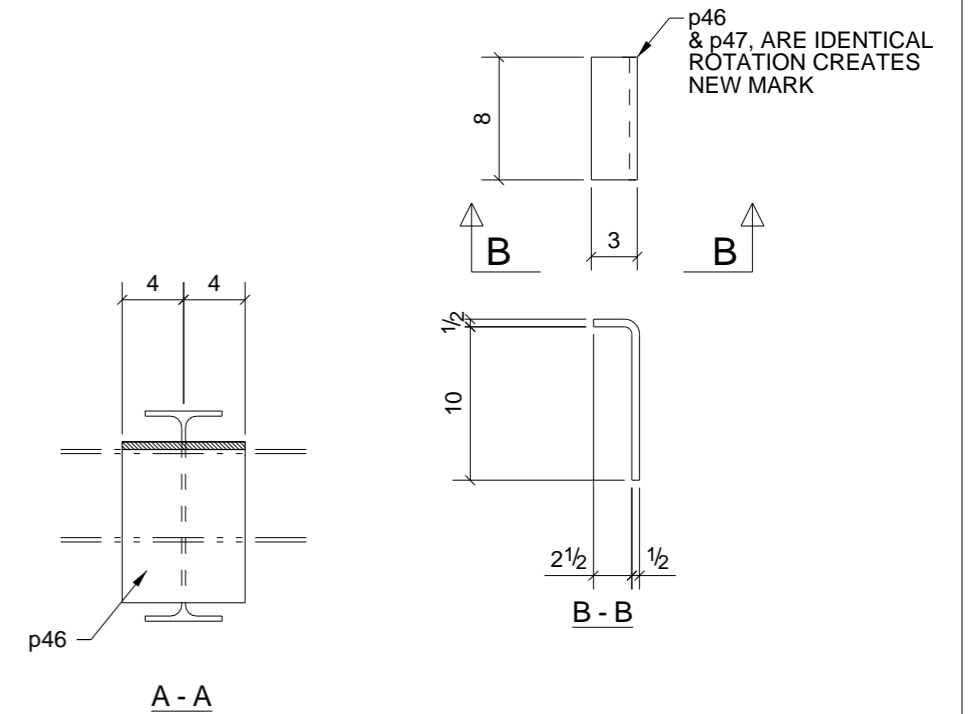
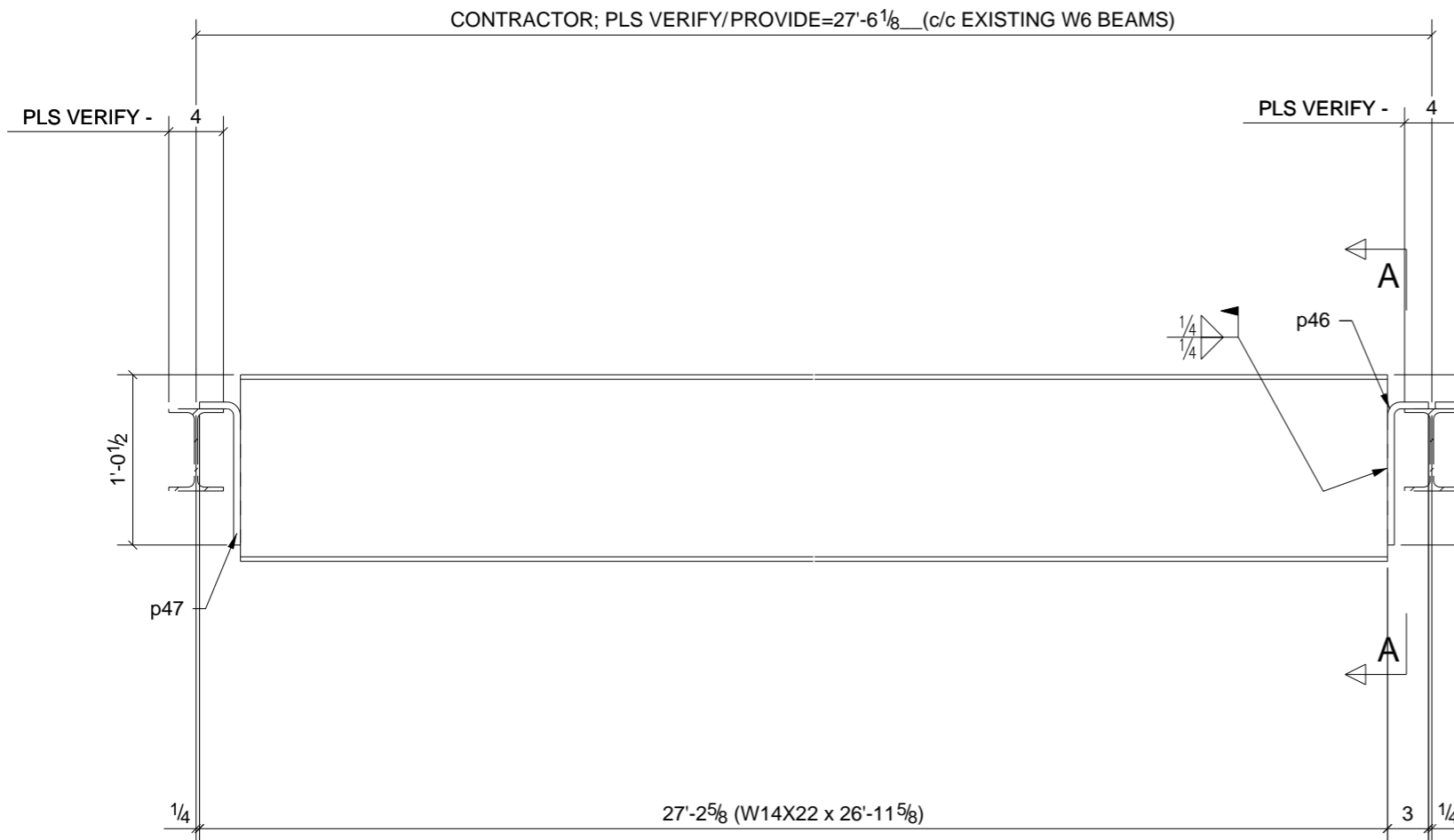
**20 - EMBEDS - 21P1**

**NO PAINT**

**BILL OF MATERIAL**

SHIP	MARK	NO PCS	DESCRIPTION	LENGTH	PIECE MARK	REMARKS
20	21P1	20	FL3/8"X7 1/2"	0'-8"		SQ-2 A36
		40	STUD 1/2" DIA	0'-5"		

A	For Approval	06/28/10	TMc	-
REV.	DESCRIPTION	DATE	DWN	CHK
<b>GENERAL NOTES</b>			JOB USE	
MATERIAL: A992 / A36	ELECTRODES: E70XX LH	REF. DRG.	SHOP	
HOLES: 13/16 DIA. U/N	CONN'S.: -		APPROVAL	
SURFACE PREP. <b>SSPC-SP-2</b> AND PAINT: <b>GREY PRIMER DEVOE NA-195 (U.N.)</b>				
DESCRIPTION: <b>EMBED PLATE</b>				
PROJECT NAME <b>Elda Elementary School Addition/Remodel</b>				
LOCATION <b>Elda Local School District - Hamilton, O</b>				
CONTRACTOR <b>Endeavor</b>				
<b>Avenue Fabricating Inc.</b> 1281 Clough Pike Batavia, OH 45103 (513) 752-1911			DRAWN BY	DATE
			TMc	06/29/2010
			CHKD. BY	DATE
			TAN	
JOB No.	DRG. No.	REV.		
10-11E	21P1	1		



PHASE				
1	2	3	4	5
0	2	0	0	0

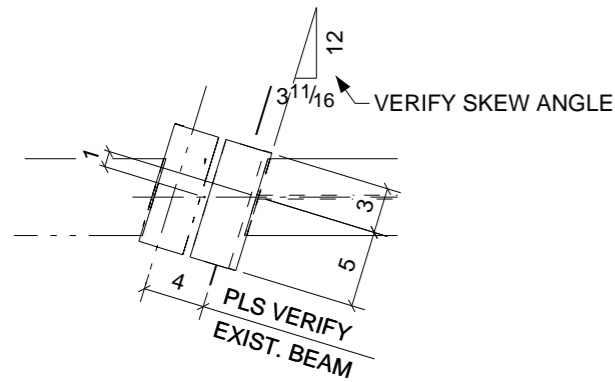
## 2 - BEAMS - 25B1

W	13 11/16" x 1/4"
F	5" x 5/16"

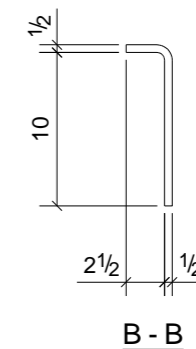
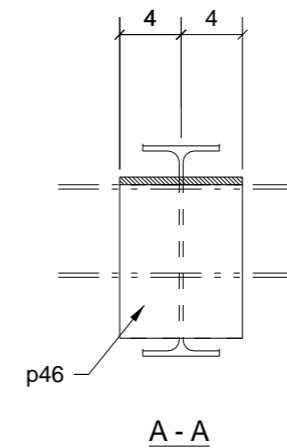
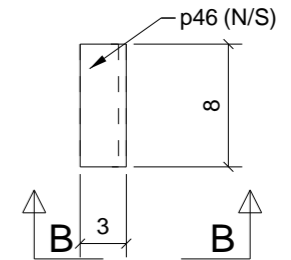
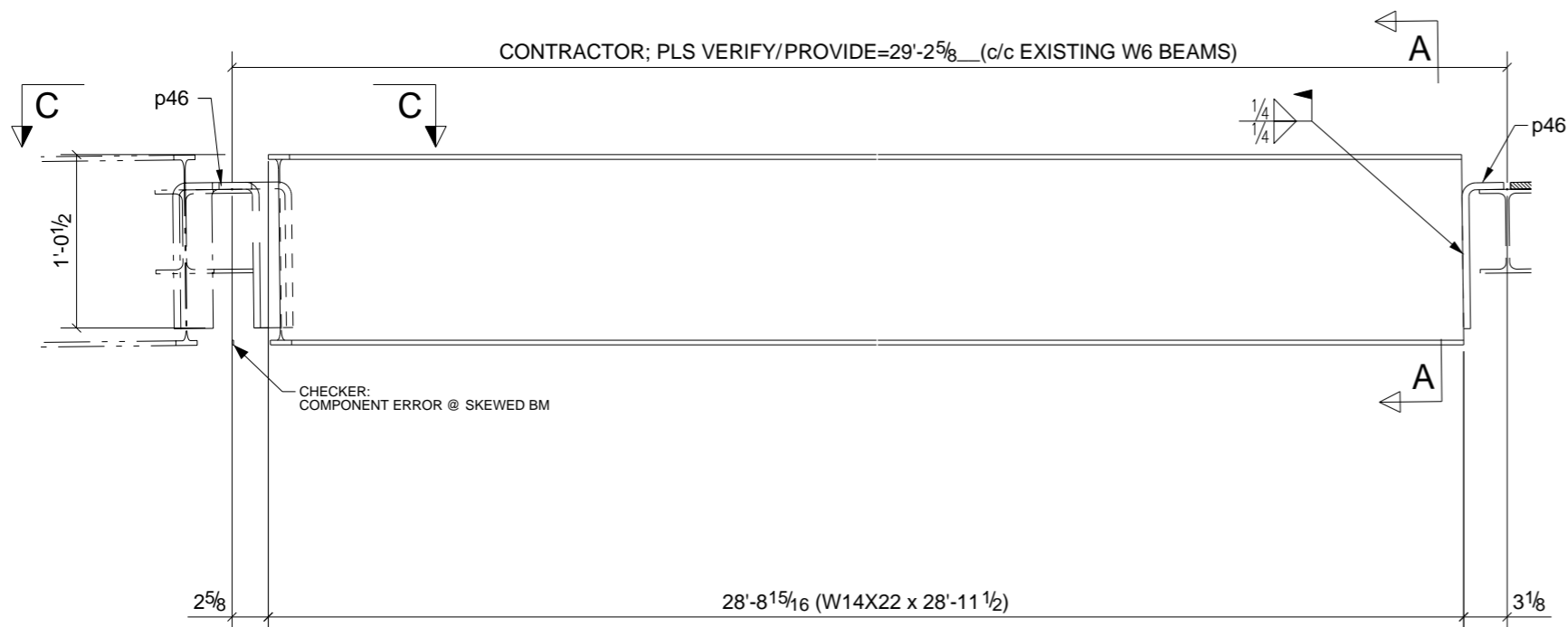
### BILL OF MATERIAL

SHIP	MARK	NO PCS	DESCRIPTION	LENGTH	PIECE MARK	REMARKS
2	25B1	2	W14X22	26'-11 5/8"		SQ-2 A992 PRIMED
		2	BT PL 1/2X8	1'-0 5/16"	p46	A36 PRIMED
		2	BT PL 1/2X8	1'-0 5/16"	p47	A36 PRIMED

A	For Approval	06/28/10	TMc	-
REV.	DESCRIPTION	DATE	DWN	CHK
<b>GENERAL NOTES</b>			JOB USE	
MATERIAL: A992 / A36	ELECTRODES: E70XX LH	REF. DRG.		
HOLES: 13/16 DIA. U/N	CONN'S.: -	SHOP		
SURFACE PREP. <b>SSPC-SP-2</b>		APPROVAL		
AND PAINT: <b>GREY PRIMER DEVOE NA-195 (U.N.)</b>				
DESCRIPTION: <b>BEAM</b>				
PROJECT NAME <b>Elda Elementary School Addition/Remodel</b>				
LOCATION <b>Elda Local School District - Hamilton, O</b>				
CONTRACTOR <b>Endeavor</b>				
<b>Avenue Fabricating Inc.</b> 1281 Clough Pike Batavia, OH 45103 (513) 752-1911		DRAWN BY		DATE
		TMc		06/28/2010
		CHKD. BY		DATE
		TAN		
JOB No. 10-10		DRG. No. 25B1	REV. 1	



**SECTION ~ C - C**



PHASE				
1	2	3	4	5
0	1	0	0	0

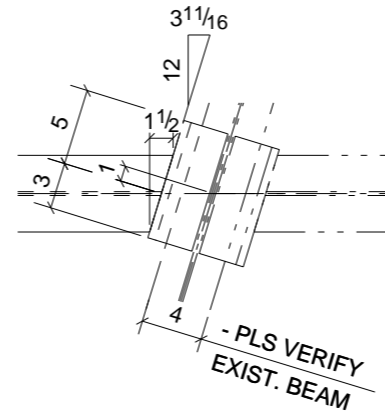
**ONE - BEAM - 25B10**

W	13 11/16" x 1/4"
F	5" x 5/16"

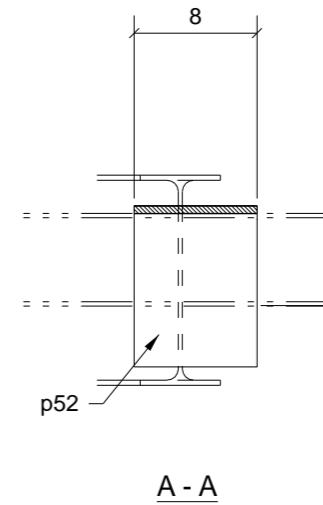
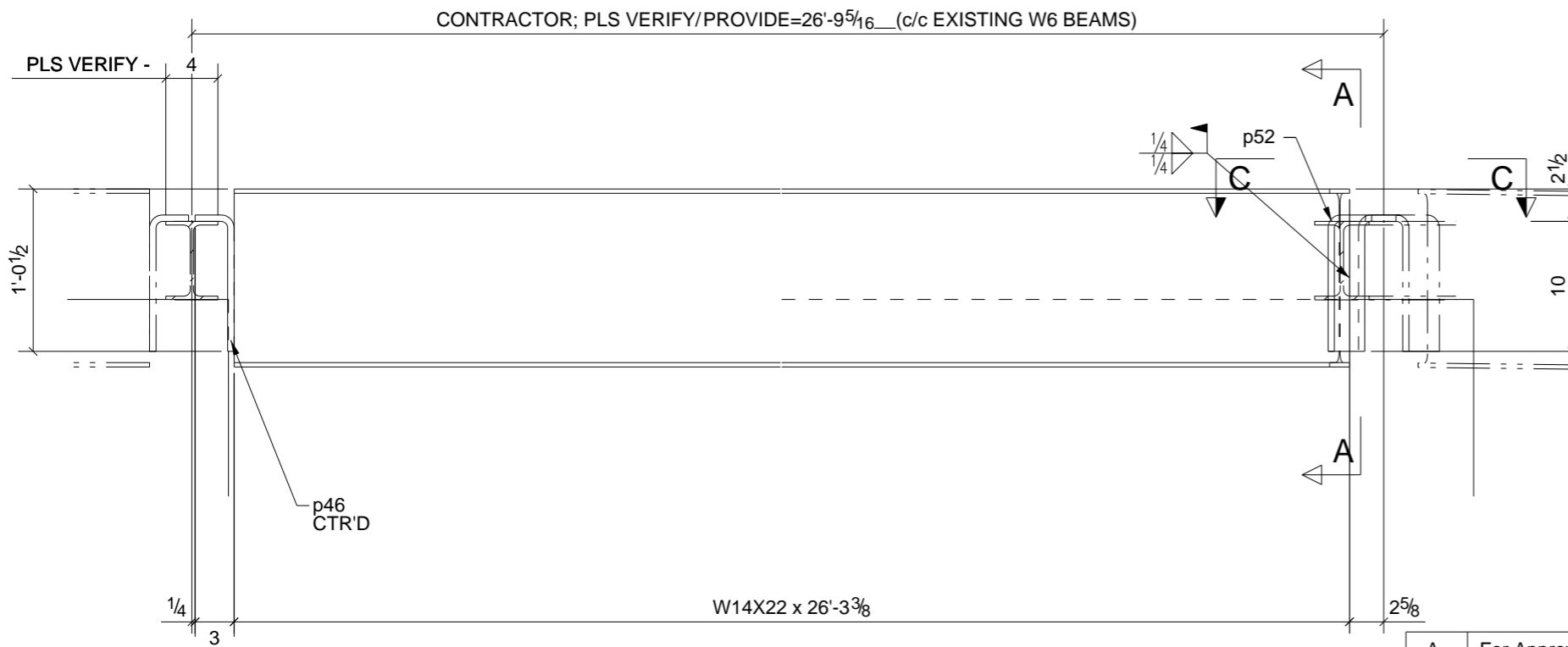
A	For Approval	06/28/10	TMc	-
REV.	DESCRIPTION	DATE	DWN	CHK
<b>GENERAL NOTES</b>		JOB USE		
MATERIAL: A992 / A36	ELECTRODES: E70XX LH	REF. DRG.		
HOLES: 13/16 DIA. U/N	CONN'S.: -	SHOP		
SURFACE PREP. SSPC-SP-2 AND PAINT: GREY PRIMER DEVOE NA-195 (U.N.)		APPROVAL		
DESCRIPTION: BEAM				
PROJECT NAME Elda Elementary School Addition/Remodel				
LOCATION Elda Local School District - Hamilton, O				
CONTRACTOR Endeavor				
<b>Avenue Fabricating Inc.</b> 1281 Clough Pike Batavia, OH 45103 (513) 752-1911		DRAWN BY	DATE	
		TMc	06/28/2010	
		CHKD. BY	DATE	
TAN				
JOB No.	DRG. No.	REV.		
10-10	25B10	1		

**BILL OF MATERIAL**

SHIP	MARK	NO PCS	DESCRIPTION	LENGTH	PIECE MARK	REMARKS
1	25B10	1	W14X22	28'-11 1/2"		SQ-1/BEV-1 A992 PRIMED
		2	BT PL 1/2X8	1'-0 5/16"	p46	A36 PRIMED



**SECTION ~ C - C**



**ONE - BEAM - 25B11**

PHASE				
1	2	3	4	5
0	1	0	0	0

W | 13 11/16" x 1/4"  
F | 5" x 5/16"

A	For Approval	06/28/10	TMc	-
REV.	DESCRIPTION	DATE	DWN	CHK

**GENERAL NOTES**

MATERIAL: A992 / A36	ELECTRODES: E70XX LH	REF. DRG.	JOB USE
HOLES: 13/16 DIA. U/N	CONN'S.: -		SHOP
SURFACE PREP. <b>SSPC-SP-2</b> AND PAINT: <b>GREY PRIMER DEVOE NA-195 (U.N.)</b>			APPROVAL

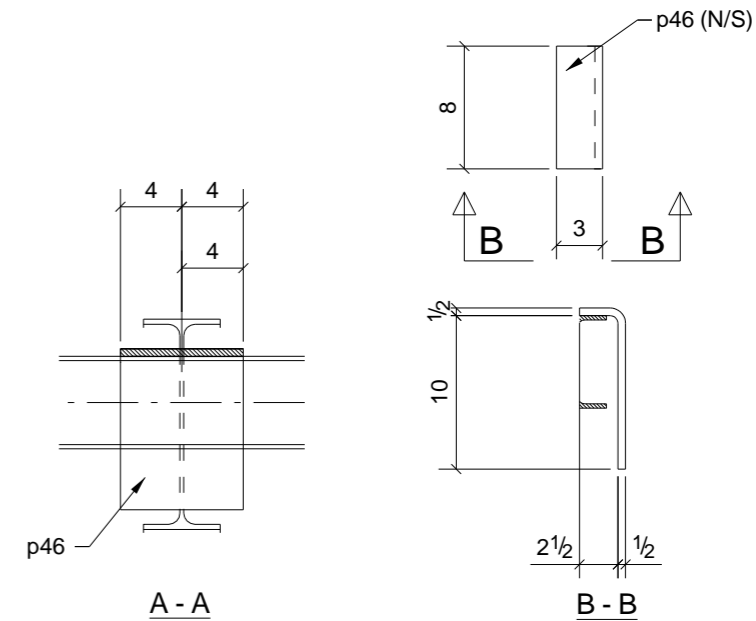
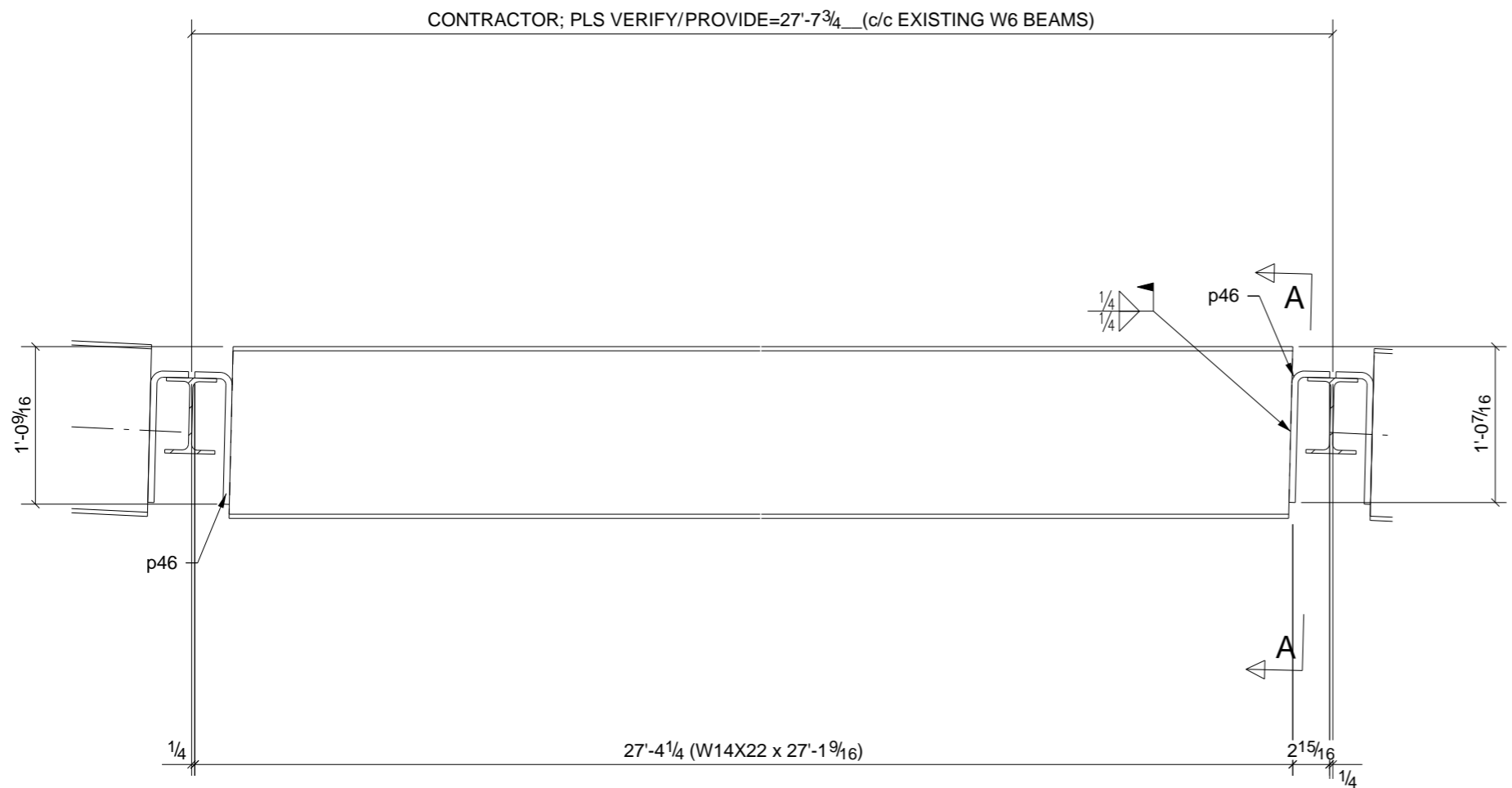
DESCRIPTION:	BEAM
PROJECT NAME	Elda Elementary School Addition/Remodel
LOCATION	Elda Local School District - Hamilton, O
CONTRACTOR	Endeavor

**BILL OF MATERIAL**

SHIP	MARK	NO PCS	DESCRIPTION	LENGTH	PIECE MARK	REMARKS
1	25B11	1	W14X22	26'-3 3/8"		SQ-1/BEV-1 A992 PRIMED
		1	BT PL 1/2X8	1'-0 5/16"	p46	A36 PRIMED
		1	BT PL 1/2X8	1'-0 5/16"	p52	A36

**Avenue Fabricating Inc.**  
1281 Clough Pike  
Batavia, OH 45103  
(513) 752-1911

DRAWN BY	TMc	DATE	06/28/2010
CHKD. BY	TAN	DATE	
JOB No.	10-10	DRG. No.	25B11
		REV.	1



PHASE				
1	2	3	4	5
0	2	0	0	0

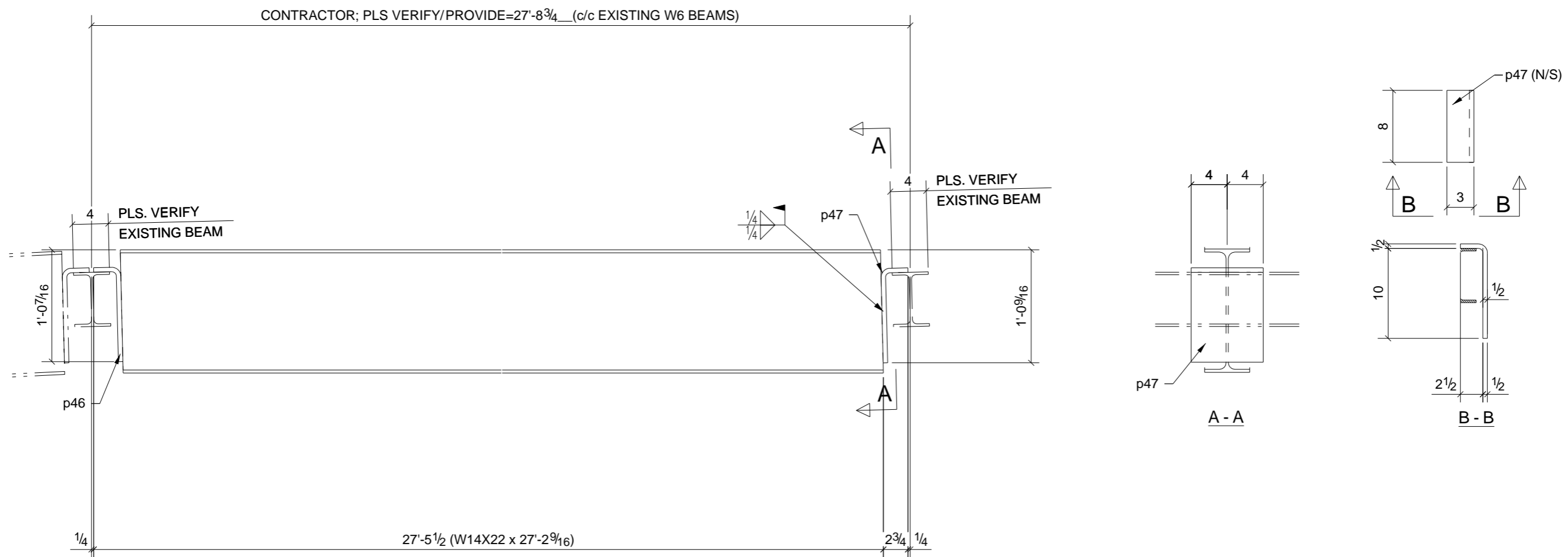
## 2 - BEAMS - 25B12

W	13 11/16" x 1/4"
F	5" x 5/16"

A	For Approval	06/28/10	TMc	-
REV.	DESCRIPTION	DATE	DWN	CHK
<b>GENERAL NOTES</b>		JOB USE		
MATERIAL: A992 / A36	ELECTRODES: E70XX LH	REF. DRG.		
HOLES: 13/16 DIA. U/N	CONN'S.: -	SHOP		
SURFACE PREP. SSPC-SP-2		APPROVAL		
AND PAINT: GREY PRIMER DEVOE NA-195 (U.N.)				
DESCRIPTION: BEAM				
PROJECT NAME: Elda Elementary School Addition/Remodel				
LOCATION: Elda Local School District - Hamilton, O				
CONTRACTOR: Endeavor				
<b>Avenue Fabricating Inc.</b> 1281 Clough Pike Batavia, OH 45103 (513) 752-1911		DRAWN BY	DATE	
		TMc	06/28/2010	
		CHKD. BY	DATE	
TAN				
JOB No.	DRG. No.	REV.		
10-10	25B12	1		

## BILL OF MATERIAL

SHIP	MARK	NO PCS	DESCRIPTION	LENGTH	PIECE MARK	REMARKS
2	25B12	2	W14X22	27'-1 9/16"		BEV-2 A992 PRIMED
		4	BT PL 1/2X8	1'-0 5/16"	p46	A36 PRIMED



PHASE				
1	2	3	4	5
0	2	0	0	0

## 2 - BEAMS - 25B13

W | 13 11/16" x 1/4"  
F | 5" x 5/16"

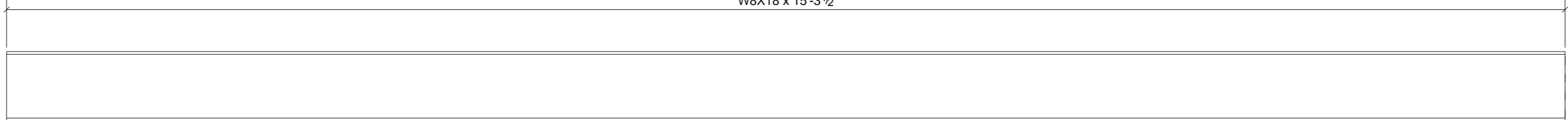
### BILL OF MATERIAL

SHIP	MARK	NO PCS	DESCRIPTION	LENGTH	PIECE MARK	REMARKS
2	25B13	2	W14X22	27'-2 9/16"		BEV-2 A992 PRIMED
		2	BT PL 1/2X8	1'-0 5/16"	p46	A36 PRIMED
		2	BT PL 1/2X8	1'-0 5/16"	p47	A36 PRIMED

A	For Approval	06/28/10	TMc	-
REV.	DESCRIPTION	DATE	DWN	CHK
<b>GENERAL NOTES</b>		JOB USE		
MATERIAL: A992 / A36	ELECTRODES: E70XX LH	REF. DRG.		
HOLES: 13/16 DIA. U/N	CONN'S.: -	SHOP		
SURFACE PREP. <b>SSPC-SP-2</b>		APPROVAL		
AND PAINT: <b>GREY PRIMER DEVOE NA-195 (U.N.)</b>				
DESCRIPTION: <b>BEAM</b>				
PROJECT NAME: <b>Elda Elementary School Addition/Remodel</b>				
LOCATION: <b>Elda Local School District - Hamilton, O</b>				
CONTRACTOR: <b>Endeavor</b>				
<b>Avenue Fabricating Inc.</b> 1281 Clough Pike Batavia, OH 45103 (513) 752-1911		DRAWN BY	DATE	
		TMc	06/28/2010	
		CHKD. BY	DATE	
TAN				
JOB No.	DRG. No.	REV.		
10-10	25B13	1		



W8X18 x 15'-3 1/2"



PHASE				
1	2	3	4	5
0	1	0	0	0

## ONE - BEAM - 25B14

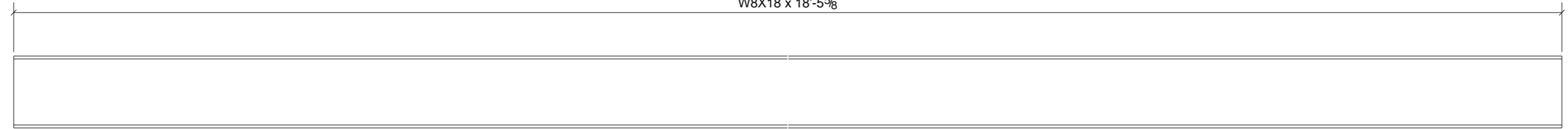
W	8 1/8" x 1/4"
F	5 1/4" x 5/16"

A	For Approval	06/28/10	TMc	-
REV.	DESCRIPTION	DATE	DWN	CHK
<b>GENERAL NOTES</b>			JOB USE	
MATERIAL: A992 / A36	ELECTRODES: E70XX LH	REF. DRG.	SHOP	
HOLES: 13/16 DIA. U/N	CONN'S.: -		APPROVAL	
SURFACE PREP: SSPC-SP-2 AND PAINT: GREY PRIMER DEVOE NA-195 (U.N.)				
DESCRIPTION: BEAM				
PROJECT NAME: Elda Elementary School Addition/Remodel				
LOCATION: Elda Local School District - Hamilton, O				
CONTRACTOR: Endeavor				
<b>Avenue Fabricating Inc.</b> 1281 Clough Pike Batavia, OH 45103 (513) 752-1911		DRAWN BY	DATE	
		TMc	06/28/2010	
		CHKD. BY	DATE	
		TAN		
		JOB No.	DRG. No.	REV.
		10-10	25B14	1

### BILL OF MATERIAL

SHIP	MARK	NO PCS	DESCRIPTION	LENGTH	PIECE MARK	REMARKS
1	25B14	1	W8X18	15'-3 1/2"		SQ-2 A992 PRIMED

W8X18 x 18'-5<sup>5</sup>/<sub>8</sub>



**3 - BEAMS - 25B15**

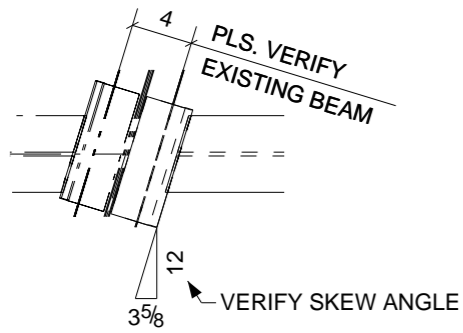
PHASE				
1	2	3	4	5
0	3	0	0	0

W	8 1/8" x 1/4"
F	5 1/4" x 5/16"

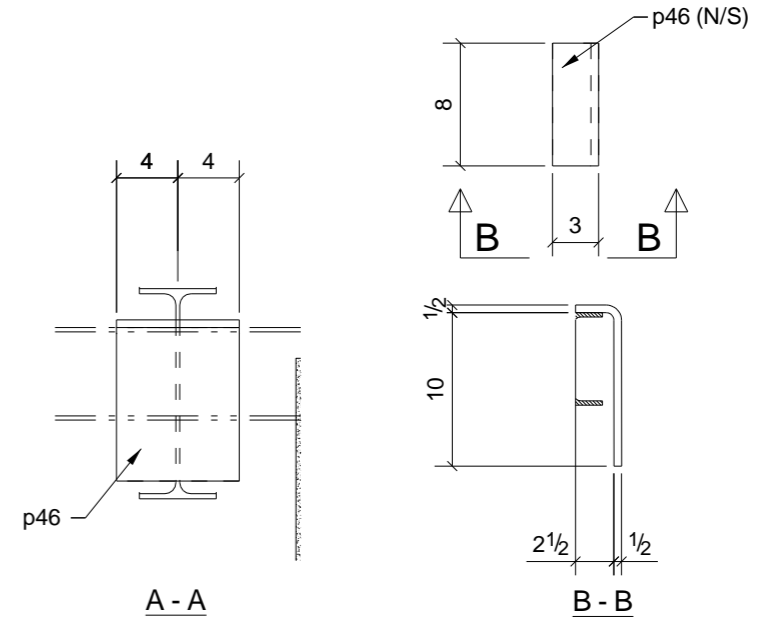
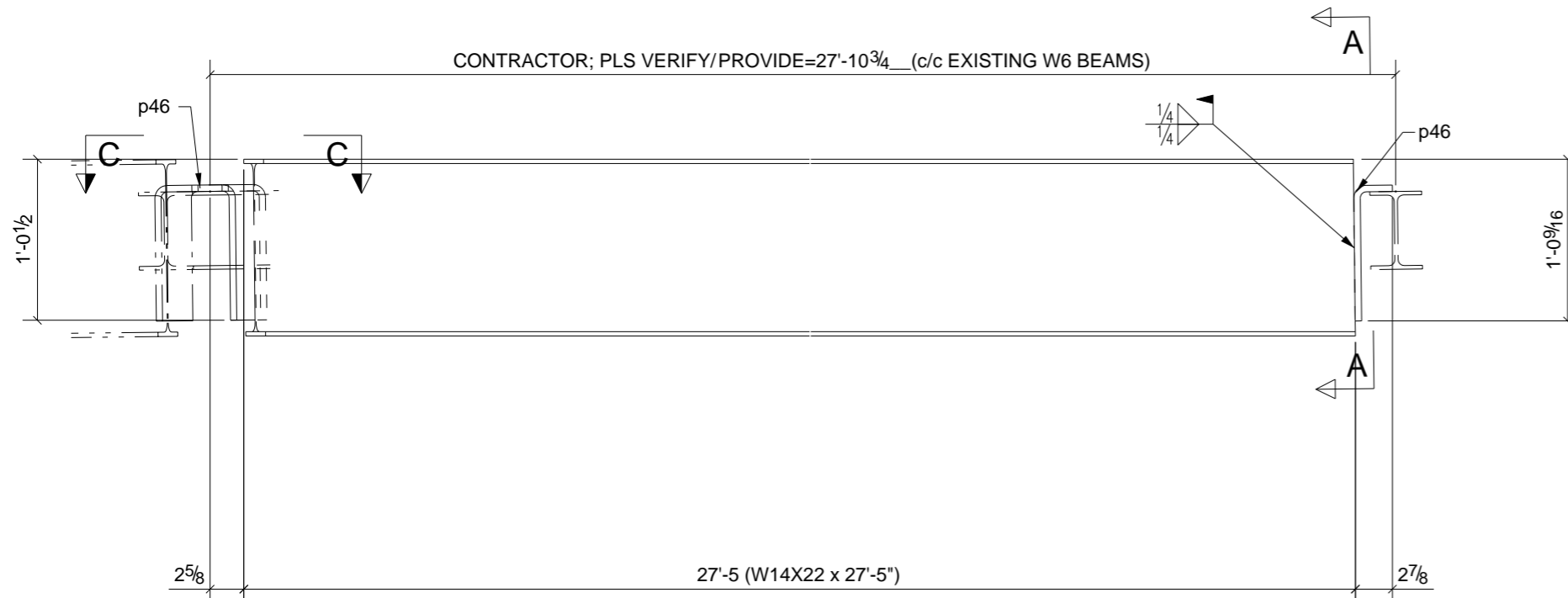
A	For Approval	06/28/10	TMc	-
REV.	DESCRIPTION	DATE	DWN	CHK
<b>GENERAL NOTES</b>			JOB USE	
MATERIAL: A992 / A36	ELECTRODES: E70XX LH	REF. DRG.	SHOP	
HOLES: 13/16 DIA. U/N	CONN'S.: -		APPROVAL	
SURFACE PREP. <b>SSPC-SP-2</b> AND PAINT: <b>GREY PRIMER DEVOE NA-195 (U.N.)</b>				
DESCRIPTION: <b>BEAM</b>				
PROJECT NAME <b>Elda Elementary School Addition/Remodel</b>				
LOCATION <b>Elda Local School District - Hamilton, O</b>				
CONTRACTOR <b>Endeavor</b>				
<b>Avenue Fabricating Inc.</b> 1281 Clough Pike Batavia, OH 45103 (513) 752-1911		DRAWN BY	DATE	
		TMc	06/28/2010	
		CHKD. BY	DATE	
		TAN		
		JOB No.	DRG. No.	REV.
		10-10	25B15	1

**BILL OF MATERIAL**

SHIP	MARK	NO PCS	DESCRIPTION	LENGTH	PIECE MARK	REMARKS
3	25B15	3	W8X18	18'-5 9/16"		SQ-2 A992 PRIMED



**SECTION ~ C - C**



PHASE				
1	2	3	4	5
0	1	0	0	0

**ONE - BEAM - 25B16**

W	13 11/16" x 1/4"
F	5" x 5/16"

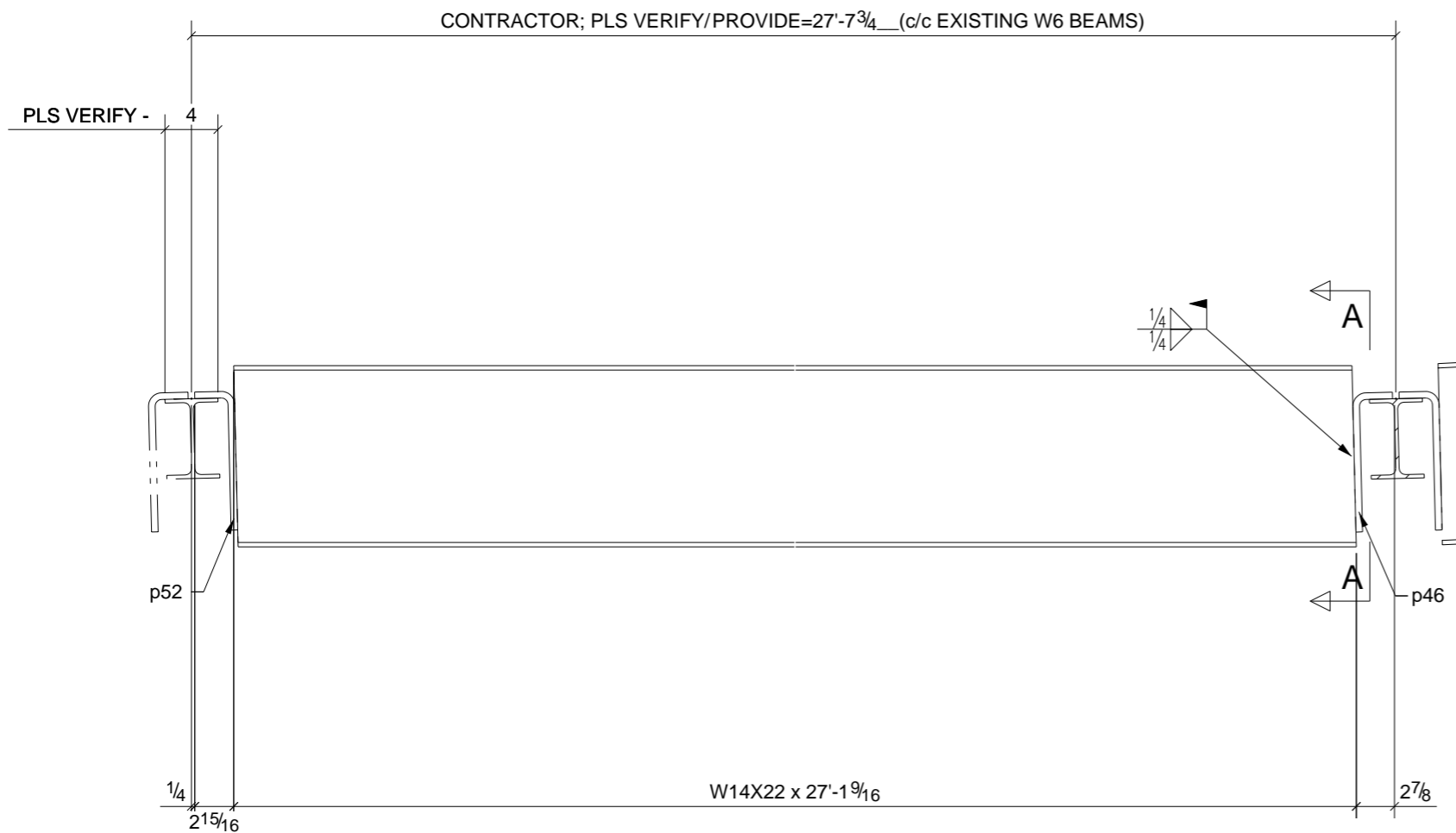
A	For Approval	06/28/10	TMc	-
REV.	DESCRIPTION	DATE	DWN	CHK

GENERAL NOTES			JOB USE	
MATERIAL: A992 / A36	ELECTRODES: E70XX LH	REF. DRG.	SHOP	
HOLES: 13/16 DIA. U/N	CONN'S.: -		APPROVAL	
SURFACE PREP. SSPC-SP-2				
AND PAINT: GREY PRIMER DEVOE NA-195 (U.N.)				
DESCRIPTION: BEAM				
PROJECT NAME Elda Elementary School Addition/Remodel				
LOCATION Elda Local School District - Hamilton, O				
CONTRACTOR Endeavor				

BILL OF MATERIAL						
SHIP	MARK	NO PCS	DESCRIPTION	LENGTH	PIECE MARK	REMARKS
1	25B16	1	W14X22	27'-5"		BEV-2 A992 PRIMED
		2	BT PL 1/2X8	1'-0 5/16"	p46	A36 PRIMED

**Avenue Fabricating Inc.**  
 1281 Clough Pike  
 Batavia, OH 45103  
 (513) 752-1911

DRAWN BY TMc	DATE 06/28/2010
CHKD. BY TAN	DATE
JOB No. 10-10	DRG. No. 25B16
	REV. 1



**2 - BEAMS - 25B17**

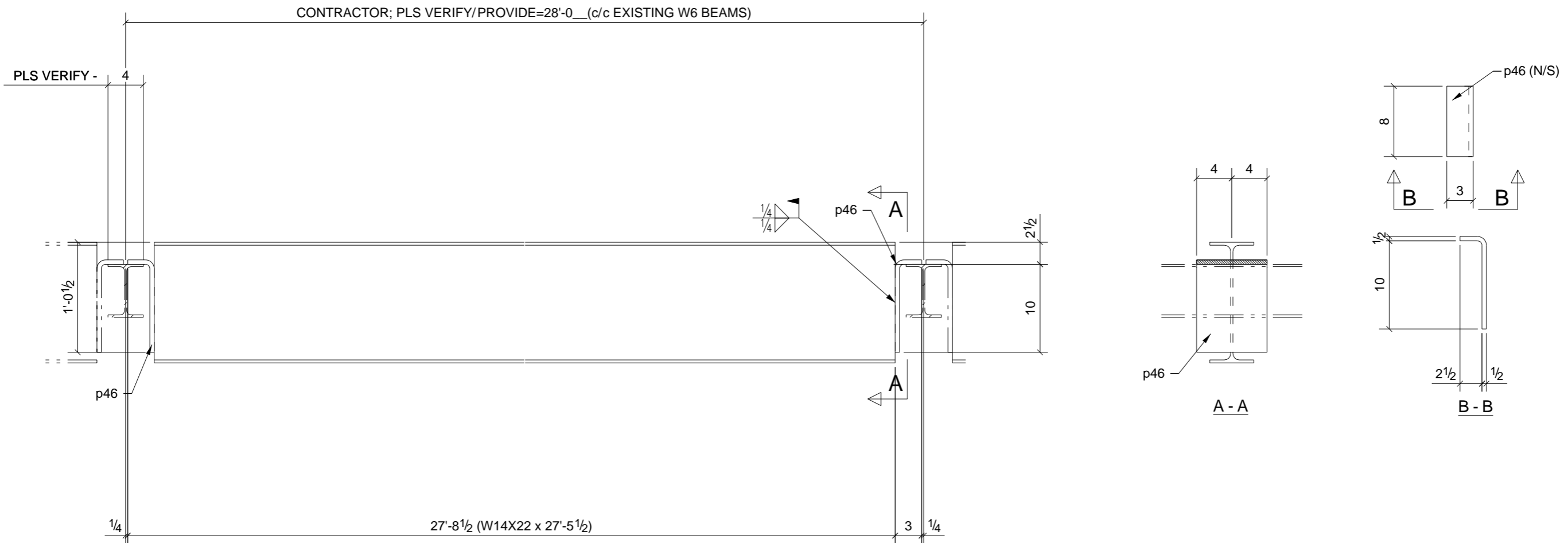
PHASE				
1	2	3	4	5
0	2	0	0	0

W	13 11/16" x 1/4"
F	5" x 5/16"

**BILL OF MATERIAL**

SHIP	MARK	NO PCS	DESCRIPTION	LENGTH	PIECE MARK	REMARKS
2	25B17	2	W14X22	27'-1 9/16"		BEV-2 A992 PRIMED
		2	BT PL 1/2X8	1'-0 5/16"	p46	A36 PRIMED
		2	BT PL 1/2X8	1'-0 5/16"	p52	A36

A	For Approval	06/28/10	TMc	-
REV.	DESCRIPTION	DATE	DWN	CHK
<b>GENERAL NOTES</b>			JOB USE	
MATERIAL: A992 / A36	ELECTRODES: E70XX LH	REF. DRG.	SHOP	
HOLES: 13/16 DIA. U/N	CONN'S.: -		APPROVAL	
SURFACE PREP: <b>SSPC-SP-2</b> AND PAINT: <b>GREY PRIMER DEVOE NA-195 (U.N.)</b>				
DESCRIPTION: <b>BEAM</b>				
PROJECT NAME: <b>Elda Elementary School Addition/Remodel</b>				
LOCATION: <b>Elda Local School District - Hamilton, O</b>				
CONTRACTOR: <b>Endeavor</b>				
<b>Avenue Fabricating Inc.</b> 1281 Clough Pike Batavia, OH 45103 (513) 752-1911			DRAWN BY	DATE
			TMc	06/28/2010
			CHKD. BY	DATE
			TAN	
JOB No.	DRG. No.	REV.		
10-10	25B17	1		



**2 - BEAMS - 25B2**

PHASE				
1	2	3	4	5
0	2	0	0	0

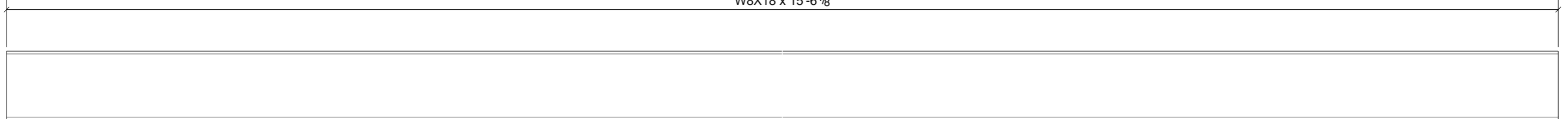
W	13 11/16" x 1/4"
F	5" x 5/16"

**BILL OF MATERIAL**

SHIP	MARK	NO PCS	DESCRIPTION	LENGTH	PIECE MARK	REMARKS
2	25B2	2	W14X22	27'-5 1/2"		SQ-2 A992 PRIMED
		4	BT PL 1/2X8	1'-0 5/16"	p46	A36 PRIMED

A	For Approval	06/28/10	TMc	-
REV.	DESCRIPTION	DATE	DWN	CHK
<b>GENERAL NOTES</b>			JOB USE	
MATERIAL: A992 / A36	ELECTRODES: E70XX LH	REF. DRG.	SHOP	
HOLES: 13/16 DIA. U/N	CONN'S.: -		APPROVAL	
SURFACE PREP. <b>SSPC-SP-2</b> AND PAINT: <b>GREY PRIMER DEVOE NA-195 (U.N.)</b>				
DESCRIPTION: <b>BEAM</b>				
PROJECT NAME <b>Elda Elementary School Addition/Remodel</b>				
LOCATION <b>Elda Local School District - Hamilton, O</b>				
CONTRACTOR <b>Endeavor</b>				
<b>Avenue Fabricating Inc.</b> 1281 Clough Pike Batavia, OH 45103 (513) 752-1911			DRAWN BY	DATE
			TMc	06/28/2010
			CHKD. BY	DATE
			TAN	
JOB No.	DRG. No.	REV.		
10-10	25B2	1		

W8X18 x 15'-6 1/8"



PHASE				
1	2	3	4	5
0	7	0	0	0

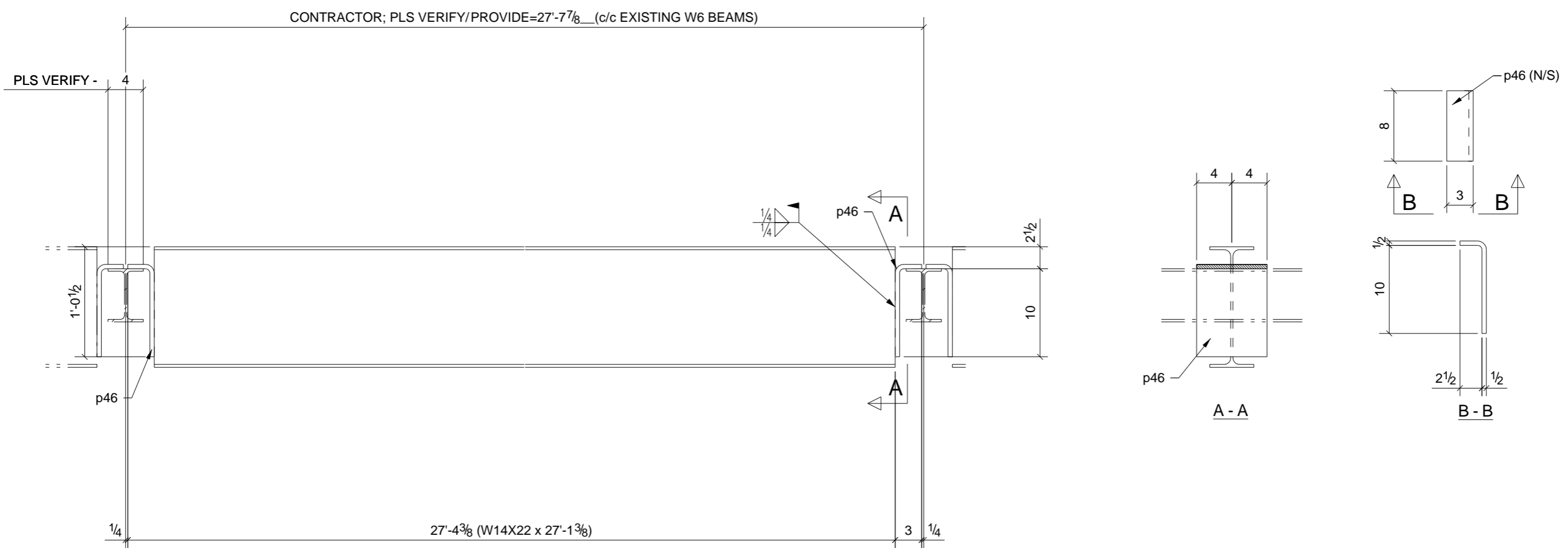
## 7 - BEAMS - 25B20

W	8 1/8" x 1/4"
F	5 1/4" x 5/16"

A	For Approval	06/28/10	TMc	-
REV.	DESCRIPTION	DATE	DWN	CHK
<b>GENERAL NOTES</b>			JOB USE	
MATERIAL: A992 / A36	ELECTRODES: E70XX LH	REF. DRG.	SHOP	
HOLES: 13/16 DIA. U/N	CONN'S.: -		APPROVAL	
SURFACE PREP: SSPC-SP-2 AND PAINT: GREY PRIMER DEVOE NA-195 (U.N.)				
DESCRIPTION: BEAM				
PROJECT NAME: Elda Elementary School Addition/Remodel				
LOCATION: Elda Local School District - Hamilton, O				
CONTRACTOR: Endeavor				
<b>Avenue Fabricating Inc.</b> 1281 Clough Pike Batavia, OH 45103 (513) 752-1911		DRAWN BY	DATE	
		TMc	06/28/2010	
		CHKD. BY	DATE	
		TAN		
		JOB No.	DRG. No.	REV.
		10-10	25B20	1

## BILL OF MATERIAL

SHIP	MARK	NO PCS	DESCRIPTION	LENGTH	PIECE MARK	REMARKS
7	25B20	7	W8X18	15'-6 1/8"		SQ-2 A992 PRIMED



PHASE				
1	2	3	4	5
0	2	0	0	0

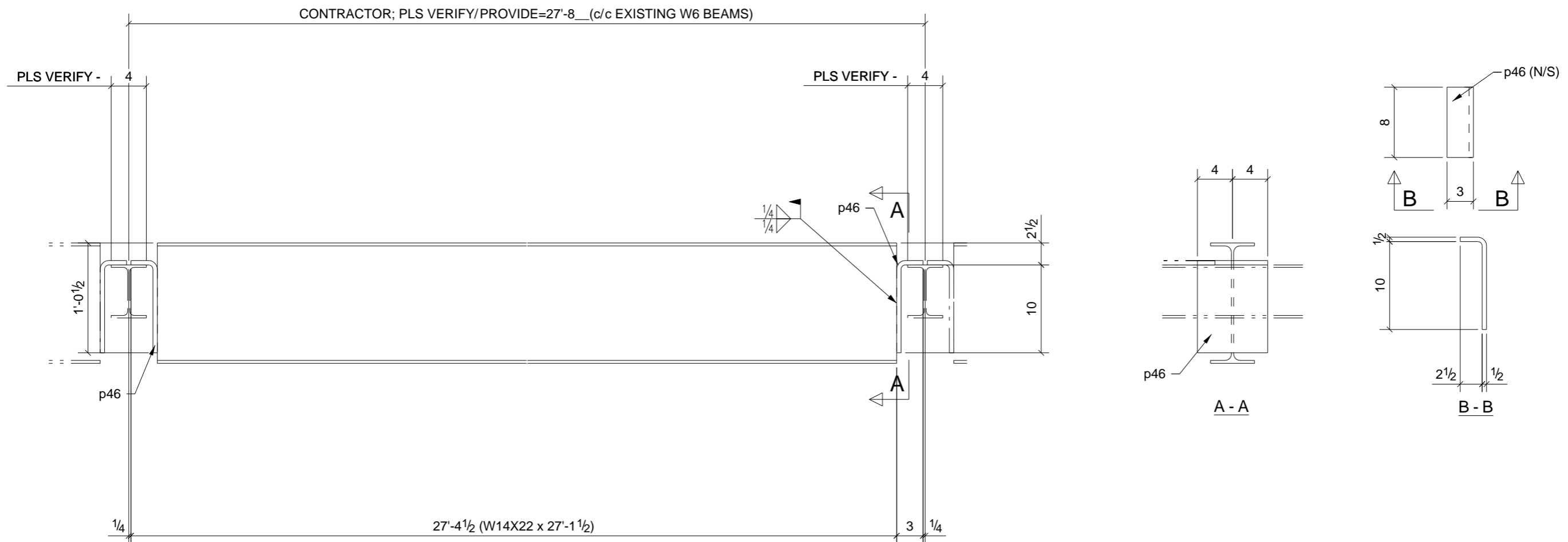
## 2 - BEAMS - 25B3

W	13 11/16" x 1/4"
F	5" x 5/16"

### BILL OF MATERIAL

SHIP	MARK	NO PCS	DESCRIPTION	LENGTH	PIECE MARK	REMARKS
2	25B3	2	W14X22	27'-1 3/8"		SQ-2 A992 PRIMED
		4	BT PL 1/2X8	1'-0 5/16"	p46	A36 PRIMED

A	For Approval	06/28/10	TMc	-
REV.	DESCRIPTION	DATE	DWN	CHK
<b>GENERAL NOTES</b>		JOB USE		
MATERIAL: A992 / A36	ELECTRODES: E70XX LH	REF. DRG.		
HOLES: 13/16 DIA. U/N	CONN'S.: -	SHOP		
SURFACE PREP. <b>SSPC-SP-2</b> AND PAINT: <b>GREY PRIMER DEVOE NA-195 (U.N.)</b>		APPROVAL		
DESCRIPTION: <b>BEAM</b>				
PROJECT NAME: <b>Elda Elementary School Addition/Remodel</b>				
LOCATION: <b>Elda Local School District - Hamilton, O</b>				
CONTRACTOR: <b>Endeavor</b>				
<b>Avenue Fabricating Inc.</b> 1281 Clough Pike Batavia, OH 45103 (513) 752-1911		DRAWN BY TMc	DATE 06/28/2010	
		CHKD. BY TAN	DATE	
		JOB No. 10-10	DRG. No. 25B3	REV. 1



CONTRACTOR; PLS VERIFY/PROVIDE=27'-8\_\_(c/c EXISTING W6 BEAMS)

PLS VERIFY - 4

PLS VERIFY - 4

1'-0 1/2

p46

1/4

p46

A

2 1/2

10

p46

A - A

8

B

3

B

p46 (N/S)

10

2 1/2

1/2

B - B

1/4

27'-4 1/2 (W14X22 x 27'-1 1/2)

3

1/4

PHASE				
1	2	3	4	5
0	2	0	0	0

## 2 - BEAMS - 25B4

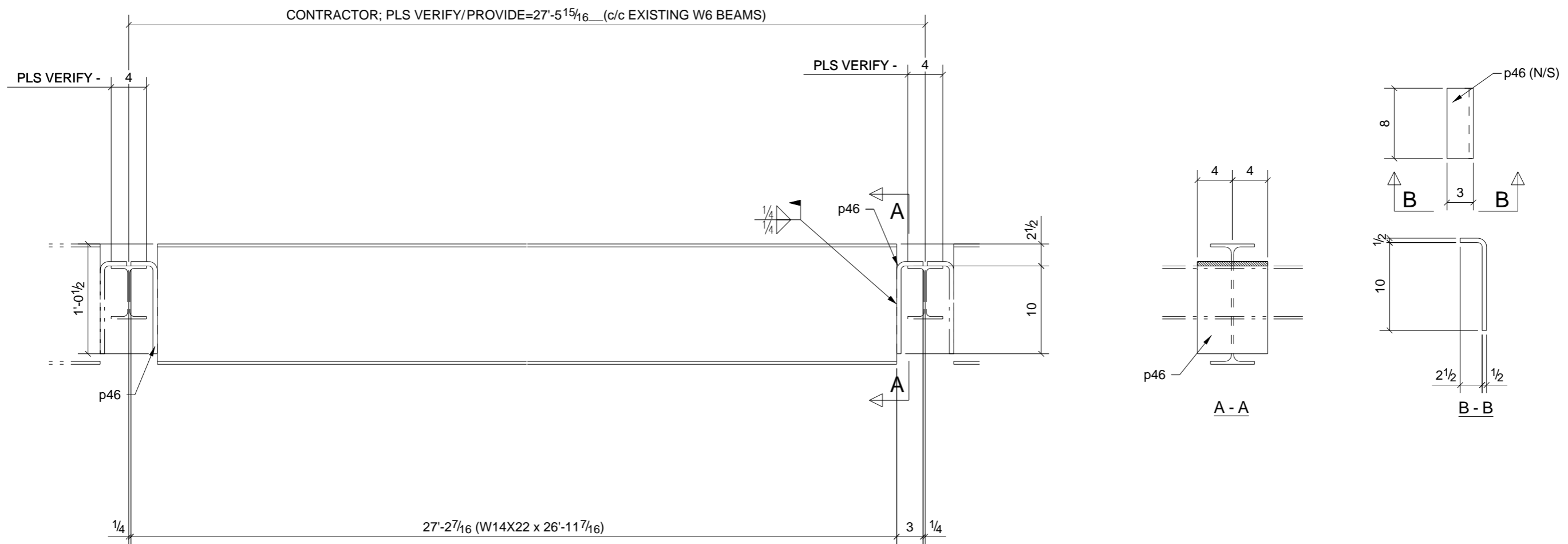
W	13 11/16" x 1/4"
F	5" x 5/16"

A	For Approval	06/28/10	TMc	-
REV.	DESCRIPTION	DATE	DWN	CHK
GENERAL NOTES			JOB USE	
MATERIAL: A992 / A36	ELECTRODES: E70XX LH	REF. DRG.	SHOP	
HOLES: 13/16 DIA. U/N	CONN'S.: -		APPROVAL	
SURFACE PREP. SSPC-SP-2 AND PAINT: GREY PRIMER DEVOE NA-195 (U.N.)				
DESCRIPTION: BEAM				
PROJECT NAME Elda Elementary School Addition/Remodel				
LOCATION Elda Local School District - Hamilton, O				
CONTRACTOR Endeavor				
Avenue Fabricating Inc. 1281 Clough Pike Batavia, OH 45103 (513) 752-1911			DRAWN BY TMc	DATE 06/28/2010
			CHKD. BY TAN	DATE
			JOB No. 10-10	DRG. No. 25B4
				REV. 1

## BILL OF MATERIAL

SHIP	MARK	NO PCS	DESCRIPTION	LENGTH	PIECE MARK	REMARKS
2	25B4	2	W14X22	27'-1 1/2"		SQ-2 A992 PRIMED
		4	BT PL 1/2X8	1'-0 5/16"	p46	A36 PRIMED





PHASE				
1	2	3	4	5
0	2	0	0	0

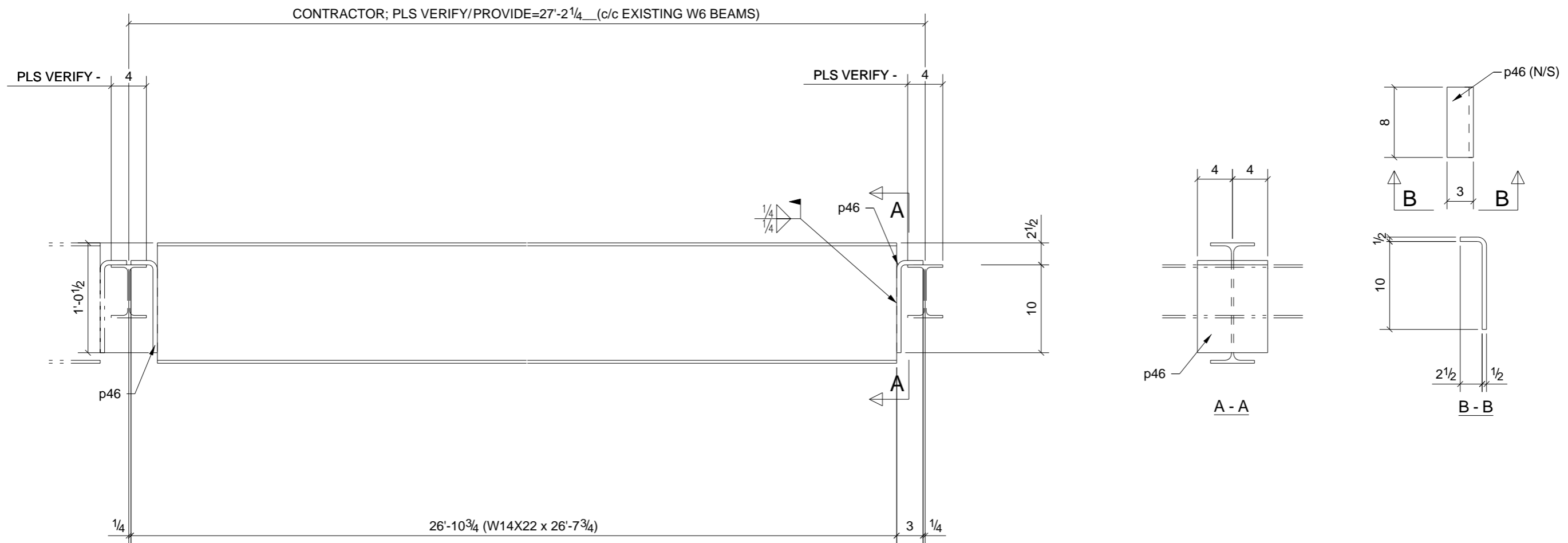
## 2 - BEAMS - 25B5

W	13 11/16" x 1/4"
F	5" x 5/16"

### BILL OF MATERIAL

SHIP	MARK	NO PCS	DESCRIPTION	LENGTH	PIECE MARK	REMARKS
2	25B5	2	W14X22	26'-11 7/16"		SQ-2 A992 PRIMED
		4	BT PL 1/2X8	1'-0 5/16"	p46	A36 PRIMED

A	For Approval	06/28/10	TMc	-
REV.	DESCRIPTION	DATE	DWN	CHK
GENERAL NOTES			JOB USE	
MATERIAL: A992 / A36	ELECTRODES: E70XX LH	REF. DRG.	SHOP	
HOLES: 13/16 DIA. U/N	CONN'S.: -		APPROVAL	
SURFACE PREP. SSPC-SP-2 AND PAINT: GREY PRIMER DEVOE NA-195 (U.N.)				
DESCRIPTION: BEAM				
PROJECT NAME Elda Elementary School Addition/Remodel				
LOCATION Elda Local School District - Hamilton, O				
CONTRACTOR Endeavor				
<b>Avenue Fabricating Inc.</b> 1281 Clough Pike Batavia, OH 45103 (513) 752-1911			DRAWN BY	DATE
			TMc	06/28/2010
			CHKD. BY	DATE
			TAN	
JOB No.	DRG. No.	REV.		
10-10	25B5	1		



PHASE				
1	2	3	4	5
0	2	0	0	0

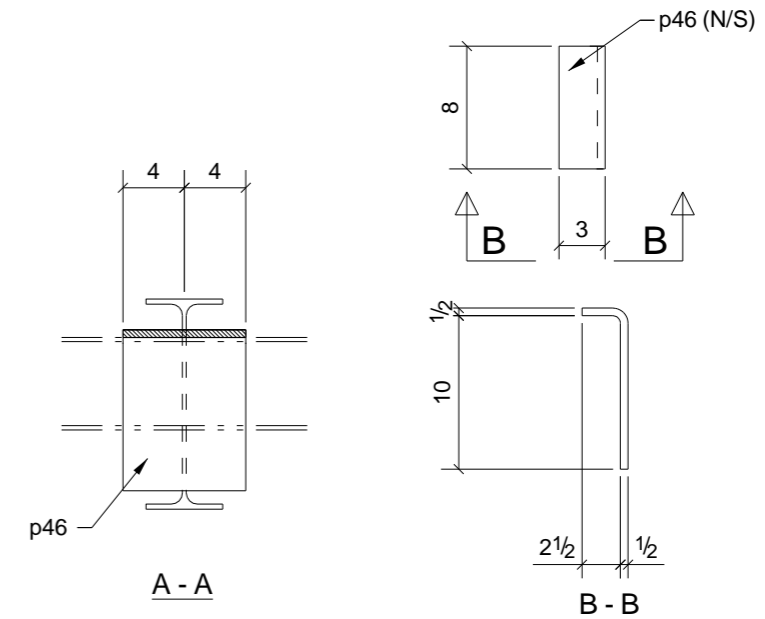
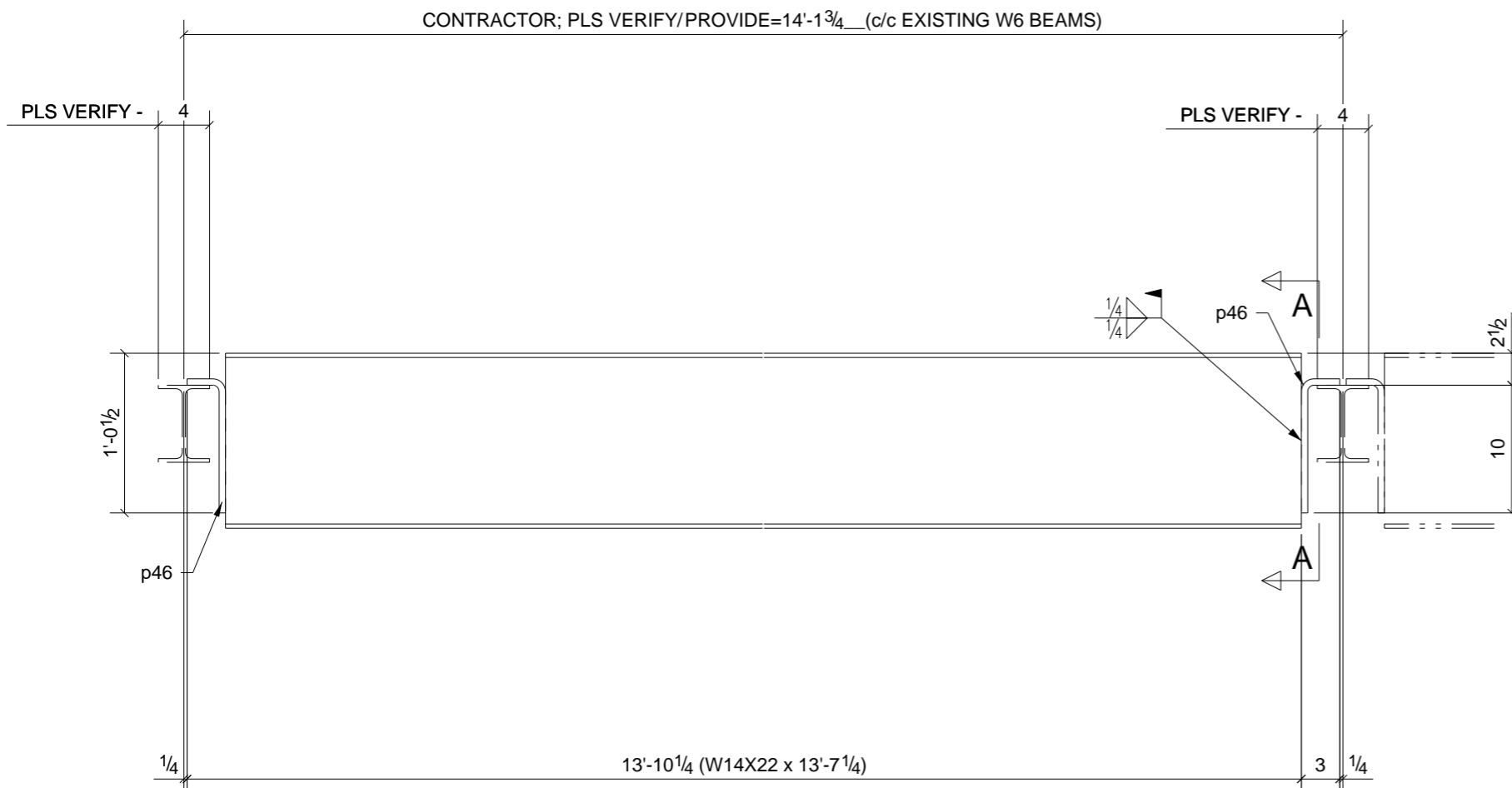
## 2 - BEAMS - 25B6

W	13 11/16" x 1/4"
F	5" x 5/16"

### BILL OF MATERIAL

SHIP	MARK	NO PCS	DESCRIPTION	LENGTH	PIECE MARK	REMARKS
2	25B6	2	W14X22	26'-7 3/4"		SQ-2 A992 PRIMED
		4	BT PL 1/2X8	1'-0 5/16"	p46	A36 PRIMED

A	For Approval	06/28/10	TMc	-
REV.	DESCRIPTION	DATE	DWN	CHK
GENERAL NOTES			JOB USE	
MATERIAL: A992 / A36	ELECTRODES: E70XX LH	REF. DRG.	SHOP	
HOLES: 13/16 DIA. U/N	CONN'S.: -		APPROVAL	
SURFACE PREP. SSPC-SP-2 AND PAINT: GREY PRIMER DEVOE NA-195 (U.N.)				
DESCRIPTION: BEAM				
PROJECT NAME Elda Elementary School Addition/Remodel				
LOCATION Elda Local School District - Hamilton, O				
CONTRACTOR Endeavor				
<b>Avenue Fabricating Inc.</b> 1281 Clough Pike Batavia, OH 45103 (513) 752-1911			DRAWN BY	DATE
			TMc	06/28/2010
			CHKD. BY	DATE
			TAN	
JOB No.	DRG. No.	REV.		
10-10	25B6	1		



PHASE				
1	2	3	4	5
0	2	0	0	0

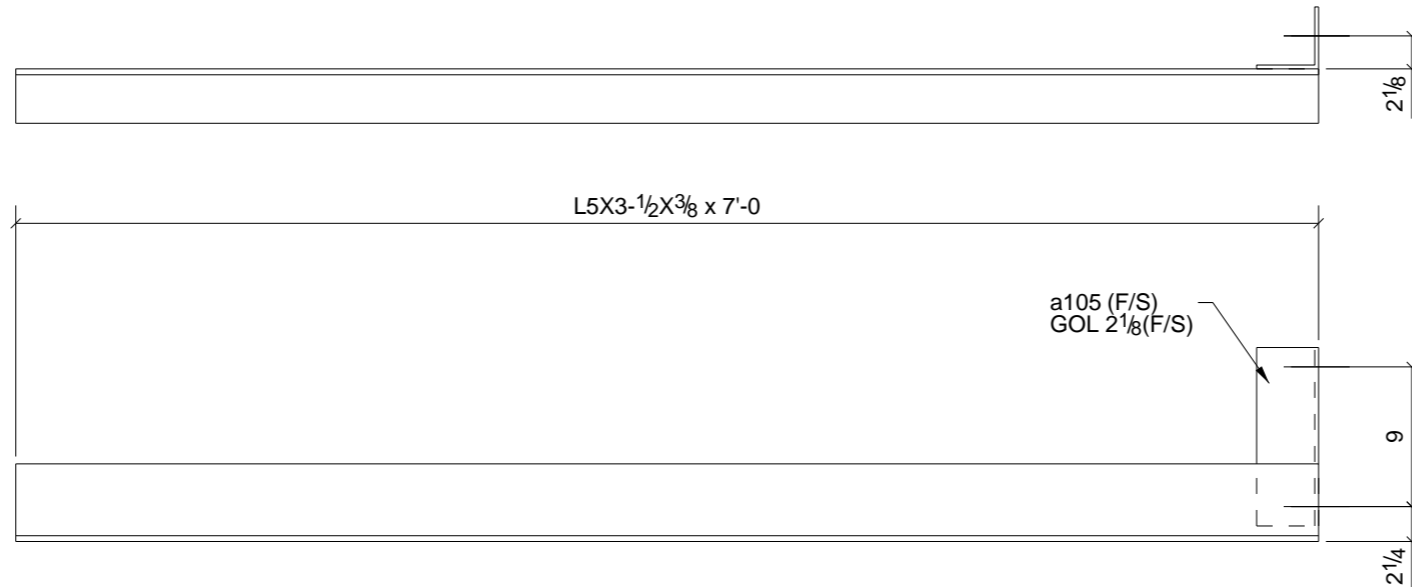
## 2 - BEAMS - 25B7

W	13 11/16" x 1/4"
F	5" x 5/16"

### BILL OF MATERIAL

SHIP	MARK	NO PCS	DESCRIPTION	LENGTH	PIECE MARK	REMARKS
2	25B7	2	W14X22	13'-7 1/4"		SQ-2 A992 PRIMED
		4	BT PL 1/2X8	1'-0 5/16"	p46	A36 PRIMED

A	For Approval	06/28/10	TMc	-
REV.	DESCRIPTION	DATE	DWN	CHK
GENERAL NOTES			JOB USE	
MATERIAL: A992 / A36	ELECTRODES: E70XX LH	REF. DRG.	SHOP	
HOLES: 13/16 DIA. U/N	CONN'S.: -		APPROVAL	
SURFACE PREP. SSPC-SP-2 AND PAINT: GREY PRIMER DEVOE NA-195 (U.N.)				
DESCRIPTION: BEAM				
PROJECT NAME Elda Elementary School Addition/Remodel				
LOCATION Elda Local School District - Hamilton, O				
CONTRACTOR Endeavor				
Avenue Fabricating Inc. 1281 Clough Pike Batavia, OH 45103 (513) 752-1911			DRAWN BY TMc	DATE 06/28/2010
			CHKD. BY TAN	DATE
			JOB No. 10-10	DRG. No. 25B7
				REV. 1



SHOP NOTE:  
 ALL MATERIAL IS PLAIN, ANY CUTS OR  
 COPES OTHER THAN SQUARE CUTS ARE  
 FOR DRAFTING REFERENCE ONLY. MARK  
 ASSEMBY & SUB MARKS FOR SHIPPING  
 APPROVER / CONTRACTOR NOTE:  
 OVERALL DIMENSIONS ARE FOR REFERENCE  
 TO REQUEST VERIFICATION OF  
 SUFFICIENT MATERIAL FOR FIELD TRIM &  
 WELDING ROOF MEMBERS REINFORCING  
 HVAC DUCTS & EQUIPMENT, SEE PLANS  
 FOR ASSY MARK.

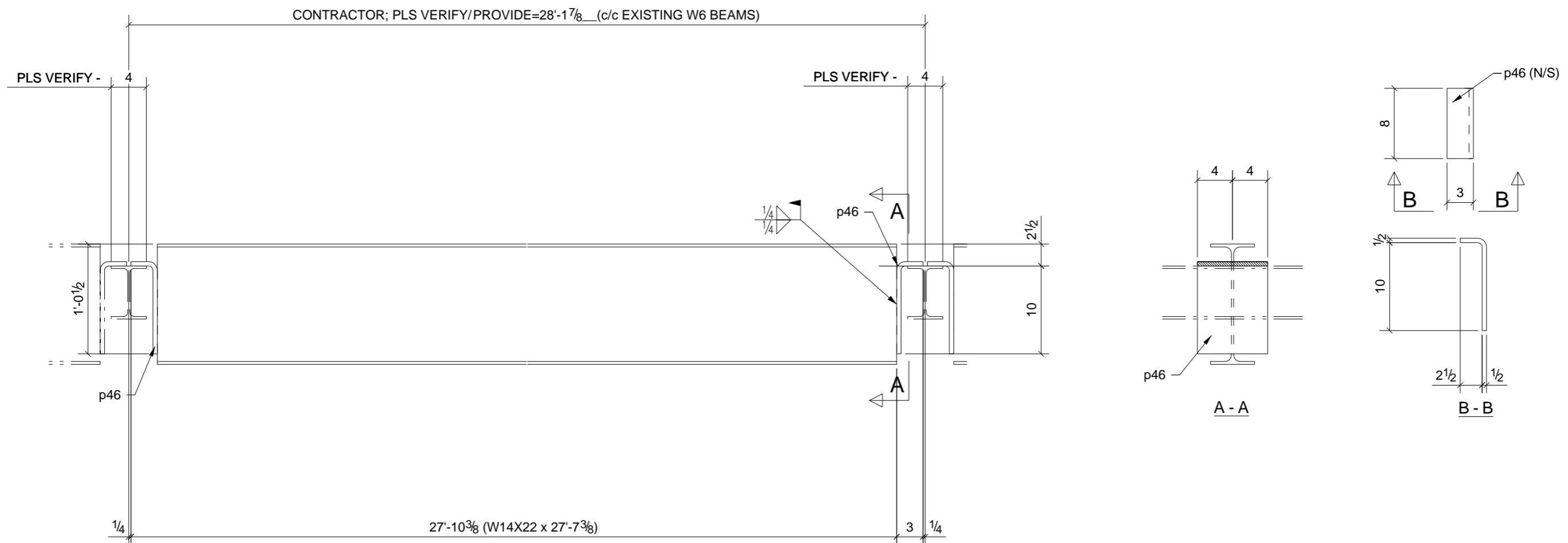
PHASE				
1	2	3	4	5
0	4	0	0	0

## 4 - ANGLES - 27A10

A	For Approval	06/28/10	TMc	-
REV.	DESCRIPTION	DATE	DWN	CHK
<b>GENERAL NOTES</b>			JOB USE	
MATERIAL: A992 / A36	ELECTRODES: E70XX LH	REF. DRG.	SHOP	
HOLES: 13/16 DIA. U/N	CONN'S.: -		APPROVAL	
SURFACE PREP. SSSP-SP-2 AND PAINT: GREY PRIMER DEVOE NA-195 (U.N.)				
DESCRIPTION: ANGLE				
PROJECT NAME Eida Elementary School Addition/Remodel				
LOCATION Eida Local School District - Hamilton, O				
CONTRACTOR Endeavor				
<b>Avenue Fabricating Inc.</b> 1281 Clough Pike Batavia, OH 45103 (513) 752-1911			DRAWN BY	DATE
			TMc	06/28/2010
			CHKD. BY	DATE
			TAN	
JOB No.	DRG. No.	REV.		
10-10	27A10	1		

## BILL OF MATERIAL

SHIP	MARK	NO PCS	DESCRIPTION	LENGTH	PIECE MARK	REMARKS
4	27A10	4	L5X3-1/2X3/8	7'-0"		SQ-2 A36 PRIMED
		4	L4X4X1/4	0'-11 1/2"	a105	A36 PRIMED



PHASE				
1	2	3	4	5
0	2	0	0	0

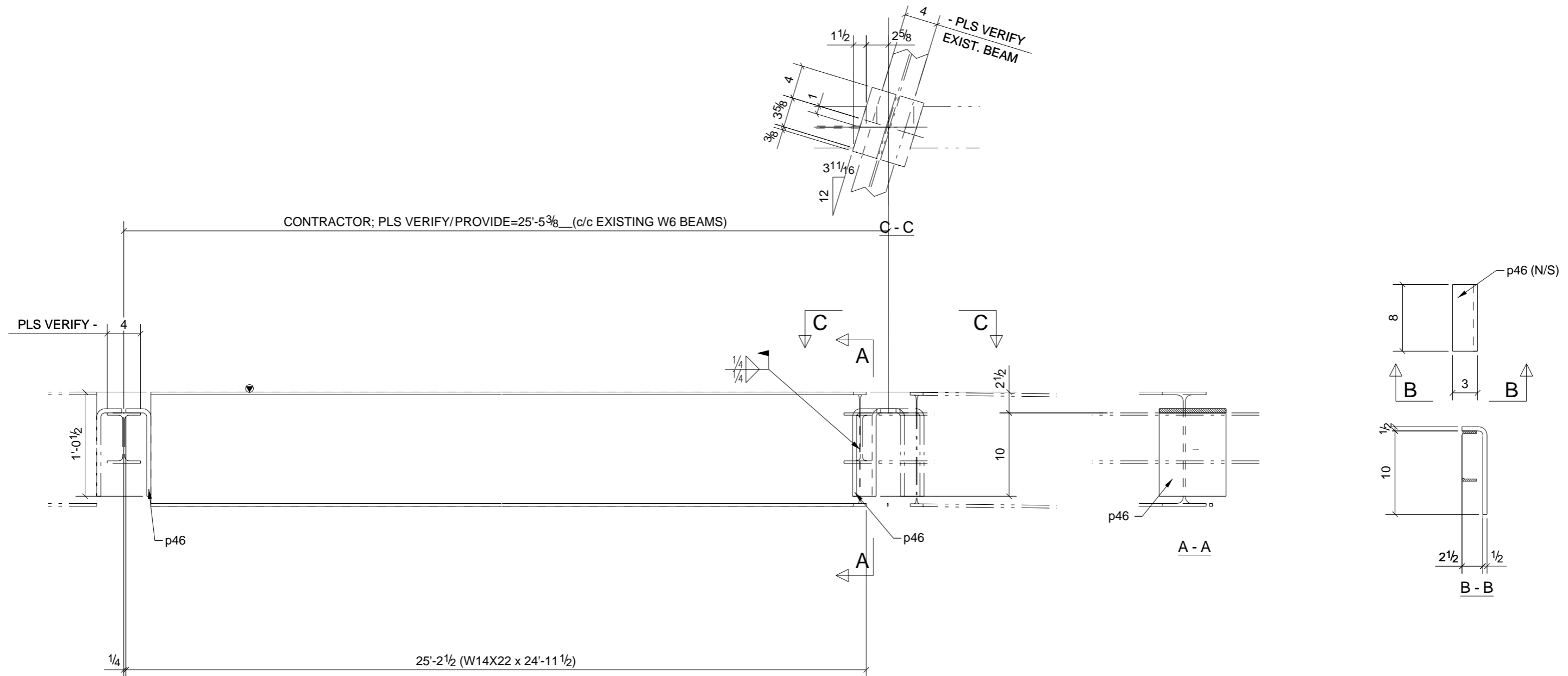
## 2 - BEAMS - 25B8

W	13 11/16" x 1/4"
F	5" x 5/16"

### BILL OF MATERIAL

SHIP	MARK	NO PCS	DESCRIPTION	LENGTH	PIECE MARK	REMARKS
2	25B8	2	W14X22	27'-7 3/8"		SQ-2 A992 PRIMED
		4	BT PL 1/2X8	1'-0 5/16"	p46	A36 PRIMED

A	For Approval	06/28/10	TMc	-
REV.	DESCRIPTION	DATE	DWN	CHK
GENERAL NOTES			JOB USE	
MATERIAL: A992 / A36	ELECTRODES: E70XX LH	REF. DRG.	SHOP	
HOLES: 13/16 DIA. U/N	CONN'S.: -		APPROVAL	
SURFACE PREP. <b>SSPC-SP-2</b> AND PAINT: <b>GREY PRIMER DEVOE NA-195 (U.N.)</b>				
DESCRIPTION: BEAM				
PROJECT NAME Elda Elementary School Addition/Remodel				
LOCATION Elda Local School District - Hamilton, O				
CONTRACTOR Endeavor				
<b>Avenue Fabricating Inc.</b> 1281 Clough Pike Batavia, OH 45103 (513) 752-1911			DRAWN BY	DATE
			TMc	06/28/2010
			CHKD. BY	DATE
			TAN	
JOB No.	DRG. No.	REV.		
10-10	25B8	1		



## ONE - BEAM - 25B9

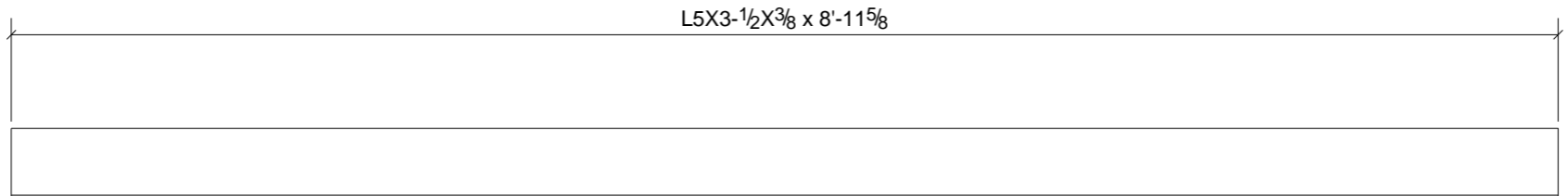
PHASE				
1	2	3	4	5
0	1	0	0	0

W	13 11/16" x 1/4"
F	5" x 5/16"

A	For Approval	06/28/10	TMc	-
REV.	DESCRIPTION	DATE	DWN	CHK
<b>GENERAL NOTES</b>		JOB USE		
MATERIAL: A992 / A36	ELECTRODES: E70XX LH	REF. DRG.		
HOLES: 13/16 DIA. U/N	CONN'S.: -	SHOP		
SURFACE PREP. SSPC-SP-2		APPROVAL		
AND PAINT: GREY PRIMER DEVOE NA-195 (U.N.)				
DESCRIPTION: BEAM				
PROJECT NAME Elda Elementary School Addition/Remodel				
LOCATION Elda Local School District - Hamilton, O				
CONTRACTOR Endeavor				
<b>Avenue Fabricating Inc.</b>		DRAWN BY TMc		DATE 06/28/2010
1281 Clough Pike Batavia, OH 45103 (513) 752-1911		CHKD. BY TAN		DATE
		JOB No. 10-10	DRG. No. 25B9	REV. 1

### BILL OF MATERIAL

SHIP	MARK	NO PCS	DESCRIPTION	LENGTH	PIECE MARK	REMARKS
1	25B9	1	W14X22	24'-11 1/2"		SQ-1/BEV-1 A992 PRIMED
		2	BT PL 1/2X8	1'-0 5/16"	p46	A36 PRIMED



L5X3-1/2X3/8 x 8'-11 5/8

2 - ANGLES - 27A11

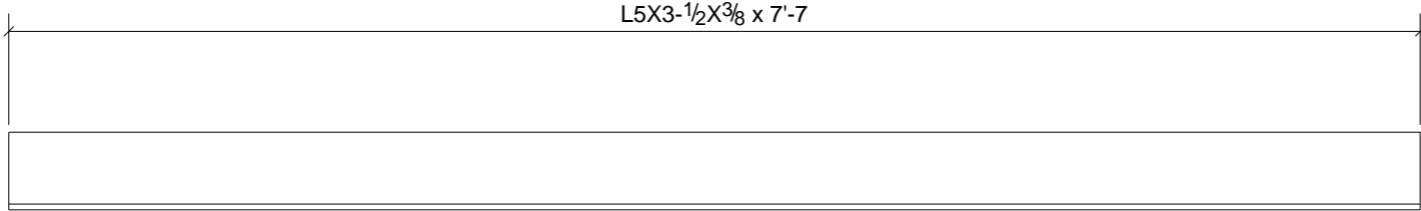
PHASE				
1	2	3	4	5
0	2	0	0	0

A	For Approval	06/28/10	TMc	-
REV.	DESCRIPTION	DATE	DWN	CHK
GENERAL NOTES			JOB USE	
MATERIAL: A992 / A36	ELECTRODES: E70XX LH	REF. DRG.	SHOP	
HOLES: 13/16 DIA. U/N	CONN'S.: -		APPROVAL	
SURFACE PREP. SSPC-SP-2 AND PAINT: GREY PRIMER DEVOE NA-195 (U.N.)				
DESCRIPTION: ANGLE				
PROJECT NAME Eida Elementary School Addition/Remodel				
LOCATION Eida Local School District - Hamilton, O				
CONTRACTOR Endeavor				
		DRAWN BY TMc		DATE 06/28/2010
		CHKD. BY TAN		DATE
		JOB No. 10-10	DRG. No. 27A11	REV. 1

**BILL OF MATERIAL**

SHIP	MARK	NO PCS	DESCRIPTION	LENGTH	PIECE MARK	REMARKS
2	27A11	2	L5X3-1/2X3/8	8'-11 5/8"		SQ-2 A36 PRIMED

**Avenue Fabricating Inc.**  
 1281 Clough Pike  
 Batavia, OH 45103  
 (513) 752-1911



**8 - ANGLES - 27A1**

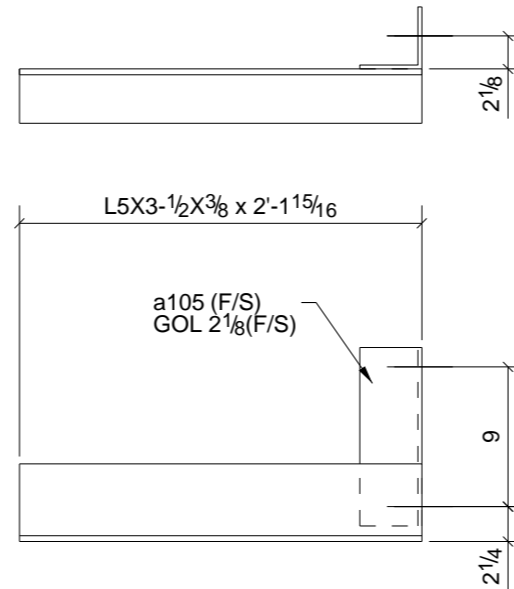
PHASE				
1	2	3	4	5
0	8	0	0	0

A	For Approval	06/28/10	TMc	-
REV.	DESCRIPTION	DATE	DWN	CHK
<b>GENERAL NOTES</b>			JOB USE	
MATERIAL: A992 / A36	ELECTRODES: E70XX LH	REF. DRG.	SHOP	
HOLES: 13/16 DIA. U/N	CONN'S.: -		APPROVAL	
SURFACE PREP. SSPC-SP-2 AND PAINT: GREY PRIMER DEVOE NA-195 (U.N.)				
DESCRIPTION: ANGLE				
PROJECT NAME Eida Elementary School Addition/Remodel				
LOCATION Eida Local School District - Hamilton, O				
CONTRACTOR Endeavor				
		DRAWN BY TMc		DATE 06/28/2010
		CHKD. BY TAN		DATE
		JOB No. 10-10	DRG. No. 27A1	REV. 1

BILL OF MATERIAL						
SHIP	MARK	NO PCS	DESCRIPTION	LENGTH	PIECE MARK	REMARKS
8	27A1	8	L5X3-1/2X3/8	7'-7"		SQ-2 A36 PRIMED

**Avenue Fabricating Inc.**  
 1281 Clough Pike  
 Batavia, OH 45103  
 (513) 752-1911





SHOP NOTE:  
 ALL MATERIAL IS PLAIN, ANY CUTS OR  
 COPEs OTHER THAN SQUARE CUTS ARE  
 FOR DRAFTING REFERENCE ONLY. MARK  
 ASSEMBY & SUB MARKS FOR SHIPPING  
 APPROVER / CONTRACTOR NOTE:  
 OVERALL DIMENSIONS ARE FOR REFERENCE  
 TO REQUEST VERIFICATION OF  
 SUFFICIENT MATERIAL FOR FIELD TRIM &  
 WELDING ROOF MEMBERS REINFORCING  
 HVAC DUCTS & EQUIPMENT, SEE PLANS  
 FOR ASSY MARK.

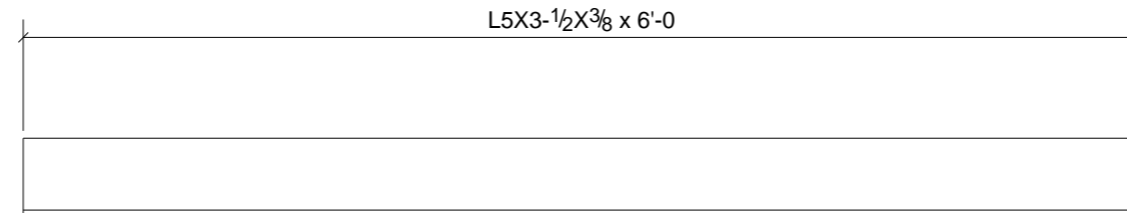
PHASE				
1	2	3	4	5
0	2	0	0	0

## 2 - ANGLES - 27A12

A	For Approval	06/28/10	TMc	-
REV.	DESCRIPTION	DATE	DWN	CHK
<b>GENERAL NOTES</b>			JOB USE	
MATERIAL: A992 / A36	ELECTRODES: E70XX LH	REF. DRG.	SHOP	
HOLES: 13/16 DIA. U/N	CONN'S.: -		APPROVAL	
SURFACE PREP. SSPC-SP-2 AND PAINT: GREY PRIMER DEVOE NA-195 (U.N.)				
DESCRIPTION: ANGLE				
PROJECT NAME Eida Elementary School Addition/Remodel				
LOCATION Eida Local School District - Hamilton, O				
CONTRACTOR Endeavor				
<b>Avenue Fabricating Inc.</b> 1281 Clough Pike Batavia, OH 45103 (513) 752-1911			DRAWN BY	DATE
			TMc	06/28/2010
			CHKD. BY	DATE
			TAN	
JOB No.	DRG. No.	REV.		
10-10	27A12	1		

## BILL OF MATERIAL

SHIP	MARK	NO PCS	DESCRIPTION	LENGTH	PIECE MARK	REMARKS
2	27A12	2	L5X3-1/2X3/8	2'-1 15/16"		SQ-2 A36 PRIMED
		2	L4X4X1/4	0'-11 1/2"	a105	A36 PRIMED



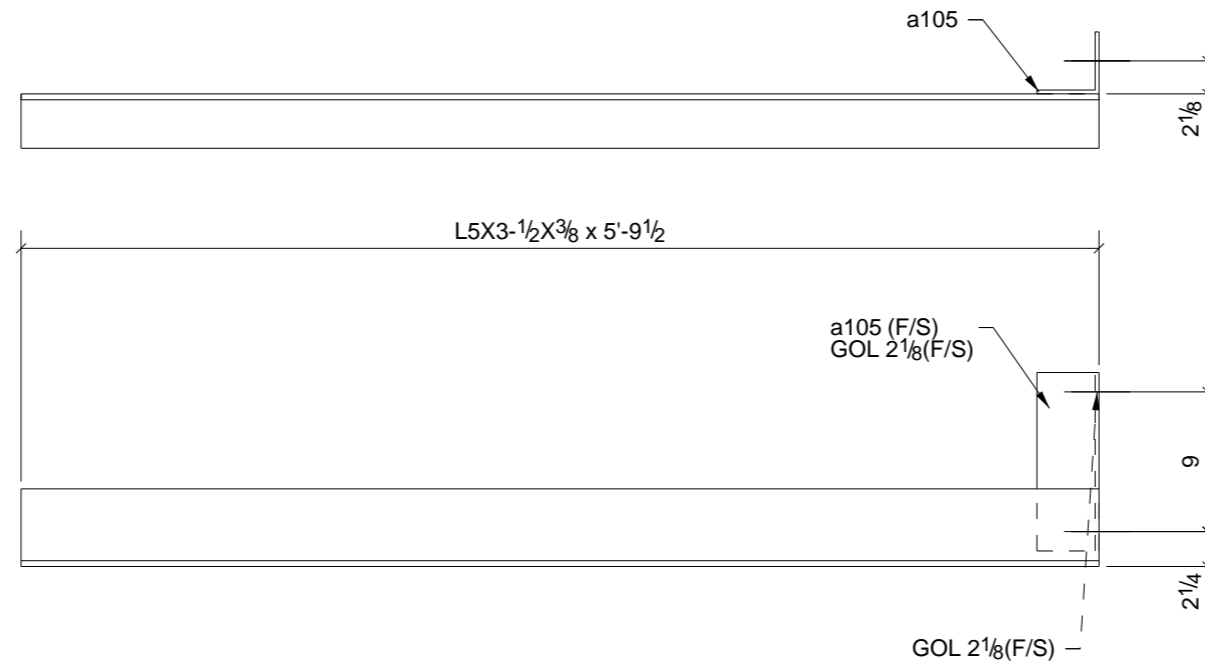
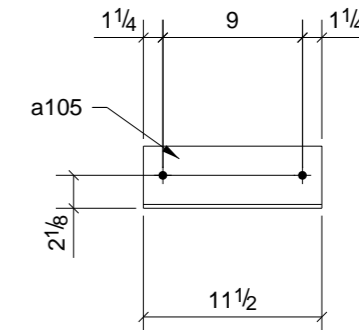
PHASE				
1	2	3	4	5
0	2	0	0	0

**2 - ANGLES - 27A13**

A	For Approval	06/28/10	TMc	-
REV.	DESCRIPTION	DATE	DWN	CHK
<b>GENERAL NOTES</b>			JOB USE	
MATERIAL: A992 / A36	ELECTRODES: E70XX LH	REF. DRG.	SHOP	
HOLES: 13/16 DIA. U/N	CONN'S.: -		APPROVAL	
SURFACE PREP. SSPC-SP-2 AND PAINT: GREY PRIMER DEVOE NA-195 (U.N.)				
DESCRIPTION: ANGLE				
PROJECT NAME Eida Elementary School Addition/Remodel				
LOCATION Eida Local School District - Hamilton, O				
CONTRACTOR Endeavor				
		DRAWN BY TMc		DATE 06/28/2010
		CHKD. BY TAN		DATE
		JOB No. 10-10	DRG. No. 27A13	REV. 1

BILL OF MATERIAL					
SHIP	MARK	NO PCS	DESCRIPTION	LENGTH	REMARKS
2	27A13	2	L5X3-1/2X3/8	6'-0"	SQ-2 A36 PRIMED

**Avenue Fabricating Inc.**  
 1281 Clough Pike  
 Batavia, OH 45103  
 (513) 752-1911



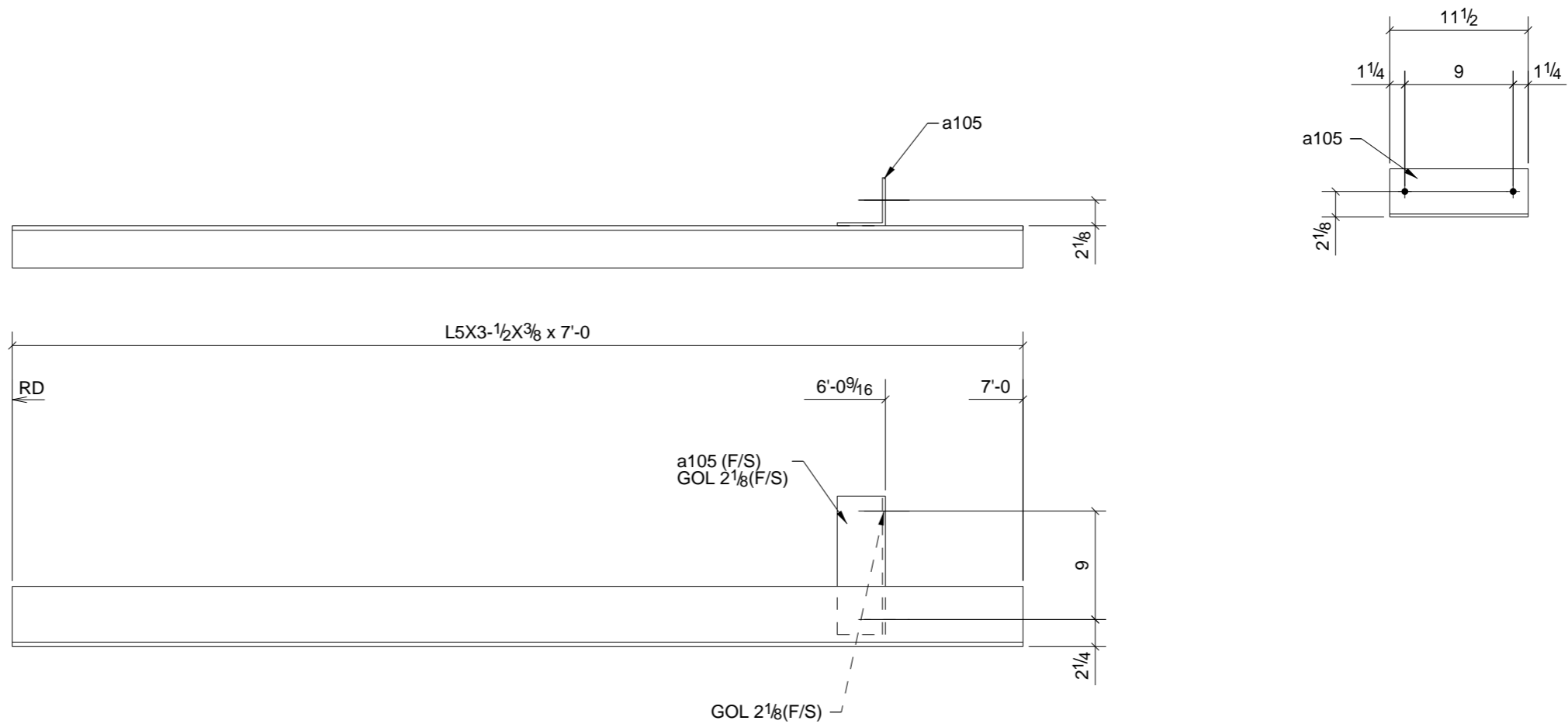
PHASE				
1	2	3	4	5
0	2	0	0	0

## 2 - ANGLES - 27A14

A	For Approval	06/28/10	TMc	-
REV.	DESCRIPTION	DATE	DWN	CHK
<b>GENERAL NOTES</b>		JOB USE		
MATERIAL: A992 / A36	ELECTRODES: E70XX LH	REF. DRG.		
HOLES: 13/16 DIA. U/N	CONN'S.: -	SHOP		
SURFACE PREP. SSPC-SP-2 AND PAINT: GREY PRIMER DEVOE NA-195 (U.N.)		APPROVAL		
DESCRIPTION: ANGLE				
PROJECT NAME Eida Elementary School Addition/Remodel				
LOCATION Eida Local School District - Hamilton, O				
CONTRACTOR Endeavor				
<b>Avenue Fabricating Inc.</b>		DRAWN BY		DATE
1281 Clough Pike Batavia, OH 45103 (513) 752-1911		TMc		06/28/2010
		CHKD. BY		DATE
		TAN		
		JOB No.	DRG. No.	REV.
		10-10	27A14	1

### BILL OF MATERIAL

SHIP	MARK	NO PCS	DESCRIPTION	LENGTH	PIECE MARK	REMARKS
2	27A14	2	L5X3-1/2X3/8	5'-9 1/2"		SQ-2 A36 PRIMED
		2	L4X4X1/4	0'-11 1/2"	a105	A36 PRIMED



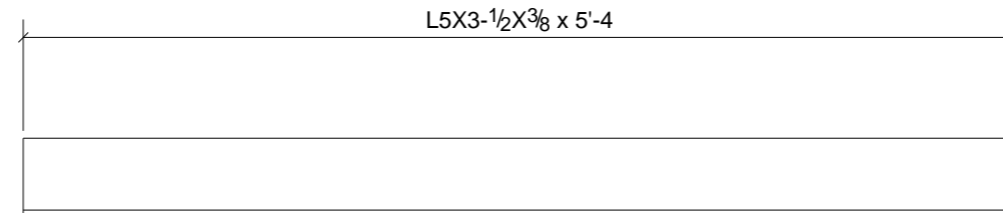
**2 - ANGLES - 27A15**

PHASE				
1	2	3	4	5
0	2	0	0	0

**BILL OF MATERIAL**

SHIP	MARK	NO PCS	DESCRIPTION	LENGTH	PIECE MARK	REMARKS
2	27A15	2	L5X3-1/2X3/8	7'-0"		SQ-2 A36 PRIMED
		2	L4X4X1/4	0'-11 1/2"	a105	A36 PRIMED

A	For Approval	06/28/10	TMc	-
REV.	DESCRIPTION	DATE	DWN	CHK
<b>GENERAL NOTES</b>		JOB USE		
MATERIAL: A992 / A36	ELECTRODES: E70XX LH	REF. DRG.		
HOLES: 13/16 DIA. U/N	CONN'S.: -	SHOP		
SURFACE PREP: SSPC-SP-2 AND PAINT: GREY PRIMER DEVOE NA-195 (U.N.)		APPROVAL		
DESCRIPTION: ANGLE				
PROJECT NAME: Elda Elementary School Addition/Remodel				
LOCATION: Elda Local School District - Hamilton, O				
CONTRACTOR: Endeavor				
<b>Avenue Fabricating Inc.</b> 1281 Clough Pike Batavia, OH 45103 (513) 752-1911		DRAWN BY	DATE	
		TMc	06/28/2010	
		CHKD. BY	DATE	
		TAN		
JOB No.	DRG. No.	REV.		
10-10	27A15	1		

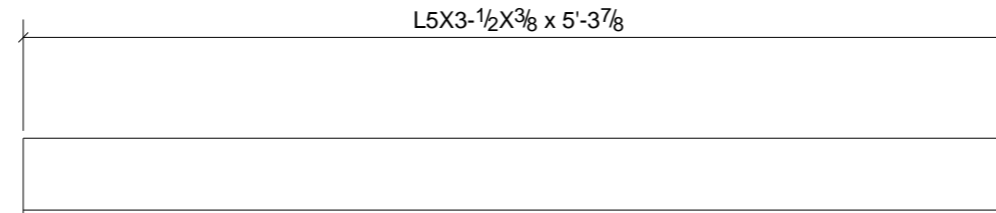


PHASE				
1	2	3	4	5
0	1	0	0	0

ONE - ANGLE - 27A16

BILL OF MATERIAL						
SHIP	MARK	NO PCS	DESCRIPTION	LENGTH	PIECE MARK	REMARKS
1	27A16	1	L5X3-1/2X3/8	5'-4"		SQ-2 A36 PRIMED

A	For Approval	06/28/10	TMc	-
REV.	DESCRIPTION	DATE	DWN	CHK
GENERAL NOTES			JOB USE	
MATERIAL: A992 / A36	ELECTRODES: E70XX LH	REF. DRG.	SHOP	
HOLES: 13/16 DIA. U/N	CONN'S.: -		APPROVAL	
SURFACE PREP. SSPC-SP-2 AND PAINT: GREY PRIMER DEVOE NA-195 (U.N.)				
DESCRIPTION: ANGLE				
PROJECT NAME Eida Elementary School Addition/Remodel				
LOCATION Eida Local School District - Hamilton, O				
CONTRACTOR Endeavor				
Avenue Fabricating Inc. 1281 Clough Pike Batavia, OH 45103 (513) 752-1911		DRAWN BY	DATE	
		TMc	06/28/2010	
		CHKD. BY	DATE	
		TAN		
		JOB No.	DRG. No.	REV.
		10-10	27A16	1

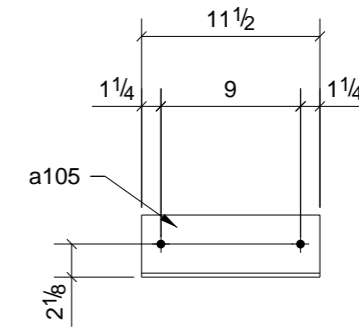
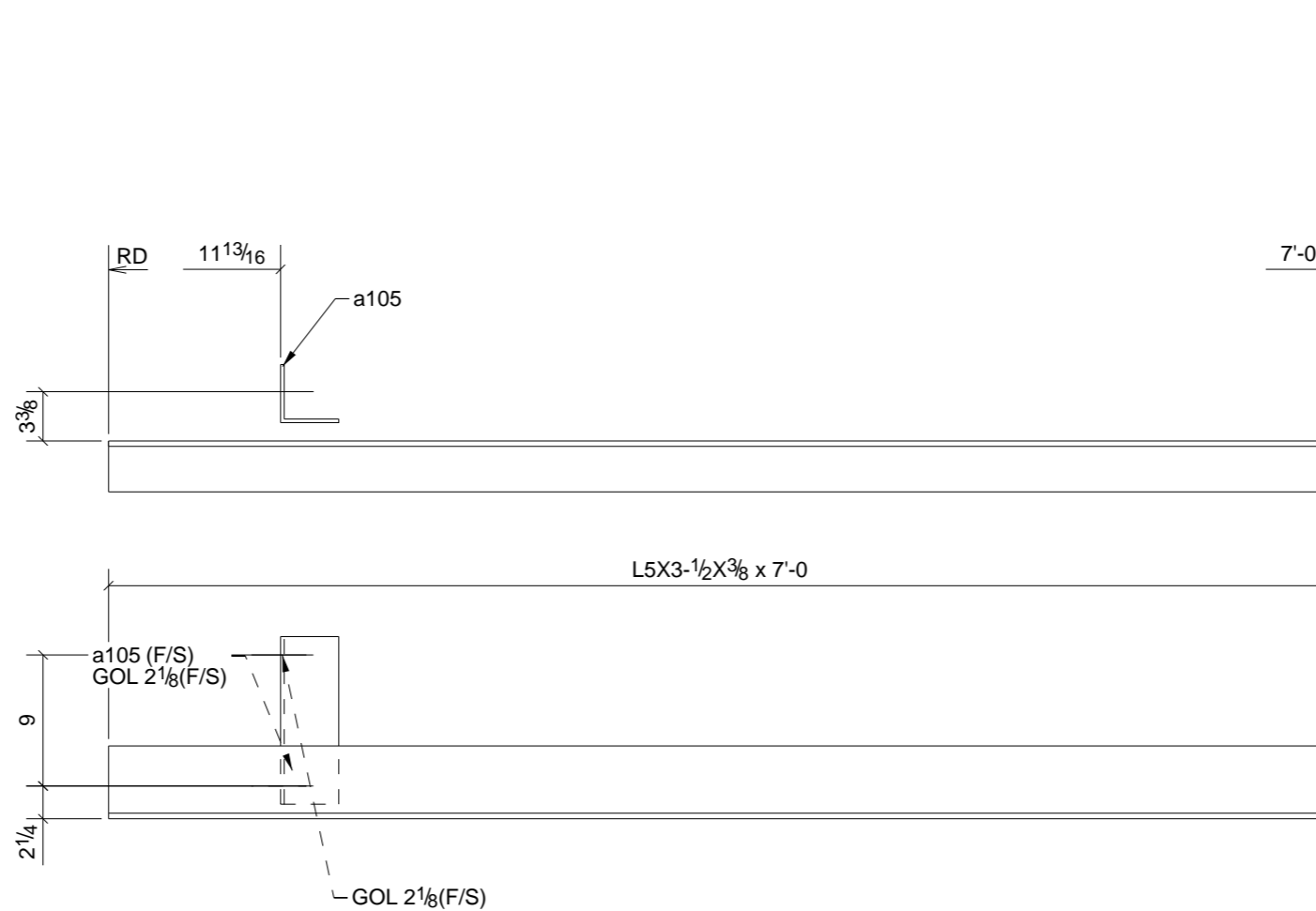


PHASE				
1	2	3	4	5
0	2	0	0	0

## 2 - ANGLES - 27A17

A	For Approval	06/28/10	TMc	-
REV.	DESCRIPTION	DATE	DWN	CHK
<b>GENERAL NOTES</b>			JOB USE	
MATERIAL: A992 / A36	ELECTRODES: E70XX LH	REF. DRG.	SHOP	
HOLES: 13/16 DIA. U/N	CONN'S.: -		APPROVAL	
SURFACE PREP: SSPC-SP-2 AND PAINT: GREY PRIMER DEVOE NA-195 (U.N.)				
DESCRIPTION: ANGLE				
PROJECT NAME: Elda Elementary School Addition/Remodel				
LOCATION: Elda Local School District - Hamilton, O				
CONTRACTOR: Endeavor				
<b>Avenue Fabricating Inc.</b> 1281 Clough Pike Batavia, OH 45103 (513) 752-1911		DRAWN BY		DATE
		TMc		06/28/2010
		CHKD. BY		DATE
		TAN		
JOB No.		DRG. No.	REV.	
10-10		27A17	1	

BILL OF MATERIAL						
SHIP	MARK	NO PCS	DESCRIPTION	LENGTH	PIECE MARK	REMARKS
2	27A17	2	L5X3-1/2X3/8	5'-3 7/8"		SQ-2 A36 PRIMED



SHOP NOTE:  
 ALL MATERIAL IS PLAIN, ANY CUTS OR  
 COPEs OTHER THAN SQUARE CUTS ARE  
 FOR DRAFTING REFERENCE ONLY. MARK  
 ASSEMBY & SUB MARKS FOR SHIPPING  
 APPROVER / CONTRACTOR NOTE:  
 OVERALL DIMENSIONS ARE FOR REFERENCE  
 TO REQUEST VERIFICATION OF  
 SUFFICIENT MATERIAL FOR FIELD TRIM &  
 WELDING ROOF MEMBERS REINFORCING  
 HVAC DUCTS & EQUIPMENT, SEE PLANS  
 FOR ASSY MARK.

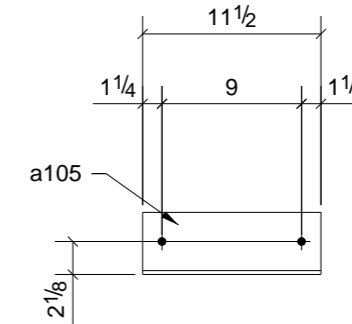
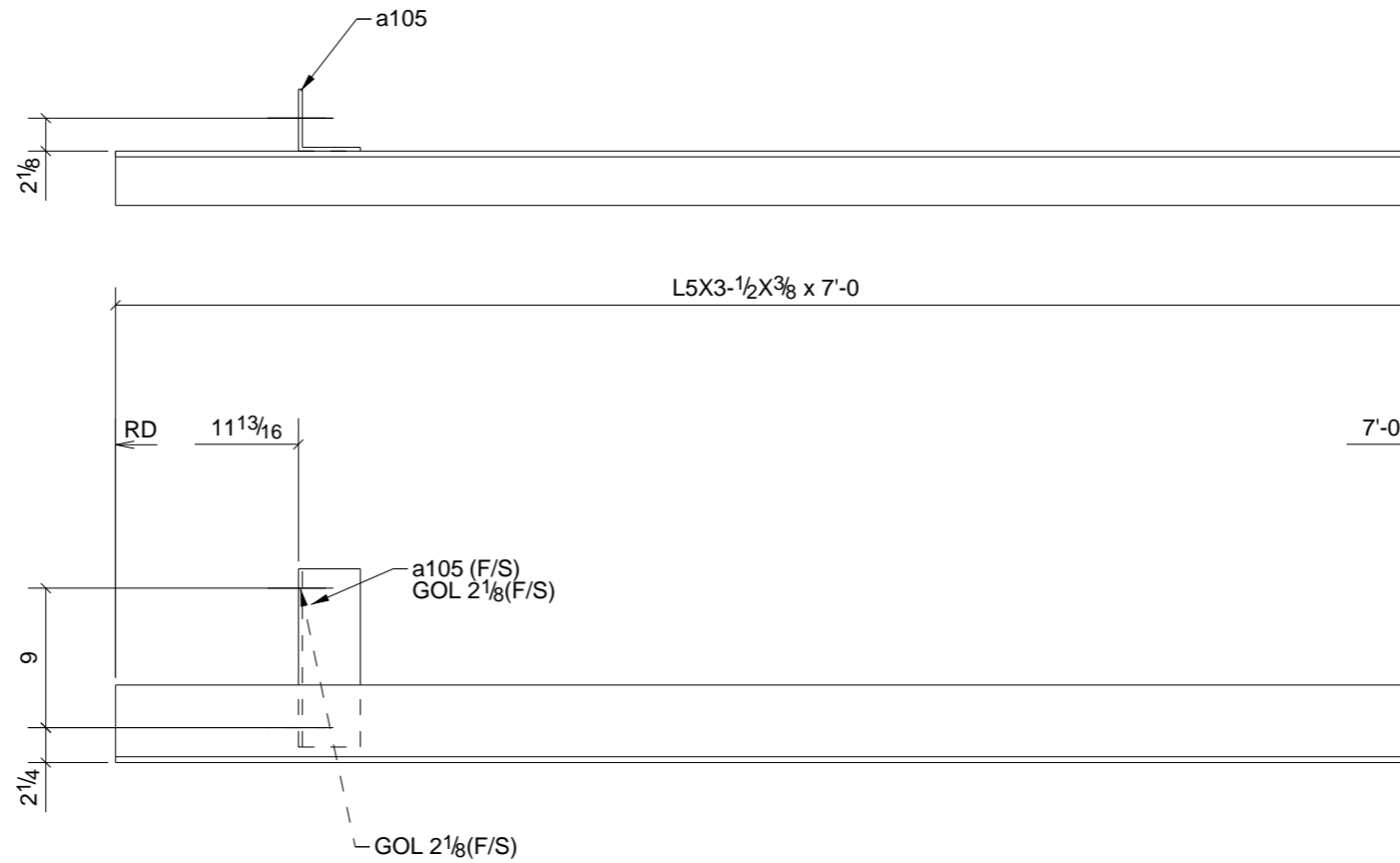
PHASE				
1	2	3	4	5
0	1	0	0	0

## ONE - ANGLE - 27A18

A	For Approval	06/28/10	TMc	-
REV.	DESCRIPTION	DATE	DWN	CHK
<b>GENERAL NOTES</b>		JOB USE		
MATERIAL: A992 / A36	ELECTRODES: E70XX LH	REF. DRG.		
HOLES: 13/16 DIA. U/N	CONN'S.: -	SHOP		
SURFACE PREP: SSPC-SP-2 AND PAINT: GREY PRIMER DEVOE NA-195 (U.N.)		APPROVAL		
DESCRIPTION: ANGLE				
PROJECT NAME: Eida Elementary School Addition/Remodel				
LOCATION: Eida Local School District - Hamilton, O				
CONTRACTOR: Endeavor				
<b>Avenue Fabricating Inc.</b> 1281 Clough Pike Batavia, OH 45103 (513) 752-1911		DRAWN BY	DATE	
		TMc	06/28/2010	
		CHKD. BY	DATE	
		TAN		
JOB No. 10-10		DRG. No. 27A18	REV. 1	

### BILL OF MATERIAL

SHIP	MARK	NO PCS	DESCRIPTION	LENGTH	PIECE MARK	REMARKS
1	27A18	1	L5X3-1/2X3/8	7'-0"		SQ-2 A36 PRIMED
		1	L4X4X1/4	0'-11 1/2"	a105	A36 PRIMED



SHOP NOTE:  
 ALL MATERIAL IS PLAIN, ANY CUTS OR  
 COPEs OTHER THAN SQUARE CUTS ARE  
 FOR DRAFTING REFERENCE ONLY. MARK  
 ASSEMBY & SUB MARKS FOR SHIPPING  
 APPROVER / CONTRACTOR NOTE:  
 OVERALL DIMENSIONS ARE FOR REFERENCE  
 TO REQUEST VERIFICATION OF  
 SUFFICIENT MATERIAL FOR FIELD TRIM &  
 WELDING ROOF MEMBERS REINFORCING  
 HVAC DUCTS & EQUIPMENT, SEE PLANS  
 FOR ASSY MARK.

PHASE				
1	2	3	4	5
0	1	0	0	0

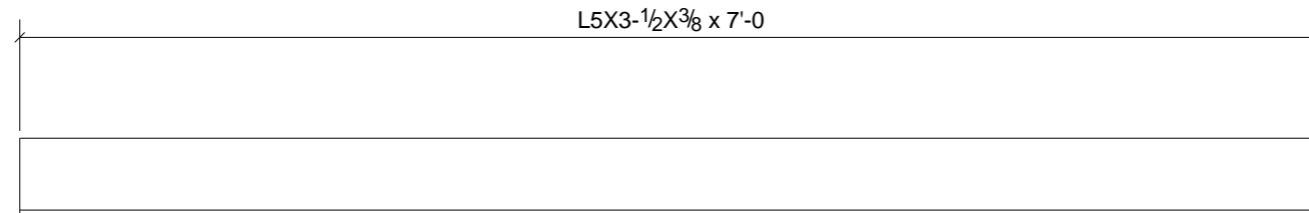
ONE - ANGLE - 27A19

A	For Approval	06/28/10	TMc	-
REV.	DESCRIPTION	DATE	DWN	CHK
<b>GENERAL NOTES</b>		JOB USE		
MATERIAL: A992 / A36	ELECTRODES: E70XX LH	REF. DRG.		
HOLES: 13/16 DIA. U/N	CONN'S.: -		SHOP	
SURFACE PREP: SSPC-SP-2 AND PAINT: GREY PRIMER DEVOE NA-195 (U.N.)			APPROVAL	
DESCRIPTION:	ANGLE			
PROJECT NAME	Elda Elementary School Addition/Remodel			
LOCATION	Elda Local School District - Hamilton, O			
CONTRACTOR	Endeavor			
<b>Avenue Fabricating Inc.</b> 1281 Clough Pike Batavia, OH 45103 (513) 752-1911		DRAWN BY	DATE	
		TMc	06/28/2010	
		CHKD. BY	DATE	
		TAN		
JOB No.	DRG. No.	REV.		
10-10	27A19	1		

**BILL OF MATERIAL**

SHIP	MARK	NO PCS	DESCRIPTION	LENGTH	PIECE MARK	REMARKS
1	27A19	1	L5X3-1/2X3/8	7'-0"		SQ-2 A36 PRIMED
		1	L4X4X1/4	0'-11 1/2"	a105	A36 PRIMED





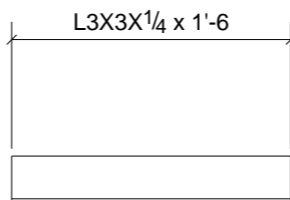
PHASE				
1	2	3	4	5
0	54	0	0	0

## 54 - ANGLES - 27A2

A	For Approval	06/28/10	TMc	-
REV.	DESCRIPTION	DATE	DWN	CHK
<b>GENERAL NOTES</b>			JOB USE	
MATERIAL: A992 / A36	ELECTRODES: E70XX LH	REF. DRG.	SHOP	
HOLES: 13/16 DIA. U/N	CONN'S.: -		APPROVAL	
SURFACE PREP. SSPC-SP-2 AND PAINT: GREY PRIMER DEVOE NA-195 (U.N.)				
DESCRIPTION: ANGLE				
PROJECT NAME Eida Elementary School Addition/Remodel				
LOCATION Eida Local School District - Hamilton, O				
CONTRACTOR Endeavor				
<b>Avenue Fabricating Inc.</b> 1281 Clough Pike Batavia, OH 45103 (513) 752-1911		DRAWN BY		DATE
		TMc		06/28/2010
		CHKD. BY		DATE
		TAN		
JOB No.		DRG. No.	REV.	
10-10		27A2	1	

BILL OF MATERIAL						
SHIP	MARK	NO PCS	DESCRIPTION	LENGTH	PIECE MARK	REMARKS
54	27A2	54	L5X3-1/2X3/8	7'-0"		SQ-2 A36 PRIMED

GRID LOCATION	BOTTOM ELEVATION
<1/A>	109'-4"1/2



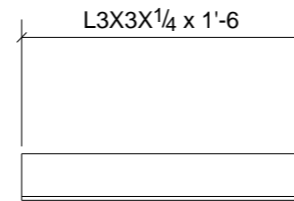
PHASE				
1	2	3	4	5
0	1	0	0	0

**ONE - ANGLE - 27A20**

A	For Approval	06/28/10	TMc	-
REV.	DESCRIPTION	DATE	DWN	CHK
<b>GENERAL NOTES</b>		JOB USE		
MATERIAL: A992 / A36	ELECTRODES: E70XX LH	REF. DRG.		
HOLES: 13/16 DIA. U/N	CONN'S.: -		SHOP	
SURFACE PREP. SSPC-SP-2			APPROVAL	
AND PAINT: GREY PRIMER DEVOE NA-195 (U.N.)				
DESCRIPTION: ANGLE				
PROJECT NAME Eida Elementary School Addition/Remodel				
LOCATION Eida Local School District - Hamilton, O				
CONTRACTOR Endeavor				
<b>Avenue Fabricating Inc.</b> 1281 Clough Pike Batavia, OH 45103 (513) 752-1911		DRAWN BY	DATE	
		TMc	06/28/2010	
		CHKD. BY	DATE	
		TAN		
		JOB No.	DRG. No.	REV.
		10-10	27A20	1

**BILL OF MATERIAL**

SHIP	MARK	NO PCS	DESCRIPTION	LENGTH	PIECE MARK	REMARKS
1	27A20	1	L3X3X1/4	1'-6"		SQ-2 A36 PRIMED

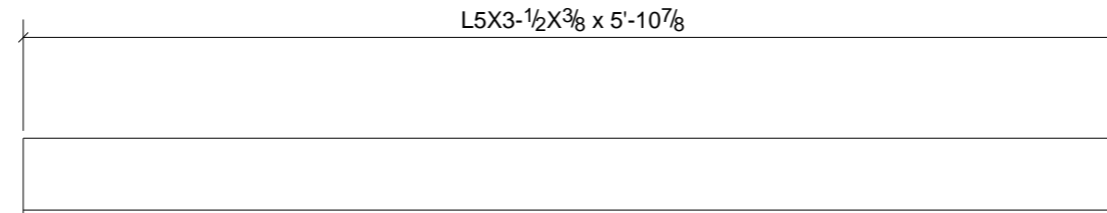


ONE - ANGLE - 27A21

PHASE				
1	2	3	4	5
0	1	0	0	0

A	For Approval	06/28/10	TMc	-
REV.	DESCRIPTION	DATE	DWN	CHK
<b>GENERAL NOTES</b>			JOB USE	
MATERIAL: A992 / A36	ELECTRODES: E70XX LH	REF. DRG.	SHOP	
HOLES: 13/16 DIA. U/N	CONN'S.: -		APPROVAL	
SURFACE PREP. <b>SSPC-SP-2</b> AND PAINT: <b>GREY PRIMER DEVOE NA-195 (U.N.)</b>				
DESCRIPTION: ANGLE				
PROJECT NAME Eida Elementary School Addition/Remodel				
LOCATION Eida Local School District - Hamilton, O				
CONTRACTOR Endeavor				
<b>Avenue Fabricating Inc.</b> 1281 Clough Pike Batavia, OH 45103 (513) 752-1911		DRAWN BY	DATE	
		TMc	06/28/2010	
		CHKD. BY	DATE	
		TAN		
JOB No.	DRG. No.	REV.		
10-10	27A21	1		

BILL OF MATERIAL						
SHIP	MARK	NO PCS	DESCRIPTION	LENGTH	PIECE MARK	REMARKS
1	27A21	1	L3X3X1/4	1'-6"		SQ-2 A36 PRIMED



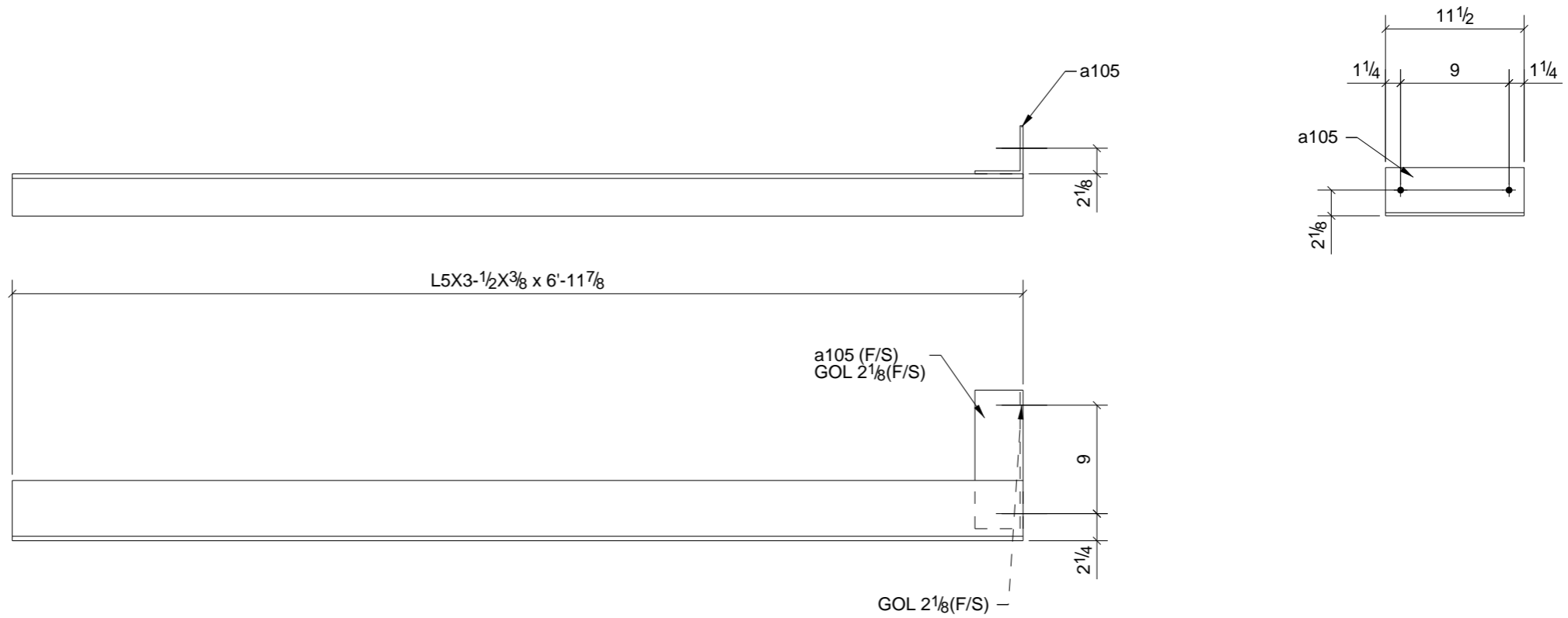
PHASE				
1	2	3	4	5
0	2	0	0	0

**2 - ANGLES - 27A22**

A	For Approval	06/28/10	TMc	-
REV.	DESCRIPTION	DATE	DWN	CHK
<b>GENERAL NOTES</b>			JOB USE	
MATERIAL: A992 / A36	ELECTRODES: E70XX LH	REF. DRG.	SHOP	
HOLES: 13/16 DIA. U/N	CONN'S.: -		APPROVAL	
SURFACE PREP. SSPC-SP-2 AND PAINT: GREY PRIMER DEVOE NA-195 (U.N.)				
DESCRIPTION: ANGLE				
PROJECT NAME Eida Elementary School Addition/Remodel				
LOCATION Eida Local School District - Hamilton, O				
CONTRACTOR Endeavor				
		DRAWN BY TMc		DATE 06/28/2010
		CHKD. BY TAN		DATE
		JOB No. 10-10	DRG. No. 27A22	REV. 1

BILL OF MATERIAL					
SHIP	MARK	NO PCS	DESCRIPTION	LENGTH	REMARKS
2	27A22	2	L5X3-1/2X3/8	5'-10 7/8"	SQ-2 A36 PRIMED

**Avenue Fabricating Inc.**  
 1281 Clough Pike  
 Batavia, OH 45103  
 (513) 752-1911



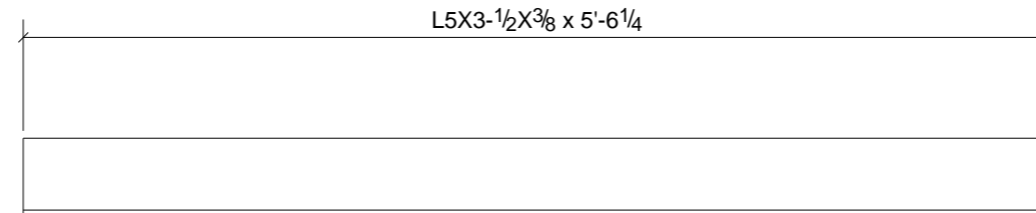
ONE - ANGLE - 27A23

PHASE				
1	2	3	4	5
0	1	0	0	0

**BILL OF MATERIAL**

SHIP	MARK	NO PCS	DESCRIPTION	LENGTH	PIECE MARK	REMARKS
1	27A23	1	L5X3-1/2X3/8	6'-11 7/8"		SQ-2 A36 PRIMED
		1	L4X4X1/4	0'-11 1/2"	a105	A36 PRIMED

A	For Approval	06/28/10	TMc	-
REV.	DESCRIPTION	DATE	DWN	CHK
<b>GENERAL NOTES</b>		JOB USE		
MATERIAL: A992 / A36	ELECTRODES: E70XX LH	REF. DRG.		
HOLES: 13/16 DIA. U/N	CONN'S.: -	SHOP		
SURFACE PREP: SSPC-SP-2 AND PAINT: GREY PRIMER DEVOE NA-195 (U.N.)		APPROVAL		
DESCRIPTION: ANGLE				
PROJECT NAME: Elda Elementary School Addition/Remodel				
LOCATION: Elda Local School District - Hamilton, O				
CONTRACTOR: Endeavor				
<b>Avenue Fabricating Inc.</b> 1281 Clough Pike Batavia, OH 45103 (513) 752-1911		DRAWN BY		DATE
		TMc		06/28/2010
		CHKD. BY		DATE
		TAN		
JOB No.		DRG. No.	REV.	
10-10		27A23	1	

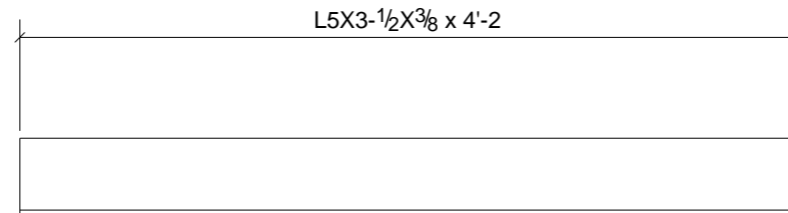


PHASE				
1	2	3	4	5
0	14	0	0	0

## 14 - ANGLES - 27A24

A	For Approval	06/28/10	TMc	-
REV.	DESCRIPTION	DATE	DWN	CHK
<b>GENERAL NOTES</b>			JOB USE	
MATERIAL: A992 / A36	ELECTRODES: E70XX LH	REF. DRG.	SHOP	
HOLES: 13/16 DIA. U/N	CONN'S.: -		APPROVAL	
SURFACE PREP. SSPC-SP-2 AND PAINT: GREY PRIMER DEVOE NA-195 (U.N.)				
DESCRIPTION: ANGLE				
PROJECT NAME Eida Elementary School Addition/Remodel				
LOCATION Eida Local School District - Hamilton, O				
CONTRACTOR Endeavor				
<b>Avenue Fabricating Inc.</b> 1281 Clough Pike Batavia, OH 45103 (513) 752-1911		DRAWN BY		DATE
		TMc		06/28/2010
		CHKD. BY		DATE
		TAN		
JOB No.		DRG. No.	REV.	
10-10		27A24	1	

BILL OF MATERIAL						
SHIP	MARK	NO PCS	DESCRIPTION	LENGTH	PIECE MARK	REMARKS
14	27A24	14	L5X3-1/2X3/8	5'-6 1/4"		SQ-2 A36 PRIMED



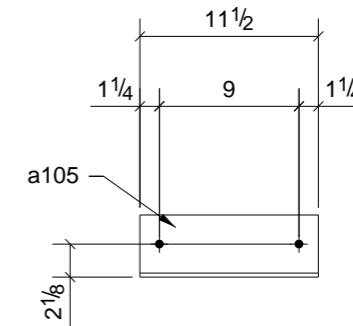
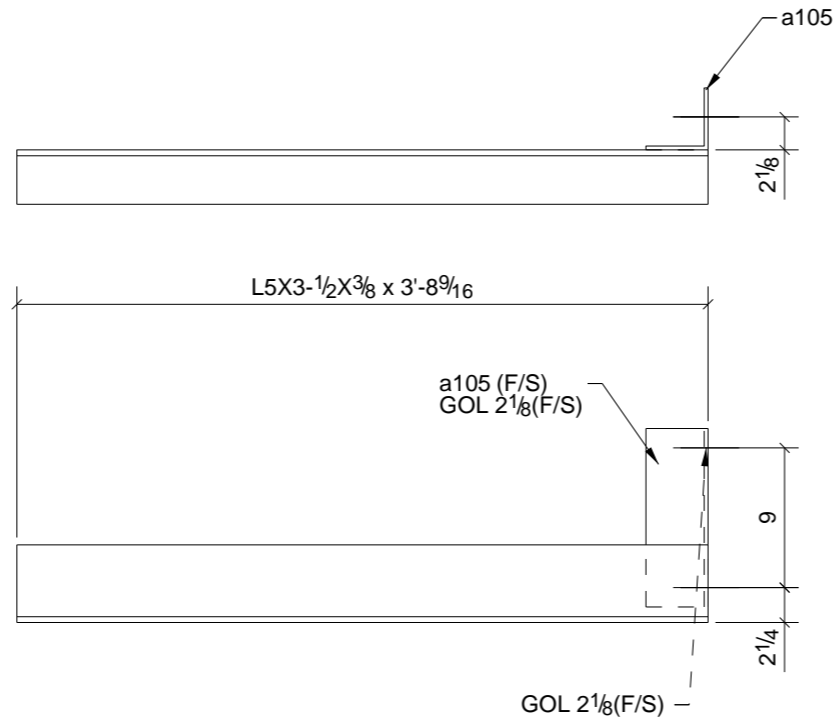
PHASE				
1	2	3	4	5
0	3	0	0	0

### 3 - ANGLES - 27A25

A	For Approval	06/28/10	TMc	-
REV.	DESCRIPTION	DATE	DWN	CHK
<b>GENERAL NOTES</b>			JOB USE	
MATERIAL: A992 / A36	ELECTRODES: E70XX LH	REF. DRG.	SHOP	
HOLES: 13/16 DIA. U/N	CONN'S.: -		APPROVAL	
SURFACE PREP. <b>SSPC-SP-2</b> AND PAINT: <b>GREY PRIMER DEVOE NA-195 (U.N.)</b>				
DESCRIPTION: ANGLE				
PROJECT NAME Eida Elementary School Addition/Remodel				
LOCATION Eida Local School District - Hamilton, O				
CONTRACTOR Endeavor				
		DRAWN BY TMc		DATE 06/28/2010
		CHKD. BY TAN		DATE
		JOB No. 10-10	DRG. No. 27A25	REV. 1

BILL OF MATERIAL						
SHIP	MARK	NO PCS	DESCRIPTION	LENGTH	PIECE MARK	REMARKS
3	27A25	3	L5X3-1/2X3/8	4'-2"		SQ-2 A36 PRIMED

**Avenue Fabricating Inc.**  
 1281 Clough Pike  
 Batavia, OH 45103  
 (513) 752-1911



SHOP NOTE:  
 ALL MATERIAL IS PLAIN, ANY CUTS OR  
 COPEs OTHER THAN SQUARE CUTS ARE  
 FOR DRAFTING REFERENCE ONLY. MARK  
 ASSEMBY & SUB MARKS FOR SHIPPING  
 APPROVER / CONTRACTOR NOTE:  
 OVERALL DIMENSIONS ARE FOR REFERENCE  
 TO REQUEST VERIFICATION OF  
 SUFFICIENT MATERIAL FOR FIELD TRIM &  
 WELDING ROOF MEMBERS REINFORCING  
 HVAC DUCTS & EQUIPMENT, SEE PLANS  
 FOR ASSY MARK.

PHASE				
1	2	3	4	5
0	2	0	0	0

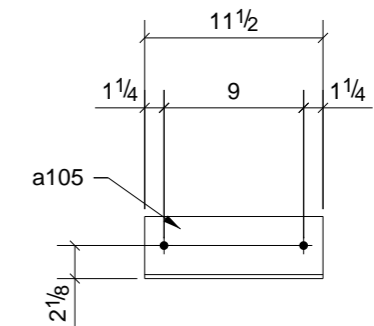
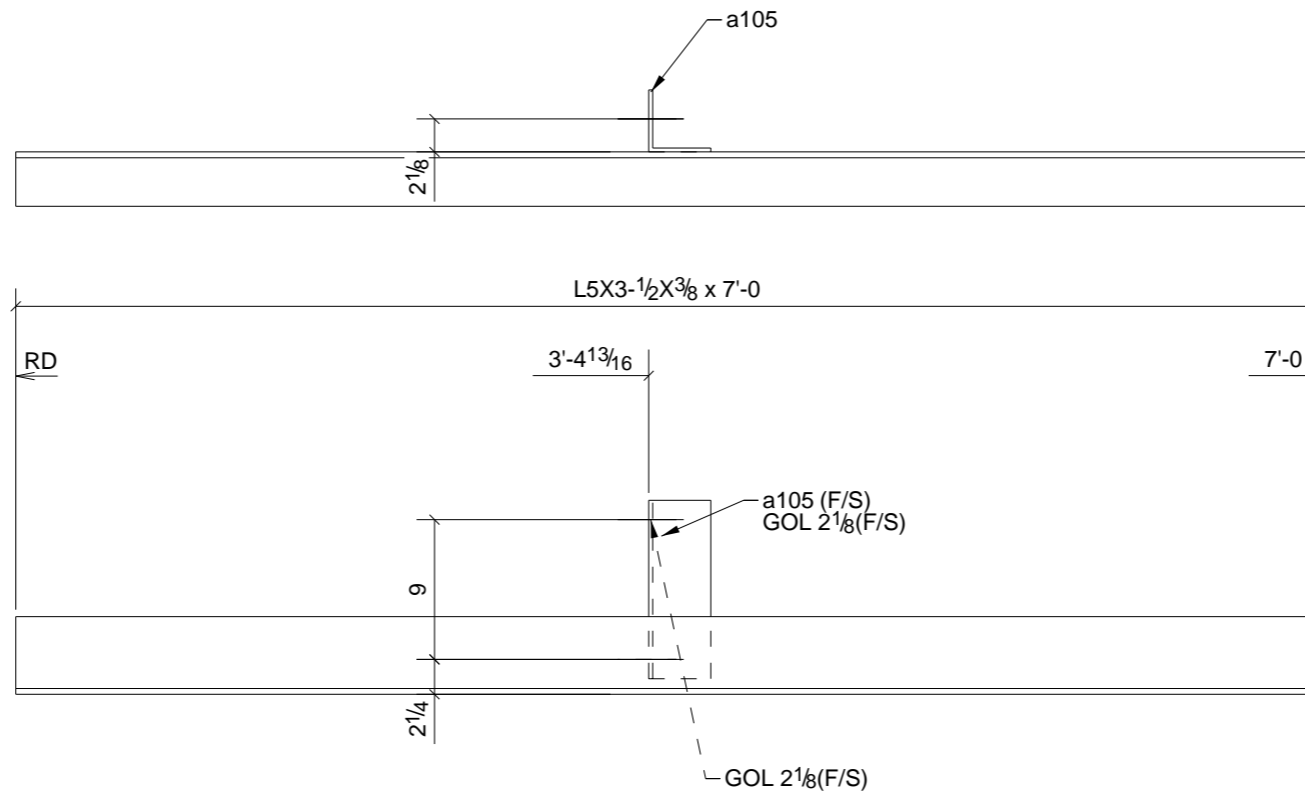
## 2 - ANGLES - 27A26

A	For Approval	06/28/10	TMc	-
REV.	DESCRIPTION	DATE	DWN	CHK
<b>GENERAL NOTES</b>		JOB USE		
MATERIAL: A992 / A36	ELECTRODES: E70XX LH	REF. DRG.		
HOLES: 13/16 DIA. U/N	CONN'S.: -		SHOP	
SURFACE PREP. SSPC-SP-2 AND PAINT: GREY PRIMER DEVOE NA-195 (U.N.)			APPROVAL	
DESCRIPTION:	ANGLE			
PROJECT NAME	Elda Elementary School Addition/Remodel			
LOCATION	Elda Local School District - Hamilton, O			
CONTRACTOR	Endeavor			
<b>Avenue Fabricating Inc.</b> 1281 Clough Pike Batavia, OH 45103 (513) 752-1911		DRAWN BY	DATE	
		TMc	06/28/2010	
		CHKD. BY	DATE	
		TAN		
JOB No.	DRG. No.	REV.		
10-10	27A26	1		

## BILL OF MATERIAL

SHIP	MARK	NO PCS	DESCRIPTION	LENGTH	PIECE MARK	REMARKS
2	27A26	2	L5X3-1/2X3/8	3'-8 9/16"		SQ-2 A36 PRIMED
		2	L4X4X1/4	0'-11 1/2"	a105	A36 PRIMED





SHOP NOTE:  
 ALL MATERIAL IS PLAIN, ANY CUTS OR  
 COPEES OTHER THAN SQUARE CUTS ARE  
 FOR DRAFTING REFERENCE ONLY. MARK  
 ASSEMBLY & SUB MARKS FOR SHIPPING  
 APPROVER / CONTRACTOR NOTE:  
 OVERALL DIMENSIONS ARE FOR REFERENCE  
 TO REQUEST VERIFICATION OF  
 SUFFICIENT MATERIAL FOR FIELD TRIM &  
 WELDING ROOF MEMBERS REINFORCING  
 HVAC DUCTS & EQUIPMENT, SEE PLANS  
 FOR ASSY MARK.

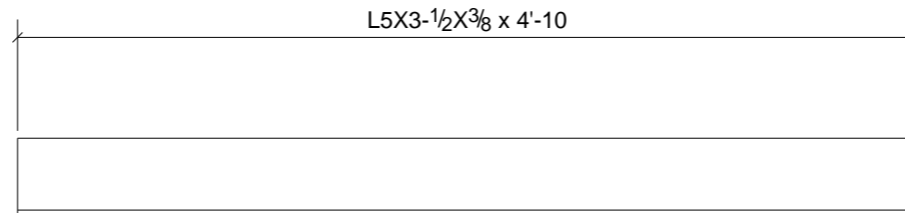
PHASE				
1	2	3	4	5
0	4	0	0	0

## 4 - ANGLES - 27A27

A	For Approval	06/28/10	TMc	-
REV.	DESCRIPTION	DATE	DWN	CHK
<b>GENERAL NOTES</b>		JOB USE		
MATERIAL: A992 / A36	ELECTRODES: E70XX LH	REF. DRG.		
HOLES: 13/16 DIA. U/N	CONN'S.: -		SHOP	
SURFACE PREP: SSPC-SP-2 AND PAINT: GREY PRIMER DEVOE NA-195 (U.N.)			APPROVAL	
DESCRIPTION: ANGLE				
PROJECT NAME: Elda Elementary School Addition/Remodel				
LOCATION: Elda Local School District - Hamilton, O				
CONTRACTOR: Endeavor				
<b>Avenue Fabricating Inc.</b> 1281 Clough Pike Batavia, OH 45103 (513) 752-1911		DRAWN BY	DATE	
		TMc	06/28/2010	
		CHKD. BY	DATE	
		TAN		
		JOB No.	DRG. No.	REV.
		10-10	27A27	1

## BILL OF MATERIAL

SHIP	MARK	NO PCS	DESCRIPTION	LENGTH	PIECE MARK	REMARKS
4	27A27	4	L5X3-1/2X3/8	7'-0"		SQ-2 A36 PRIMED
		4	L4X4X1/4	0'-11 1/2"	a105	A36 PRIMED



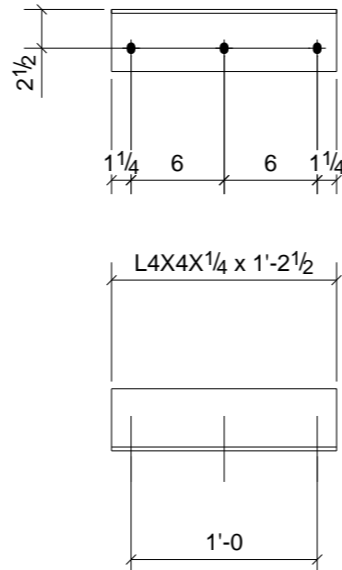
PHASE				
1	2	3	4	5
0	4	0	0	0

## 4 - ANGLES - 27A28

A	For Approval	06/28/10	TMc	-
REV.	DESCRIPTION	DATE	DWN	CHK
<b>GENERAL NOTES</b>			JOB USE	
MATERIAL: A992 / A36	ELECTRODES: E70XX LH	REF. DRG.	SHOP	
HOLES: 13/16 DIA. U/N	CONN'S.: -		APPROVAL	
SURFACE PREP. <b>SSPC-SP-2</b> AND PAINT: <b>GREY PRIMER DEVOE NA-195 (U.N.)</b>				
DESCRIPTION: ANGLE				
PROJECT NAME Eida Elementary School Addition/Remodel				
LOCATION Eida Local School District - Hamilton, O				
CONTRACTOR Endeavor				
<b>Avenue Fabricating Inc.</b> 1281 Clough Pike Batavia, OH 45103 (513) 752-1911		DRAWN BY	DATE	
		TMc	06/28/2010	
		CHKD. BY	DATE	
TAN				
JOB No.	DRG. No.	REV.		
10-10	27A28	1		

BILL OF MATERIAL						
SHIP	MARK	NO PCS	DESCRIPTION	LENGTH	PIECE MARK	REMARKS
4	27A28	4	L5X3-1/2X3/8	4'-10"		SQ-2 A36 PRIMED

GRID LOCATION	BOTTOM ELEVATION
<1/A>	108'-1"9/16
<1/A>	108'-1"9/16
<1/A>	108'-1"9/16



PHASE				
1	2	3	4	5
0	3	0	0	0

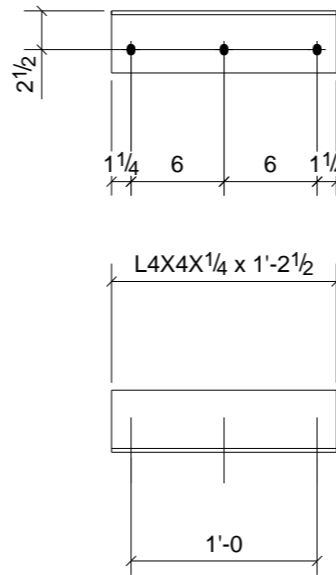
### 3 - ANGLES - 27A29

### BILL OF MATERIAL

SHIP	MARK	NO PCS	DESCRIPTION	LENGTH	PIECE MARK	REMARKS
3	27A29	3	L4X4X1/4	1'-2 1/2"	SQ-2 A36	

A	For Approval	06/28/10	TMc	-
REV.	DESCRIPTION	DATE	DWN	CHK
<b>GENERAL NOTES</b>			JOB USE	
MATERIAL: A992 / A36	ELECTRODES: E70XX LH	REF. DRG.	SHOP	
HOLES: 13/16 DIA. U/N	CONN'S.: -		APPROVAL	
SURFACE PREP: SSPC-SP-2 AND PAINT: GREY PRIMER DEVOE NA-195 (U.N.)				
DESCRIPTION: ANGLE				
PROJECT NAME: Eida Elementary School Addition/Remodel				
LOCATION: Eida Local School District - Hamilton, O				
CONTRACTOR: Endeavor				
Avenue Fabricating Inc. 1281 Clough Pike Batavia, OH 45103 (513) 752-1911		DRAWN BY	DATE	
		TMc	06/28/2010	
		CHKD. BY	DATE	
		TAN		
		JOB No.	DRG. No.	REV.
		10-10	27A29	1

GRID LOCATION	BOTTOM ELEVATION
<1/A>	109'-4"7/16



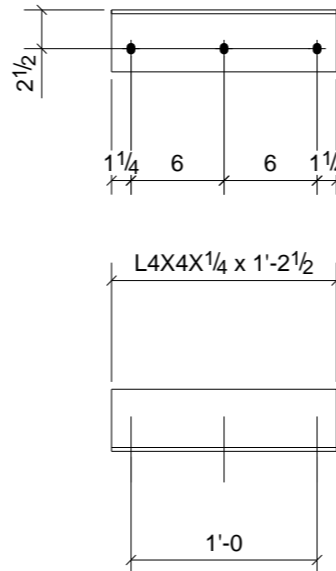
**ONE - ANGLE - 27A3**

PHASE				
1	2	3	4	5
0	1	0	0	0

**BILL OF MATERIAL**

SHIP	MARK	NO PCS	DESCRIPTION	LENGTH	PIECE MARK	REMARKS
1	27A3	1	L4X4X1/4	1'-2 1/2"		SQ-2 A36

A	For Approval	06/28/10	TMc	-
REV.	DESCRIPTION	DATE	DWN	CHK
<b>GENERAL NOTES</b>			JOB USE	
MATERIAL: A992 / A36	ELECTRODES: E70XX LH	REF. DRG.	SHOP	
HOLES: 13/16 DIA. U/N	CONN'S.: -		APPROVAL	
SURFACE PREP: SSPC-SP-2 AND PAINT: GREY PRIMER DEVOE NA-195 (U.N.)				
DESCRIPTION: ANGLE				
PROJECT NAME: Eida Elementary School Addition/Remodel				
LOCATION: Eida Local School District - Hamilton, O				
CONTRACTOR: Endeavor				
<b>Avenue Fabricating Inc.</b> 1281 Clough Pike Batavia, OH 45103 (513) 752-1911		DRAWN BY	DATE	
		TMc	06/28/2010	
		CHKD. BY	DATE	
TAN				
JOB No.	DRG. No.	REV.		
10-10	27A3	1		



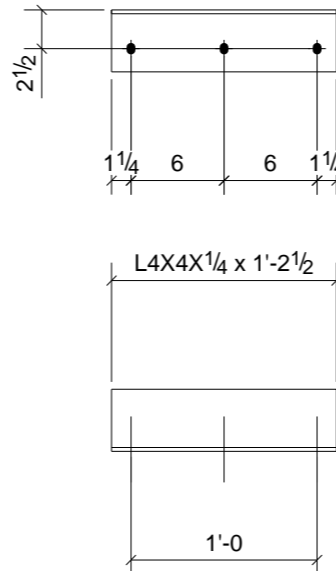
PHASE				
1	2	3	4	5
0	3	0	0	0

### 3 - ANGLES - 27A30

### BILL OF MATERIAL

SHIP	MARK	NO PCS	DESCRIPTION	LENGTH	PIECE MARK	REMARKS
3	27A30	3	L4X4X1/4	1'-2 1/2"		SQ-2 A36

A	For Approval	06/28/10	TMc	-
REV.	DESCRIPTION	DATE	DWN	CHK
<b>GENERAL NOTES</b>			JOB USE	
MATERIAL: A992 / A36	ELECTRODES: E70XX LH	REF. DRG.	SHOP	
HOLES: 13/16 DIA. U/N	CONN'S.: -		APPROVAL	
SURFACE PREP: SSPC-SP-2 AND PAINT: GREY PRIMER DEVOE NA-195 (U.N.)				
DESCRIPTION: ANGLE				
PROJECT NAME: Elda Elementary School Addition/Remodel				
LOCATION: Elda Local School District - Hamilton, O				
CONTRACTOR: Endeavor				
<b>Avenue Fabricating Inc.</b> 1281 Clough Pike Batavia, OH 45103 (513) 752-1911		DRAWN BY	DATE	
		TMc	06/28/2010	
		CHKD. BY	DATE	
		TAN		
		JOB No.	DRG. No.	REV.
		10-10	27A30	1



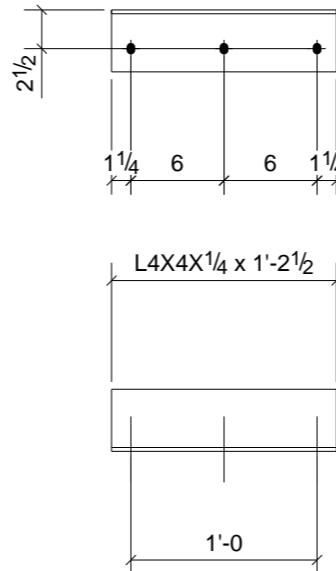
PHASE				
1	2	3	4	5
0	1	0	0	0

**ONE - ANGLE - 27A4**

**BILL OF MATERIAL**

SHIP	MARK	NO PCS	DESCRIPTION	LENGTH	PIECE MARK	REMARKS
1	27A4	1	L4X4X1/4	1'-2 1/2"		SQ-2 A36

A	For Approval	06/28/10	TMc	-
REV.	DESCRIPTION	DATE	DWN	CHK
<b>GENERAL NOTES</b>			JOB USE	
MATERIAL: A992 / A36	ELECTRODES: E70XX LH	REF. DRG.	SHOP	
HOLES: 13/16 DIA. U/N	CONN'S.: -		APPROVAL	
SURFACE PREP: SSPC-SP-2 AND PAINT: GREY PRIMER DEVOE NA-195 (U.N.)				
DESCRIPTION: ANGLE				
PROJECT NAME: Elda Elementary School Addition/Remodel				
LOCATION: Elda Local School District - Hamilton, O				
CONTRACTOR: Endeavor				
<b>Avenue Fabricating Inc.</b> 1281 Clough Pike Batavia, OH 45103 (513) 752-1911		DRAWN BY	DATE	
		TMc	06/28/2010	
		CHKD. BY	DATE	
TAN				
JOB No.	DRG. No.	REV.		
10-10	27A4	1		



PHASE				
1	2	3	4	5
0	1	0	0	0

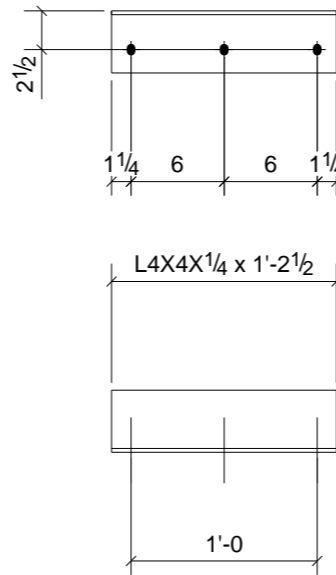
**ONE - ANGLE - 27A5**

**BILL OF MATERIAL**

SHIP	MARK	NO PCS	DESCRIPTION	LENGTH	PIECE MARK	REMARKS
1	27A5	1	L4X4X1/4	1'-2 1/2"		SQ-2 A36

A	For Approval	06/28/10	TMc	-
REV.	DESCRIPTION	DATE	DWN	CHK
<b>GENERAL NOTES</b>			JOB USE	
MATERIAL: A992 / A36	ELECTRODES: E70XX LH	REF. DRG.	SHOP	
HOLES: 13/16 DIA. U/N	CONN'S.: -		APPROVAL	
SURFACE PREP: SSPC-SP-2 AND PAINT: GREY PRIMER DEVOE NA-195 (U.N.)				
DESCRIPTION: ANGLE				
PROJECT NAME: Elda Elementary School Addition/Remodel				
LOCATION: Elda Local School District - Hamilton, O				
CONTRACTOR: Endeavor				
<b>Avenue Fabricating Inc.</b> 1281 Clough Pike Batavia, OH 45103 (513) 752-1911		DRAWN BY	DATE	
		TMc	06/28/2010	
		CHKD. BY	DATE	
		TAN		
		JOB No.	DRG. No.	REV.
		10-10	27A5	1

GRID LOCATION	BOTTOM ELEVATION
<1/A>	109'-5"9/16



**ONE - ANGLE - 27A6**

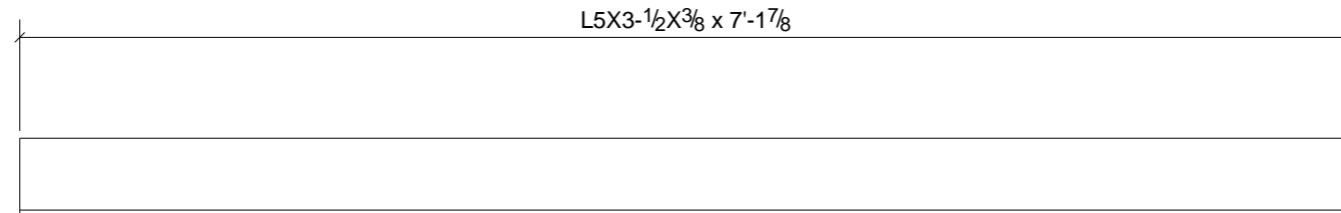
PHASE				
1	2	3	4	5
0	1	0	0	0

**BILL OF MATERIAL**

SHIP	MARK	NO PCS	DESCRIPTION	LENGTH	PIECE MARK	REMARKS
1	27A6	1	L4X4X1/4	1'-2 1/2"		SQ-2 A36

A	For Approval	06/28/10	TMc	-
REV.	DESCRIPTION	DATE	DWN	CHK
<b>GENERAL NOTES</b>			JOB USE	
MATERIAL: A992 / A36	ELECTRODES: E70XX LH	REF. DRG.	SHOP	
HOLES: 13/16 DIA. U/N	CONN'S.: -		APPROVAL	
SURFACE PREP: SSPC-SP-2 AND PAINT: GREY PRIMER DEVOE NA-195 (U.N.)				
DESCRIPTION: ANGLE				
PROJECT NAME: Eida Elementary School Addition/Remodel				
LOCATION: Eida Local School District - Hamilton, O				
CONTRACTOR: Endeavor				
<b>Avenue Fabricating Inc.</b> 1281 Clough Pike Batavia, OH 45103 (513) 752-1911		DRAWN BY	DATE	
		TMc	06/28/2010	
		CHKD. BY	DATE	
		TAN		
		JOB No.	DRG. No.	REV.
		10-10	27A6	1





L5X3-1/2X3/8 x 7'-17/8

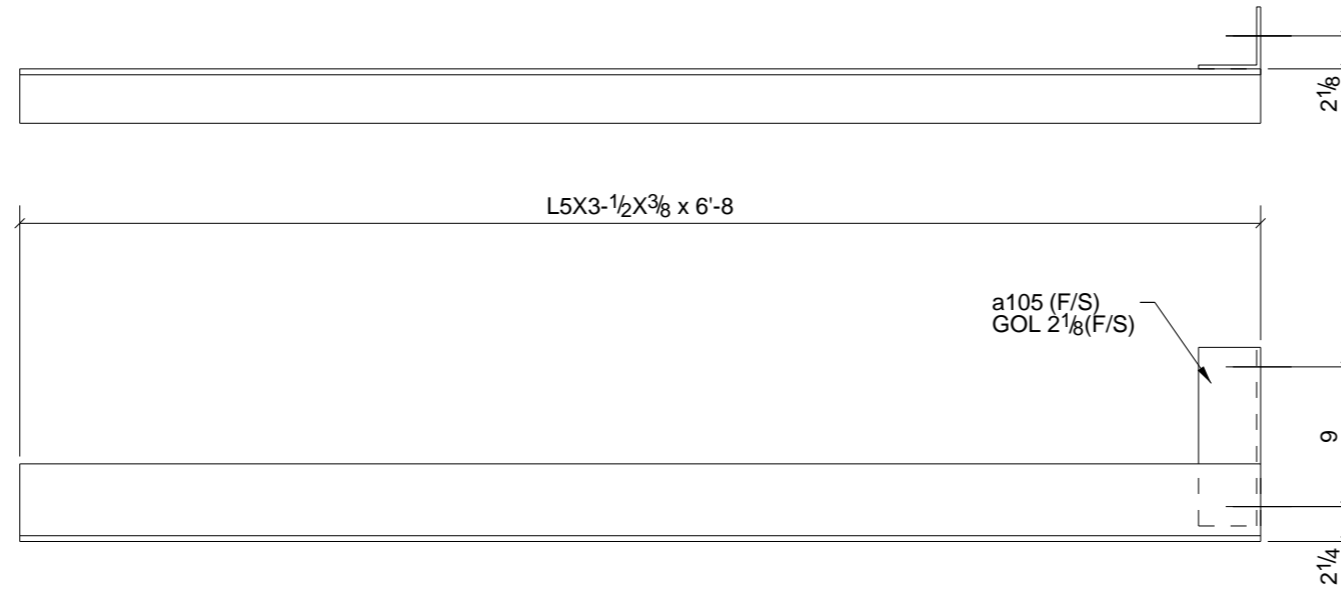
2 - ANGLES - 27A7

PHASE				
1	2	3	4	5
0	2	0	0	0

A	For Approval	06/28/10	TMc	-
REV.	DESCRIPTION	DATE	DWN	CHK
<b>GENERAL NOTES</b>			JOB USE	
MATERIAL: A992 / A36	ELECTRODES: E70XX LH	REF. DRG.	SHOP	
HOLES: 13/16 DIA. U/N	CONN'S.: -		APPROVAL	
SURFACE PREP. SSPC-SP-2 AND PAINT: GREY PRIMER DEVOE NA-195 (U.N.)				
DESCRIPTION: ANGLE				
PROJECT NAME Eida Elementary School Addition/Remodel				
LOCATION Eida Local School District - Hamilton, O				
CONTRACTOR Endeavor				
Avenue Fabricating Inc. 1281 Clough Pike Batavia, OH 45103 (513) 752-1911		DRAWN BY	DATE	
		TMc	06/28/2010	
		CHKD. BY	DATE	
		TAN		
		JOB No.	DRG. No.	REV.
		10-10	27A7	1

**BILL OF MATERIAL**

SHIP	MARK	NO PCS	DESCRIPTION	LENGTH	PIECE MARK	REMARKS
2	27A7	2	L5X3-1/2X3/8	7'-1 7/8"		SQ-2 A36 PRIMED



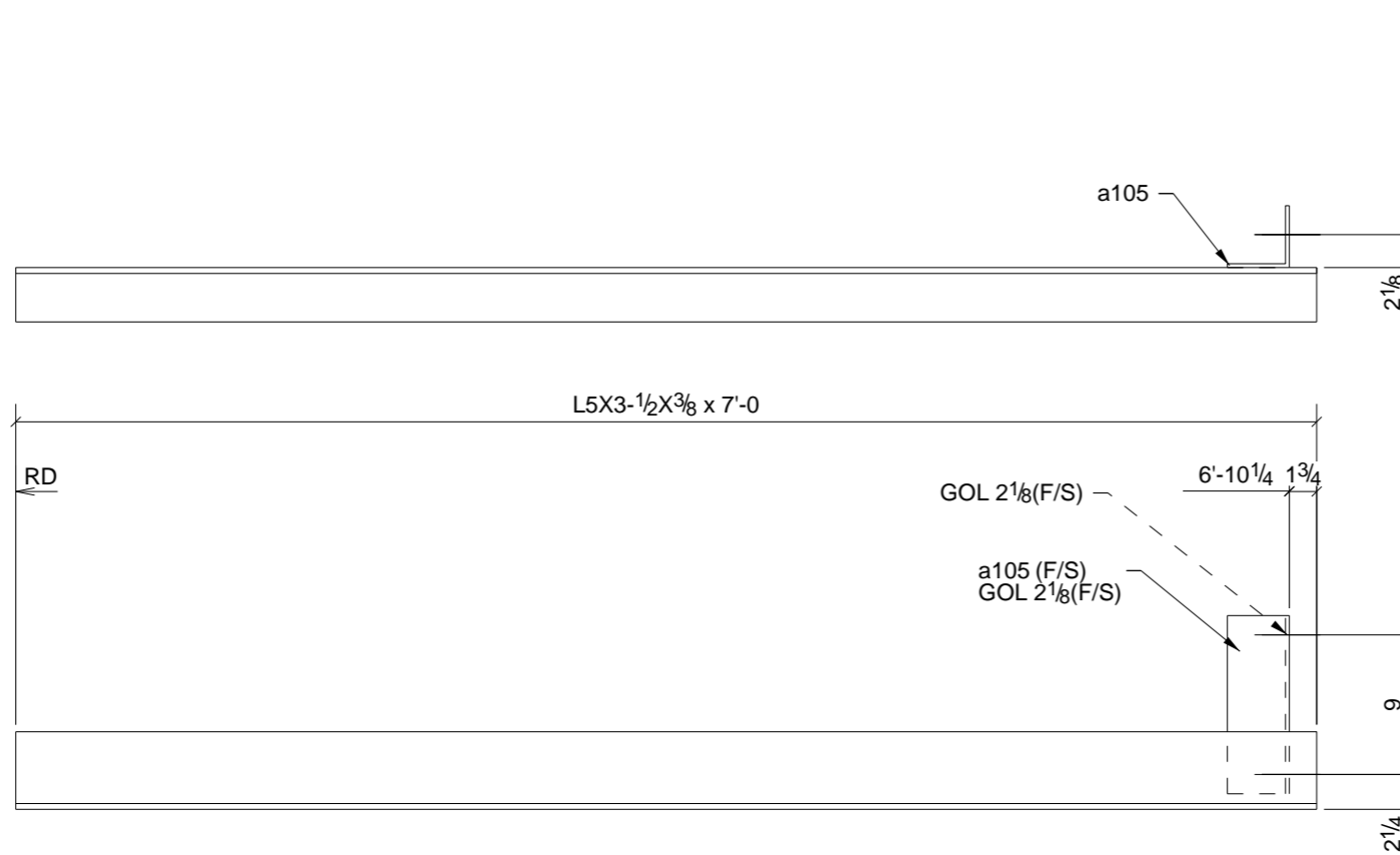
**3 - ANGLES - 27A8**

PHASE				
1	2	3	4	5
0	3	0	0	0

A	For Approval	06/28/10	TMc	-	
REV.	DESCRIPTION	DATE	DWN	CHK	
<b>GENERAL NOTES</b>			JOB USE		
MATERIAL: A992 / A36	ELECTRODES: E70XX LH	REF. DRG.	SHOP		
HOLES: 13/16 DIA. U/N	CONN'S.: -		APPROVAL		
SURFACE PREP: SSPC-SP-2 AND PAINT: GREY PRIMER DEVOE NA-195 (U.N.)					
DESCRIPTION: ANGLE					
PROJECT NAME: Elda Elementary School Addition/Remodel					
LOCATION: Elda Local School District - Hamilton, O					
CONTRACTOR: Endeavor					
<b>Avenue Fabricating Inc.</b> 1281 Clough Pike Batavia, OH 45103 (513) 752-1911			DRAWN BY	DATE	
			TMc	06/28/2010	
			CHKD. BY	DATE	
			TAN		
			JOB No.	DRG. No.	REV.
			10-10	27A8	1

**BILL OF MATERIAL**

SHIP	MARK	NO PCS	DESCRIPTION	LENGTH	PIECE MARK	REMARKS
3	27A8	3	L5X3-1/2X3/8	6'-8"		SQ-2 A36 PRIMED
		3	L4X4X1/4	0'-11 1/2"	a105	A36 PRIMED



SHOP NOTE:  
 ALL MATERIAL IS PLAIN, ANY CUTS OR  
 COPEs OTHER THAN SQUARE CUTS ARE  
 FOR DRAFTING REFERENCE ONLY. MARK  
 ASSEMBY & SUB MARKS FOR SHIPPING  
 APPROVER / CONTRACTOR NOTE:  
 OVERALL DIMENSIONS ARE FOR REFERENCE  
 TO REQUEST VERIFICATION OF  
 SUFFICIENT MATERIAL FOR FIELD TRIM &  
 WELDING ROOF MEMBERS REINFORCING  
 HVAC DUCTS & EQUIPMENT, SEE PLANS  
 FOR ASSY MARK.

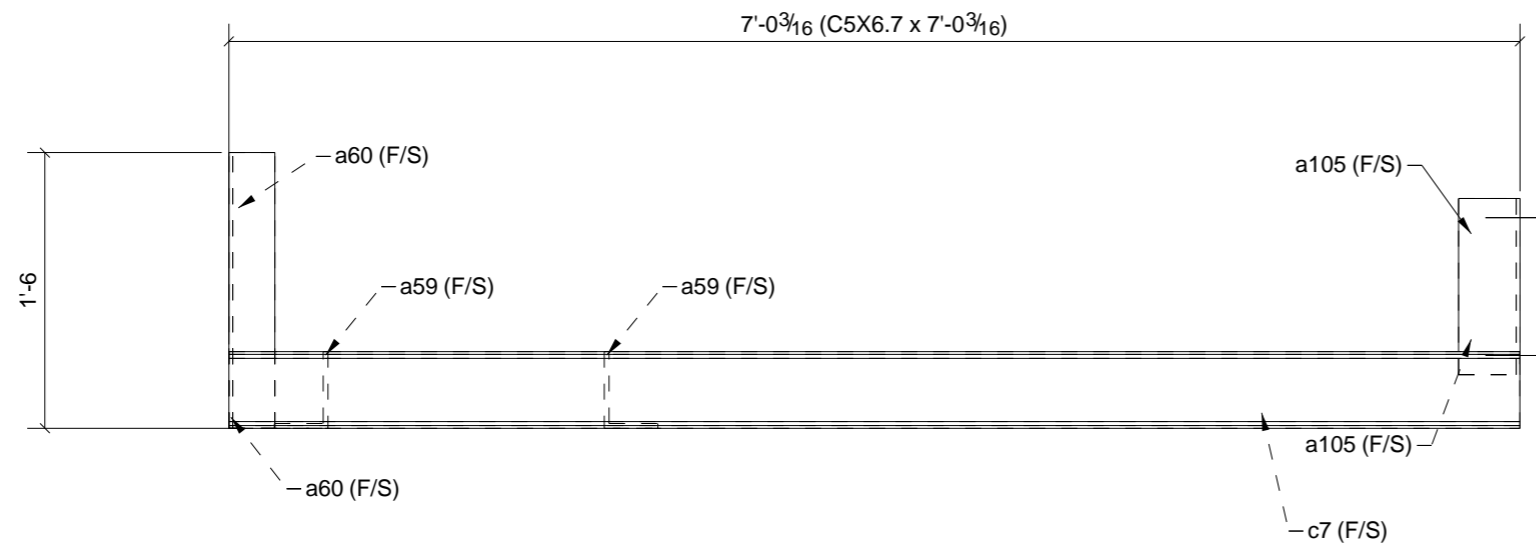
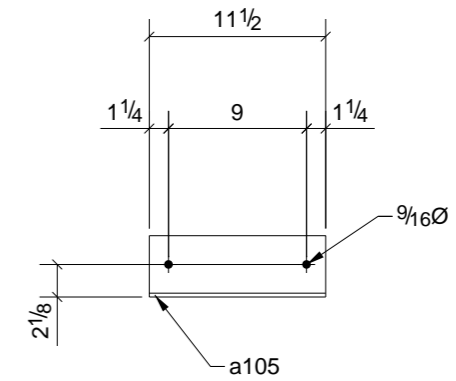
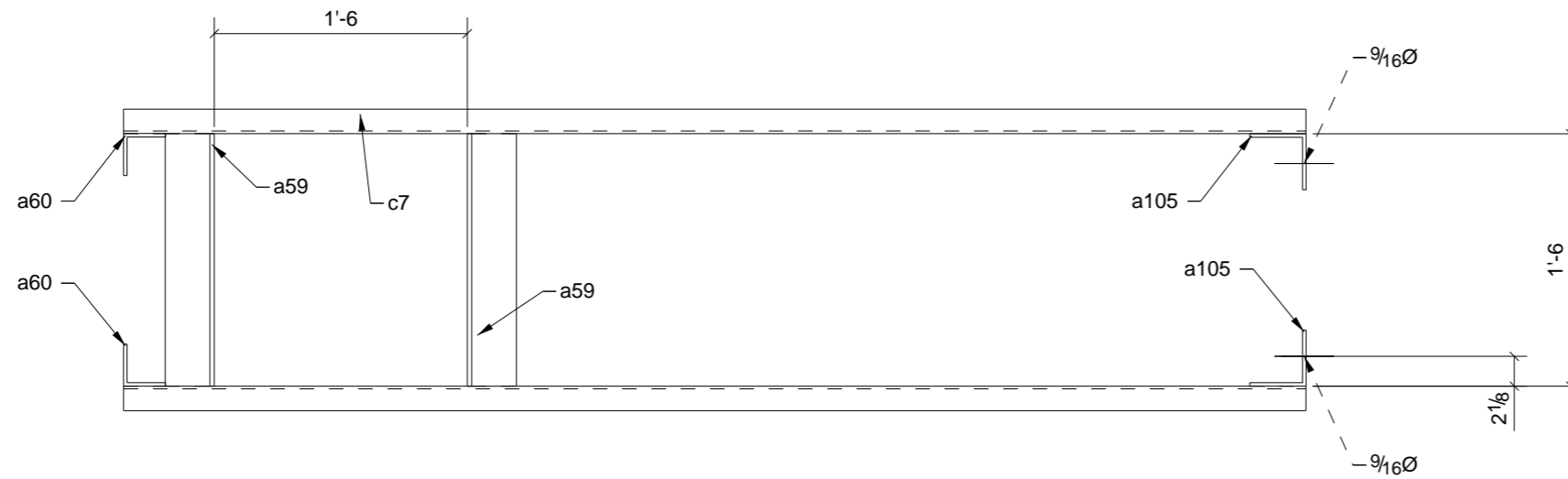
## 4 - ANGLES - 27A9

PHASE				
1	2	3	4	5
0	4	0	0	0

A	For Approval	06/28/10	TMc	-
REV.	DESCRIPTION	DATE	DWN	CHK
<b>GENERAL NOTES</b>		JOB USE		
MATERIAL: A992 / A36	ELECTRODES: E70XX LH	REF. DRG.		
HOLES: 13/16 DIA. U/N	CONN'S.: -		SHOP	
SURFACE PREP. SSPC-SP-2 AND PAINT: GREY PRIMER DEVOE NA-195 (U.N.)			APPROVAL	
DESCRIPTION:	ANGLE			
PROJECT NAME	Elda Elementary School Addition/Remodel			
LOCATION	Elda Local School District - Hamilton, O			
CONTRACTOR	Endeavor			
<b>Avenue Fabricating Inc.</b> 1281 Clough Pike Batavia, OH 45103 (513) 752-1911		DRAWN BY	DATE	
		TMc	06/28/2010	
		CHKD. BY	DATE	
TAN				
JOB No.	DRG. No.	REV.		
10-10	27A9	1		

## BILL OF MATERIAL

SHIP	MARK	NO PCS	DESCRIPTION	LENGTH	PIECE MARK	REMARKS
4	27A9	4	L5X3-1/2X3/8	7'-0"		SQ-2 A36 PRIMED
		4	L4X4X1/4	0'-11 1/2"	a105	A36 PRIMED



SHOP NOTE:  
ALL MATERIAL IS PLAIN, ANY CUTS OR  
COPIES OTHER THAN SQUARE CUTS ARE  
FOR DRAFTING REFERENCE ONLY. MARK  
ASSEMBLY & SUB MARKS FOR SHIPPING

APPROVER / CONTRACTOR NOTE:  
OVERALL DIMENSIONS ARE FOR REFER-  
ENCE TO REQUEST VERIFICATION OF  
SUFFICIENT MATERIAL FOR FIELD TRIM &  
WELDING ROOF MEMBERS REINFORCING  
HVAC DUCTS & EQUIPMENT, SEE PLANS  
FOR ASSY MARK.

PHASE				
1	2	3	4	5
0	2	0	0	0

## 2 - ROOF FRAMES - 27M1

A	For Approval	06/28/10	TMc	-
REV.	DESCRIPTION	DATE	DWN	CHK

### GENERAL NOTES

MATERIAL: A992 / A36	ELECTRODES: E70XX LH	REF. DRG.	JOB USE
HOLES: 13/16 DIA. U/N	CONN'S.: -		SHOP
SURFACE PREP. SSPC-SP-2 AND PAINT: GREY PRIMER DEVOE NA-195 (U.N.)			APPROVAL

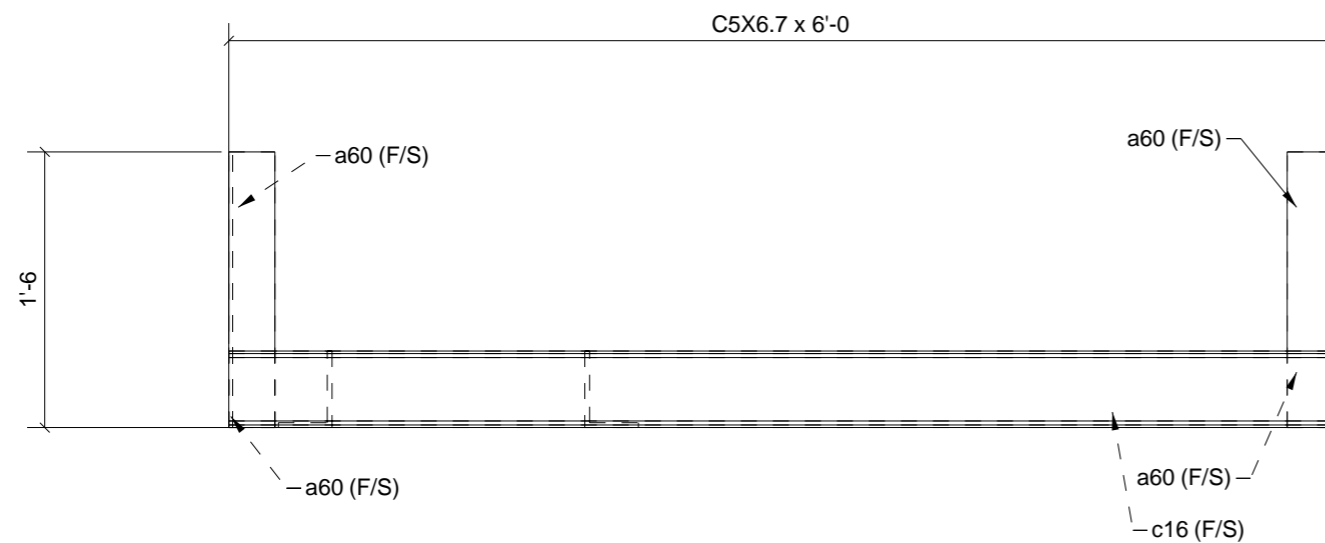
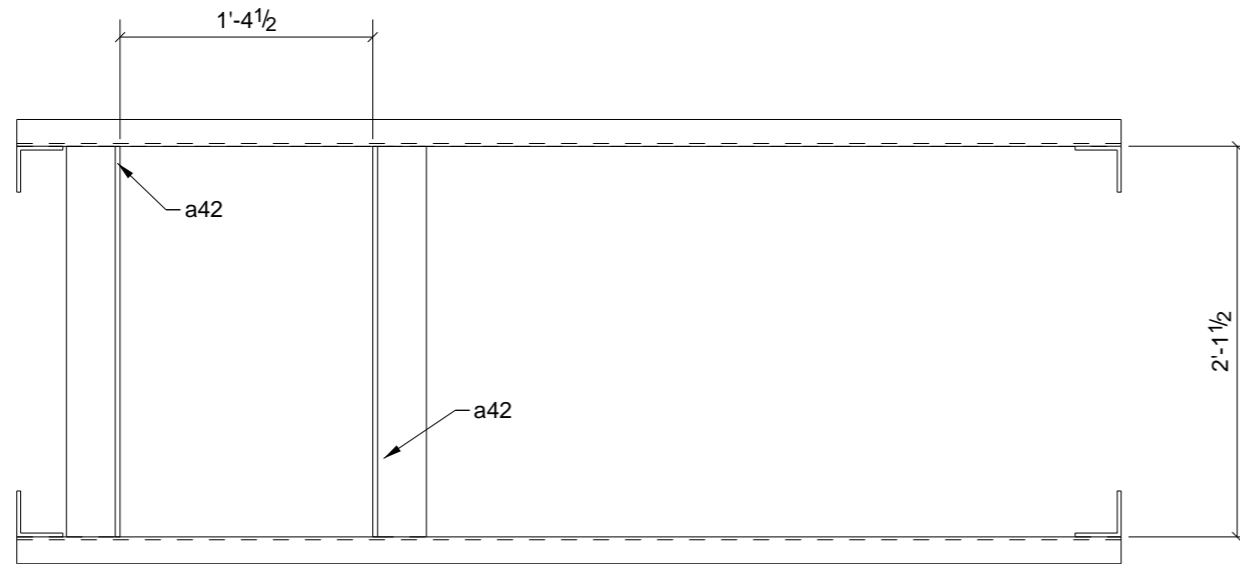
### BILL OF MATERIAL

SHIP	MARK	NO PCS	DESCRIPTION	LENGTH	PIECE MARK	REMARKS
2	27M1	2	C5X6.7	7'-0 3/16"		SQ-2 A36
		4	L5X3-1/2X5/16	1'-6"	a59	A36 PRIMED
		4	L3X3X1/4	1'-6"	a60	A36 PRIMED
		4	L4X4X1/4	0'-11 1/2"	a105	A36 PRIMED
		2	C5X6.7	7'-0 3/16"	c7	A36

DESCRIPTION:	ROOF FRAME
PROJECT NAME	Elda Elementary School Addition/Remodel
LOCATION	Elda Local School District - Hamilton, O
CONTRACTOR	Endeavor

**Avenue Fabricating Inc.**  
1281 Clough Pike  
Batavia, OH 45103  
(513) 752-1911

DRAWN BY TMc	DATE 06/28/2010
CHKD. BY TAN	DATE
JOB No. 10-10	DRG. No. 27M1
	REV. 1



**SHOP NOTE:**  
 ALL MATERIAL IS PLAIN, ANY CUTS OR  
 COPIES OTHER THAN SQUARE CUTS ARE  
 FOR DRAFTING REFERENCE ONLY. MARK  
 ASSEMBLY & SUB MARKS FOR SHIPPING

**APPROVER / CONTRACTOR NOTE:**  
 OVERALL DIMENSIONS ARE FOR REFER-  
 ENCE TO REQUEST VERIFICATION OF  
 SUFFICIENT MATERIAL FOR FIELD TRIM &  
 WELDING ROOF MEMBERS REINFORCING  
 HVAC DUCTS & EQUIPMENT, SEE PLANS  
 FOR ASSY MARK.

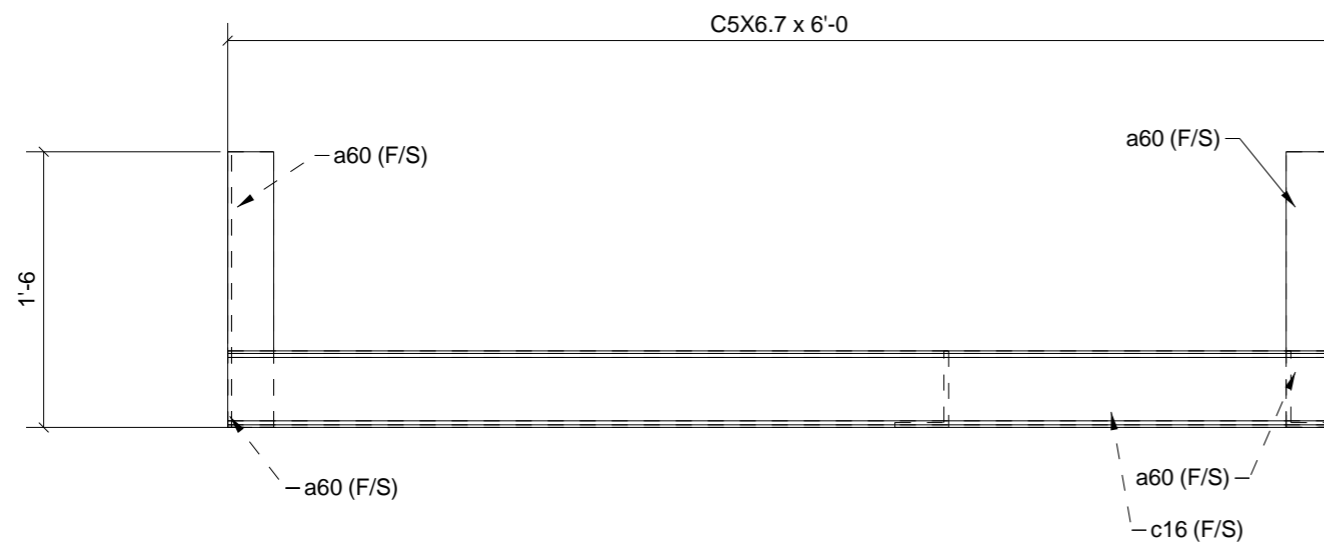
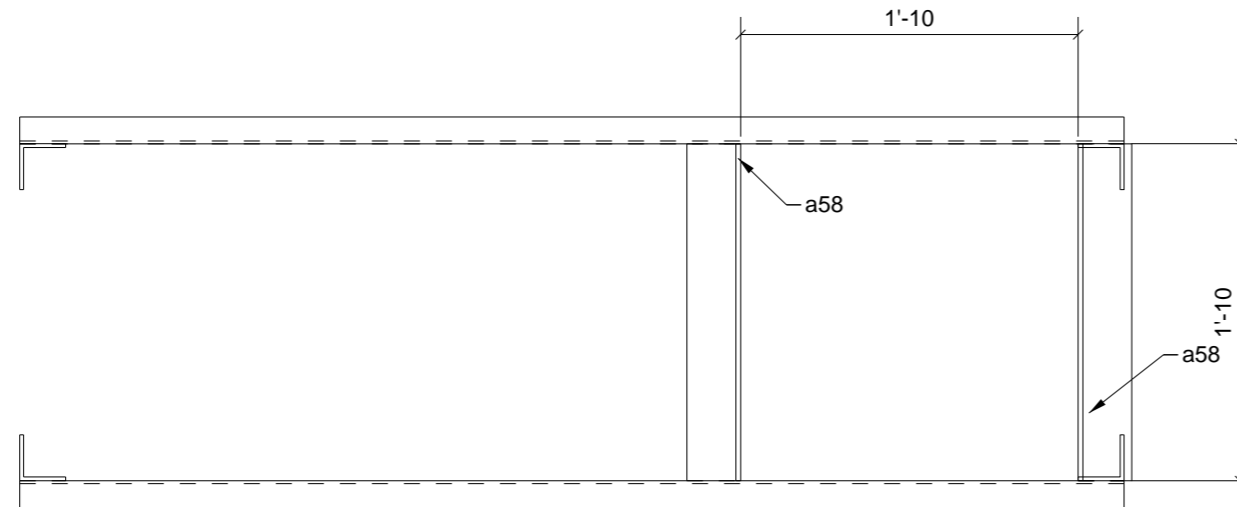
**ONE - ROOF FRAME - 27M10**

PHASE				
1	2	3	4	5
0	1	0	0	0

A	For Approval	06/28/10	TMc	-
REV.	DESCRIPTION	DATE	DWN	CHK
<b>GENERAL NOTES</b>		JOB USE		
MATERIAL: A992 / A36	ELECTRODES: E70XX LH	REF. DRG.		
HOLES: 13/16 DIA. U/N	CONN'S.: -	SHOP		
SURFACE PREP. <b>SSPC-SP-2</b> AND PAINT: <b>GREY PRIMER DEVOE NA-195 (U.N.)</b>		APPROVAL		
DESCRIPTION: <b>ROOF FRAME</b>				
PROJECT NAME: <b>Elda Elementary School Addition/Remodel</b>				
LOCATION: <b>Elda Local School District - Hamilton, O</b>				
CONTRACTOR: <b>Endeavor</b>				
<b>Avenue Fabricating Inc.</b> 1281 Clough Pike Batavia, OH 45103 (513) 752-1911		DRAWN BY		DATE
		TMc		06/28/2010
		CHKD. BY		DATE
		TAN		
JOB No.		DRG. No.	REV.	
10-10		27M10	1	

**BILL OF MATERIAL**

SHIP	MARK	NO PCS	DESCRIPTION	LENGTH	PIECE MARK	REMARKS
1	27M10	1	C5X6.7	6'-0"		SQ-2 A36
		2	L5X3-1/2X5/16	2'-1 1/2"	a42	A36 PRIMED
		4	L3X3X1/4	1'-6"	a60	A36 PRIMED
		1	C5X6.7	6'-0"	c16	A36



SHOP NOTE:  
ALL MATERIAL IS PLAIN, ANY CUTS OR  
COPIES OTHER THAN SQUARE CUTS ARE  
FOR DRAFTING REFERENCE ONLY. MARK  
ASSEMBLY & SUB MARKS FOR SHIPPING

APPROVER / CONTRACTOR NOTE:  
OVERALL DIMENSIONS ARE FOR REFER-  
ENCE TO REQUEST VERIFICATION OF  
SUFFICIENT MATERIAL FOR FIELD TRIM &  
WELDING ROOF MEMBERS REINFORCING  
HVAC DUCTS & EQUIPMENT, SEE PLANS  
FOR ASSY MARK.

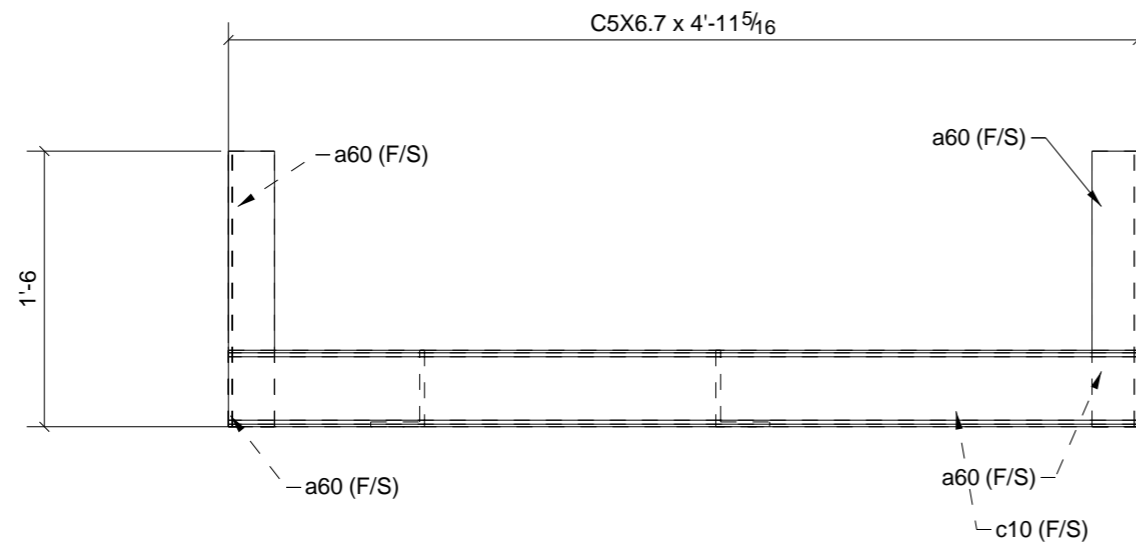
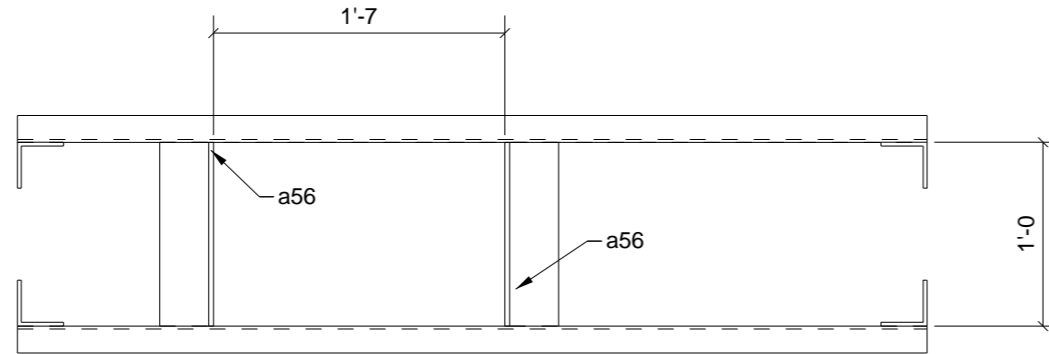
### ONE - ROOF FRAME - 27M11

PHASE				
1	2	3	4	5
0	1	0	0	0

A	For Approval	06/28/10	TMc	-
REV.	DESCRIPTION	DATE	DWN	CHK
<b>GENERAL NOTES</b>		JOB USE		
MATERIAL: A992 / A36	ELECTRODES: E70XX LH	REF. DRG.		
HOLES: 13/16 DIA. U/N	CONN'S.: -	SHOP		
SURFACE PREP. SSPC-SP-2 AND PAINT: GREY PRIMER DEVOE NA-195 (U.N.)		APPROVAL		
DESCRIPTION: ROOF FRAME				
PROJECT NAME Elda Elementary School Addition/Remodel				
LOCATION Elda Local School District - Hamilton, O				
CONTRACTOR Endeavor				
<b>Avenue Fabricating Inc.</b> 1281 Clough Pike Batavia, OH 45103 (513) 752-1911		DRAWN BY		DATE
		TMc		06/28/2010
		CHKD. BY		DATE
		TAN		
JOB No.		DRG. No.	REV.	
10-10		27M11	1	

### BILL OF MATERIAL

SHIP	MARK	NO PCS	DESCRIPTION	LENGTH	PIECE MARK	REMARKS
1	27M11	1	C5X6.7	6'-0"		SQ-2 A36
		2	L5X3-1/2X5/16	1'-10"	a58	A36 PRIMED
		4	L3X3X1/4	1'-6"	a60	A36 PRIMED
		1	C5X6.7	6'-0"	c16	A36



SHOP NOTE:  
 ALL MATERIAL IS PLAIN, ANY CUTS OR  
 COPIES OTHER THAN SQUARE CUTS ARE  
 FOR DRAFTING REFERENCE ONLY. MARK  
 ASSEMBLY & SUB MARKS FOR SHIPPING

APPROVER / CONTRACTOR NOTE:  
 OVERALL DIMENSIONS ARE FOR REFER-  
 ENCE TO REQUEST VERIFICATION OF  
 SUFFICIENT MATERIAL FOR FIELD TRIM &  
 WELDING ROOF MEMBERS REINFORCING  
 HVAC DUCTS & EQUIPMENT, SEE PLANS  
 FOR ASSY MARK.

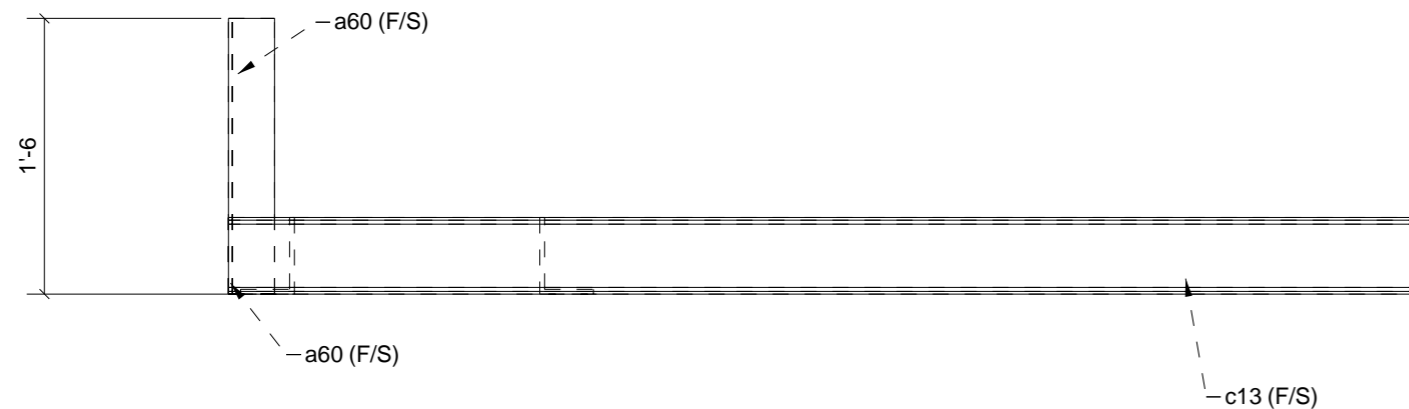
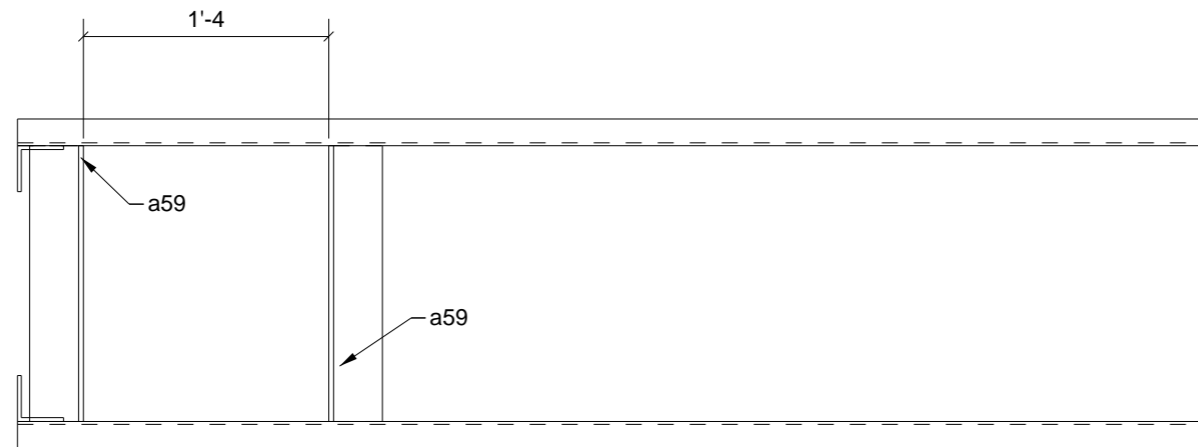
PHASE				
1	2	3	4	5
0	1	0	0	0

## ONE - ROOF FRAME - 27M12

A	For Approval	06/28/10	TMc	-
REV.	DESCRIPTION	DATE	DWN	CHK
<b>GENERAL NOTES</b>		JOB USE		
MATERIAL: A992 / A36	ELECTRODES: E70XX LH	REF. DRG.		
HOLES: 13/16 DIA. U/N	CONN'S.: -	SHOP		
SURFACE PREP. SSPC-SP-2 AND PAINT: GREY PRIMER DEVOE NA-195 (U.N.)		APPROVAL		
DESCRIPTION: ROOF FRAME				
PROJECT NAME Elda Elementary School Addition/Remodel				
LOCATION Elda Local School District - Hamilton, O				
CONTRACTOR Endeavor				
<b>Avenue Fabricating Inc.</b> 1281 Clough Pike Batavia, OH 45103 (513) 752-1911		DRAWN BY		DATE
		TMc		06/28/2010
		CHKD. BY		DATE
		TAN		
JOB No.		DRG. No.	REV.	
10-10		27M12	1	

## BILL OF MATERIAL

SHIP	MARK	NO PCS	DESCRIPTION	LENGTH	PIECE MARK	REMARKS
1	27M12	1	C5X6.7	4'-11 5/16"		SQ-2 A36
		2	L5X3-1/2X5/16	1'-0"	a56	A36 PRIMED
		4	L3X3X1/4	1'-6"	a60	A36 PRIMED
		1	C5X6.7	4'-11 5/16"	c10	A36



SHOP NOTE:  
 ALL MATERIAL IS PLAIN, ANY CUTS OR  
 COPES OTHER THAN SQUARE CUTS ARE  
 FOR DRAFTING REFERENCE ONLY. MARK  
 ASSEMBLY & SUB MARKS FOR SHIPPING

APPROVER / CONTRACTOR NOTE:  
 OVERALL DIMENSIONS ARE FOR REFER-  
 ENCE TO REQUEST VERIFICATION OF  
 SUFFICIENT MATERIAL FOR FIELD TRIM &  
 WELDING ROOF MEMBERS REINFORCING  
 HVAC DUCTS & EQUIPMENT, SEE PLANS  
 FOR ASSY MARK.

**ONE - ROOF FRAME - 27M13**

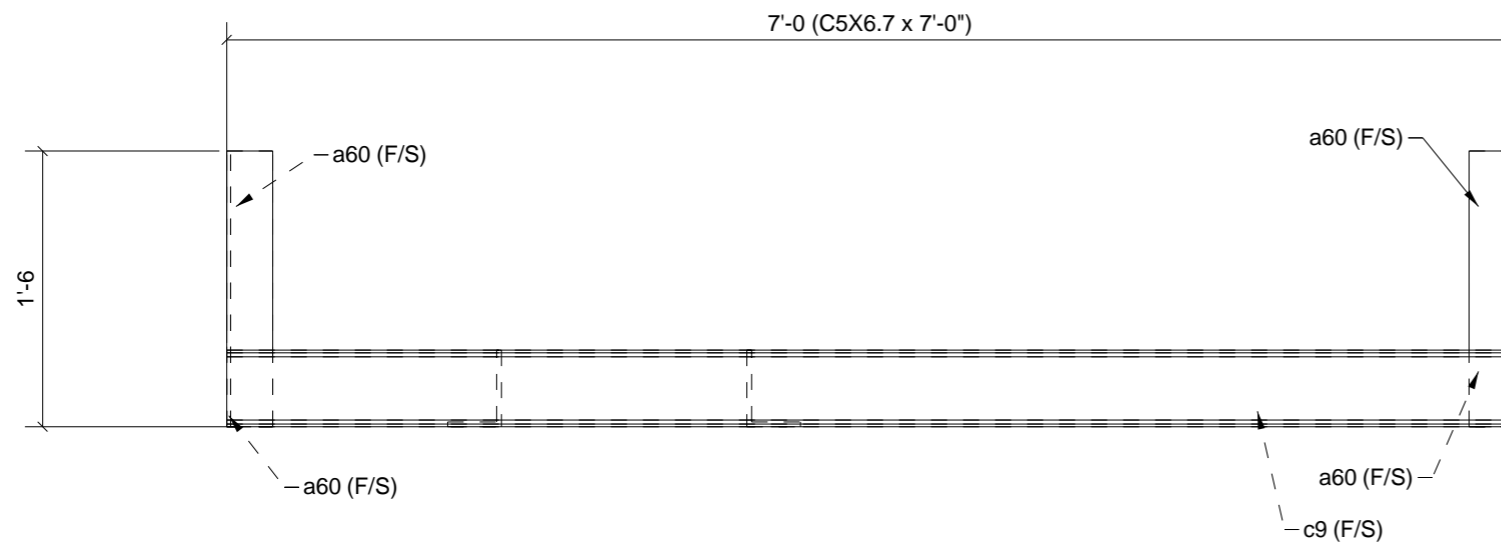
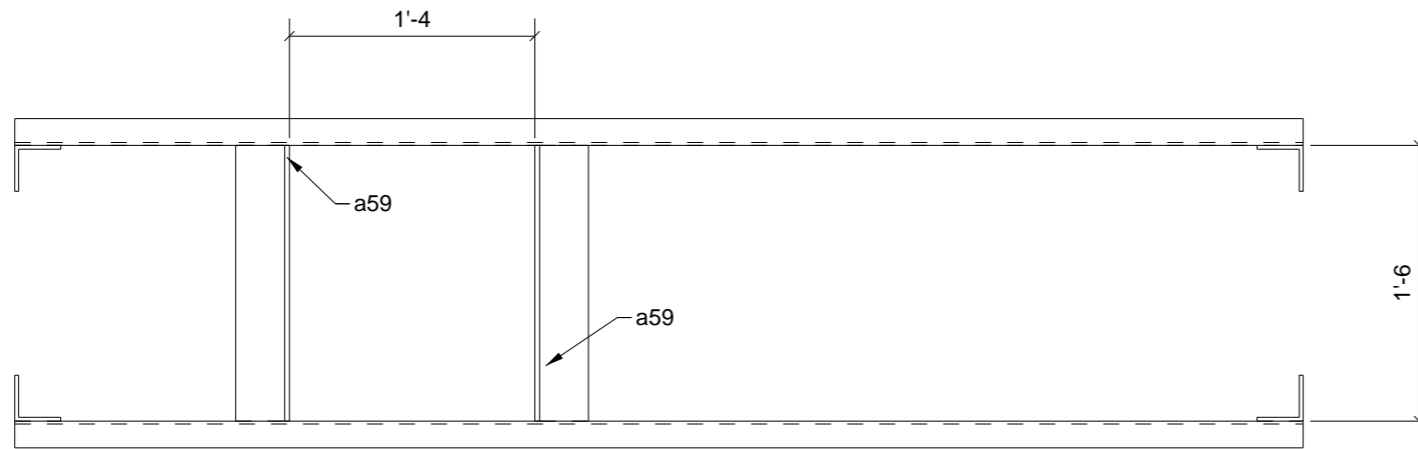
PHASE				
1	2	3	4	5
0	1	0	0	0

A	For Approval	06/28/10	TMc	-
REV.	DESCRIPTION	DATE	DWN	CHK
<b>GENERAL NOTES</b>		JOB USE		
MATERIAL: A992 / A36	ELECTRODES: E70XX LH	REF. DRG.		
HOLES: 13/16 DIA. U/N	CONN'S.: -	SHOP		
SURFACE PREP. <b>SSPC-SP-2</b> AND PAINT: <b>GREY PRIMER DEVOE NA-195 (U.N.)</b>		APPROVAL		
DESCRIPTION: <b>ROOF FRAME</b>				
PROJECT NAME: Elda Elementary School Addition/Remodel				
LOCATION: Elda Local School District - Hamilton, O				
CONTRACTOR: Endeavor				
<b>Avenue Fabricating Inc.</b> 1281 Clough Pike Batavia, OH 45103 (513) 752-1911		DRAWN BY		DATE
		TMc		06/28/2010
		CHKD. BY		DATE
		TAN		
JOB No.		DRG. No.	REV.	
10-10		27M13	1	

**BILL OF MATERIAL**

SHIP	MARK	NO PCS	DESCRIPTION	LENGTH	PIECE MARK	REMARKS
1	27M13	1	C5X6.7	6'-6"		SQ-2 A36
		2	L5X3-1/2X5/16	1'-6"	a59	A36 PRIMED
		2	L3X3X1/4	1'-6"	a60	A36 PRIMED
		1	C5X6.7	6'-6"	c13	A36





SHOP NOTE:  
 ALL MATERIAL IS PLAIN, ANY CUTS OR  
 COPIES OTHER THAN SQUARE CUTS ARE  
 FOR DRAFTING REFERENCE ONLY. MARK  
 ASSEMBLY & SUB MARKS FOR SHIPPING

APPROVER / CONTRACTOR NOTE:  
 OVERALL DIMENSIONS ARE FOR REFER-  
 ENCE TO REQUEST VERIFICATION OF  
 SUFFICIENT MATERIAL FOR FIELD TRIM &  
 WELDING ROOF MEMBERS REINFORCING  
 HVAC DUCTS & EQUIPMENT, SEE PLANS  
 FOR ASSY MARK.

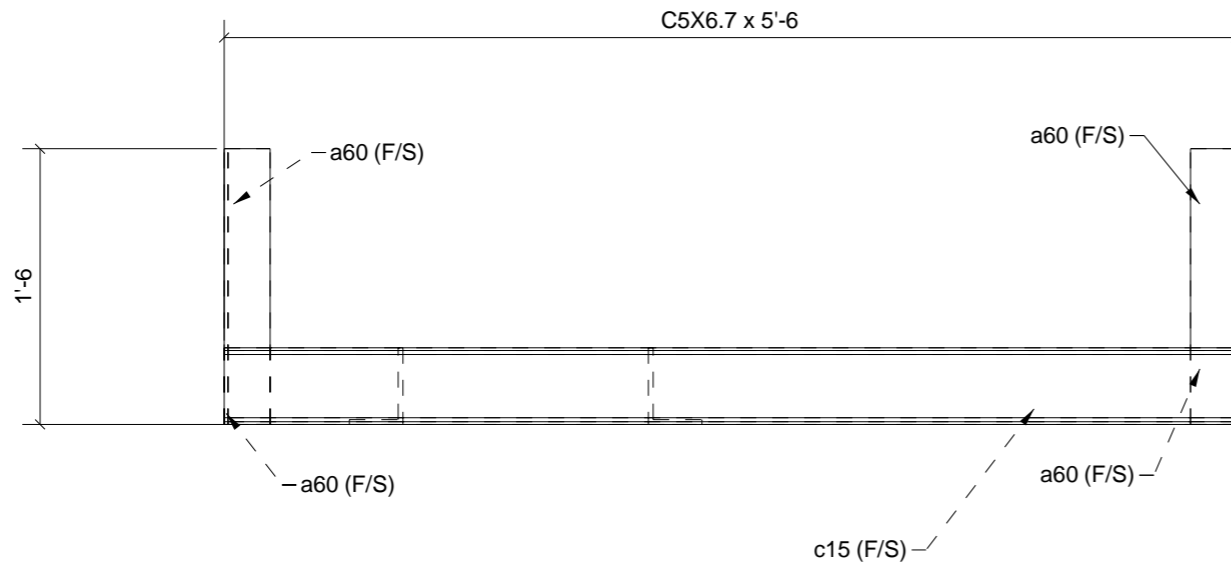
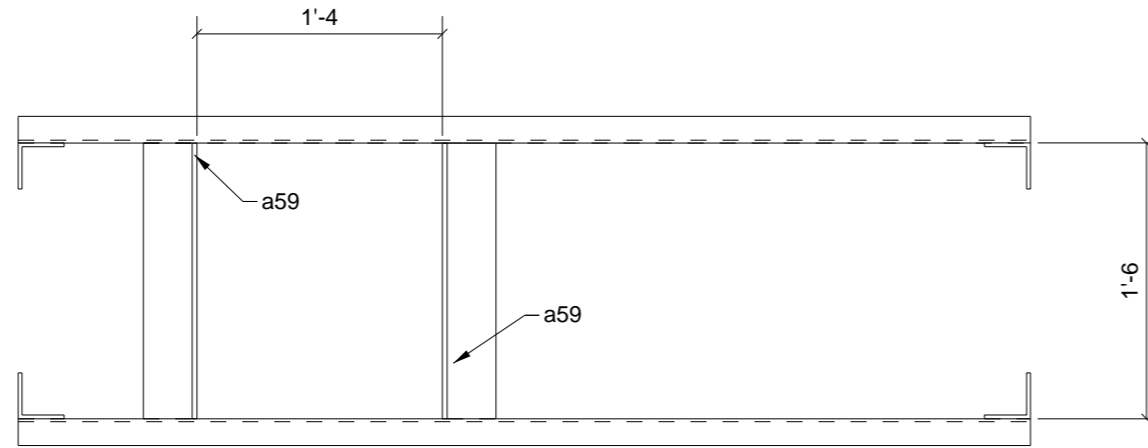
**ONE - ROOF FRAME - 27M14**

PHASE				
1	2	3	4	5
0	1	0	0	0

A	For Approval	06/28/10	TMc	-
REV.	DESCRIPTION	DATE	DWN	CHK
<b>GENERAL NOTES</b>		JOB USE		
MATERIAL: A992 / A36	ELECTRODES: E70XX LH	REF. DRG.		
HOLES: 13/16 DIA. U/N	CONN'S.: -	SHOP		
SURFACE PREP. <b>SSPC-SP-2</b> AND PAINT: <b>GREY PRIMER DEVOE NA-195 (U.N.)</b>		APPROVAL		
DESCRIPTION: <b>ROOF FRAME</b>				
PROJECT NAME: <b>Elda Elementary School Addition/Remodel</b>				
LOCATION: <b>Elda Local School District - Hamilton, O</b>				
CONTRACTOR: <b>Endeavor</b>				
<b>Avenue Fabricating Inc.</b> 1281 Clough Pike Batavia, OH 45103 (513) 752-1911		DRAWN BY		DATE
		TMc		06/28/2010
		CHKD. BY		DATE
		TAN		
JOB No.		DRG. No.	REV.	
10-10		27M14	1	

**BILL OF MATERIAL**

SHIP	MARK	NO PCS	DESCRIPTION	LENGTH	PIECE MARK	REMARKS
1	27M14	1	C5X6.7	7'-0"		SQ-2 A36
		2	L5X3-1/2X5/16	1'-6"	a59	A36 PRIMED
		4	L3X3X1/4	1'-6"	a60	A36 PRIMED
		1	C5X6.7	7'-0"	c9	A36



**SHOP NOTE:**  
 ALL MATERIAL IS PLAIN, ANY CUTS OR COPIES OTHER THAN SQUARE CUTS ARE FOR DRAFTING REFERENCE ONLY. MARK ASSEMBLY & SUB MARKS FOR SHIPPING

**APPROVER / CONTRACTOR NOTE:**  
 OVERALL DIMENSIONS ARE FOR REFERENCE TO REQUEST VERIFICATION OF SUFFICIENT MATERIAL FOR FIELD TRIM & WELDING ROOF MEMBERS REINFORCING HVAC DUCTS & EQUIPMENT, SEE PLANS FOR ASSY MARK.

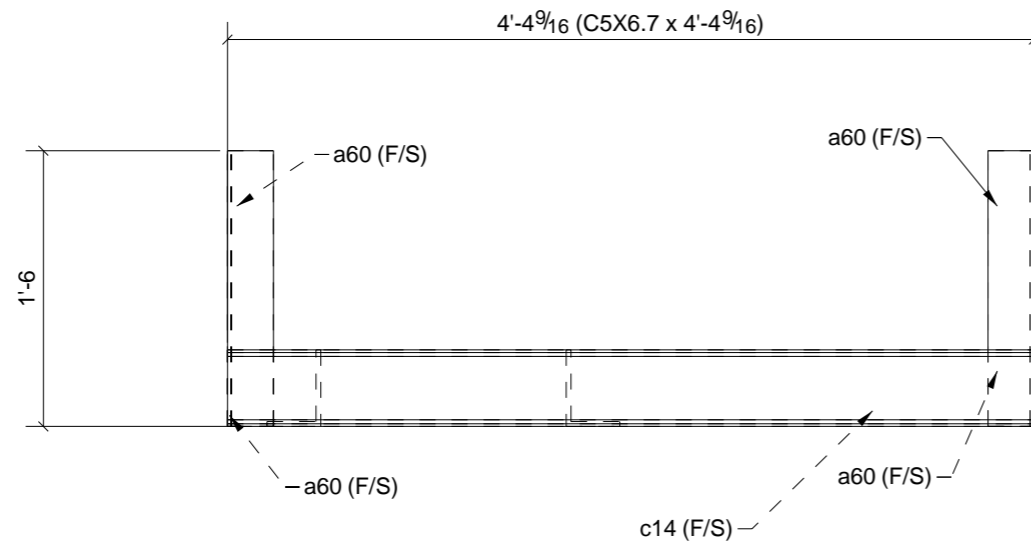
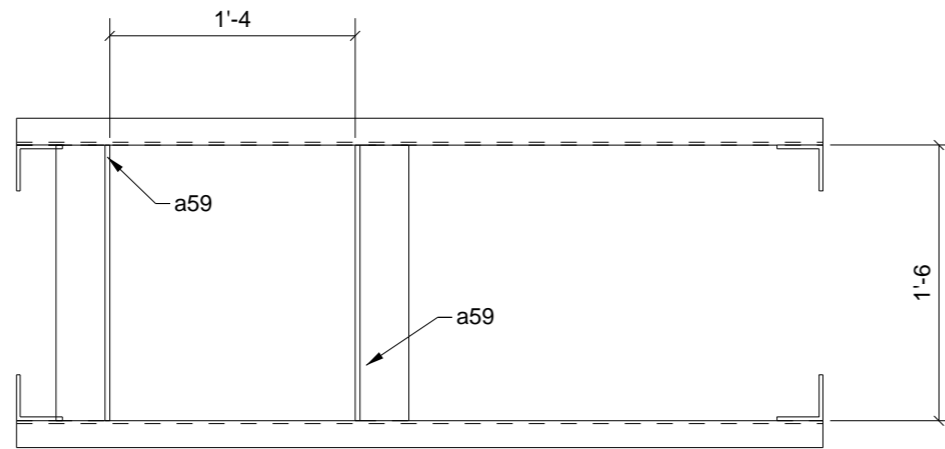
**ONE - ROOF FRAME - 27M15**

PHASE				
1	2	3	4	5
0	1	0	0	0

A	For Approval	06/28/10	TMc	-
REV.	DESCRIPTION	DATE	DWN	CHK
<b>GENERAL NOTES</b>		JOB USE		
MATERIAL: A992 / A36	ELECTRODES: E70XX LH	REF. DRG.		
HOLES: 13/16 DIA. U/N	CONN'S.: -	SHOP		
SURFACE PREP. SSPC-SP-2 AND PAINT: GREY PRIMER DEVOE NA-195 (U.N.)		APPROVAL		
DESCRIPTION: ROOF FRAME				
PROJECT NAME Elda Elementary School Addition/Remodel				
LOCATION Elda Local School District - Hamilton, O				
CONTRACTOR Endeavor				
<b>Avenue Fabricating Inc.</b> 1281 Clough Pike Batavia, OH 45103 (513) 752-1911		DRAWN BY TMc		DATE 06/28/2010
		CHKD. BY TAN		DATE
		JOB No. 10-10	DRG. No. 27M15	REV. 1

**BILL OF MATERIAL**

SHIP	MARK	NO PCS	DESCRIPTION	LENGTH	PIECE MARK	REMARKS
1	27M15	1	C5X6.7	5'-6"		SQ-2 A36
		2	L5X3-1/2X5/16	1'-6"	a59	A36 PRIMED
		4	L3X3X1/4	1'-6"	a60	A36 PRIMED
		1	C5X6.7	5'-6"	c15	A36



**SHOP NOTE:**  
 ALL MATERIAL IS PLAIN, ANY CUTS OR COPIES OTHER THAN SQUARE CUTS ARE FOR DRAFTING REFERENCE ONLY. MARK ASSEMBLY & SUB MARKS FOR SHIPPING

**APPROVER / CONTRACTOR NOTE:**  
 OVERALL DIMENSIONS ARE FOR REFERENCE TO REQUEST VERIFICATION OF SUFFICIENT MATERIAL FOR FIELD TRIM & WELDING ROOF MEMBERS REINFORCING HVAC DUCTS & EQUIPMENT, SEE PLANS FOR ASSY MARK.

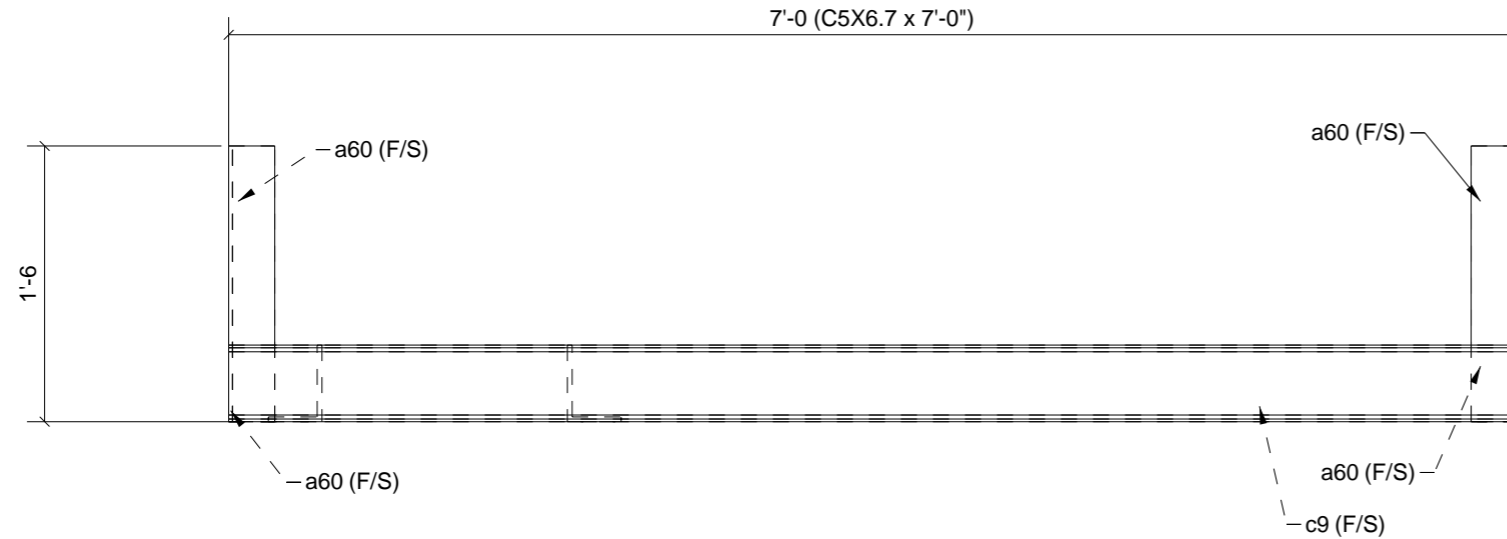
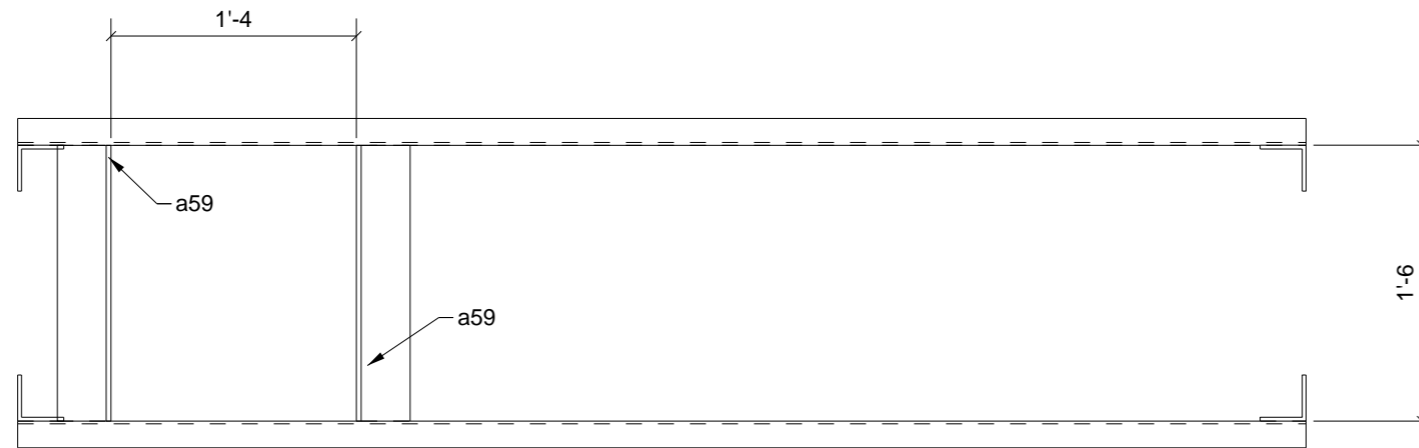
**ONE - ROOF FRAME - 27M16**

PHASE				
1	2	3	4	5
0	1	0	0	0

A	For Approval	06/28/10	TMc	-
REV.	DESCRIPTION	DATE	DWN	CHK
<b>GENERAL NOTES</b>		JOB USE		
MATERIAL: A992 / A36	ELECTRODES: E70XX LH	REF. DRG.		
HOLES: 13/16 DIA. U/N	CONN'S.: -	SHOP		
SURFACE PREP. <b>SSPC-SP-2</b> AND PAINT: <b>GREY PRIMER DEVOE NA-195 (U.N.)</b>		APPROVAL		
DESCRIPTION: <b>ROOF FRAME</b>				
PROJECT NAME: Elda Elementary School Addition/Remodel				
LOCATION: Elda Local School District - Hamilton, O				
CONTRACTOR: Endeavor				
<b>Avenue Fabricating Inc.</b> 1281 Clough Pike Batavia, OH 45103 (513) 752-1911		DRAWN BY		DATE
		TMc		06/28/2010
		CHKD. BY		DATE
		TAN		
JOB No.		DRG. No.	REV.	
10-10		27M16	1	

**BILL OF MATERIAL**

SHIP	MARK	NO PCS	DESCRIPTION	LENGTH	PIECE MARK	REMARKS
1	27M16	1	C5X6.7	4'-4 9/16"		SQ-2 A36
		2	L5X3-1/2X5/16	1'-6"	a59	A36 PRIMED
		4	L3X3X1/4	1'-6"	a60	A36 PRIMED
		1	C5X6.7	4'-4 9/16"	c14	A36



SHOP NOTE:  
 ALL MATERIAL IS PLAIN, ANY CUTS OR  
 COPIES OTHER THAN SQUARE CUTS ARE  
 FOR DRAFTING REFERENCE ONLY. MARK  
 ASSEMBLY & SUB MARKS FOR SHIPPING

APPROVER / CONTRACTOR NOTE:  
 OVERALL DIMENSIONS ARE FOR REFER-  
 ENCE TO REQUEST VERIFICATION OF  
 SUFFICIENT MATERIAL FOR FIELD TRIM &  
 WELDING ROOF MEMBERS REINFORCING  
 HVAC DUCTS & EQUIPMENT, SEE PLANS  
 FOR ASSY MARK.

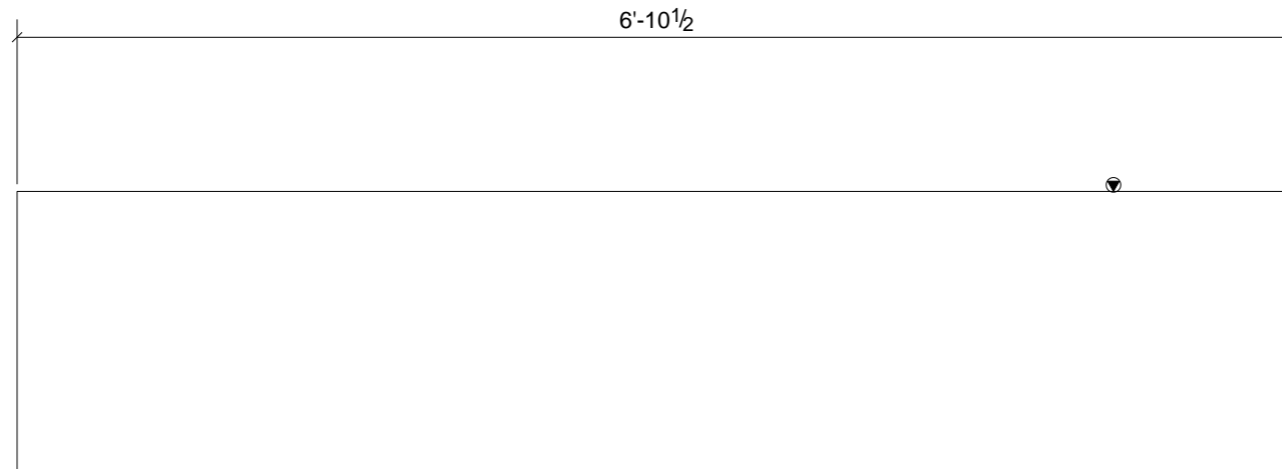
PHASE				
1	2	3	4	5
0	2	0	0	0

## 2 - ROOF FRAMES - 27M17

A	For Approval	06/28/10	TMc	-
REV.	DESCRIPTION	DATE	DWN	CHK
<b>GENERAL NOTES</b>		JOB USE		
MATERIAL: A992 / A36	ELECTRODES: E70XX LH	REF. DRG.		
HOLES: 13/16 DIA. U/N	CONN'S.: -	SHOP		
SURFACE PREP. SSPC-SP-2 AND PAINT: GREY PRIMER DEVOE NA-195 (U.N.)		APPROVAL		
DESCRIPTION: ROOF FRAME				
PROJECT NAME Elda Elementary School Addition/Remodel				
LOCATION Elda Local School District - Hamilton, O				
CONTRACTOR Endeavor				
<b>Avenue Fabricating Inc.</b> 1281 Clough Pike Batavia, OH 45103 (513) 752-1911		DRAWN BY		DATE
		TMc		06/28/2010
		CHKD. BY		DATE
		TAN		
JOB No.		DRG. No.	REV.	
10-10		27M17	1	

## BILL OF MATERIAL

SHIP	MARK	NO PCS	DESCRIPTION	LENGTH	PIECE MARK	REMARKS
2	27M17	2	C5X6.7	7'-0"		SQ-2 A36
		4	L5X3-1/2X5/16	1'-6"	a59	A36 PRIMED
		8	L3X3X1/4	1'-6"	a60	A36 PRIMED
		2	C5X6.7	7'-0"	c9	A36



SHOP NOTE:  
 ALL MATERIAL IS PLAIN, ANY CUTS OR  
 COPIES OTHER THAN SQUARE CUTS ARE  
 FOR DRAFTING REFERENCE ONLY. MARK  
 ASSEMBLY & SUB MARKS FOR SHIPPING

APPROVER / CONTRACTOR NOTE:  
 VERIFICATION OF SUFFICIENT MATERIAL  
 FOR FIELD WELDING TO EXISTING JOIST  
 IS REQUESTED, SEE PLANS  
 FOR ASSY MARK.

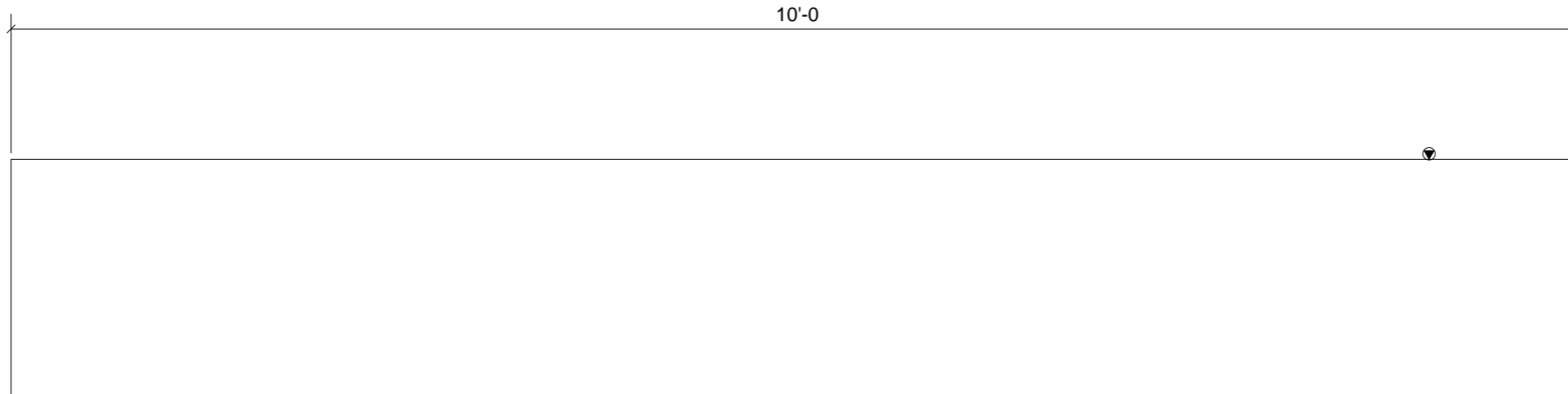
PHASE				
1	2	3	4	5
0	3	0	0	0

### 3 - PLATES - 27M18

A	For Approval	06/28/10	TMc	-
REV.	DESCRIPTION	DATE	DWN	CHK
<b>GENERAL NOTES</b>			JOB USE	
MATERIAL: A992 / A36	ELECTRODES: E70XX LH	REF. DRG.	SHOP	
HOLES: 13/16 DIA. U/N	CONN'S.: -		APPROVAL	
SURFACE PREP. SSPC-SP-2 AND PAINT: GREY PRIMER DEVOE NA-195 (U.N.)				
DESCRIPTION: PLATE				
PROJECT NAME Eida Elementary School Addition/Remodel				
LOCATION Eida Local School District - Hamilton, O				
CONTRACTOR Endeavor				
		DRAWN BY TMc		DATE 06/28/2010
		CHKD. BY TAN		DATE
		JOB No. 10-10	DRG. No. 27M18	REV. 1

BILL OF MATERIAL						
SHIP	MARK	NO PCS	DESCRIPTION	LENGTH	PIECE MARK	REMARKS
3	27M18	3	PL1/4"X18"	6'-10 1/2"		SQ-2 A36

**Avenue Fabricating Inc.**  
 1281 Clough Pike  
 Batavia, OH 45103  
 (513) 752-1911



SHOP NOTE:  
 ALL MATERIAL IS PLAIN, ANY CUTS OR  
 COPEs OTHER THAN SQUARE CUTS ARE  
 FOR DRAFTING REFERENCE ONLY. MARK  
 ASSEMBY & SUB MARKS FOR SHIPPING

APPROVER / CONTRACTOR NOTE:  
 VERIFICATION OF SUFFICIENT MATERIAL  
 FOR FIELD WELDING TO EXISTING JOIST  
 IS REQUESTED, SEE PLANS  
 FOR ASSY MARK.

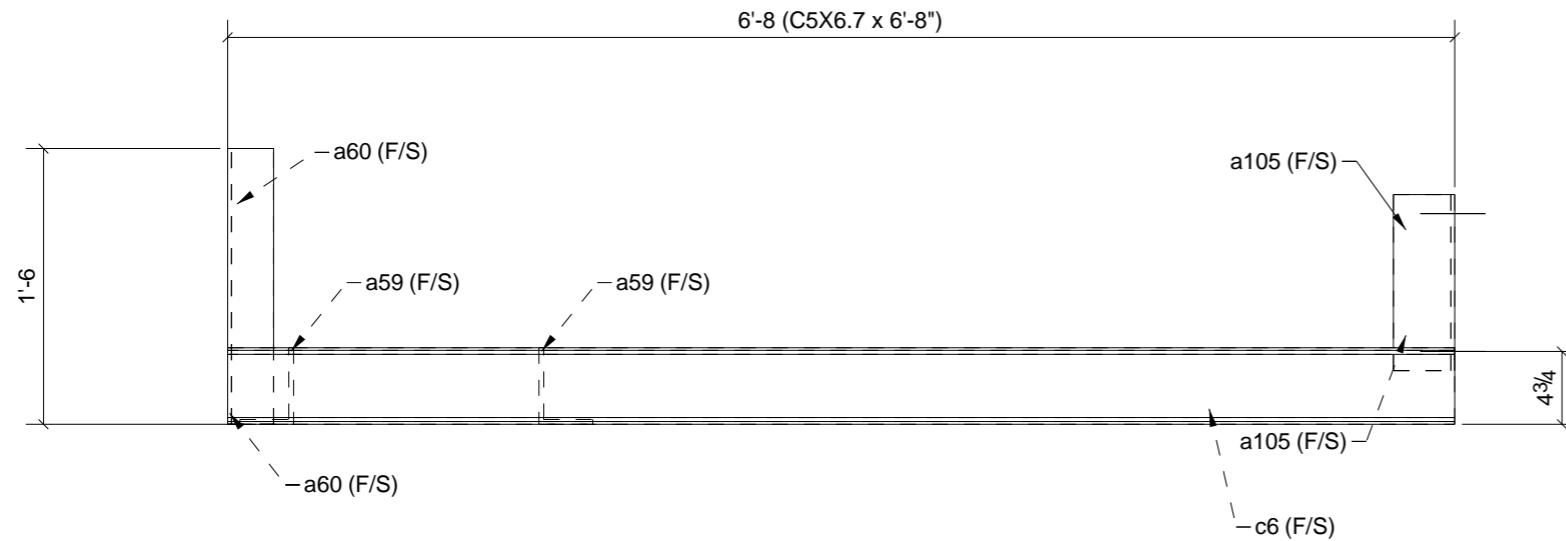
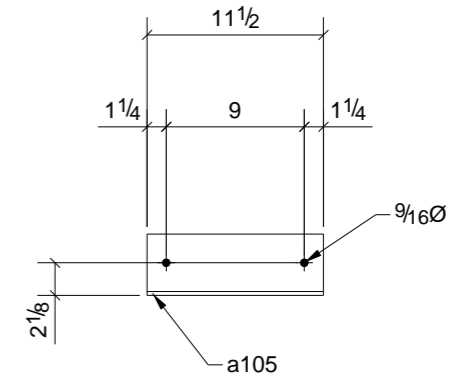
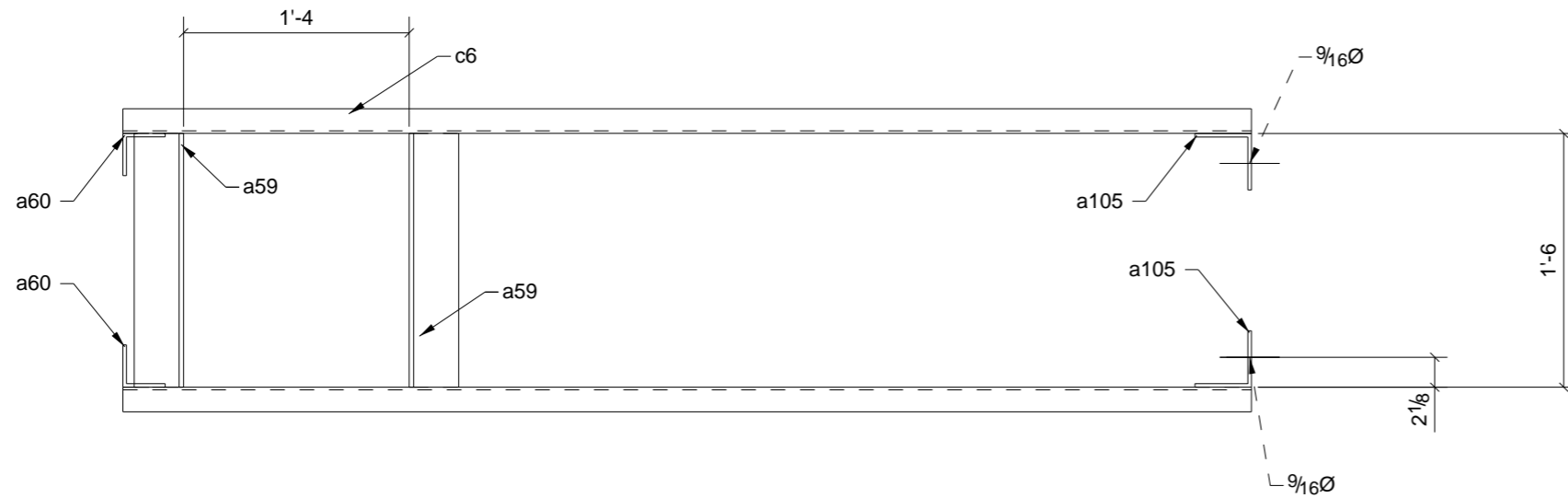
PHASE				
1	2	3	4	5
0	3	0	0	0

### 3 - PLATES - 27M19

A	For Approval	06/28/10	TMc	-
REV.	DESCRIPTION	DATE	DWN	CHK
<b>GENERAL NOTES</b>			JOB USE	
MATERIAL: A992 / A36	ELECTRODES: E70XX LH	REF. DRG.	SHOP	
HOLES: 13/16 DIA. U/N	CONN'S.: -		APPROVAL	
SURFACE PREP. <b>SSPC-SP-2</b> AND PAINT: <b>GREY PRIMER DEVOE NA-195 (U.N.)</b>				
DESCRIPTION: <b>PLATE</b>				
PROJECT NAME <b>Elda Elementary School Addition/Remodel</b>				
LOCATION <b>Elda Local School District - Hamilton, O</b>				
CONTRACTOR <b>Endeavor</b>				
		DRAWN BY <b>TMc</b>		DATE <b>06/28/2010</b>
		CHKD. BY <b>TAN</b>		DATE
		JOB No. <b>10-10</b>	DRG. No. <b>27M19</b>	REV. <b>1</b>

BILL OF MATERIAL						
SHIP	MARK	NO PCS	DESCRIPTION	LENGTH	PIECE MARK	REMARKS
3	27M19	3	PL1/4"X18"	10'-0"		SQ-2 A36

**Avenue Fabricating Inc.**  
 1281 Clough Pike  
 Batavia, OH 45103  
 (513) 752-1911



**SHOP NOTE:**  
 ALL MATERIAL IS PLAIN, ANY CUTS OR  
 COPES OTHER THAN SQUARE CUTS ARE  
 FOR DRAFTING REFERENCE ONLY. MARK  
 ASSEMBY & SUB MARKS FOR SHIPPING

**APPROVER / CONTRACTOR NOTE:**  
 OVERALL DIMENSIONS ARE FOR REFER-  
 ENCE TO REQUEST VERIFICATION OF  
 SUFFICIENT MATERIAL FOR FIELD TRIM &  
 WELDING ROOF MEMBERS REINFORCING  
 HVAC DUCTS & EQUIPMENT, SEE PLANS  
 FOR ASSY MARK.

PHASE				
1	2	3	4	5
0	1	0	0	0

## ONE - ROOF FRAME - 27M2

A	For Approval	06/28/10	TMc	-
REV.	DESCRIPTION	DATE	DWN	CHK

### GENERAL NOTES

MATERIAL: A992 / A36	ELECTRODES: E70XX LH	REF. DRG.	JOB USE
HOLES: 13/16 DIA. U/N	CONN'S.: -		SHOP
SURFACE PREP. SSPC-SP-2 AND PAINT: GREY PRIMER DEVOE NA-195 (U.N.)			APPROVAL

### BILL OF MATERIAL

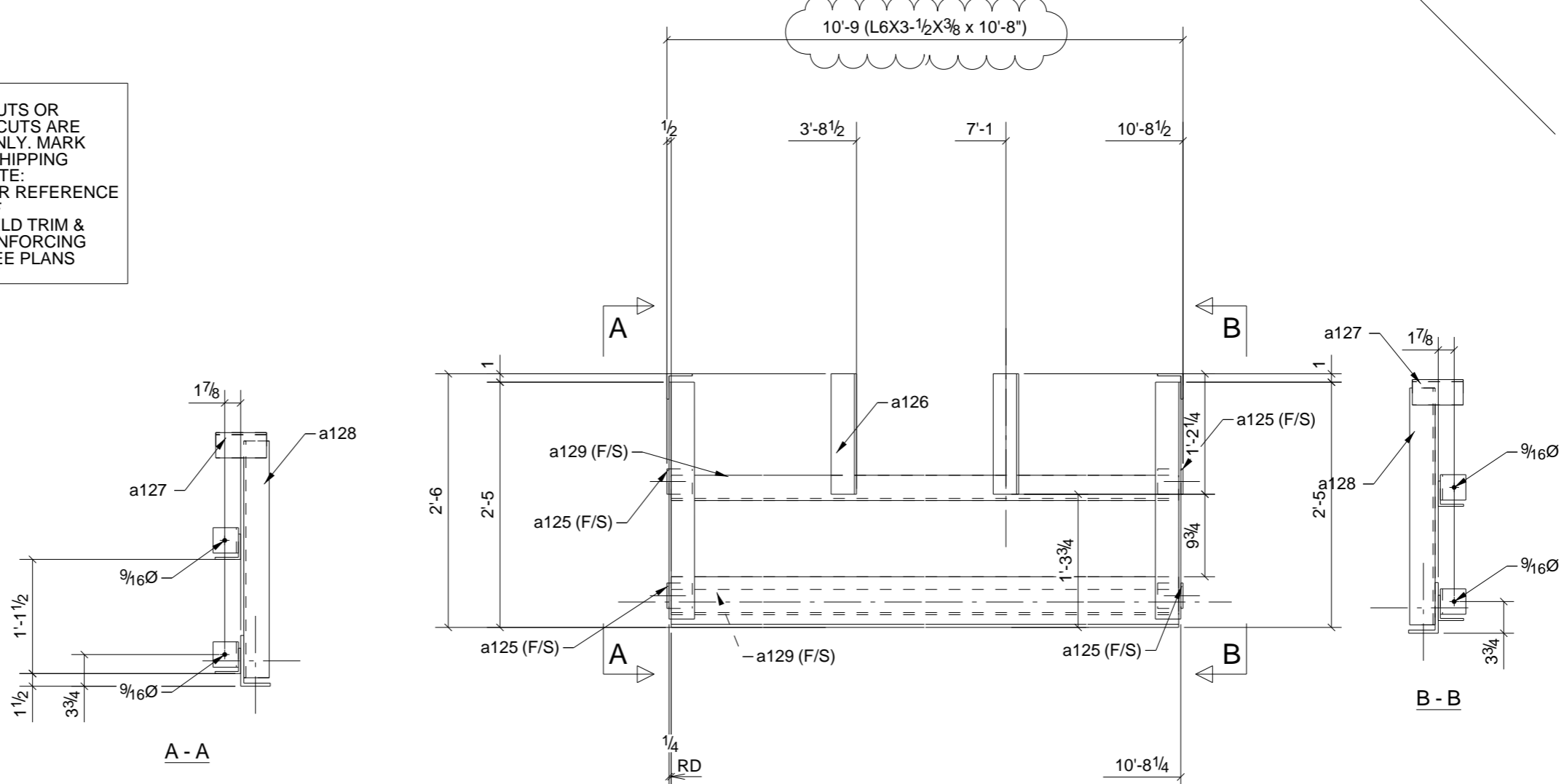
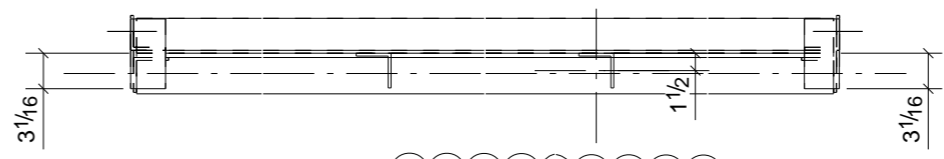
SHIP	MARK	NO PCS	DESCRIPTION	LENGTH	PIECE MARK	REMARKS
1	27M2	1	C5X6.7	6'-8"		SQ-2 A36
		2	L5X3-1/2X5/16	1'-6"	a59	A36 PRIMED
		2	L3X3X1/4	1'-6"	a60	A36 PRIMED
		2	L4X4X1/4	0'-11 1/2"	a105	A36 PRIMED
		1	C5X6.7	6'-8"	c6	A36

DESCRIPTION:	ROOF FRAME
PROJECT NAME	Elda Elementary School Addition/Remodel
LOCATION	Elda Local School District - Hamilton, O
CONTRACTOR	Endeavor

**Avenue Fabricating Inc.**  
 1281 Clough Pike  
 Batavia, OH 45103  
 (513) 752-1911

DRAWN BY	TMc	DATE	06/28/2010
CHKD. BY	TAN	DATE	
JOB No.	10-10	DRG. No.	27M2
		REV.	1

SHOP NOTE:  
 ALL MATERIAL IS PLAIN, ANY CUTS OR  
 COPEs OTHER THAN SQUARE CUTS ARE  
 FOR DRAFTING REFERENCE ONLY. MARK  
 ASSEMBY & SUB MARKS FOR SHIPPING  
 APPROVER / CONTRACTOR NOTE:  
 OVERALL DIMENSIONS ARE FOR REFERENCE  
 TO REQUEST VERIFICATION OF  
 SUFFICIENT MATERIAL FOR FIELD TRIM &  
 WELDING ROOF MEMBERS REINFORCING  
 HVAC DUCTS & EQUIPMENT, SEE PLANS  
 FOR ASSY MARK.



PHASE				
1	2	3	4	5
0	14	0	0	0
0	0	0	0	0
0	0	0	0	0
0	0	0	0	0
0	0	0	0	0
0	0	0	0	0
0	0	0	0	0
0	0	0	0	0
0	0	0	0	0
0	0	0	0	0

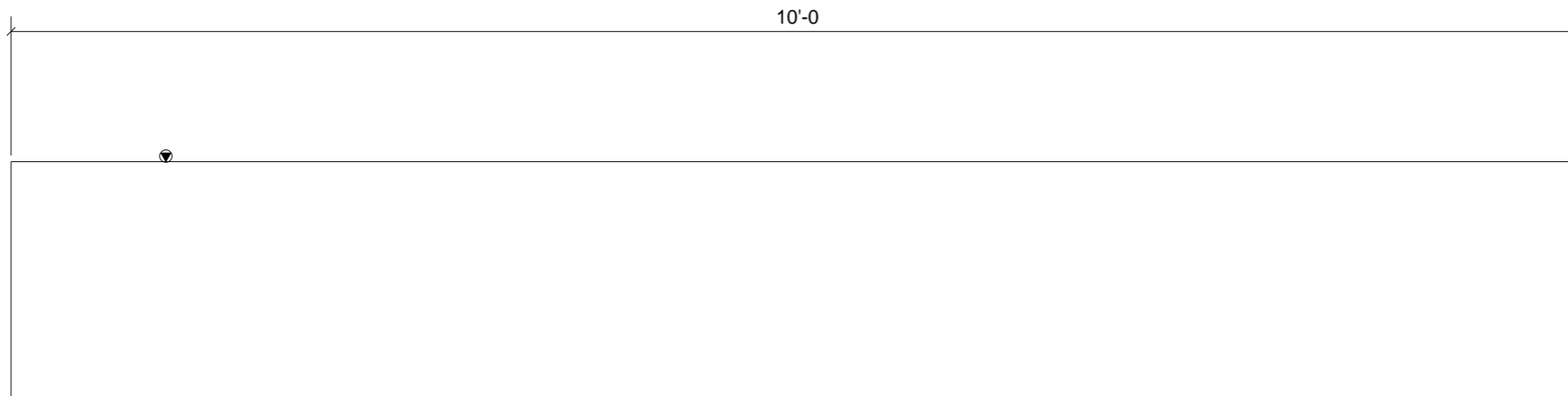
## 14 - ANGLE FRAMES - 27M20

**GALVANIZED**

BILL OF MATERIAL						
SHIP	MARK	NO PCS	DESCRIPTION	LENGTH	PIECE MARK	REMARKS
8	27A31	8	L3X3X1/4	1'-2 1/4"		SQ-2 A36 GALVANIZED
14	27M20	14	L6X3-1/2X3/8	10'-8"		SQ-2 A36 GALVANIZED
		56	L3X3X1/4	0'-3"	a125	A36 GALVANIZED
		14	L3X3X1/4	1'-2 1/4"	a126	A36 GALVANIZED
		28	L3X3X1/4	0'-6"	a127	A36 GALVANIZED
		28	L3X3X1/4	2'-4"	a128	A36 GALVANIZED
		28	L3X3X1/4	10'-8"	a129	A36 GALVANIZED

REV.	DESCRIPTION	DATE	DWN	CHK
<b>GENERAL NOTES</b>				
MATERIAL: A992 / A36		ELECTRODES: E70XX LH		REF. DRG.
HOLES: 13/16 DIA. U/N		CONN'S: -		
SURFACE PREP. SSPC-SP-2				
AND PAINT: GREY PRIMER DEVOE NA-195 (U.N.)				
DESCRIPTION: WINDOW FRAME		JOB USE		
PROJECT NAME: Elda Elementary School Addition/Remodel		SHOP		
LOCATION: Elda Local School District - Hamilton, O		APPROVAL		
CONTRACTOR: Endeavor				
<b>Avenue Fabricating Inc.</b> 1281 Clough Pike Batavia, OH 45103 (513) 752-1911		DRAWN BY	DATE	
		CHKD. BY	DATE	
		JOB No. 10-10	DRG. No. 27M20	REV. 0





SHOP NOTE:  
 ALL MATERIAL IS PLAIN, ANY CUTS OR  
 COPEs OTHER THAN SQUARE CUTS ARE  
 FOR DRAFTING REFERENCE ONLY. MARK  
 ASSEMBY & SUB MARKS FOR SHIPPING

APPROVER / CONTRACTOR NOTE:  
 VERIFICATION OF SUFFICIENT MATERIAL  
 FOR FIELD WELDING TO EXISTING JOIST  
 IS REQUESTED, SEE PLANS  
 FOR ASSY MARK.

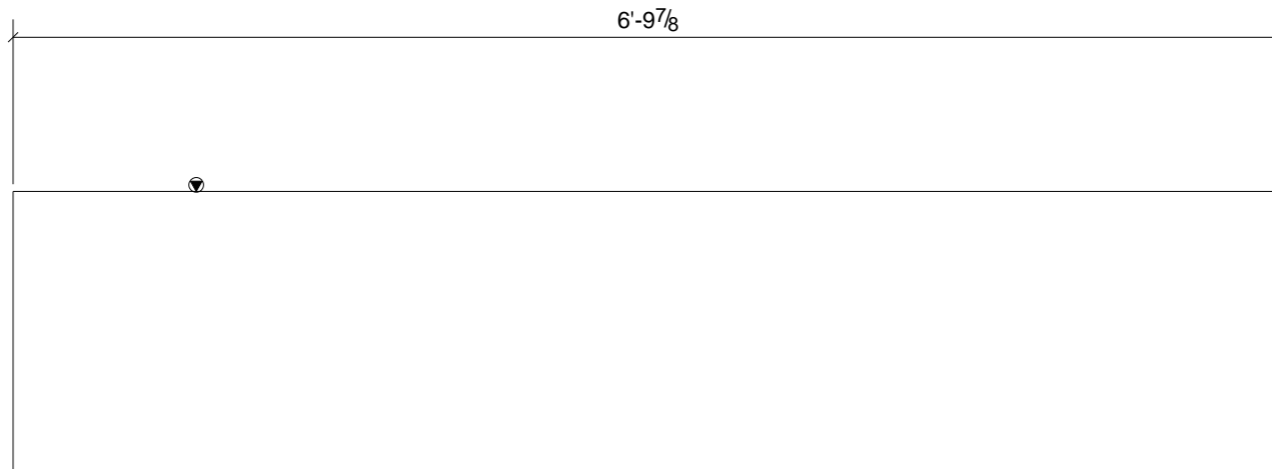
PHASE				
1	2	3	4	5
0	7	0	0	0

## 7 - PLATES - 27M3

A	For Approval	06/28/10	TMc	-
REV.	DESCRIPTION	DATE	DWN	CHK
<b>GENERAL NOTES</b>			JOB USE	
MATERIAL: A992 / A36	ELECTRODES: E70XX LH	REF. DRG.	SHOP	
HOLES: 13/16 DIA. U/N	CONN'S.: -		APPROVAL	
SURFACE PREP. SSPC-SP-2 AND PAINT: GREY PRIMER DEVOE NA-195 (U.N.)				
DESCRIPTION: PLATE				
PROJECT NAME Eida Elementary School Addition/Remodel				
LOCATION Eida Local School District - Hamilton, O				
CONTRACTOR Endeavor				
<b>Avenue Fabricating Inc.</b> 1281 Clough Pike Batavia, OH 45103 (513) 752-1911		DRAWN BY		DATE
		TMc		06/28/2010
		CHKD. BY		DATE
		TAN		
JOB No.		DRG. No.	REV.	
10-10		27M3	1	

### BILL OF MATERIAL

SHIP	MARK	NO PCS	DESCRIPTION	LENGTH	PIECE MARK	REMARKS
7	27M3	7	PL1/4"X18"	10'-0"		SQ-2 A36



SHOP NOTE:  
 ALL MATERIAL IS PLAIN, ANY CUTS OR  
 COPEs OTHER THAN SQUARE CUTS ARE  
 FOR DRAFTING REFERENCE ONLY. MARK  
 ASSEMBY & SUB MARKS FOR SHIPPING

APPROVER / CONTRACTOR NOTE:  
 VERIFICATION OF SUFFICIENT MATERIAL  
 FOR FIELD WELDING TO EXISTING JOIST  
 IS REQUESTED, SEE PLANS  
 FOR ASSY MARK.

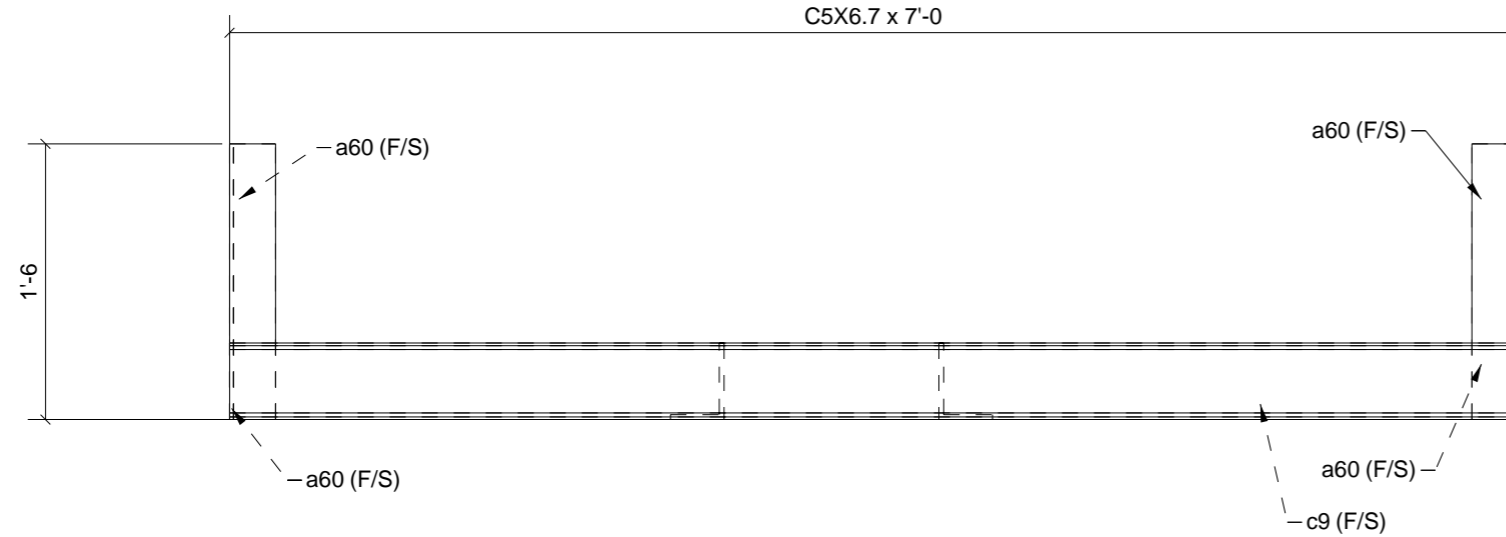
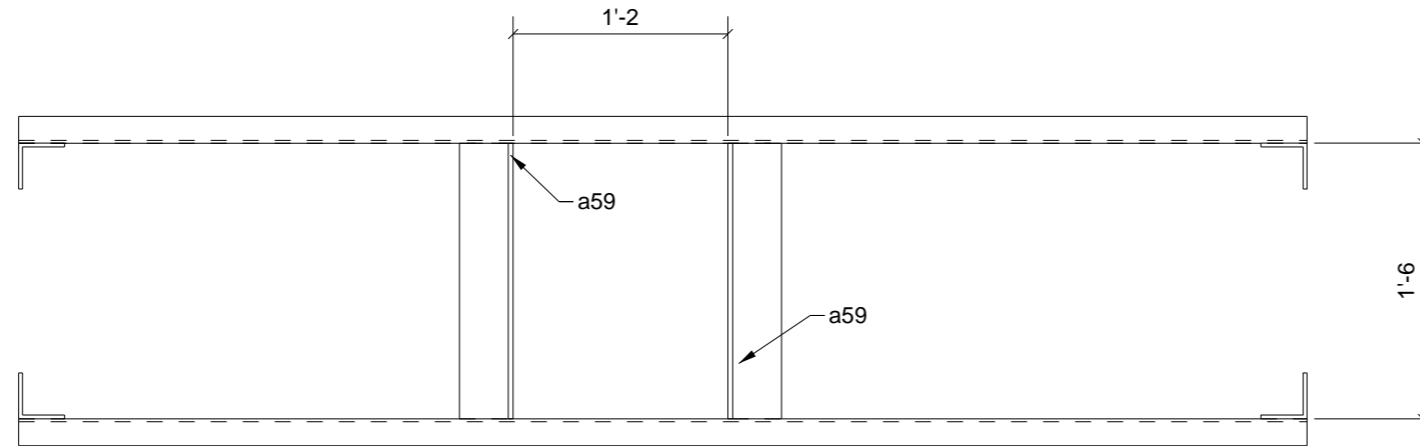
PHASE				
1	2	3	4	5
0	2	0	0	0

**2 - PLATES - 27M4**

A	For Approval	06/28/10	TMc	-
REV.	DESCRIPTION	DATE	DWN	CHK
<b>GENERAL NOTES</b>			JOB USE	
MATERIAL: A992 / A36	ELECTRODES: E70XX LH	REF. DRG.	SHOP	
HOLES: 13/16 DIA. U/N	CONN'S.: -		APPROVAL	
SURFACE PREP. <b>SSPC-SP-2</b> AND PAINT: <b>GREY PRIMER DEVOE NA-195 (U.N.)</b>				
DESCRIPTION: <b>PLATE</b>				
PROJECT NAME <b>Elda Elementary School Addition/Remodel</b>				
LOCATION <b>Elda Local School District - Hamilton, O</b>				
CONTRACTOR <b>Endeavor</b>				
<b>Avenue Fabricating Inc.</b> 1281 Clough Pike Batavia, OH 45103 (513) 752-1911		DRAWN BY	DATE	
		TMc	06/28/2010	
		CHKD. BY	DATE	
		TAN		
		JOB No.	DRG. No.	REV.
		10-10	27M4	1

**BILL OF MATERIAL**

SHIP	MARK	NO PCS	DESCRIPTION	LENGTH	PIECE MARK	REMARKS
2	27M4	2	PL1/4"X18"	6'-9 7/8"		SQ-2 A36



SHOP NOTE:  
 ALL MATERIAL IS PLAIN, ANY CUTS OR  
 COPES OTHER THAN SQUARE CUTS ARE  
 FOR DRAFTING REFERENCE ONLY. MARK  
 ASSEMBLY & SUB MARKS FOR SHIPPING

APPROVER / CONTRACTOR NOTE:  
 OVERALL DIMENSIONS ARE FOR REFER-  
 ENCE TO REQUEST VERIFICATION OF  
 SUFFICIENT MATERIAL FOR FIELD TRIM &  
 WELDING ROOF MEMBERS REINFORCING  
 HVAC DUCTS & EQUIPMENT, SEE PLANS  
 FOR ASSY MARK.

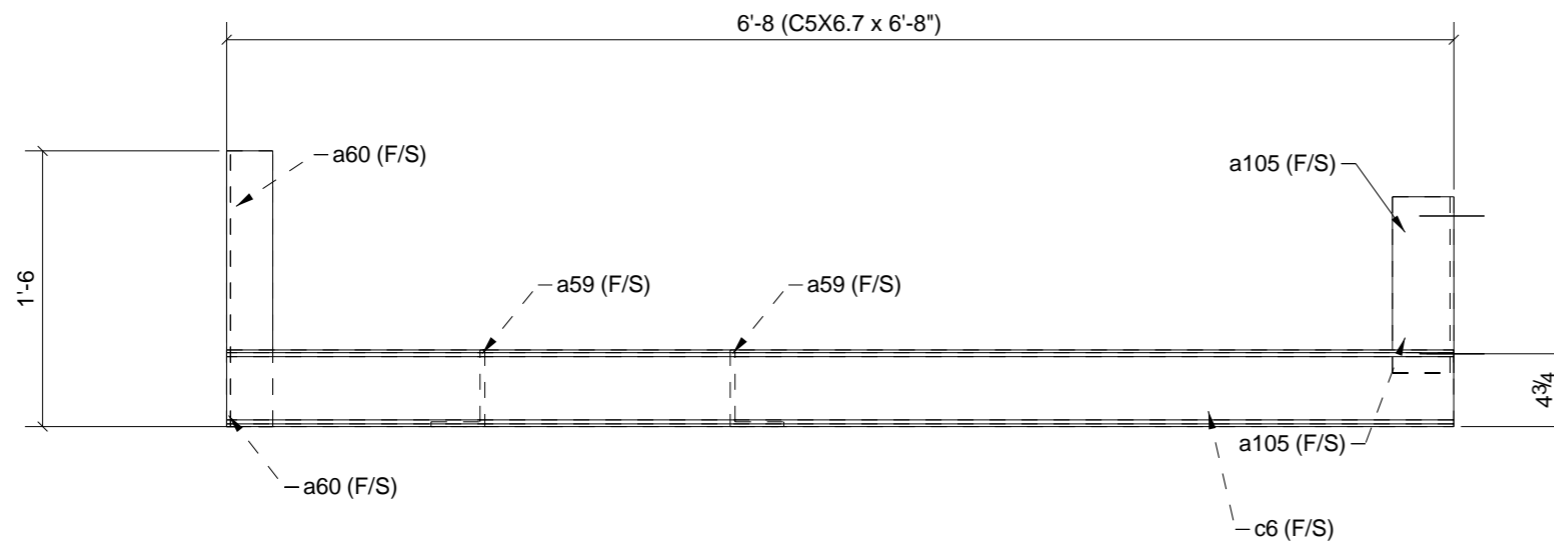
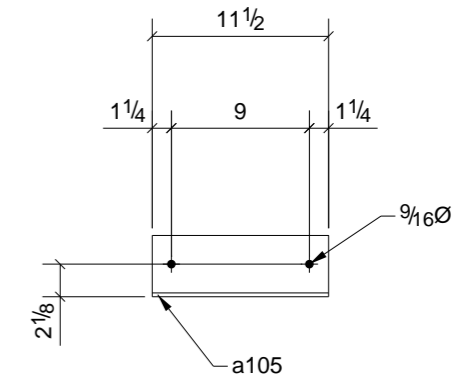
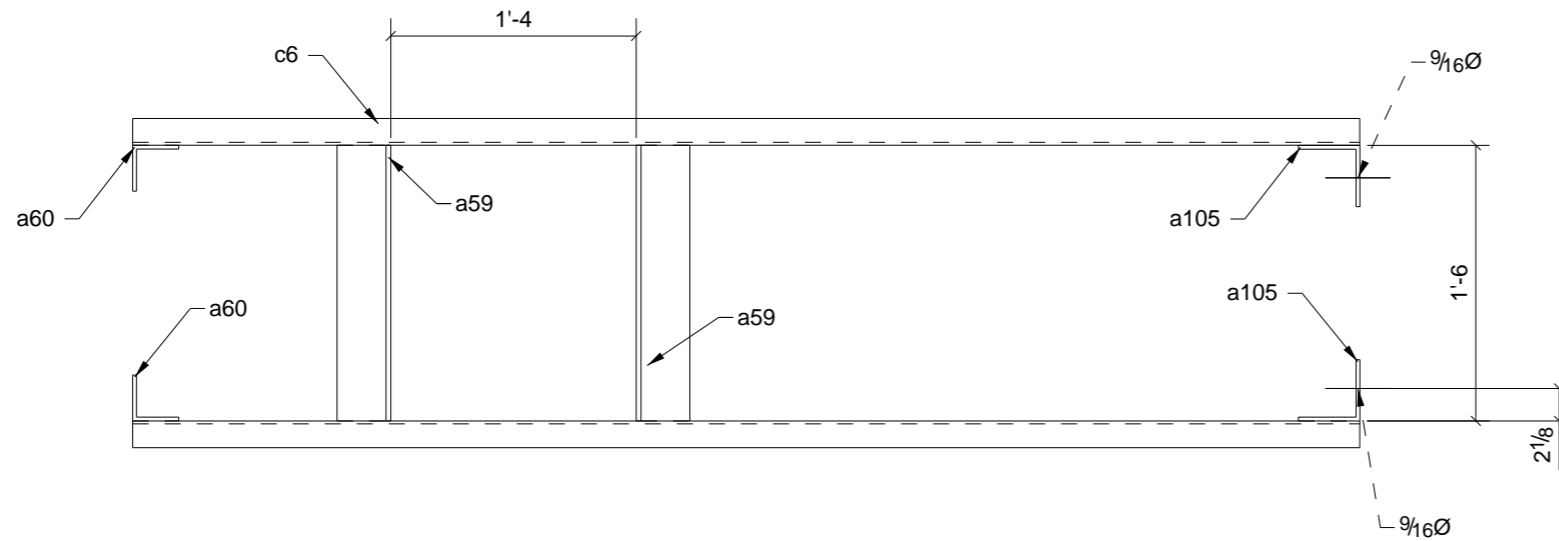
**ONE - ROOF FRAME - 27M5**

PHASE				
1	2	3	4	5
0	1	0	0	0

A	For Approval	06/28/10	TMc	-
REV.	DESCRIPTION	DATE	DWN	CHK
<b>GENERAL NOTES</b>		JOB USE		
MATERIAL: A992 / A36	ELECTRODES: E70XX LH	REF. DRG.		
HOLES: 13/16 DIA. U/N	CONN'S.: -	SHOP		
SURFACE PREP. <b>SSPC-SP-2</b> AND PAINT: <b>GREY PRIMER DEVOE NA-195 (U.N.)</b>		APPROVAL		
DESCRIPTION: <b>ROOF FRAME</b>				
PROJECT NAME: Elda Elementary School Addition/Remodel				
LOCATION: Elda Local School District - Hamilton, O				
CONTRACTOR: Endeavor				
<b>Avenue Fabricating Inc.</b> 1281 Clough Pike Batavia, OH 45103 (513) 752-1911		DRAWN BY		DATE
		TMc		06/28/2010
		CHKD. BY		DATE
		TAN		
JOB No.		DRG. No.	REV.	
10-10		27M5	1	

**BILL OF MATERIAL**

SHIP	MARK	NO PCS	DESCRIPTION	LENGTH	PIECE MARK	REMARKS
1	27M5	1	C5X6.7	7'-0"		SQ-2 A36
		2	L5X3-1/2X5/16	1'-6"	a59	A36 PRIMED
		4	L3X3X1/4	1'-6"	a60	A36 PRIMED
		1	C5X6.7	7'-0"	c9	A36



SHOP NOTE:  
ALL MATERIAL IS PLAIN, ANY CUTS OR  
COPIES OTHER THAN SQUARE CUTS ARE  
FOR DRAFTING REFERENCE ONLY. MARK  
ASSEMBLY & SUB MARKS FOR SHIPPING

APPROVER / CONTRACTOR NOTE:  
OVERALL DIMENSIONS ARE FOR REFER-  
ENCE TO REQUEST VERIFICATION OF  
SUFFICIENT MATERIAL FOR FIELD TRIM &  
WELDING ROOF MEMBERS REINFORCING  
HVAC DUCTS & EQUIPMENT, SEE PLANS  
FOR ASSY MARK.

PHASE				
1	2	3	4	5
0	1	0	0	0

## ONE - ROOF FRAME - 27M6

A	For Approval	06/28/10	TMc	-
REV.	DESCRIPTION	DATE	DWN	CHK

### GENERAL NOTES

MATERIAL: A992 / A36	ELECTRODES: E70XX LH	REF. DRG.	JOB USE
HOLES: 13/16 DIA. U/N	CONN'S.: -		SHOP
SURFACE PREP. SSPC-SP-2 AND PAINT: GREY PRIMER DEVOE NA-195 (U.N.)			APPROVAL

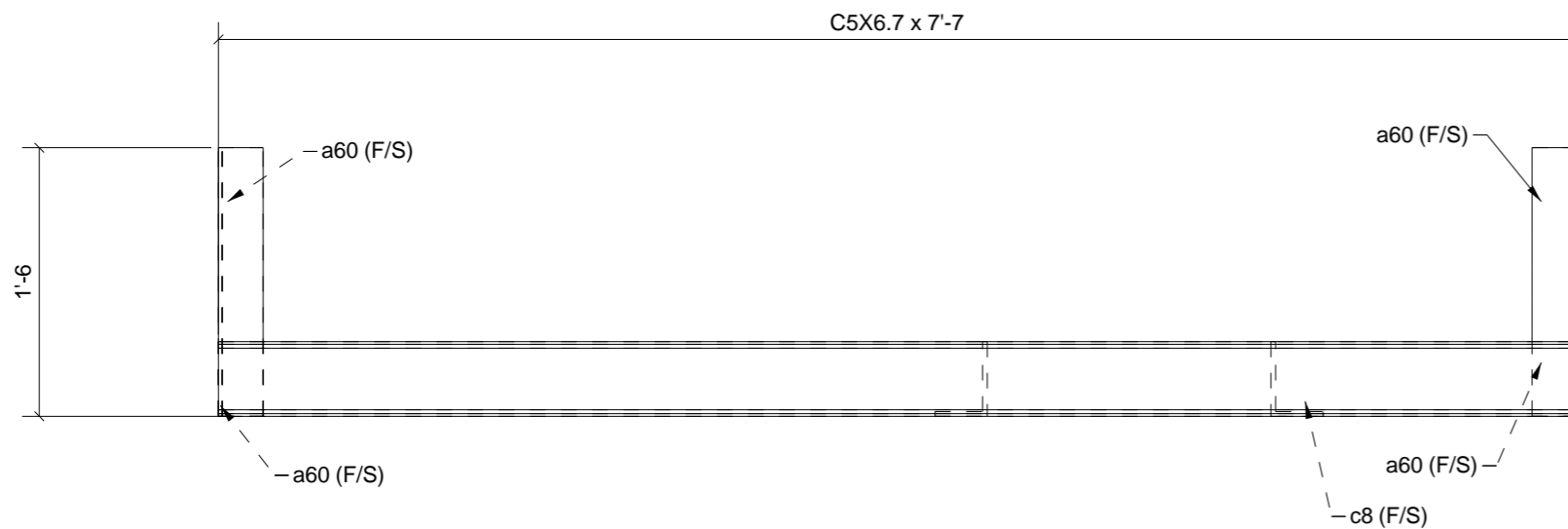
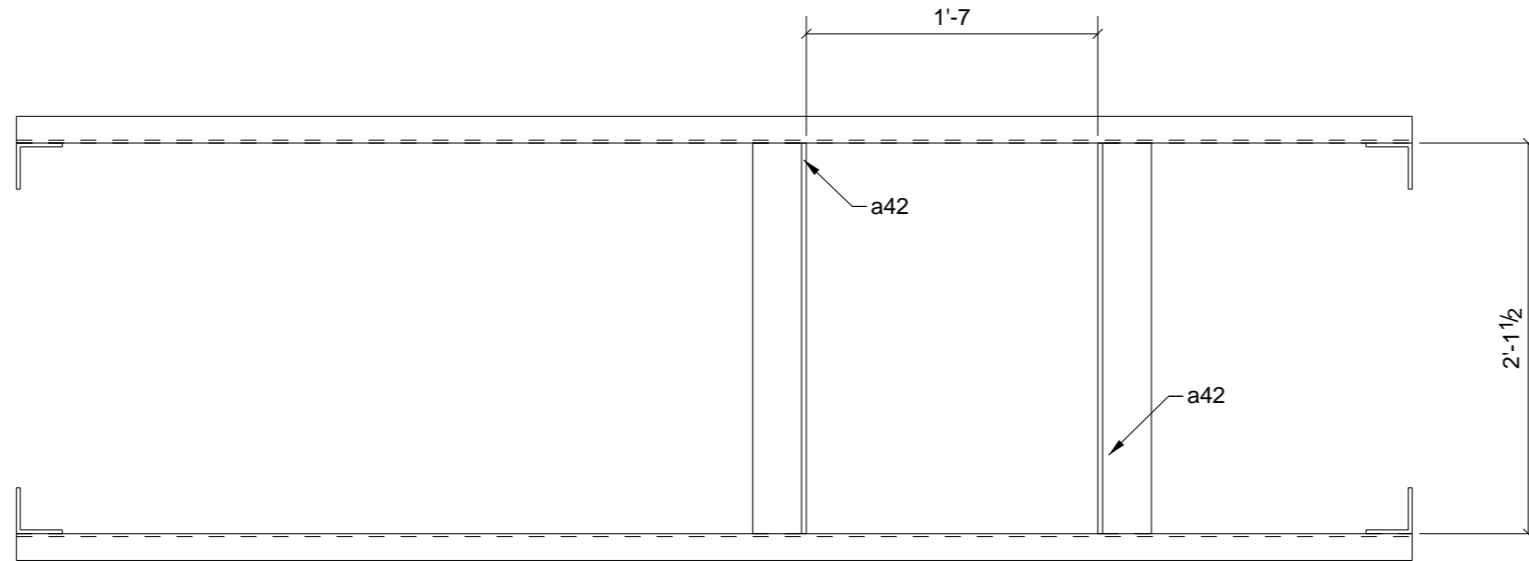
### BILL OF MATERIAL

SHIP	MARK	NO PCS	DESCRIPTION	LENGTH	PIECE MARK	REMARKS
1	27M6	1	C5X6.7	6'-8"		SQ-2 A36
		2	L5X3-1/2X5/16	1'-6"	a59	A36 PRIMED
		2	L3X3X1/4	1'-6"	a60	A36 PRIMED
		2	L4X4X1/4	0'-11 1/2"	a105	A36 PRIMED
		1	C5X6.7	6'-8"	c6	A36

DESCRIPTION:	ROOF FRAME
PROJECT NAME	Elda Elementary School Addition/Remodel
LOCATION	Elda Local School District - Hamilton, O
CONTRACTOR	Endeavor

**Avenue Fabricating Inc.**  
1281 Clough Pike  
Batavia, OH 45103  
(513) 752-1911

DRAWN BY TMc	DATE 06/28/2010
CHKD. BY TAN	DATE
JOB No. 10-10	DRG. No. 27M6
	REV. 1



SHOP NOTE:  
ALL MATERIAL IS PLAIN, ANY CUTS OR  
COPIES OTHER THAN SQUARE CUTS ARE  
FOR DRAFTING REFERENCE ONLY. MARK  
ASSEMBLY & SUB MARKS FOR SHIPPING

APPROVER / CONTRACTOR NOTE:  
OVERALL DIMENSIONS ARE FOR REFER-  
ENCE TO REQUEST VERIFICATION OF  
SUFFICIENT MATERIAL FOR FIELD TRIM &  
WELDING ROOF MEMBERS REINFORCING  
HVAC DUCTS & EQUIPMENT, SEE PLANS  
FOR ASSY MARK.

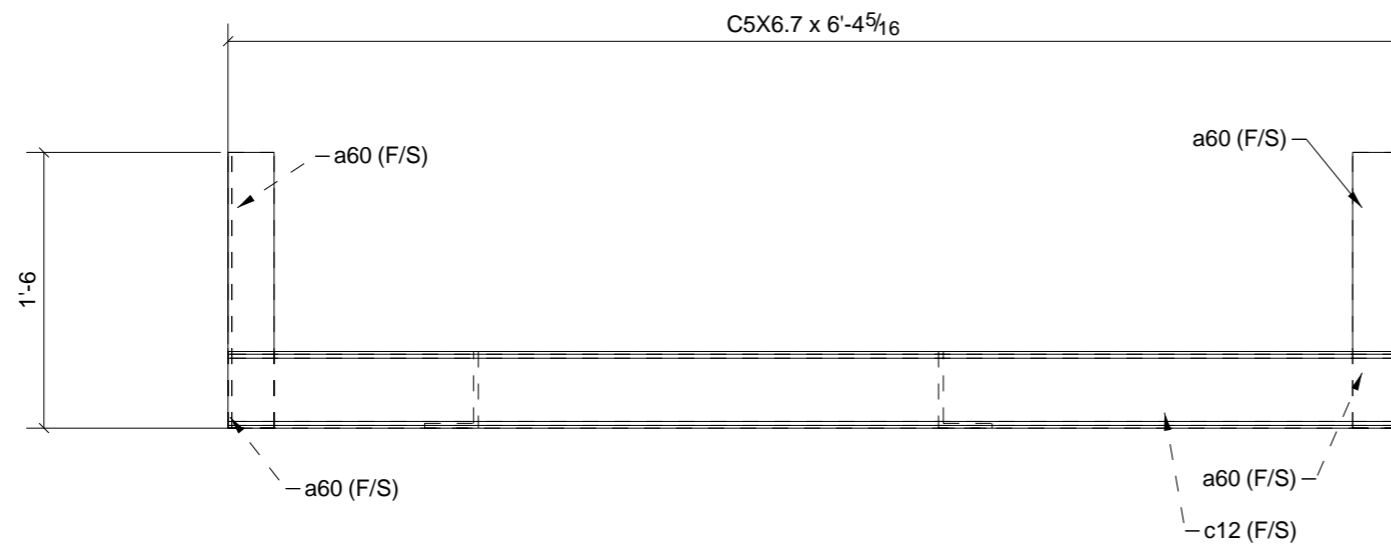
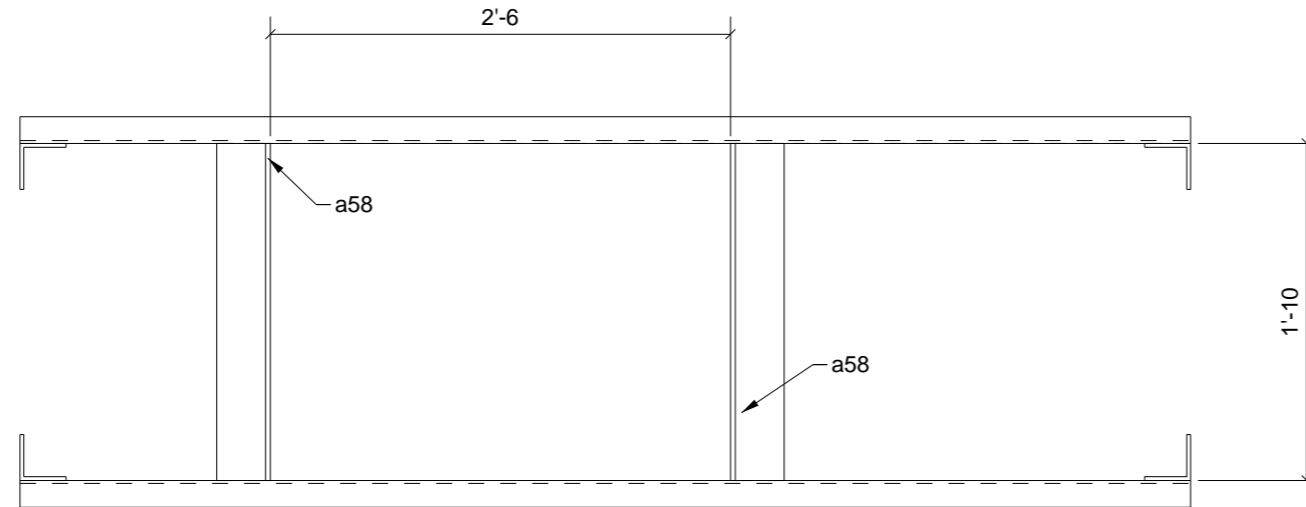
### ONE - ROOF FRAME - 27M7

PHASE				
1	2	3	4	5
0	1	0	0	0

A	For Approval	06/28/10	TMc	-
REV.	DESCRIPTION	DATE	DWN	CHK
<b>GENERAL NOTES</b>		JOB USE		
MATERIAL: A992 / A36	ELECTRODES: E70XX LH	REF. DRG.		
HOLES: 13/16 DIA. U/N	CONN'S.: -	SHOP		
SURFACE PREP. SSPC-SP-2 AND PAINT: GREY PRIMER DEVOE NA-195 (U.N.)		APPROVAL		
DESCRIPTION: ROOF FRAME				
PROJECT NAME Elda Elementary School Addition/Remodel				
LOCATION Elda Local School District - Hamilton, O				
CONTRACTOR Endeavor				
<b>Avenue Fabricating Inc.</b> 1281 Clough Pike Batavia, OH 45103 (513) 752-1911		DRAWN BY		DATE
		TMc		06/28/2010
		CHKD. BY		DATE
		TAN		
JOB No.		DRG. No.	REV.	
10-10		27M7	1	

### BILL OF MATERIAL

SHIP	MARK	NO PCS	DESCRIPTION	LENGTH	PIECE MARK	REMARKS
1	27M7	1	C5X6.7	7'-7"		SQ-2 A36
		2	L5X3-1/2X5/16	2'-1 1/2"	a42	A36 PRIMED
		4	L3X3X1/4	1'-6"	a60	A36 PRIMED
		1	C5X6.7	7'-7"	c8	A36



SHOP NOTE:  
ALL MATERIAL IS PLAIN, ANY CUTS OR  
COPIES OTHER THAN SQUARE CUTS ARE  
FOR DRAFTING REFERENCE ONLY. MARK  
ASSEMBLY & SUB MARKS FOR SHIPPING

APPROVER / CONTRACTOR NOTE:  
OVERALL DIMENSIONS ARE FOR REFER-  
ENCE TO REQUEST VERIFICATION OF  
SUFFICIENT MATERIAL FOR FIELD TRIM &  
WELDING ROOF MEMBERS REINFORCING  
HVAC DUCTS & EQUIPMENT, SEE PLANS  
FOR ASSY MARK.

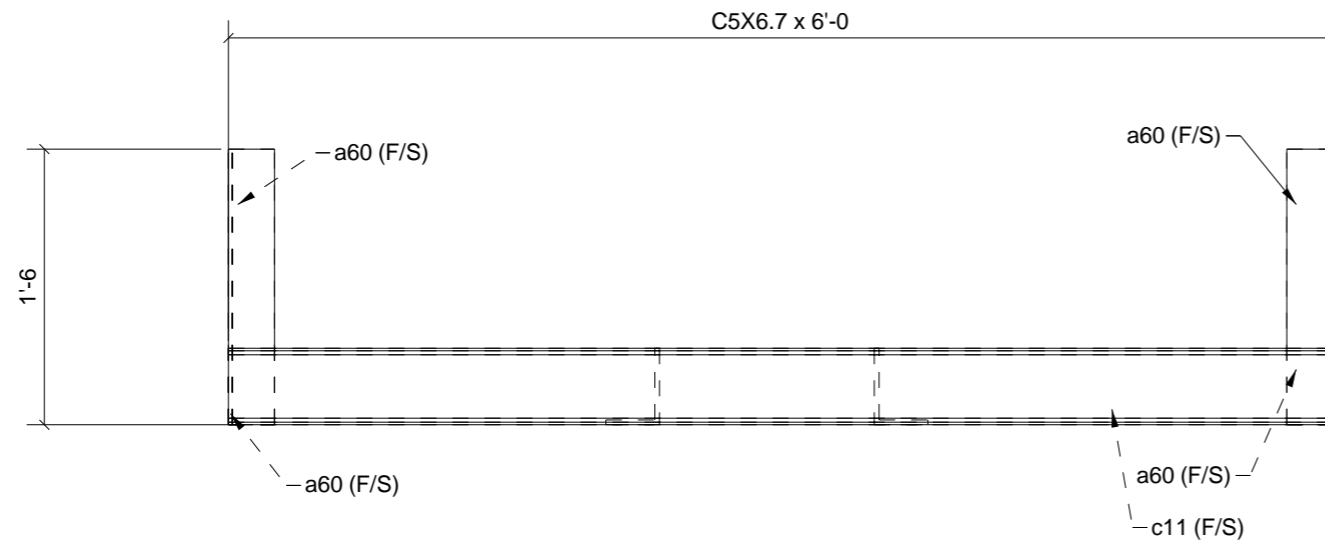
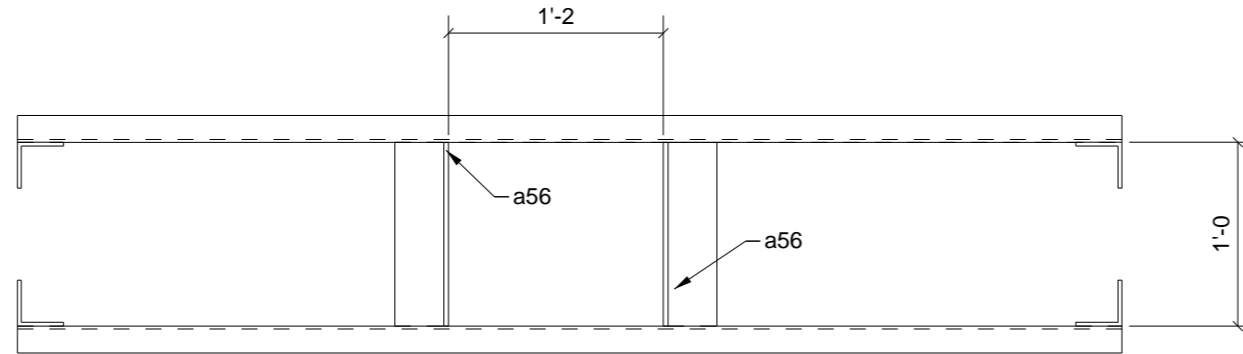
**ONE - ROOF FRAME - 27M8**

PHASE				
1	2	3	4	5
0	1	0	0	0

A	For Approval	06/28/10	TMc	-
REV.	DESCRIPTION	DATE	DWN	CHK
<b>GENERAL NOTES</b>		JOB USE		
MATERIAL: A992 / A36	ELECTRODES: E70XX LH	REF. DRG.		
HOLES: 13/16 DIA. U/N	CONN'S.: -	SHOP		
SURFACE PREP. <b>SSPC-SP-2</b> AND PAINT: <b>GREY PRIMER DEVOE NA-195 (U.N.)</b>		APPROVAL		
DESCRIPTION: <b>ROOF FRAME</b>				
PROJECT NAME: <b>Elda Elementary School Addition/Remodel</b>				
LOCATION: <b>Elda Local School District - Hamilton, O</b>				
CONTRACTOR: <b>Endeavor</b>				
<b>Avenue Fabricating Inc.</b> 1281 Clough Pike Batavia, OH 45103 (513) 752-1911		DRAWN BY		DATE
		TMc		06/28/2010
		CHKD. BY		DATE
		TAN		
JOB No.		DRG. No.	REV.	
10-10		27M8	1	

**BILL OF MATERIAL**

SHIP	MARK	NO PCS	DESCRIPTION	LENGTH	PIECE MARK	REMARKS
1	27M8	1	C5X6.7	6'-4 5/16"		SQ-2 A36
		2	L5X3-1/2X5/16	1'-10"	a58	A36 PRIMED
		4	L3X3X1/4	1'-6"	a60	A36 PRIMED
		1	C5X6.7	6'-4 5/16"	c12	A36



SHOP NOTE:  
 ALL MATERIAL IS PLAIN, ANY CUTS OR  
 COPIES OTHER THAN SQUARE CUTS ARE  
 FOR DRAFTING REFERENCE ONLY. MARK  
 ASSEMBLY & SUB MARKS FOR SHIPPING

APPROVER / CONTRACTOR NOTE:  
 OVERALL DIMENSIONS ARE FOR REFER-  
 ENCE TO REQUEST VERIFICATION OF  
 SUFFICIENT MATERIAL FOR FIELD TRIM &  
 WELDING ROOF MEMBERS REINFORCING  
 HVAC DUCTS & EQUIPMENT, SEE PLANS  
 FOR ASSY MARK.

PHASE				
1	2	3	4	5
0	1	0	0	0

## ONE - ROOF FRAME - 27M9

A	For Approval	06/28/10	TMc	-
REV.	DESCRIPTION	DATE	DWN	CHK
<b>GENERAL NOTES</b>		JOB USE		
MATERIAL: A992 / A36	ELECTRODES: E70XX LH	REF. DRG.		
HOLES: 13/16 DIA. U/N	CONN'S.: -	SHOP		
SURFACE PREP. SSPC-SP-2 AND PAINT: GREY PRIMER DEVOE NA-195 (U.N.)		APPROVAL		
DESCRIPTION: ROOF FRAME				
PROJECT NAME Elda Elementary School Addition/Remodel				
LOCATION Elda Local School District - Hamilton, O				
CONTRACTOR Endeavor				
<b>Avenue Fabricating Inc.</b> 1281 Clough Pike Batavia, OH 45103 (513) 752-1911		DRAWN BY		DATE
		TMc		06/28/2010
		CHKD. BY		DATE
		TAN		
JOB No.		DRG. No.	REV.	
10-10		27M9	1	

## BILL OF MATERIAL

SHIP	MARK	NO PCS	DESCRIPTION	LENGTH	PIECE MARK	REMARKS
1	27M9	1	C5X6.7	6'-0"		SQ-2 A36
		2	L5X3-1/2X5/16	1'-0"	a56	A36 PRIMED
		4	L3X3X1/4	1'-6"	a60	A36 PRIMED
		1	C5X6.7	6'-0"	c11	A36